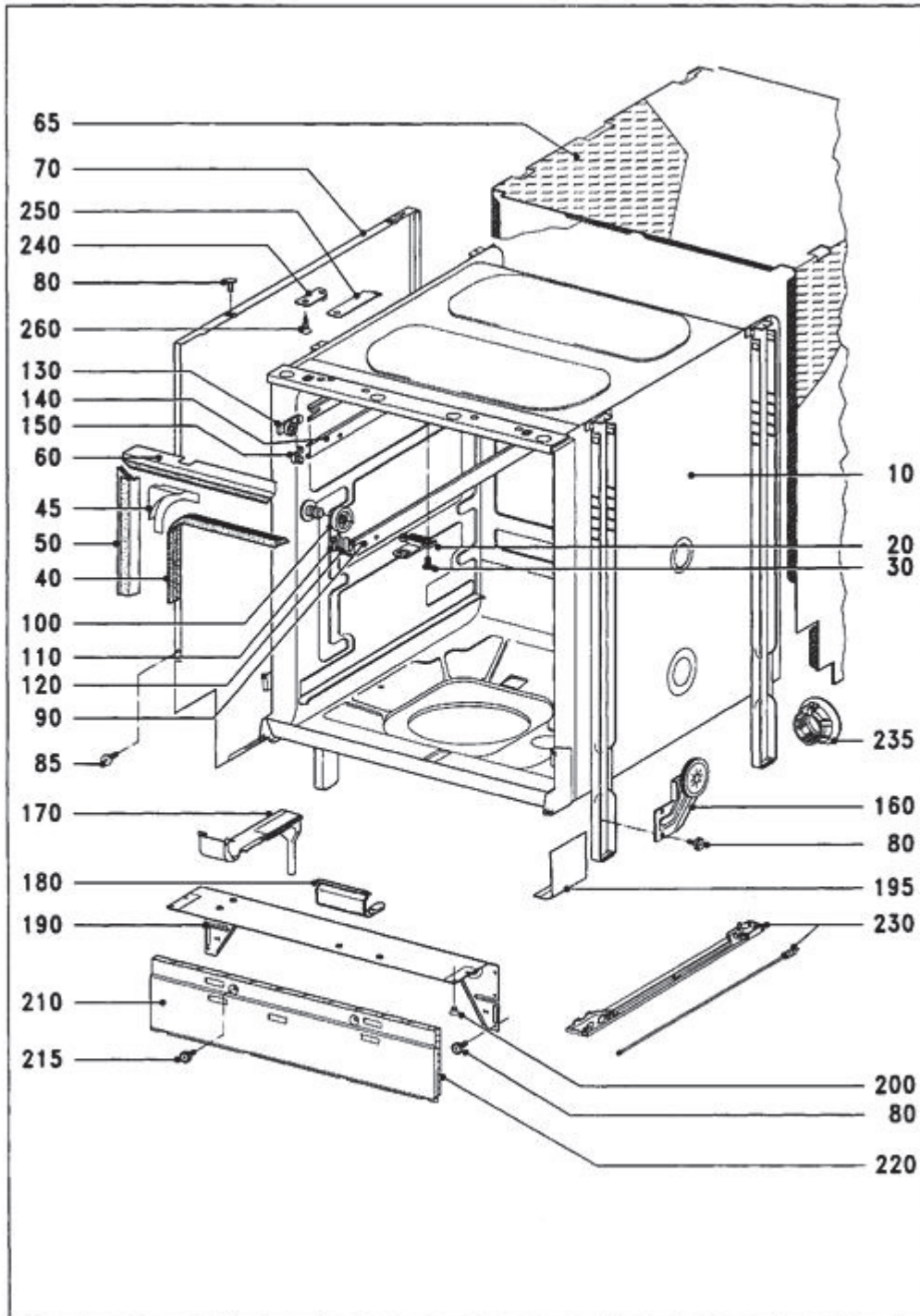
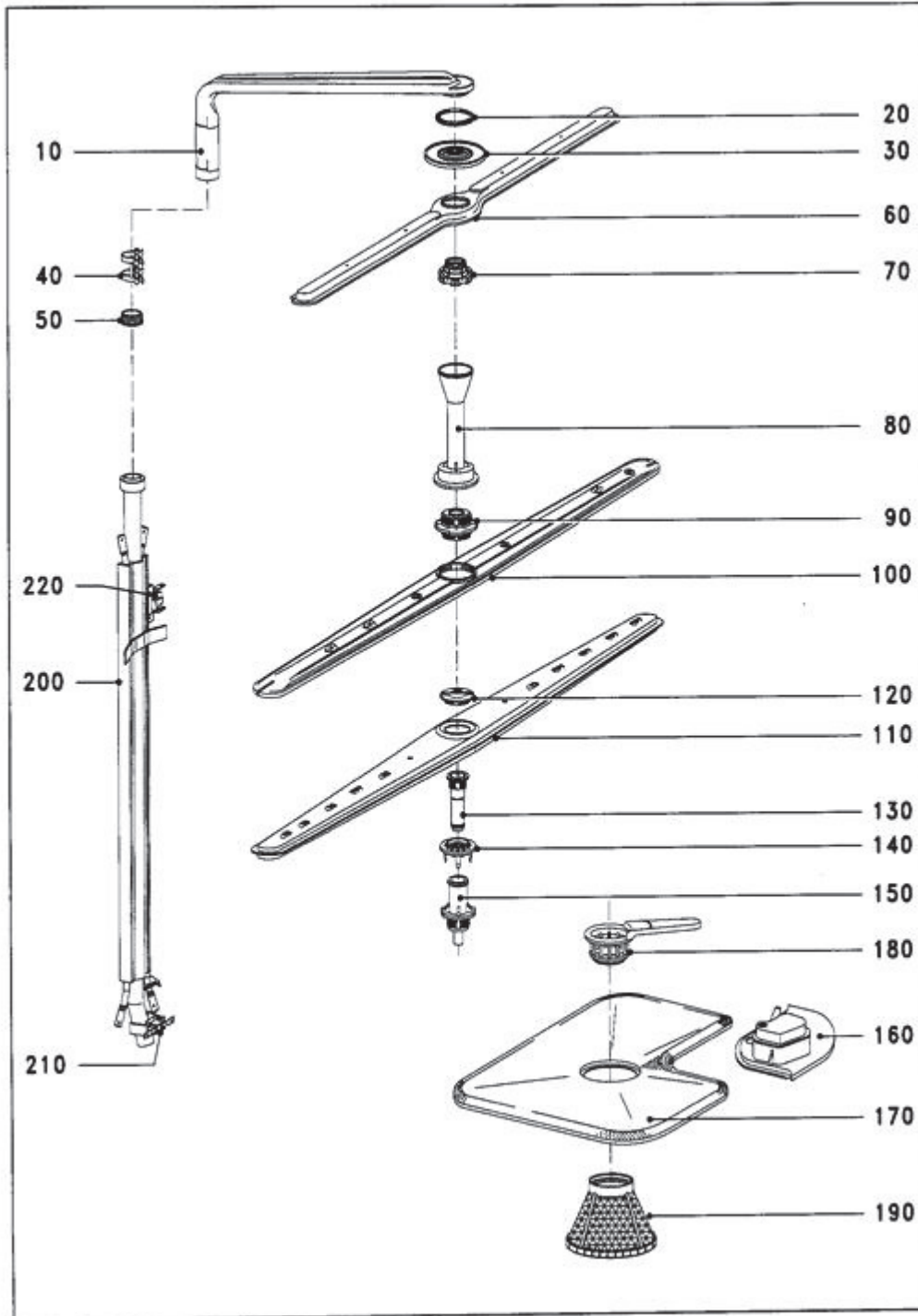


010 INNER CABINET, SIDE PANEL



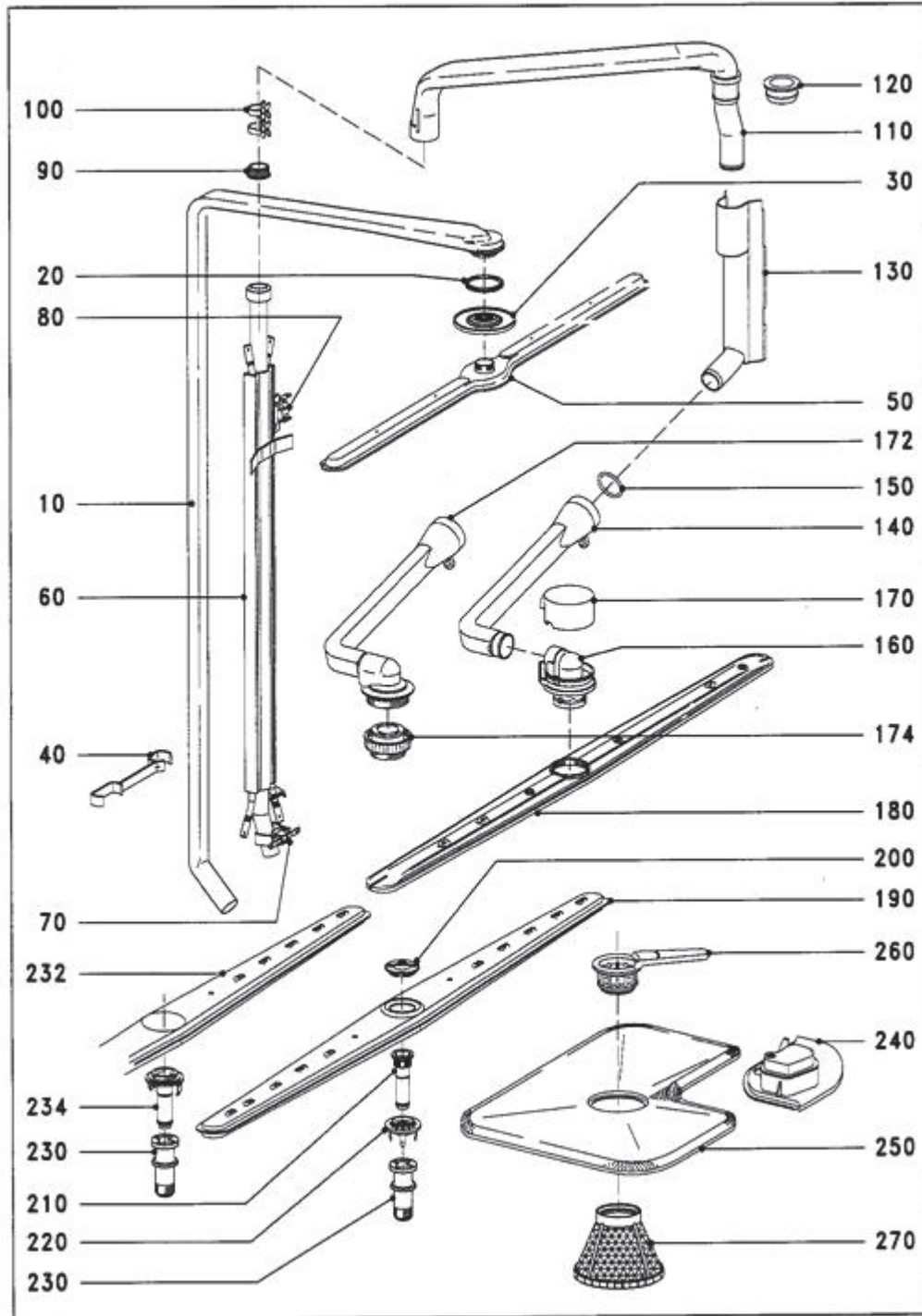
5144500-010

020 SPRAY SYSTEM-HEATER



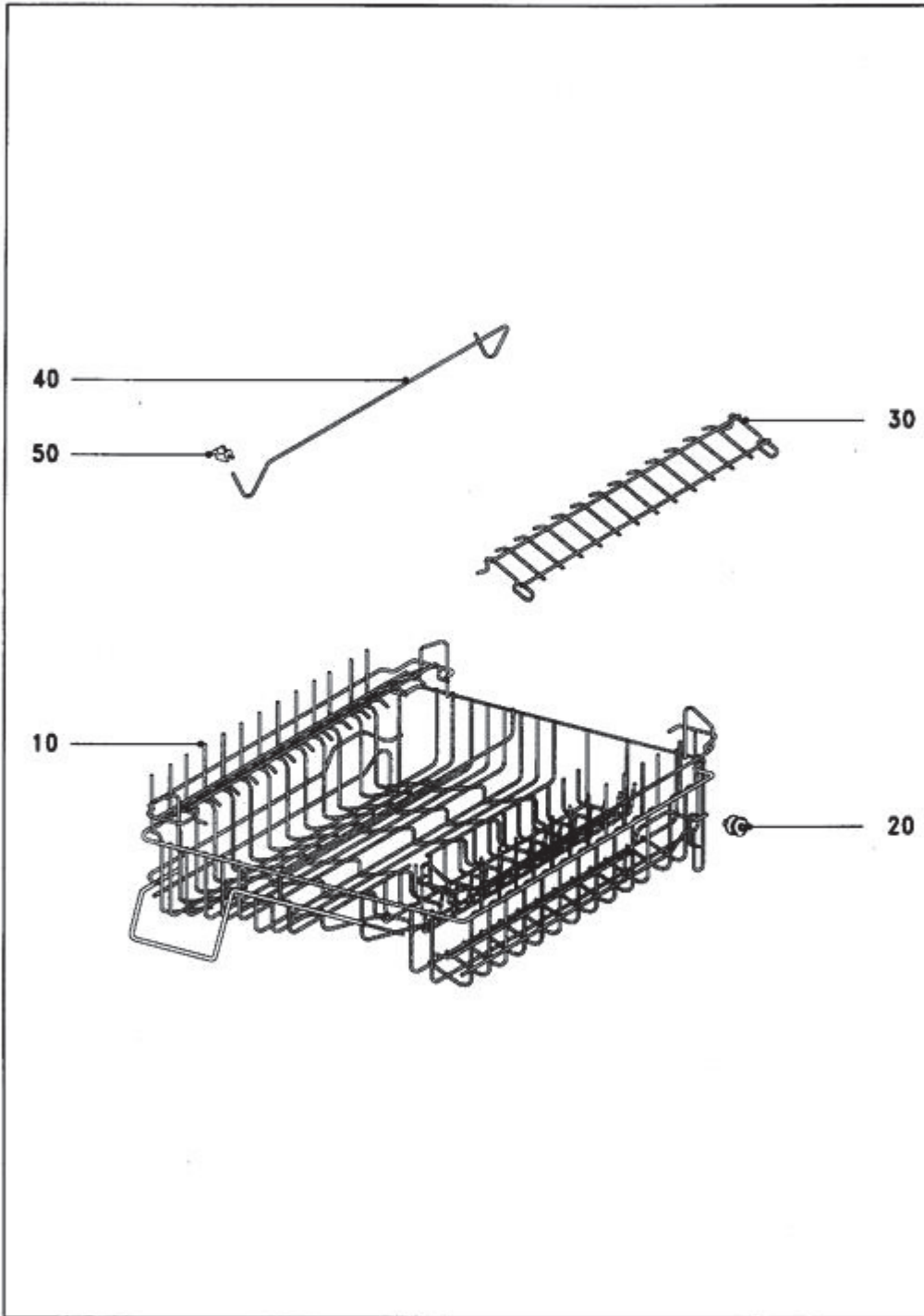
4344410-020

022 SPRAY SYSTEM-HEATER FROM INDEX 19



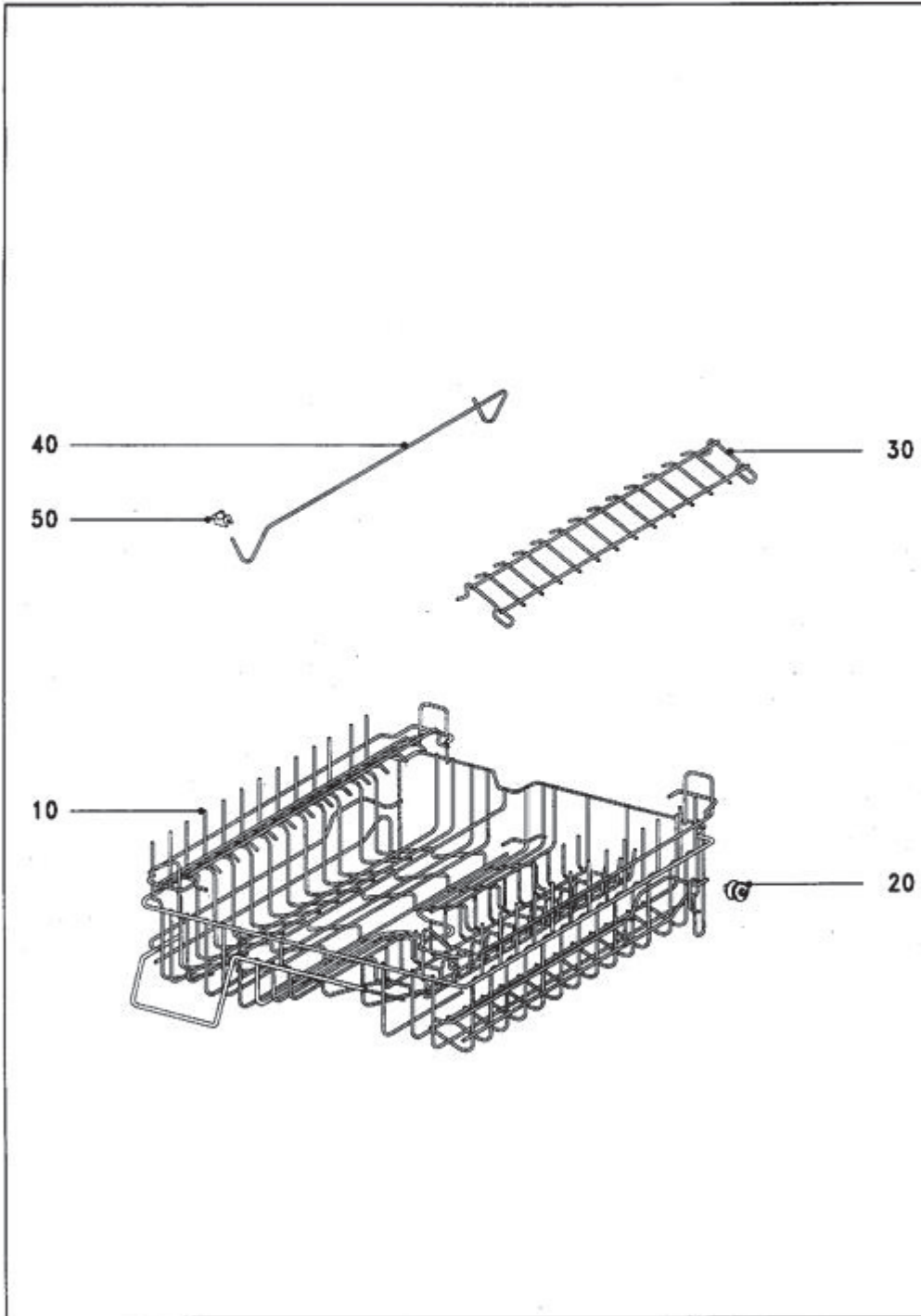
4344410-022

025 Top basket



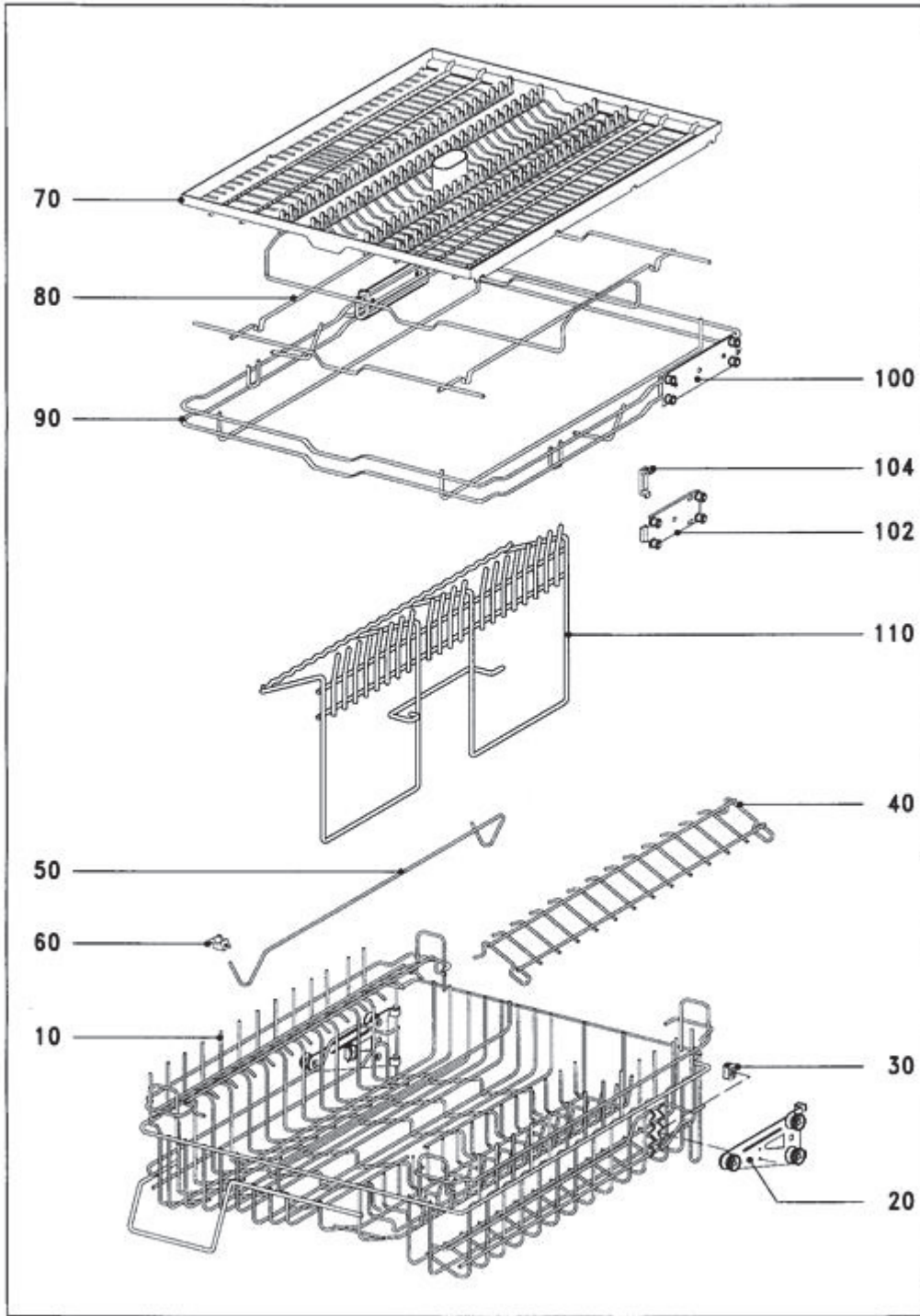
4559190-040

027 TOP BASKET FROM INDEX 19



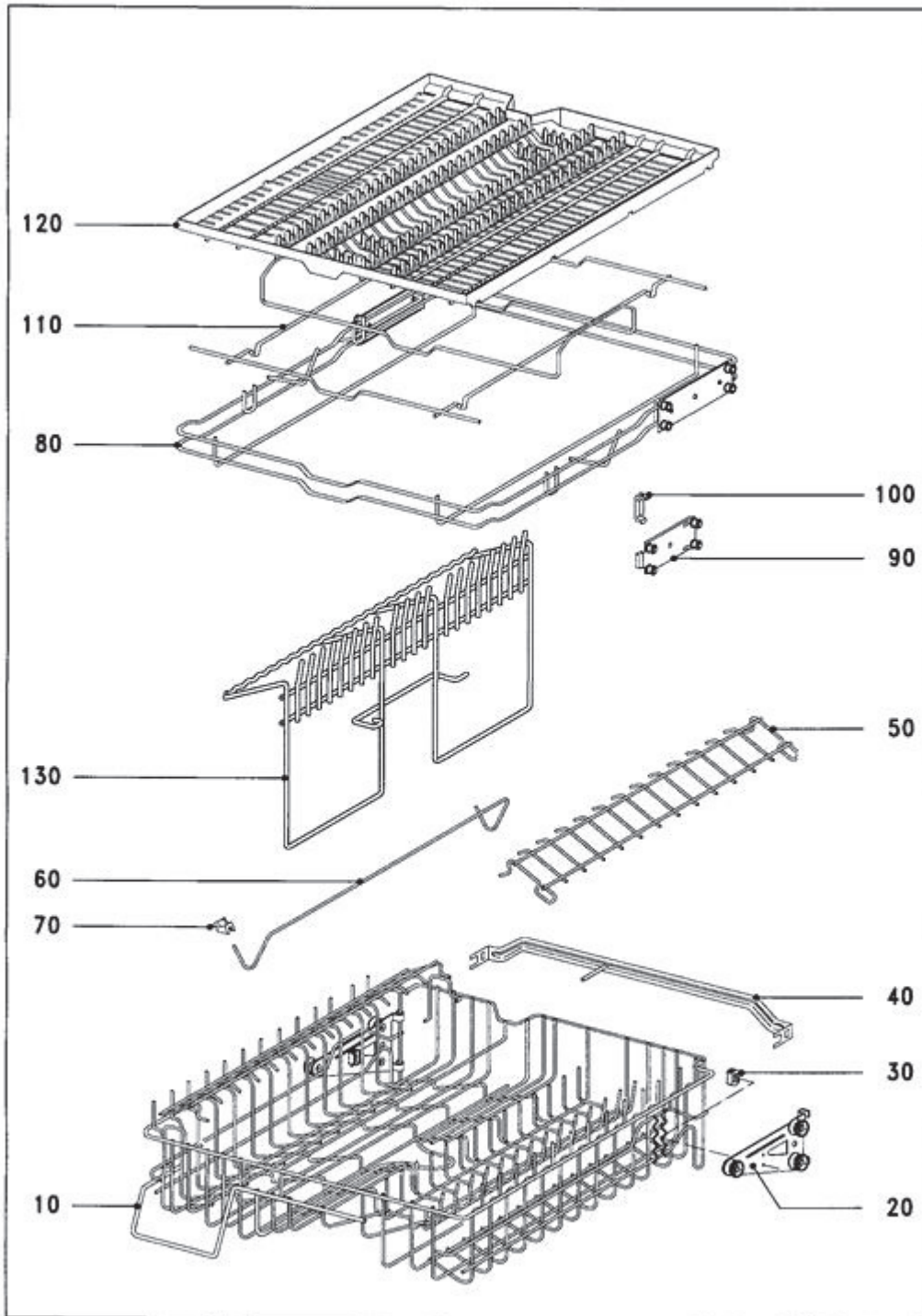
4441730-032

035 TOP BASKET AND INSERTS SC



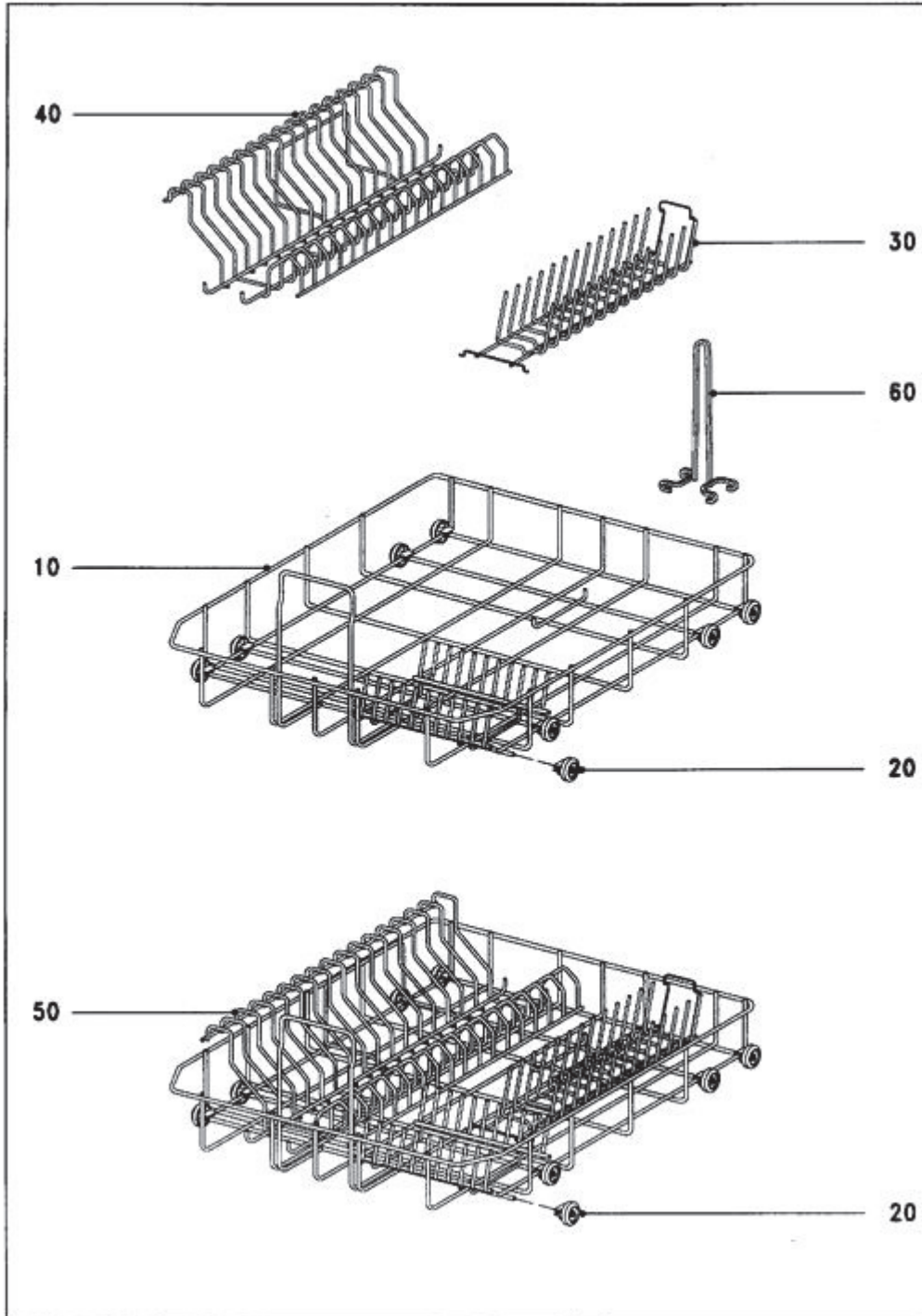
4344410-040

037 TOP BASKET AND INSERTS SC FROM INDEX 19



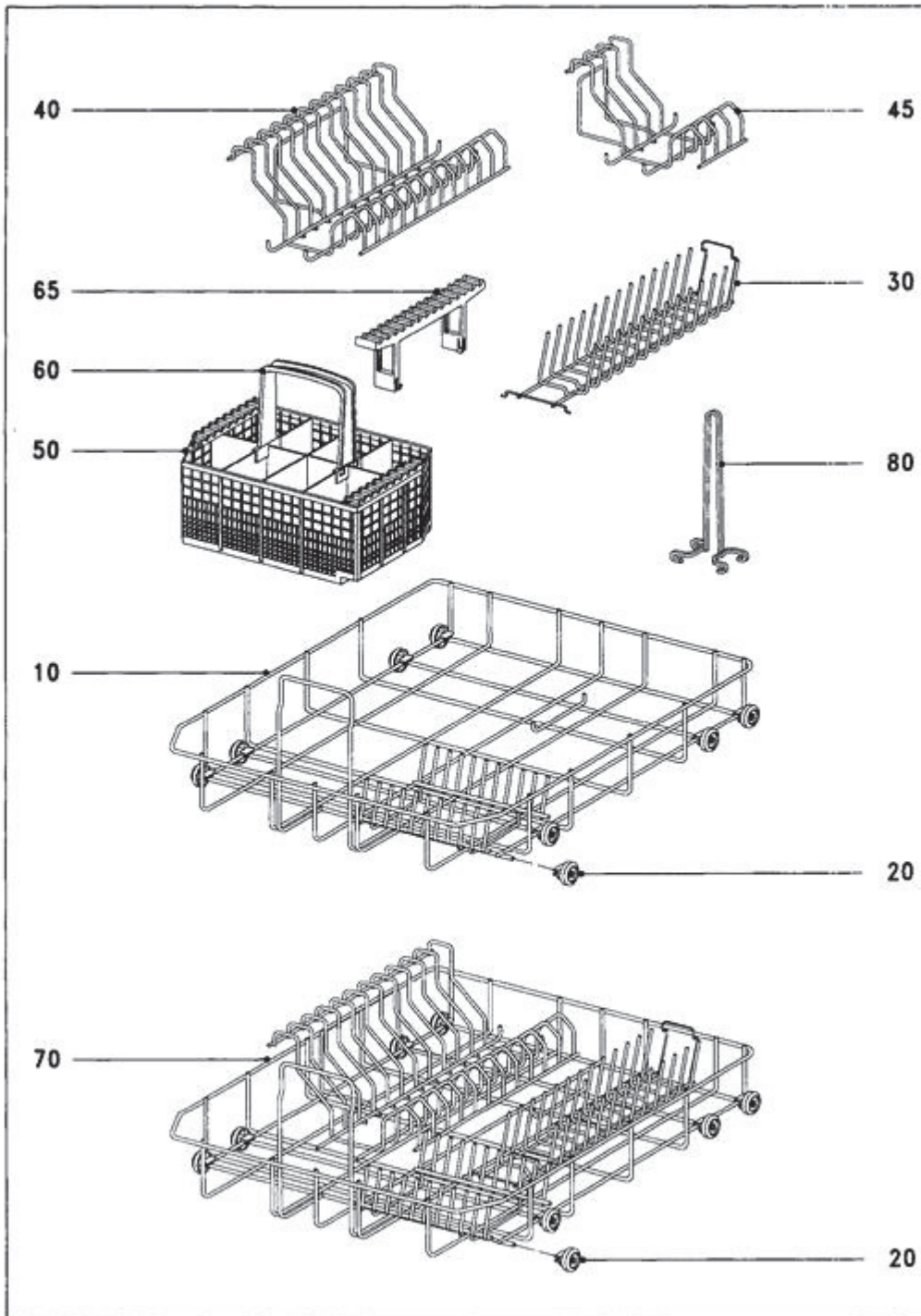
4344410-042

040 BOTTOM BASKET,INSERTS SC



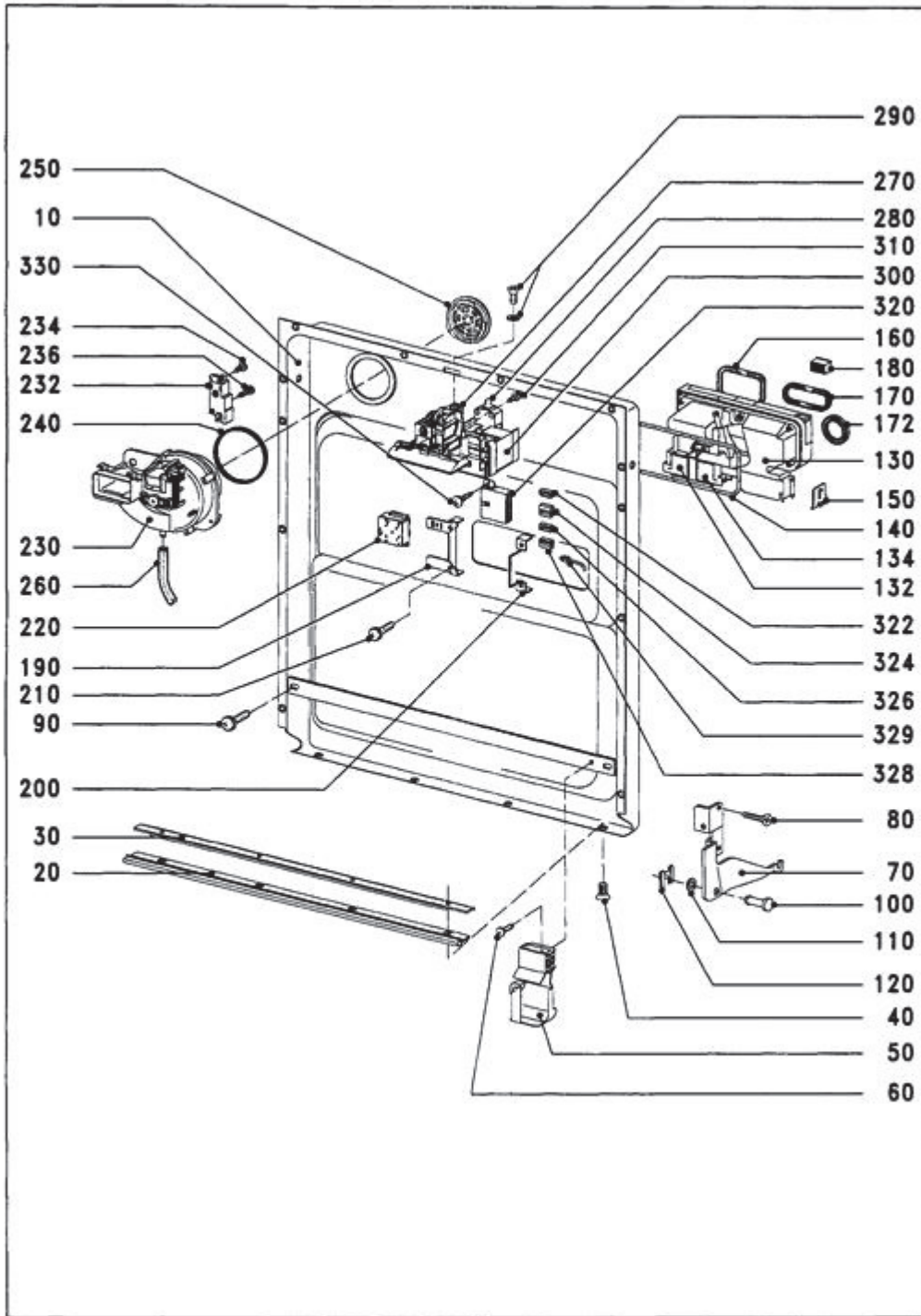
4111240-040

050 BOTTOM BASKET,INSERTS,CUTLERY BASKET



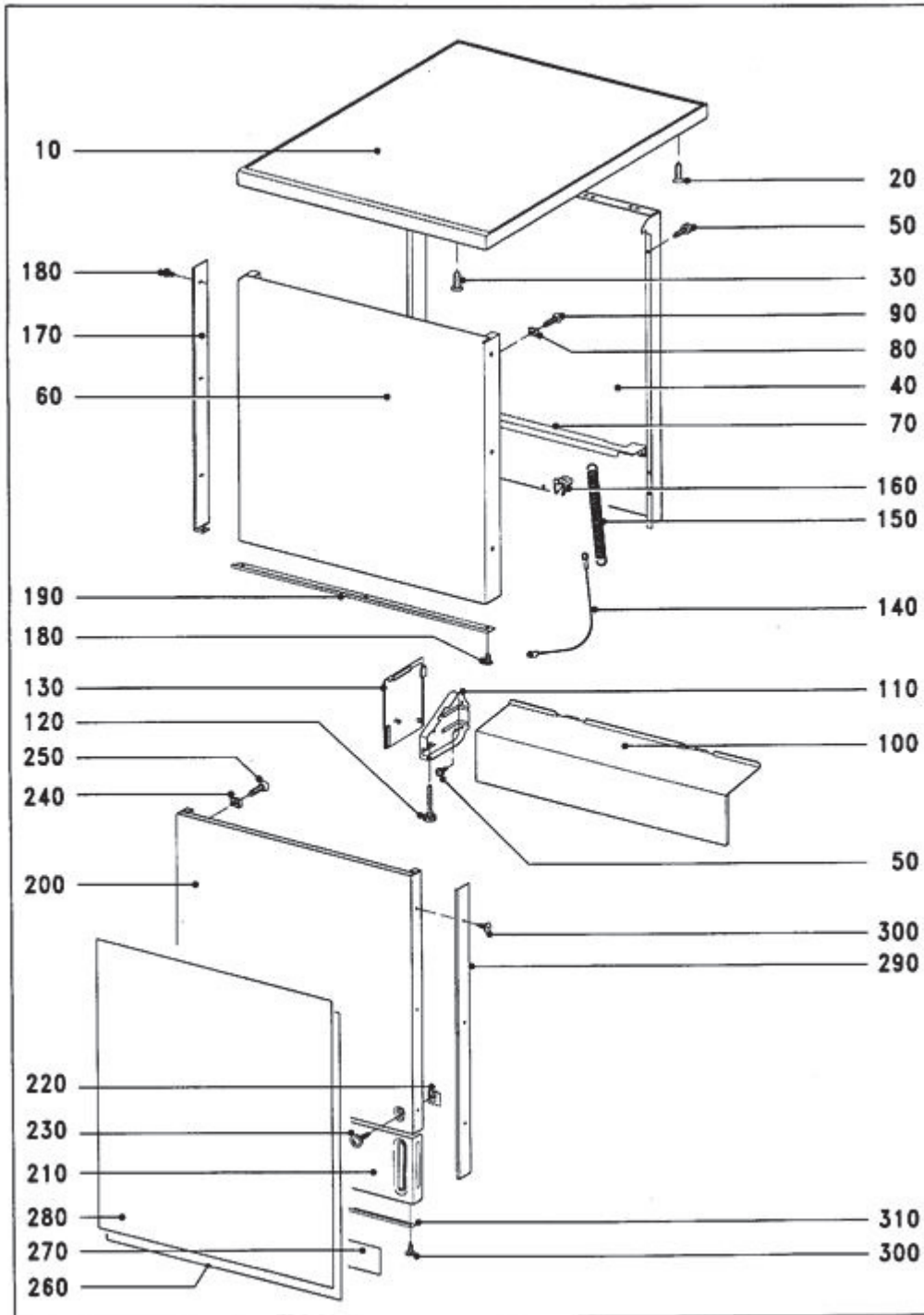
4111240-050

060 Door



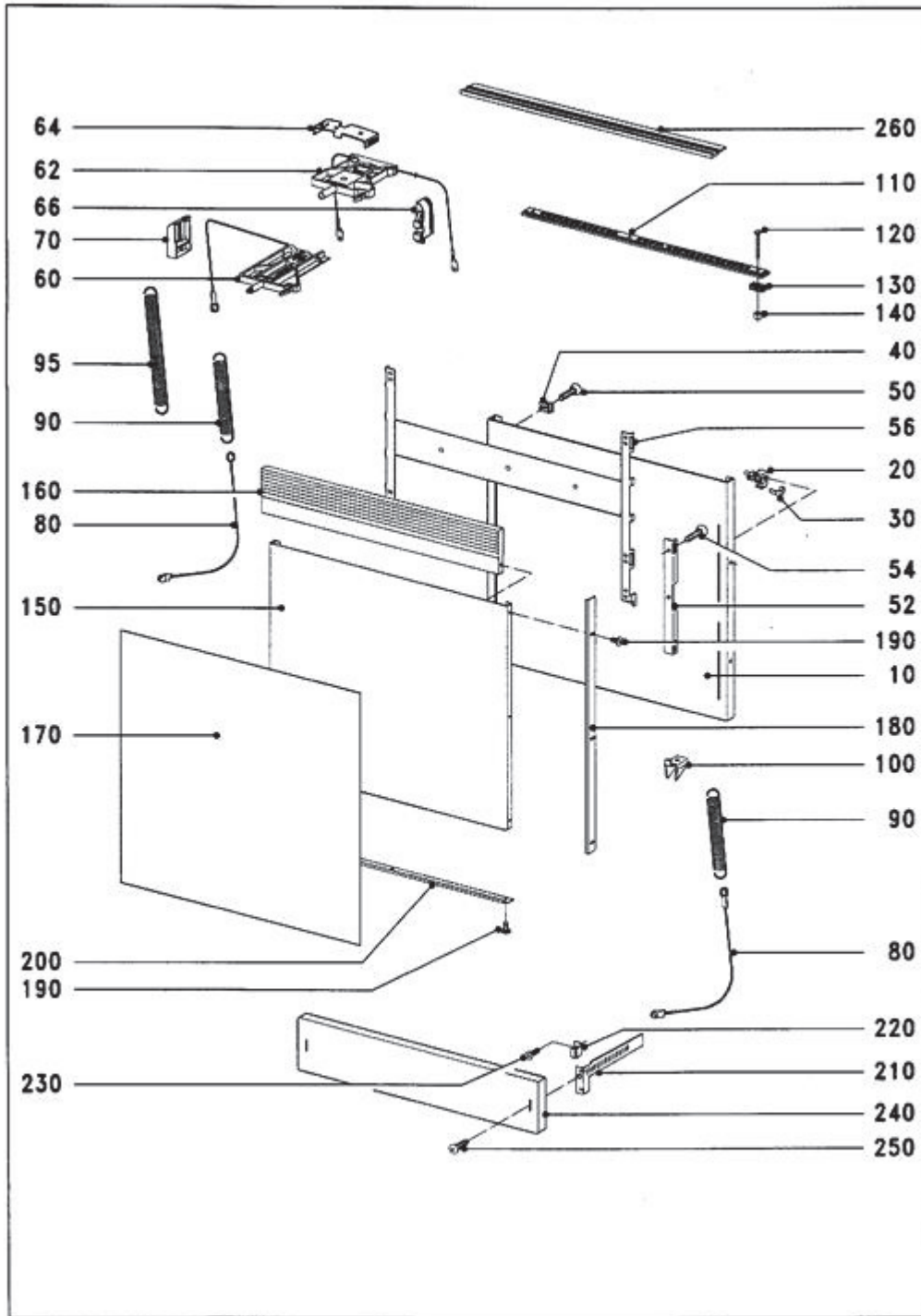
4335080-070

070 FRONTPANEL FREESTANDING DISHWASHER



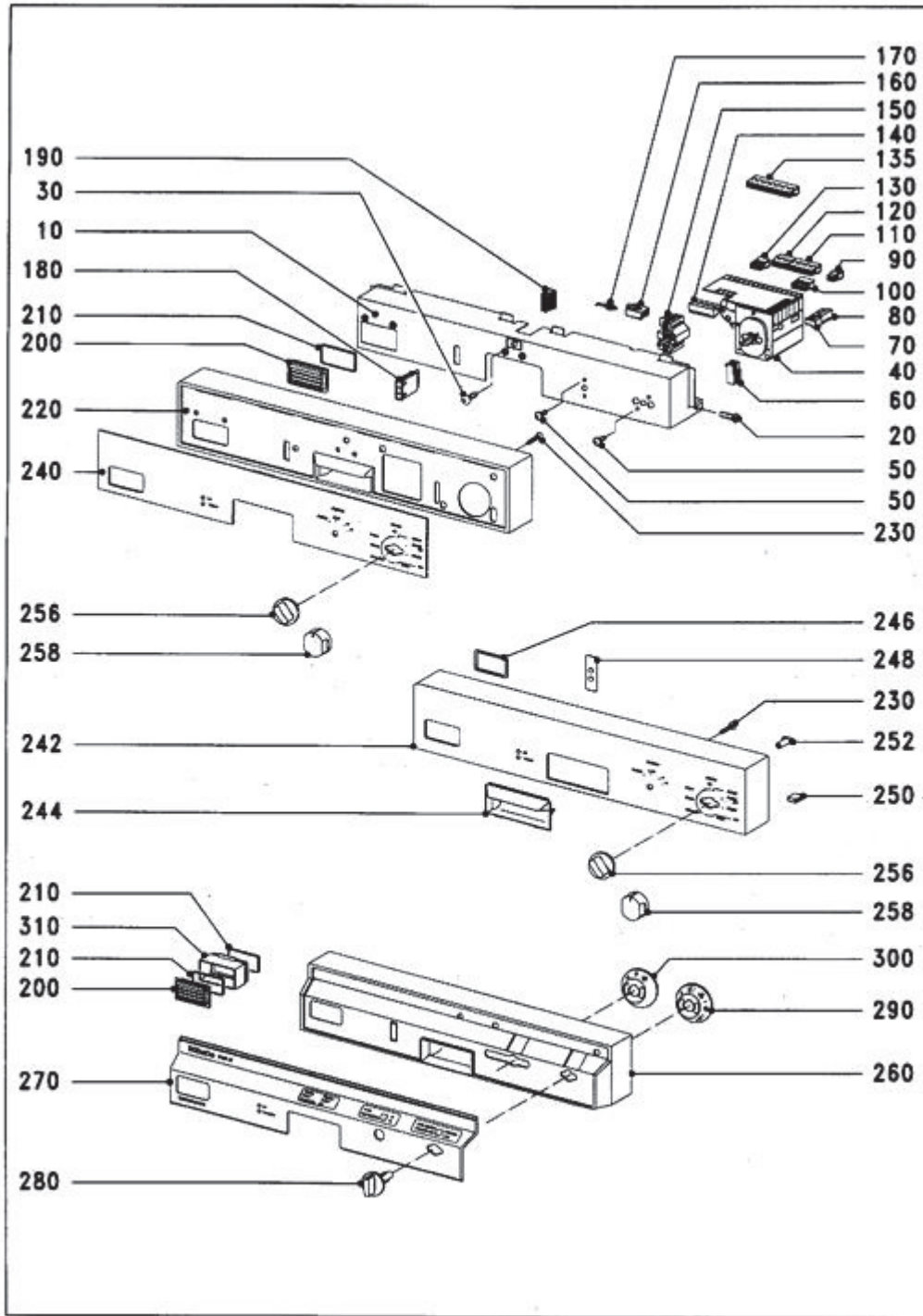
5072780-022

080 FRONTPANEL I VERSION DISHWASHER F GDU



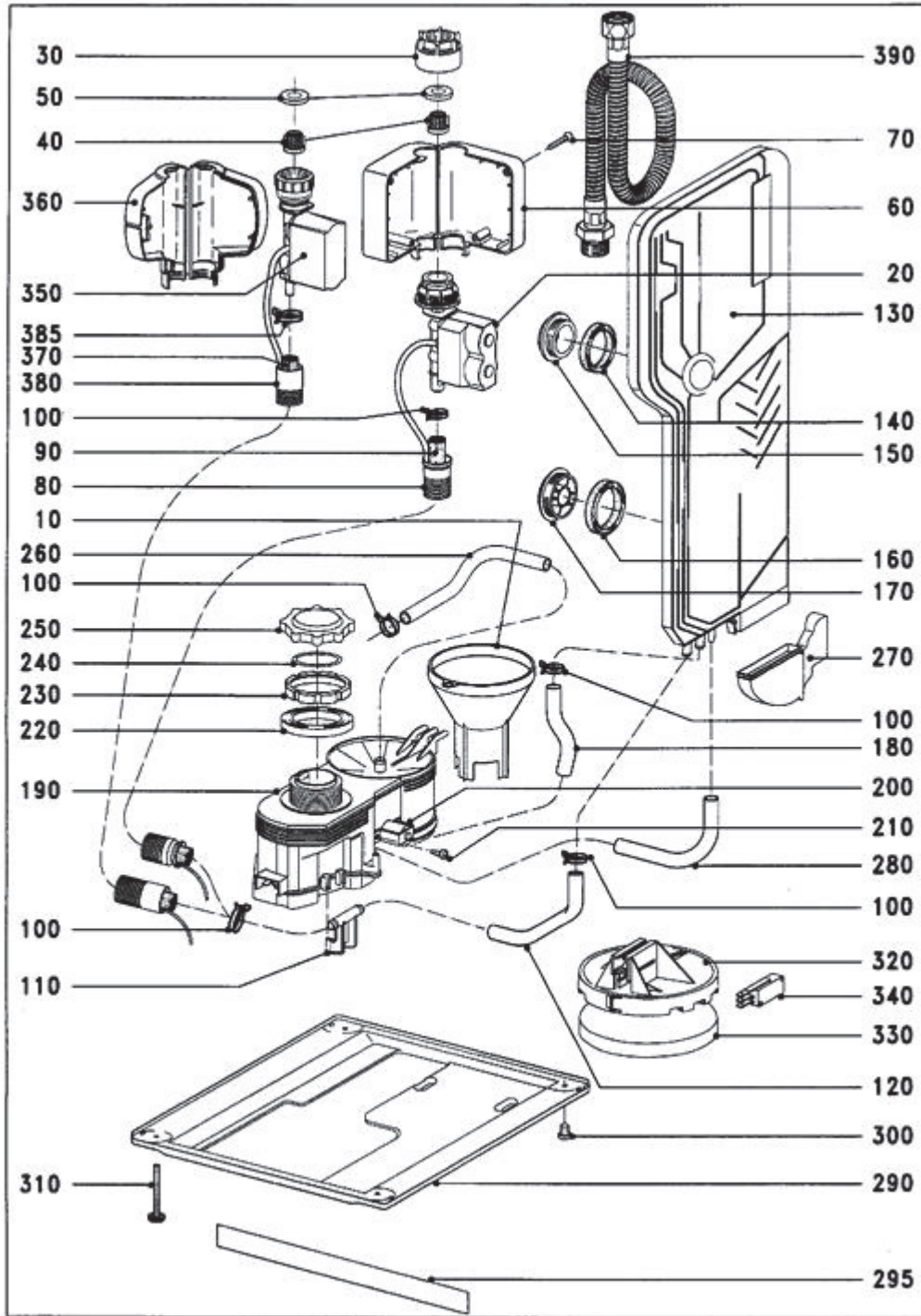
4196290-080

087 FACIA PANEL,PROGRAMME TIMER G665-669,671



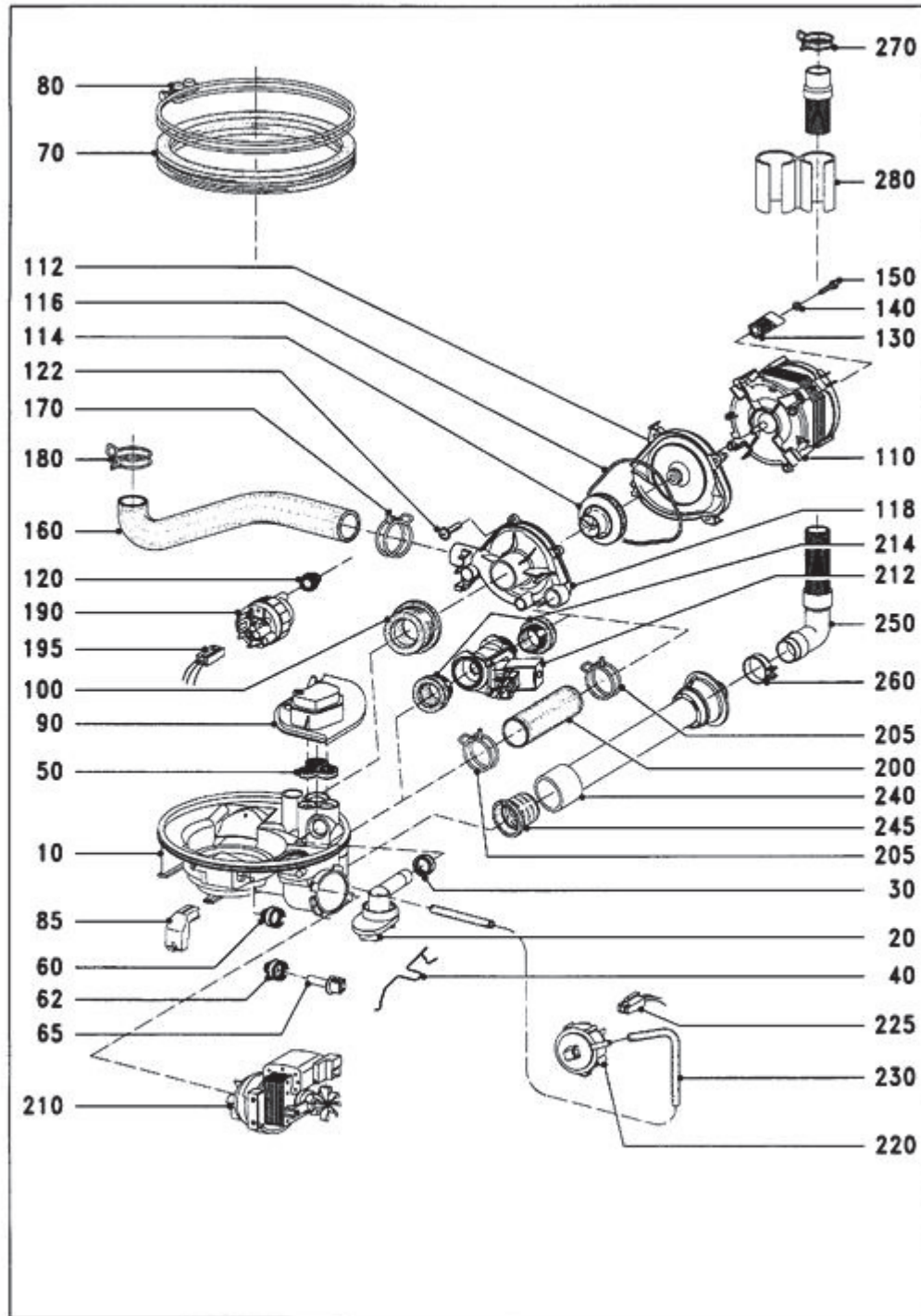
4196290-087-D

100 LEAK PROTECTION DEVICE, WATER-SOFTENER



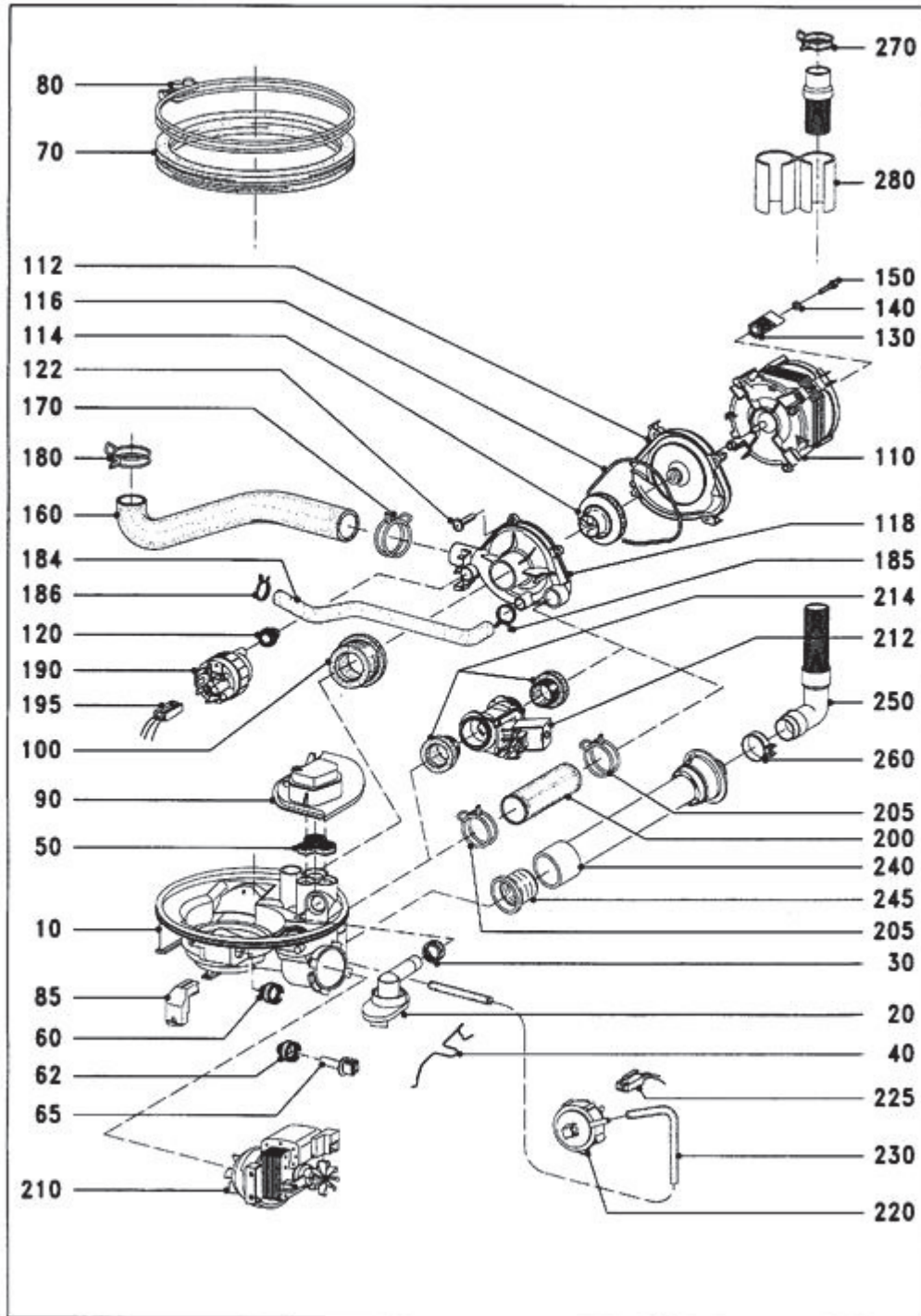
4196290-100

110 PUMPS,SUMP,CONNECTING HOSES,ELECTRICAL PARTS



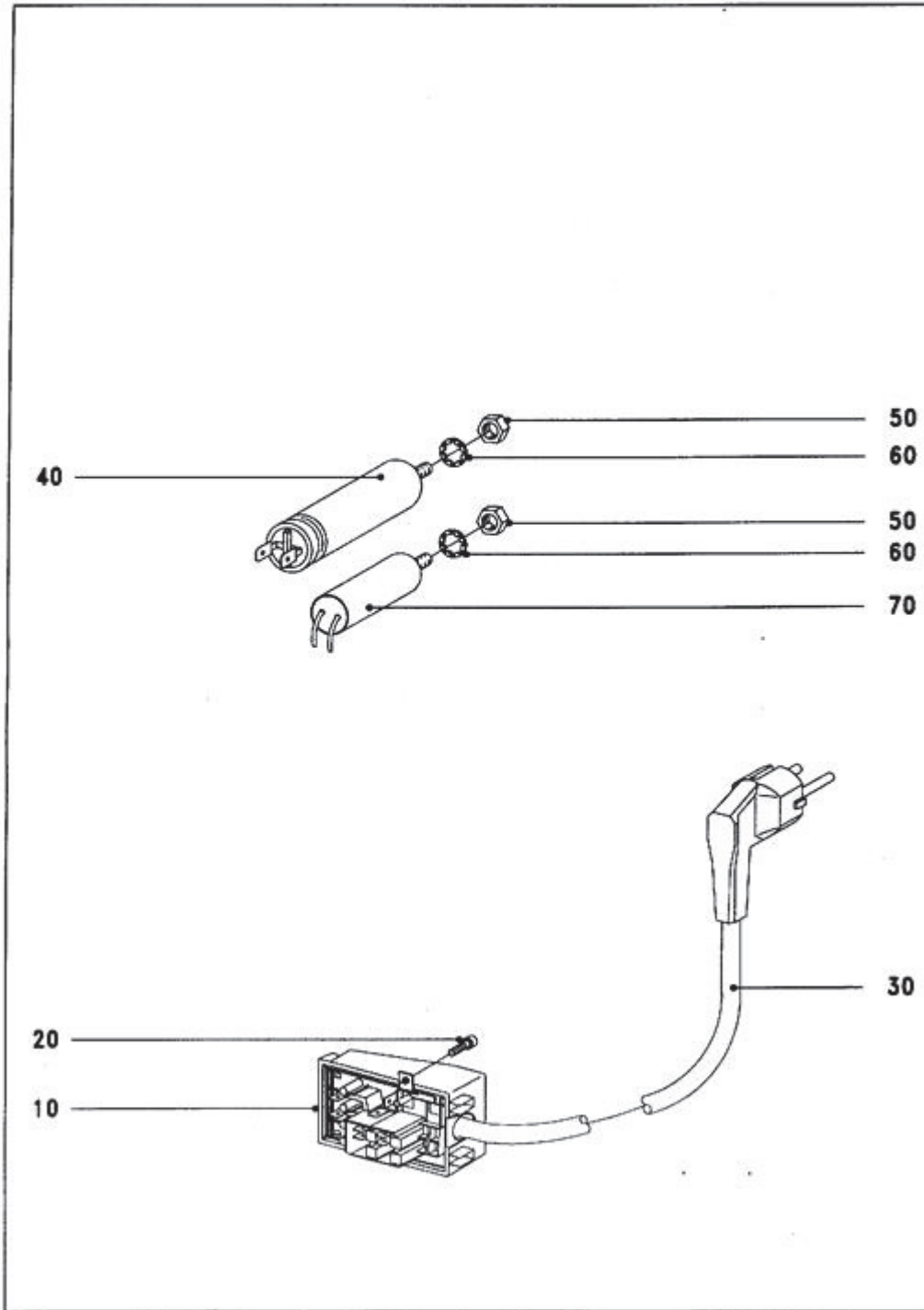
4669190-110

112 PUMPS,SUMP,ELECTRICAL PARTS,FROM INDEX 19



5122150-070

120 ELECTRICAL CONNECTION, CABLE



4111240-120