



## Explanation

Column	Contents
Pos.	Drawing item number or number range for indicating the Mat. no. of the activated line in the function group drawing.
Mat. no.	Material number of the spare part.
SL	Key field with additional information relevant to the item. The following abbreviations may also be displayed here: <ul style="list-style-type: none"> <li>Z In addition to this spare part, the next-listed part is also required.</li> <li>N This refers to a standard part. Optionally a special part may also be fitted.</li> <li>W This special part can optionally be fitted as an alternative to the standard part.</li> <li>A With regard to this item, the following information must also be noted in relation to this item.</li> </ul>
FT	Entry "***" possible. Then the Mat. no. can be replaced by the Mat. no. of the following item.
Qty.	This column indicates how many of the part in question are fitted at this position in the machine.
UOQ	This shows the unit of quantity.
HZ	The heating type is given here. The following entries are possible: <ul style="list-style-type: none"> <li>EL Electric</li> <li>AG Gas</li> <li>HD High-pressure steam</li> <li>ND Low-pressure steam</li> </ul>
Designation	This column displays the designation of the Mat. no. with a spare part, or information text. If the designation is indented by one space, then this item is part of a sub-assembly but can be ordered separately. Fastenings and earthing parts are indented by two spaces.



## Content

Function group overview

010 INNER CABINET,SIDE PANEL

020 SPRAY SYSTEM-HEATER

022 SPRAY SYSTEM-HEATER,FROM INDEX 19

025 Top basket

027 TOP BASKET FROM INDEX 19

040 TOP BASKET AND INSERTS SC

042 TOP BASKET AND INSERTS SC FRO, INDEX 19

045 BOTTOM BASKET

070 Door

080 FRONT PANELLING

090 FACIA PANEL,ELECTRONIC UNIT G 673,G 679 VI

100 LEAK PROTECTION DEVICE,WATER-SOFTENER

110 PUMPS,SUMP,CONNECTING HOSES,ELECTRICAL PARTS

112 PUMPS,SUMP,ELECTRICAL PARTS,FROM INDEX 19

120 ELECTRICAL CONNECTION,CABLE

122 Documents

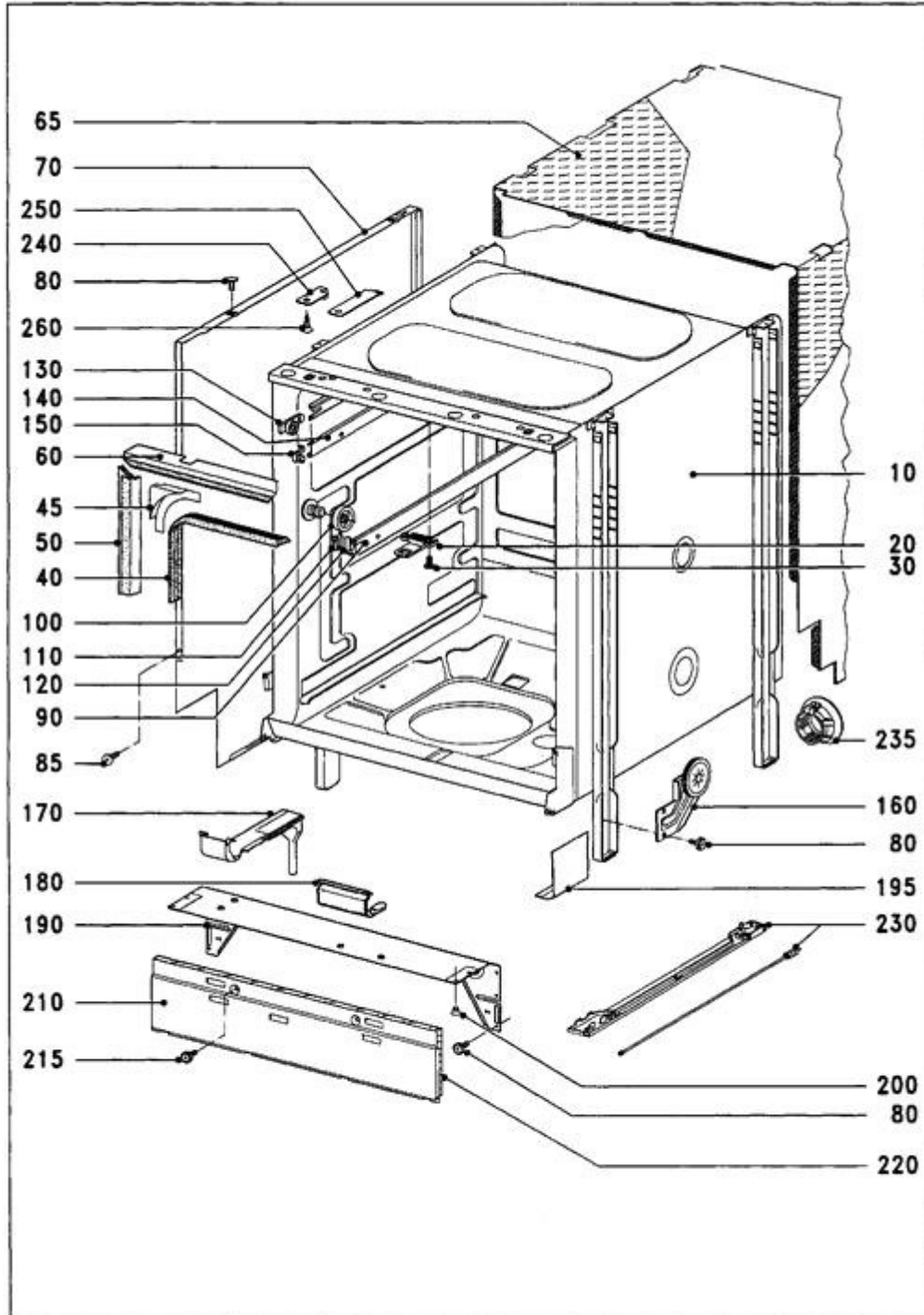


Dishwashers  
G 673 SC VI (G673VI)

EN/United States

04.12.2017  
© Miele & Cie. KG 2017

**010 INNER CABINET, SIDE PANEL**



5144500-010

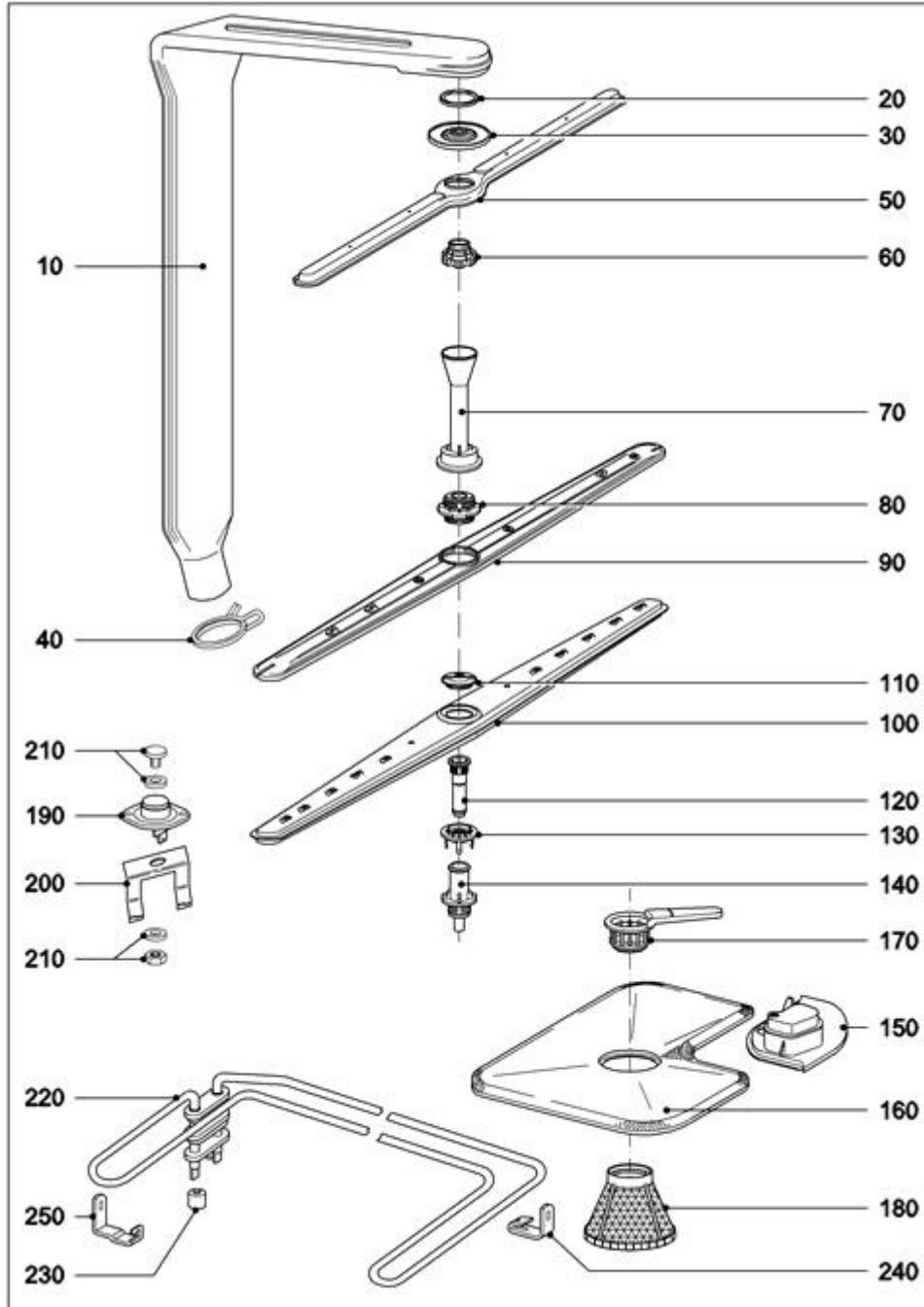


Dishwashers  
G 673 SC VI (G673VI)

EN/United States

04.12.2017  
© Miele & Cie. KG 2017

**020 SPRAY SYSTEM-HEATER**



60506

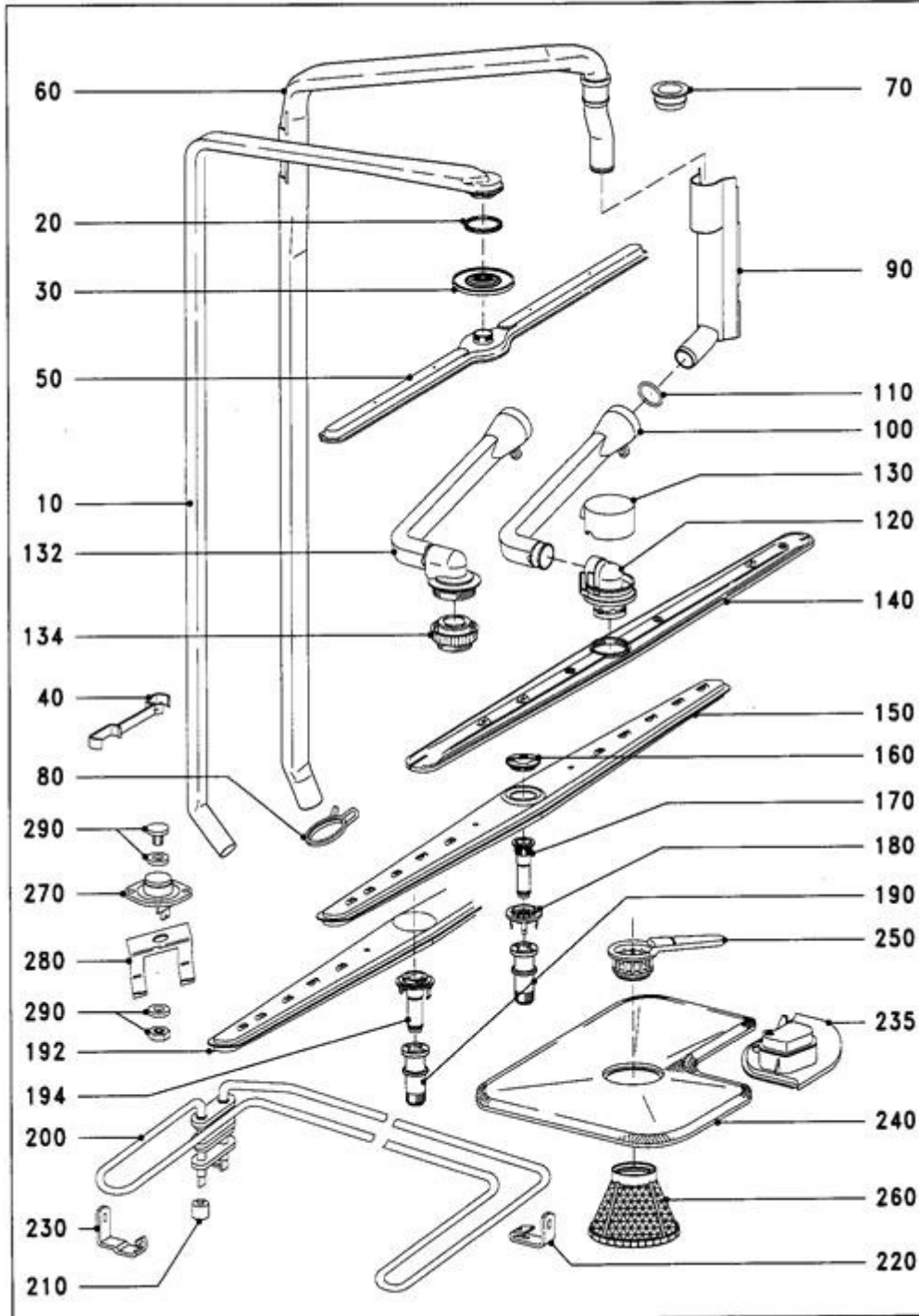


Dishwashers  
G 673 SC VI (G673VI)

EN/United States

04.12.2017  
© Miele & Cie. KG 2017

**022 SPRAY SYSTEM-HEATER, FROM INDEX 19**



4441730-022

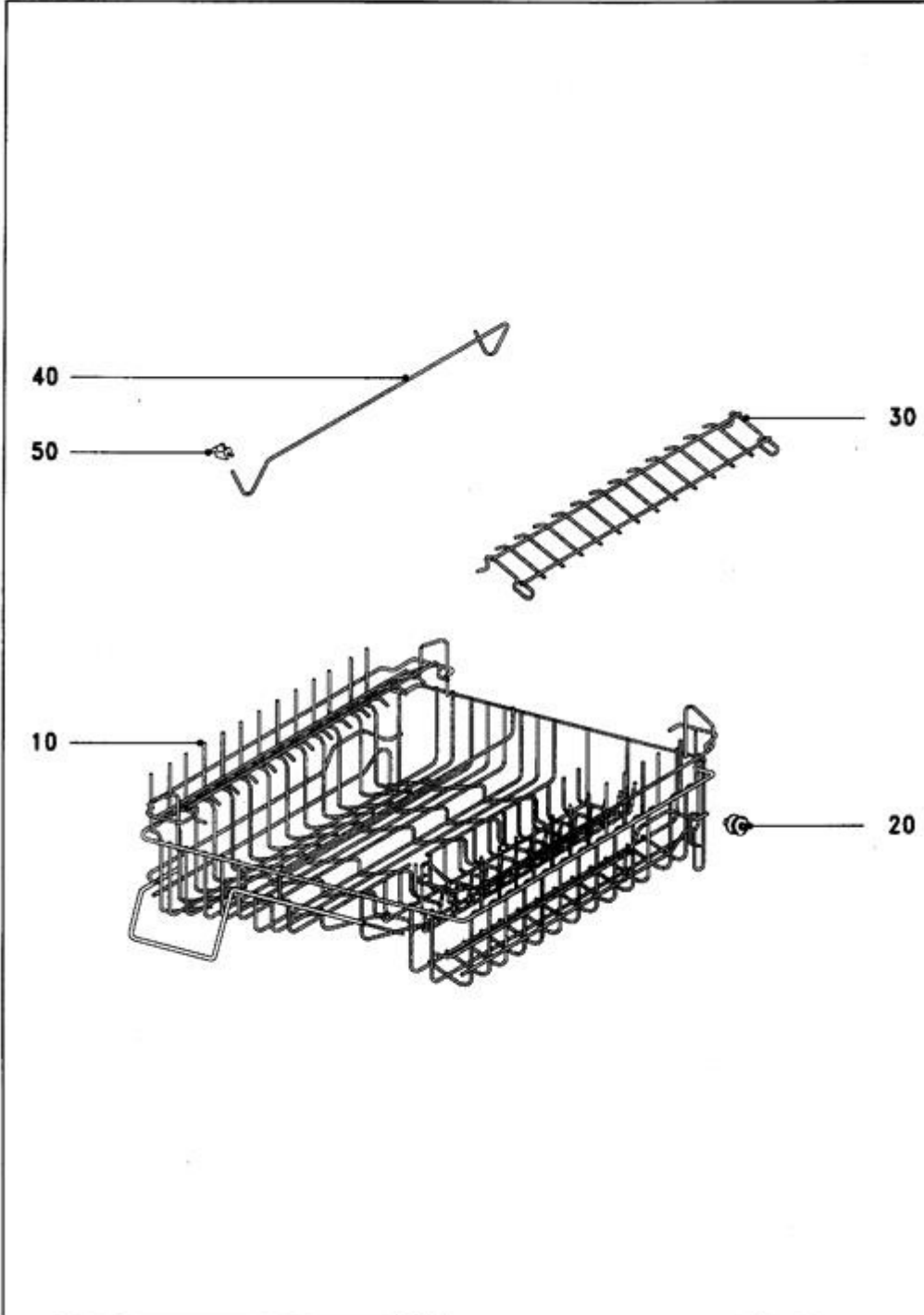


Dishwashers  
G 673 SC VI (G673VI)

EN/United States

04.12.2017  
© Miele & Cie. KG 2017

**025 Top basket**



4559190-040

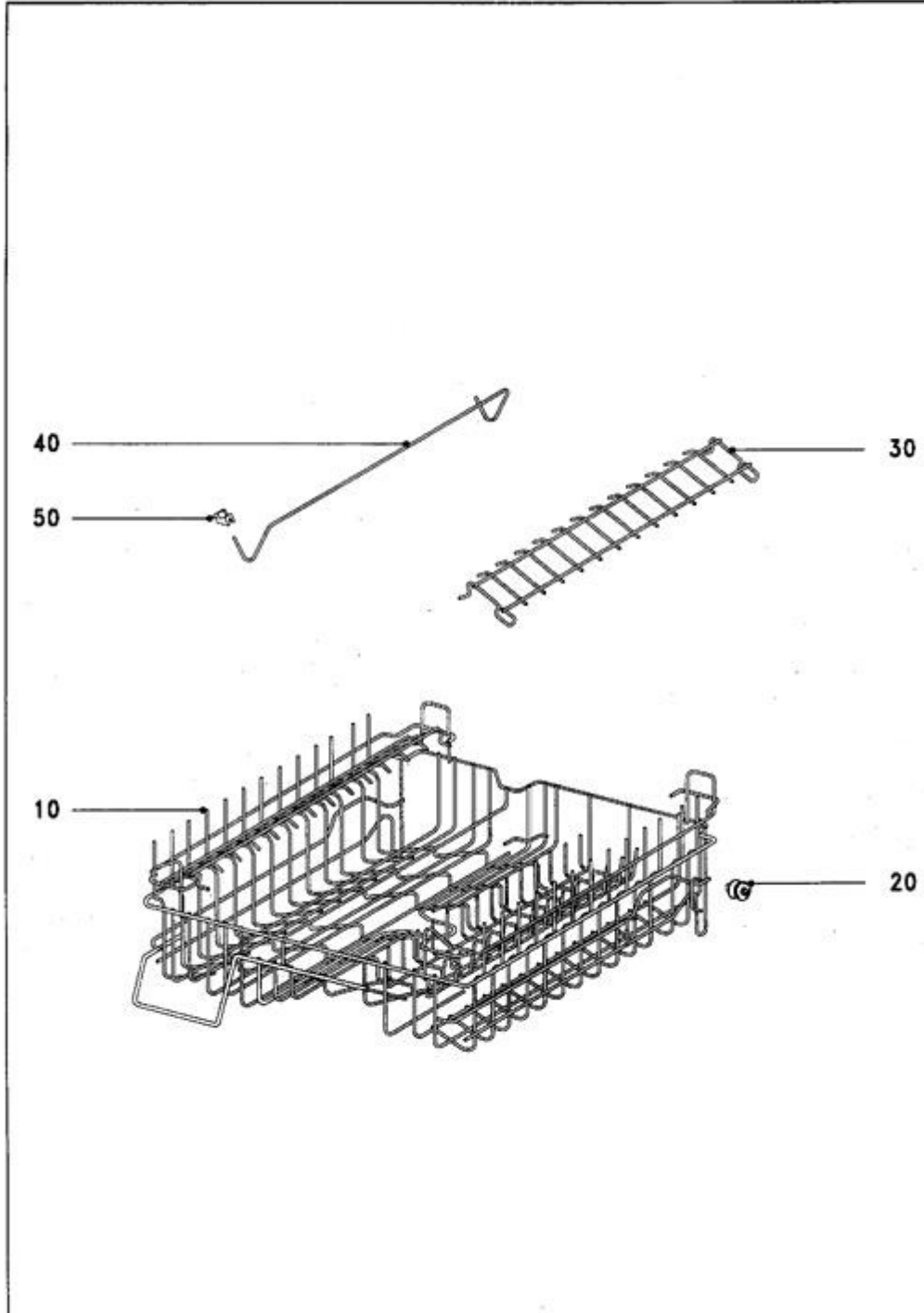


Dishwashers  
G 673 SC VI (G673VI)

EN/United States

04.12.2017  
© Miele & Cie. KG 2017

**027 TOP BASKET FROM INDEX 19**



4441730-032

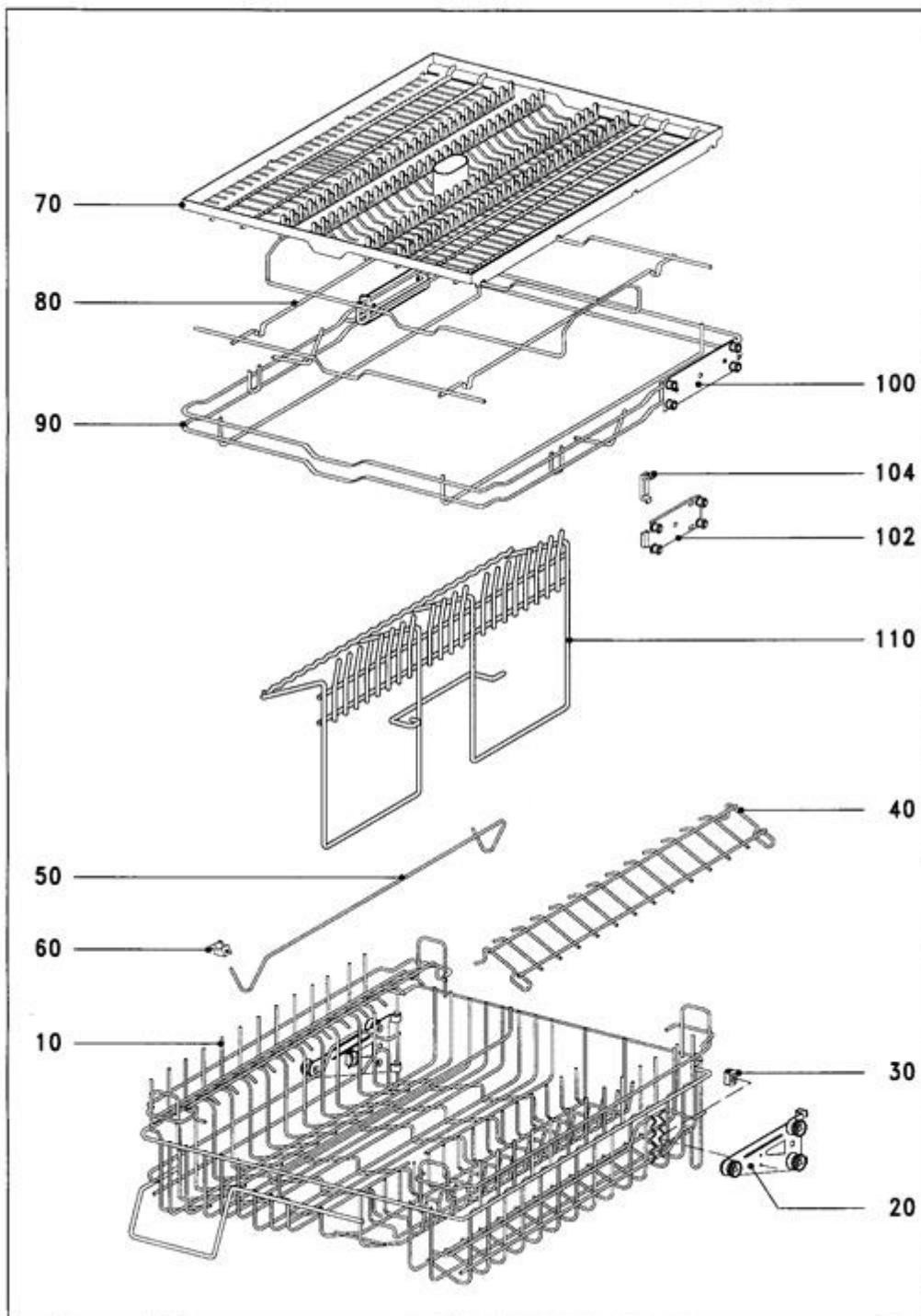


Dishwashers  
G 673 SC VI (G673VI)

EN/United States

04.12.2017  
© Miele & Cie. KG 2017

**040 TOP BASKET AND INSERTS SC**



4344410-040



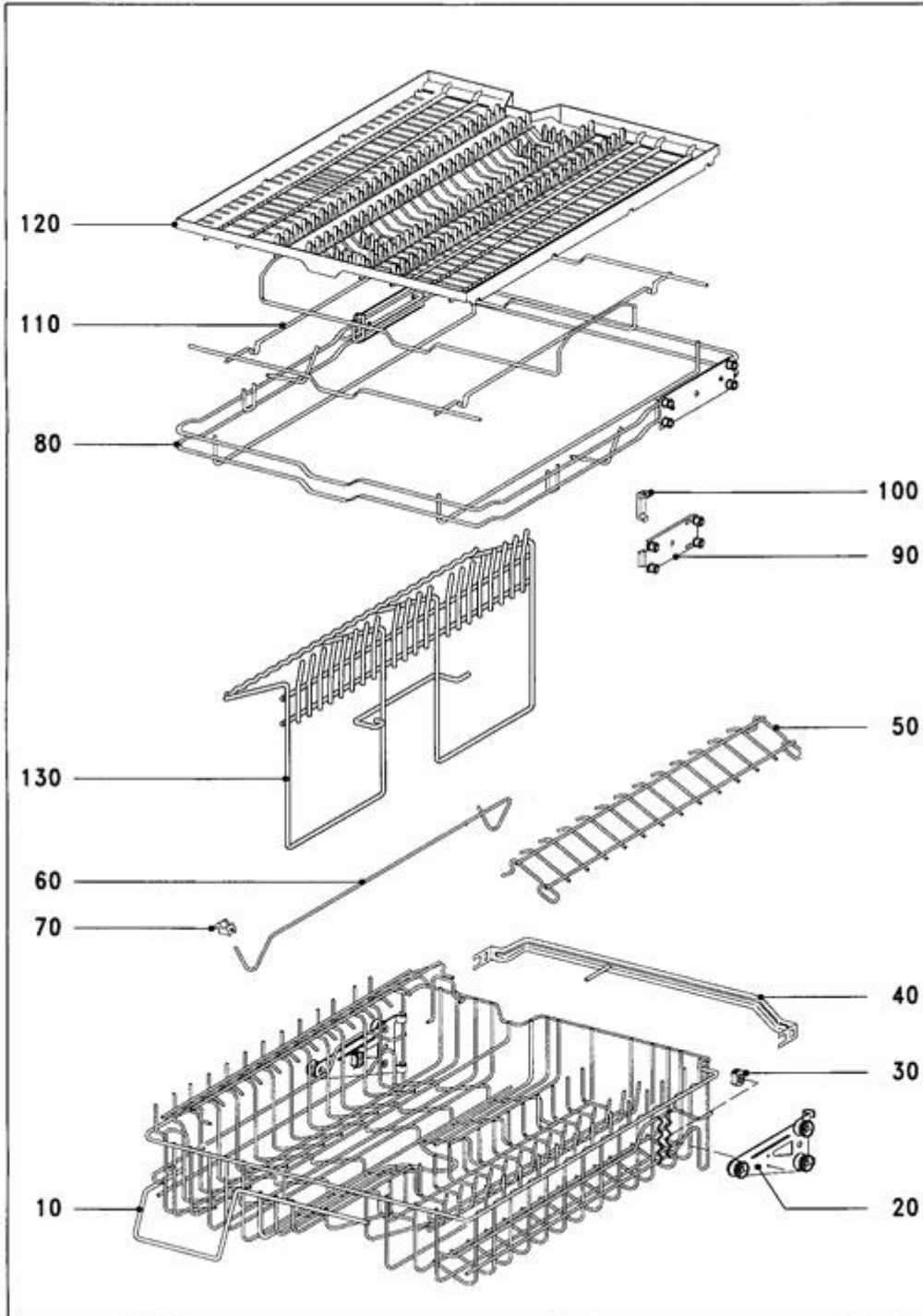


Dishwashers  
G 673 SC VI (G673VI)

EN/United States

04.12.2017  
© Miele & Cie. KG 2017

**042 TOP BASKET AND INSERTS SC FRO, INDEX 19**



4535190-042

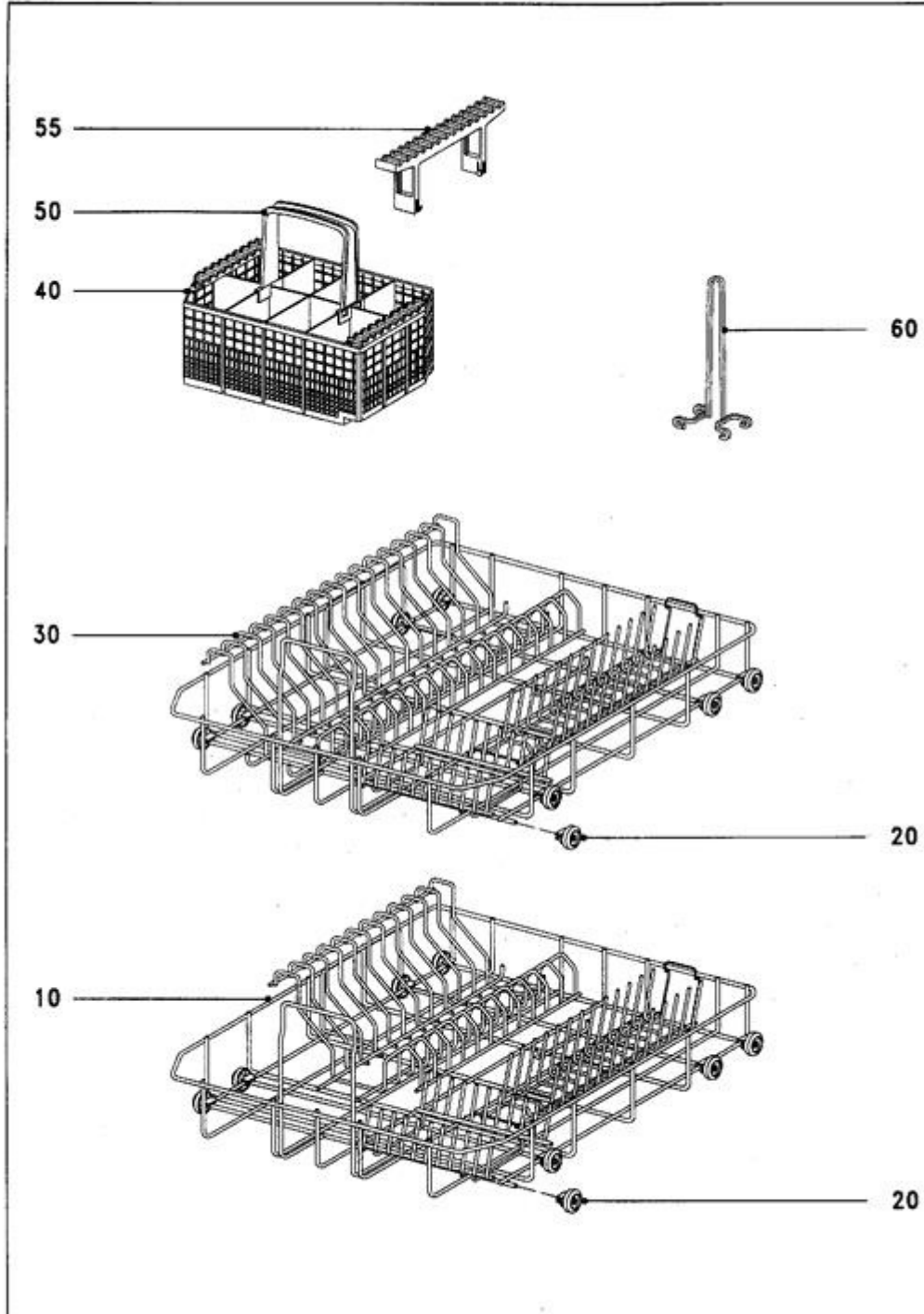


Dishwashers  
G 673 SC VI (G673VI)

EN/United States

04.12.2017  
© Miele & Cie. KG 2017

**045 BOTTOM BASKET**



4535190-045

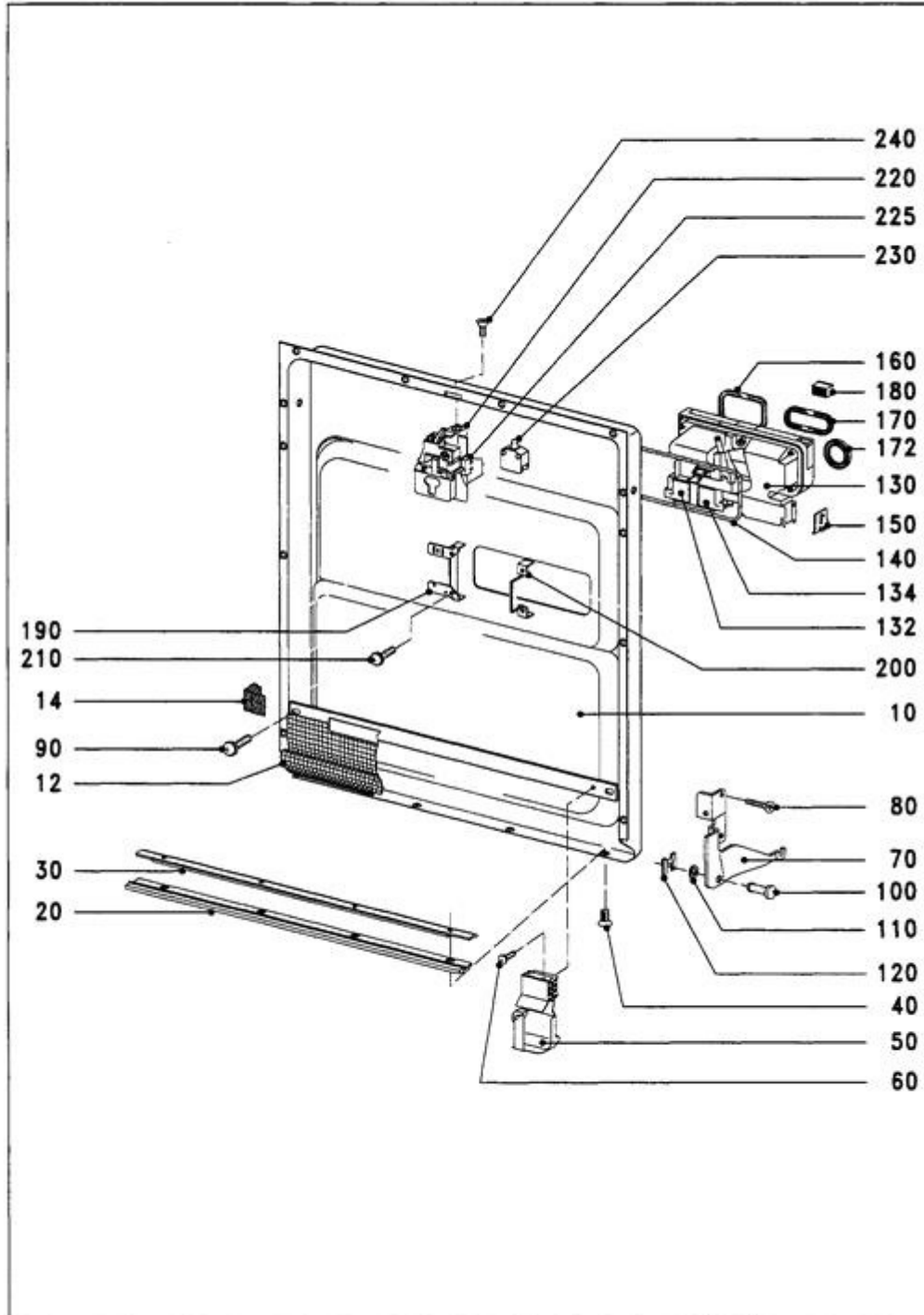


Dishwashers  
G 673 SC VI (G673VI)

EN/United States

04.12.2017  
© Miele & Cie. KG 2017

**070 Door**



5082740-021

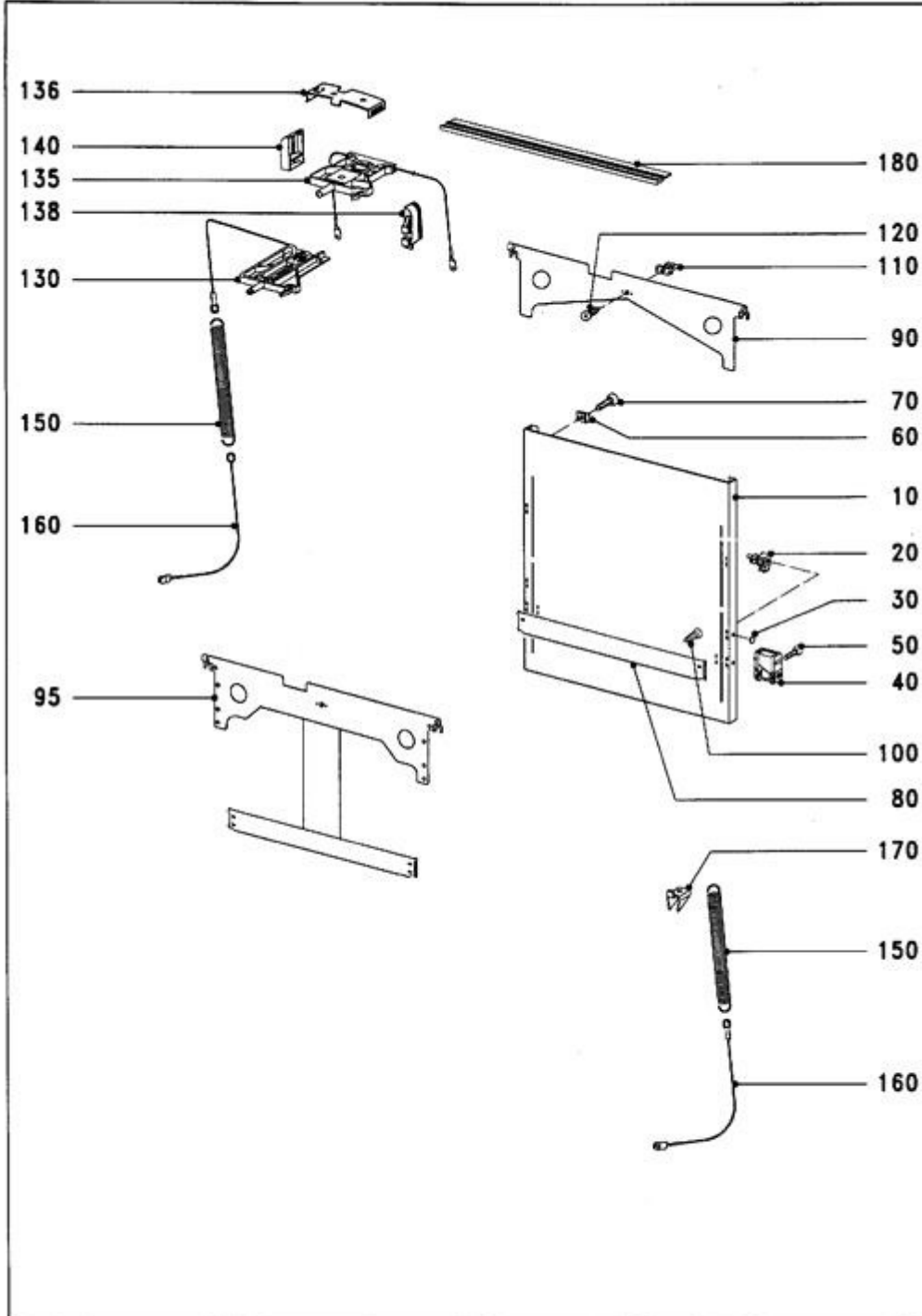


Dishwashers  
G 673 SC VI (G673VI)

EN/United States

04.12.2017  
© Miele & Cie. KG 2017

**080 FRONTPANELLING**



4535200-080

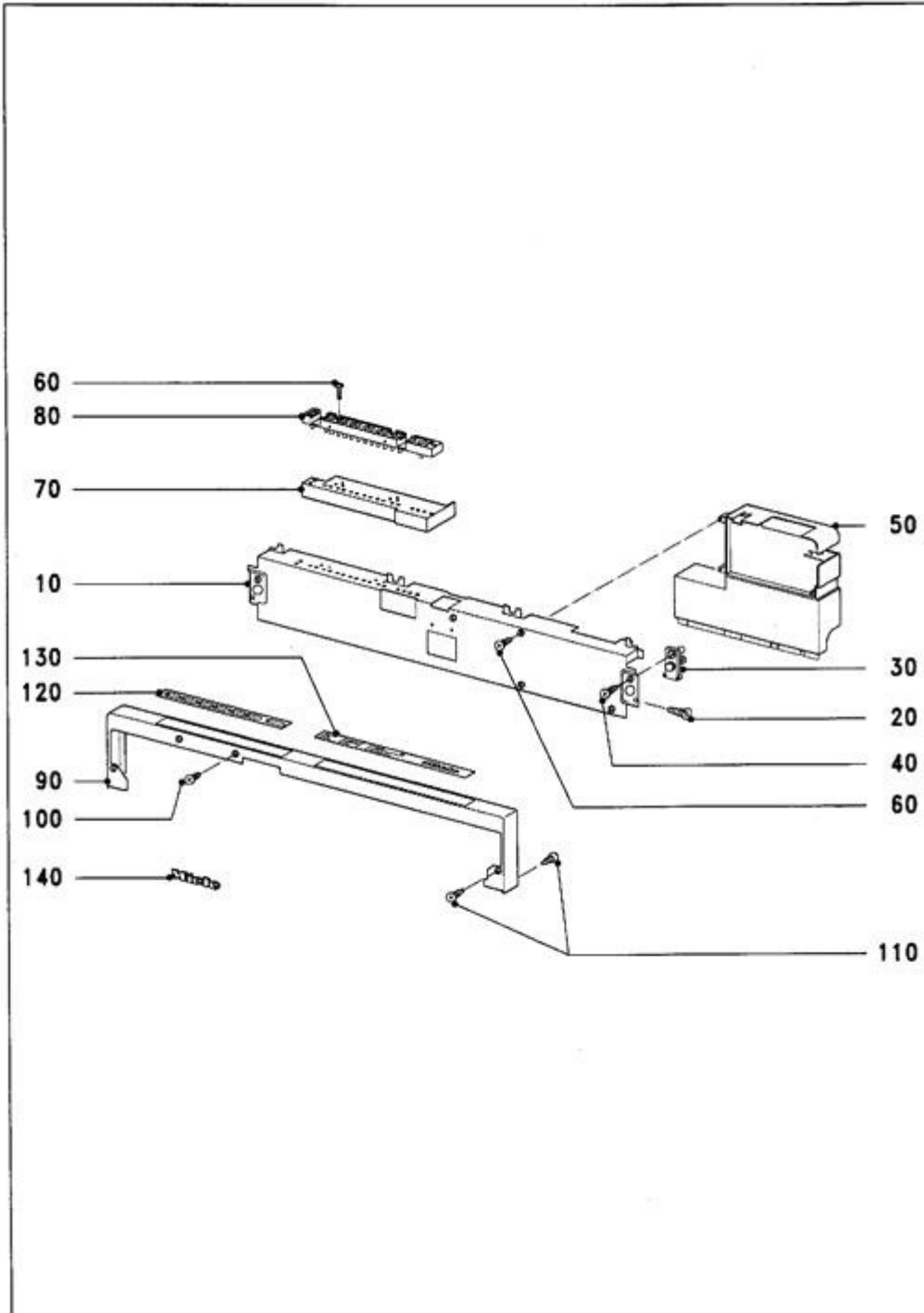


Dishwashers  
G 673 SC VI (G673VI)

EN/United States

04.12.2017  
© Miele & Cie. KG 2017

**090 FACIA PANEL,ELECTRONIC UNIT G 673,G 679 VI**



4535190-090

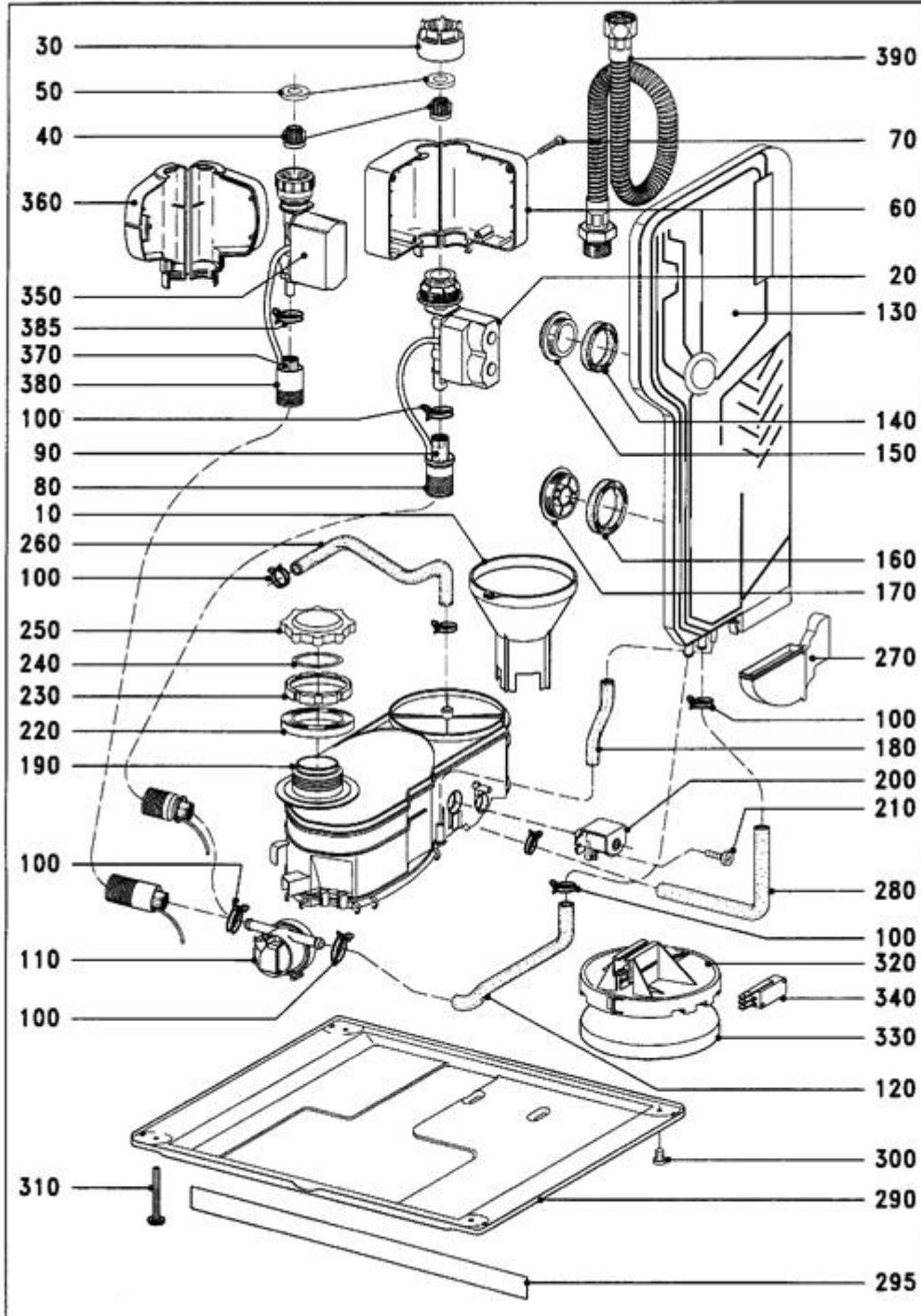


Dishwashers  
G 673 SC VI (G673VI)

EN/United States

04.12.2017  
© Miele & Cie. KG 2017

**100 LEAK PROTECTION DEVICE, WATER-SOFTENER**



4344410-100

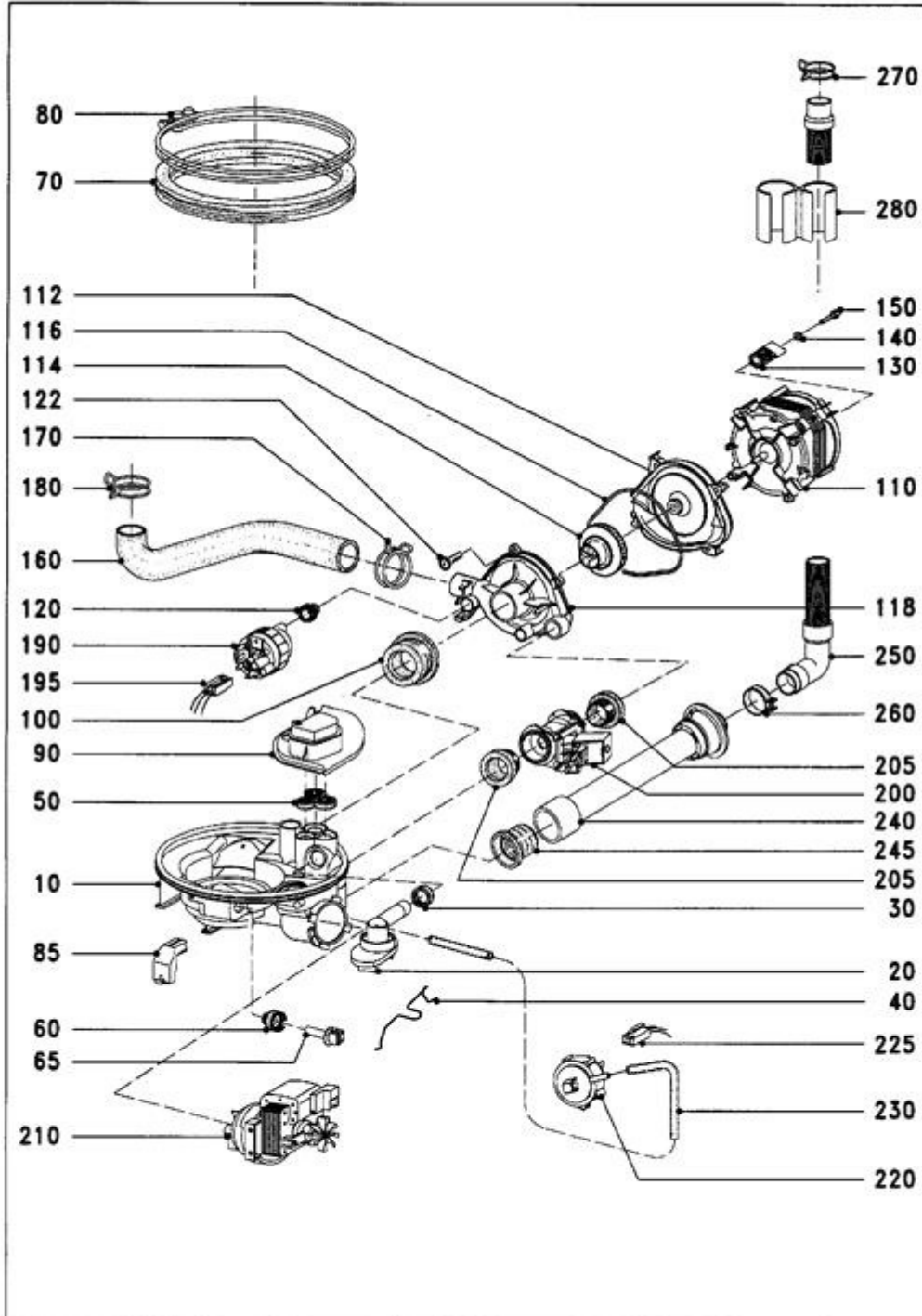


Dishwashers  
G 673 SC VI (G673VI)

EN/United States

04.12.2017  
© Miele & Cie. KG 2017

**110 PUMPS,SUMP,CONNECTING HOSES,ELECTRICAL PARTS**



4344410-110

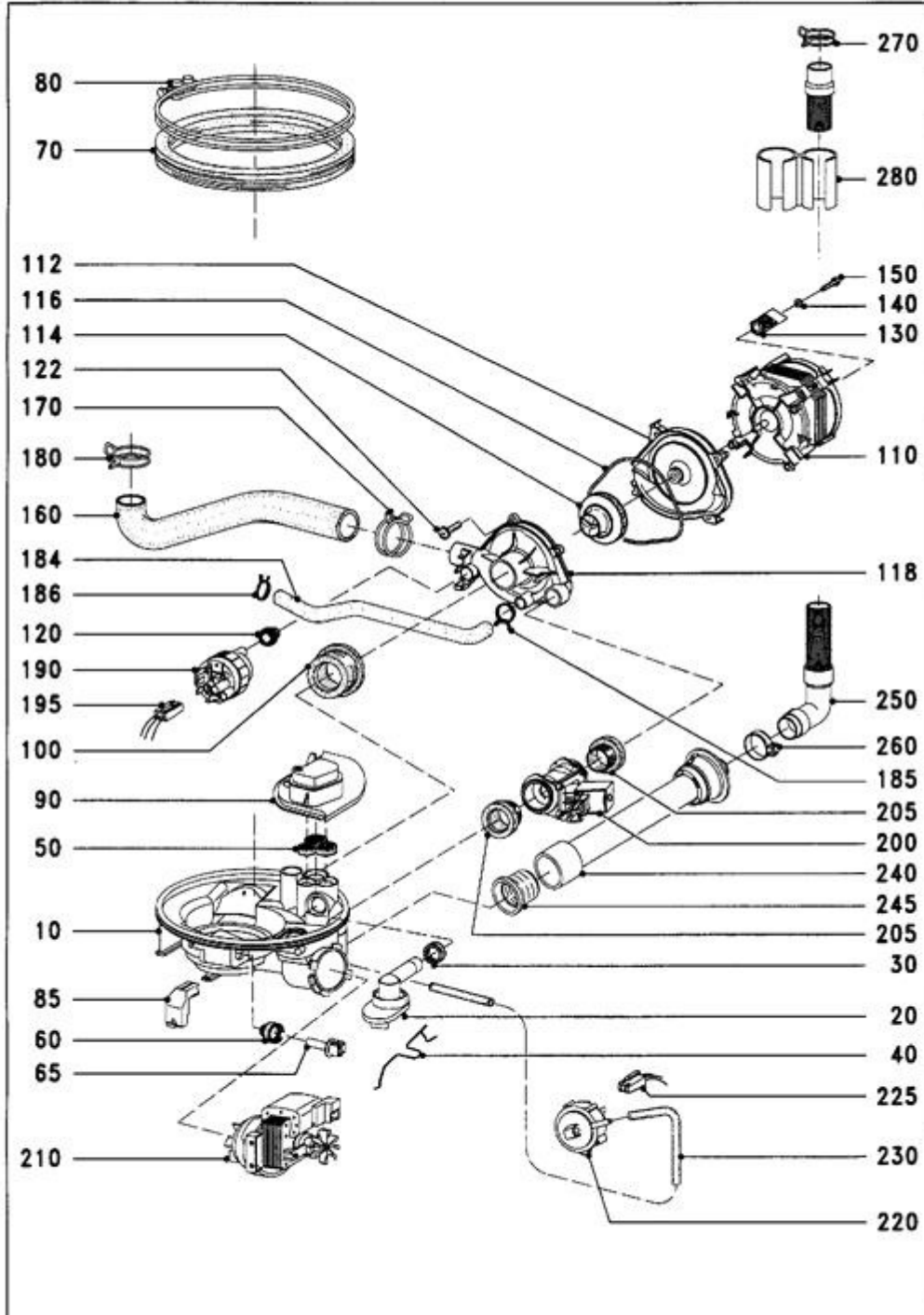


Dishwashers  
G 673 SC VI (G673VI)

EN/United States

04.12.2017  
© Miele & Cie. KG 2017

**112 PUMPS,SUMP,ELECTRICAL PARTS,FROM INDEX 19**



4344410-112



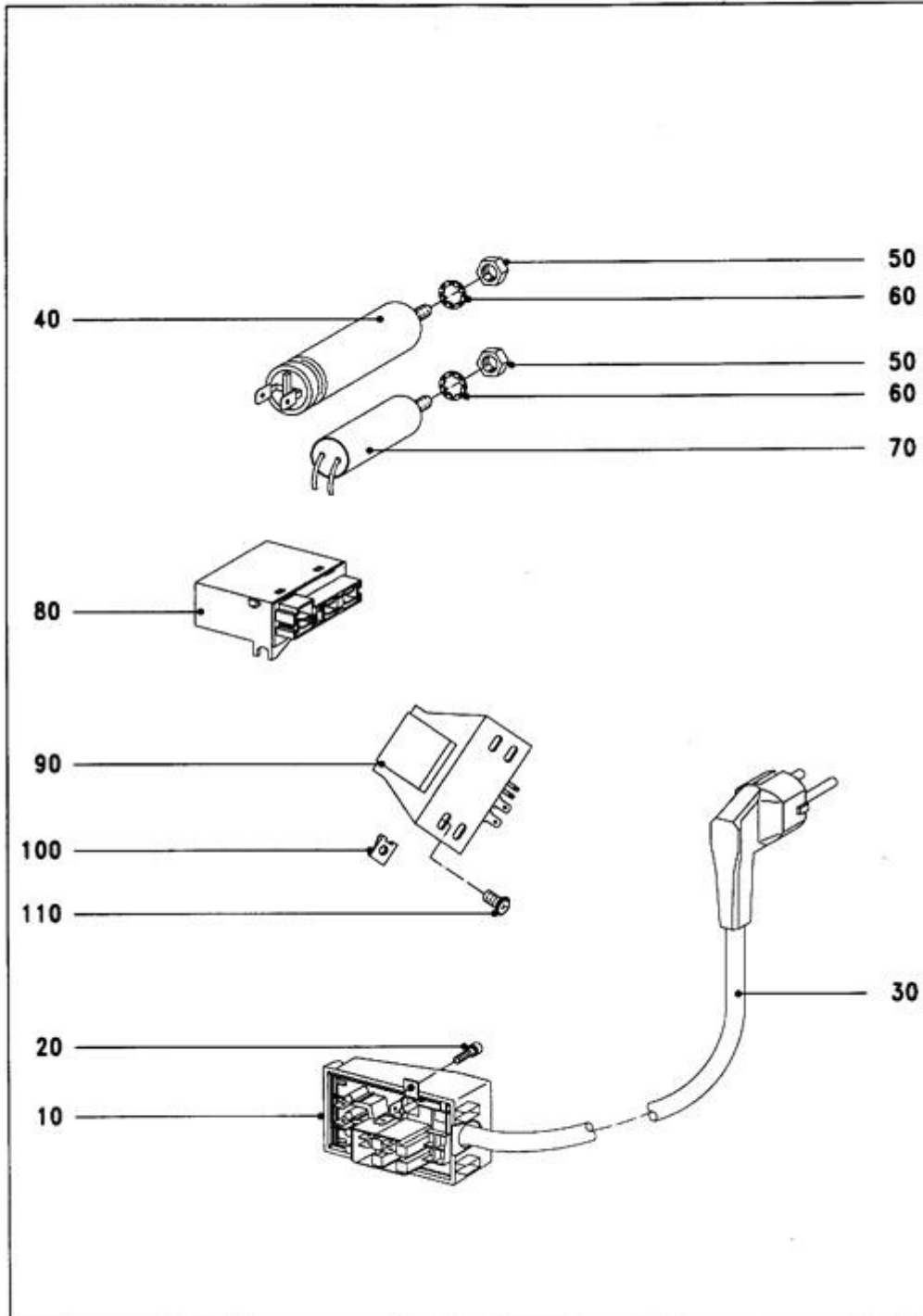


Dishwashers  
G 673 SC VI (G673VI)

EN/United States

04.12.2017  
© Miele & Cie. KG 2017

**120 ELECTRICAL CONNECTION, CABLE**



4535190-120



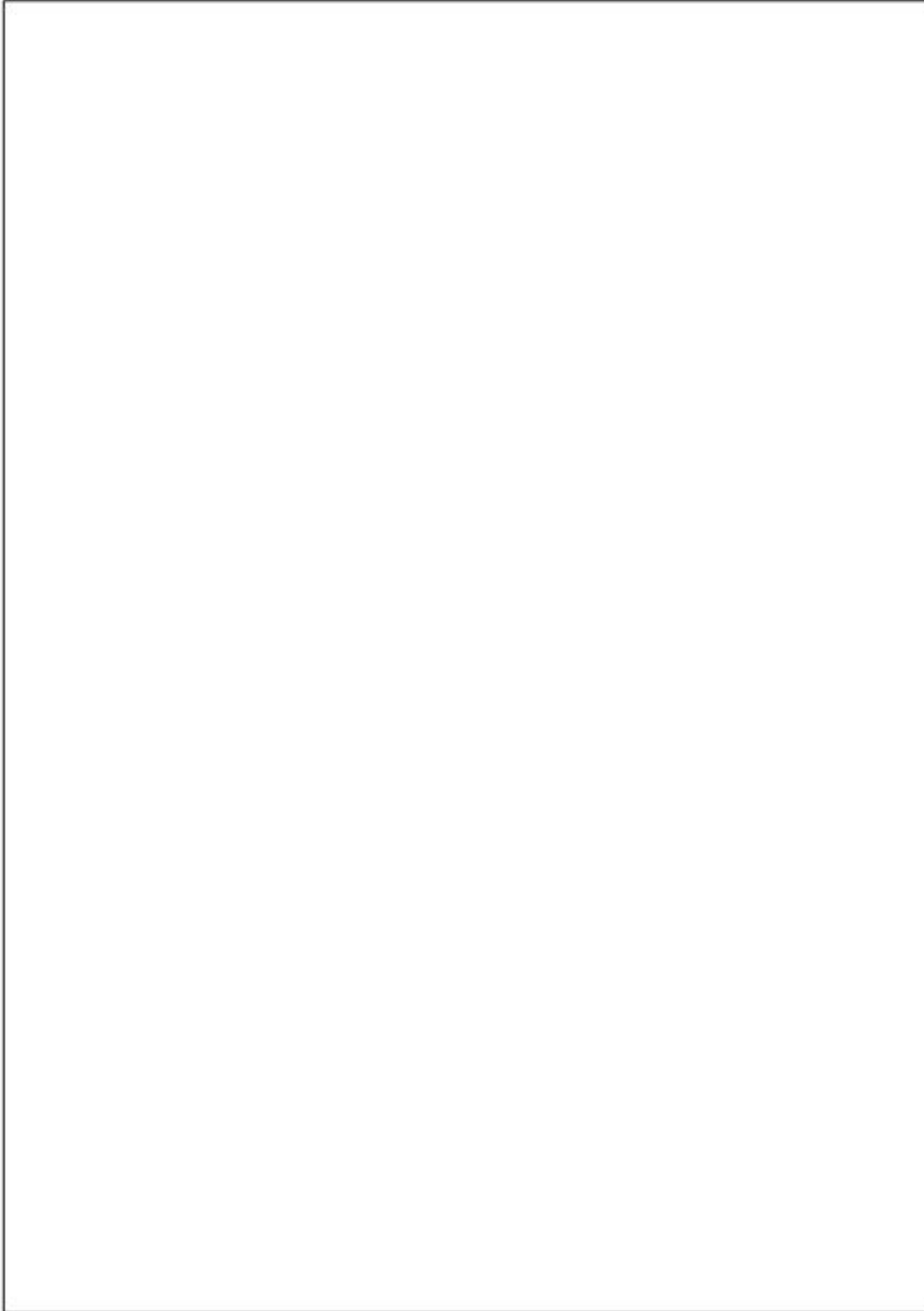
Dishwashers  
G 673 SC VI (G673VI)

EN/United States

04.12.2017  
© Miele & Cie. KG 2017

---

**122 Documents**



9999999-999