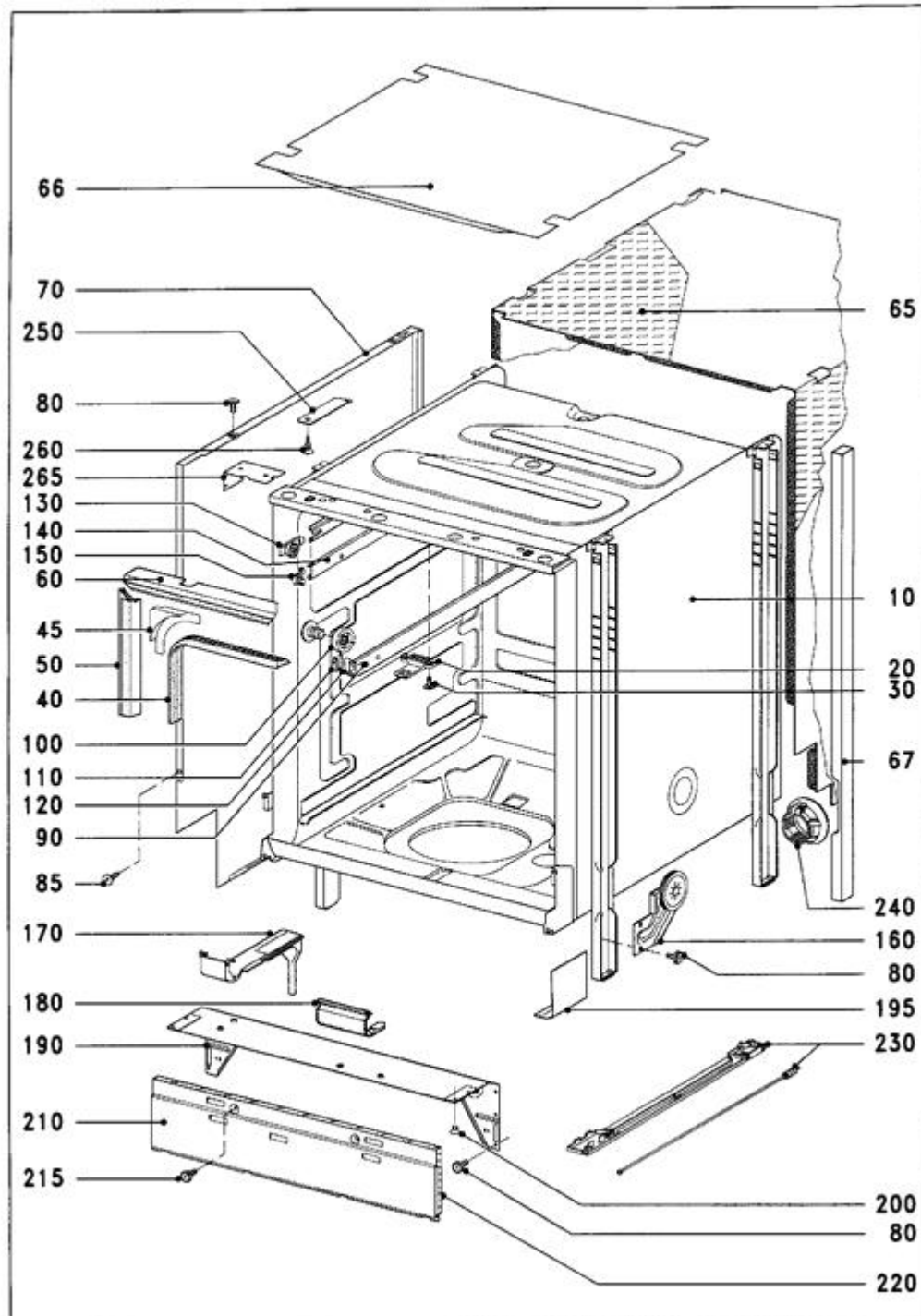
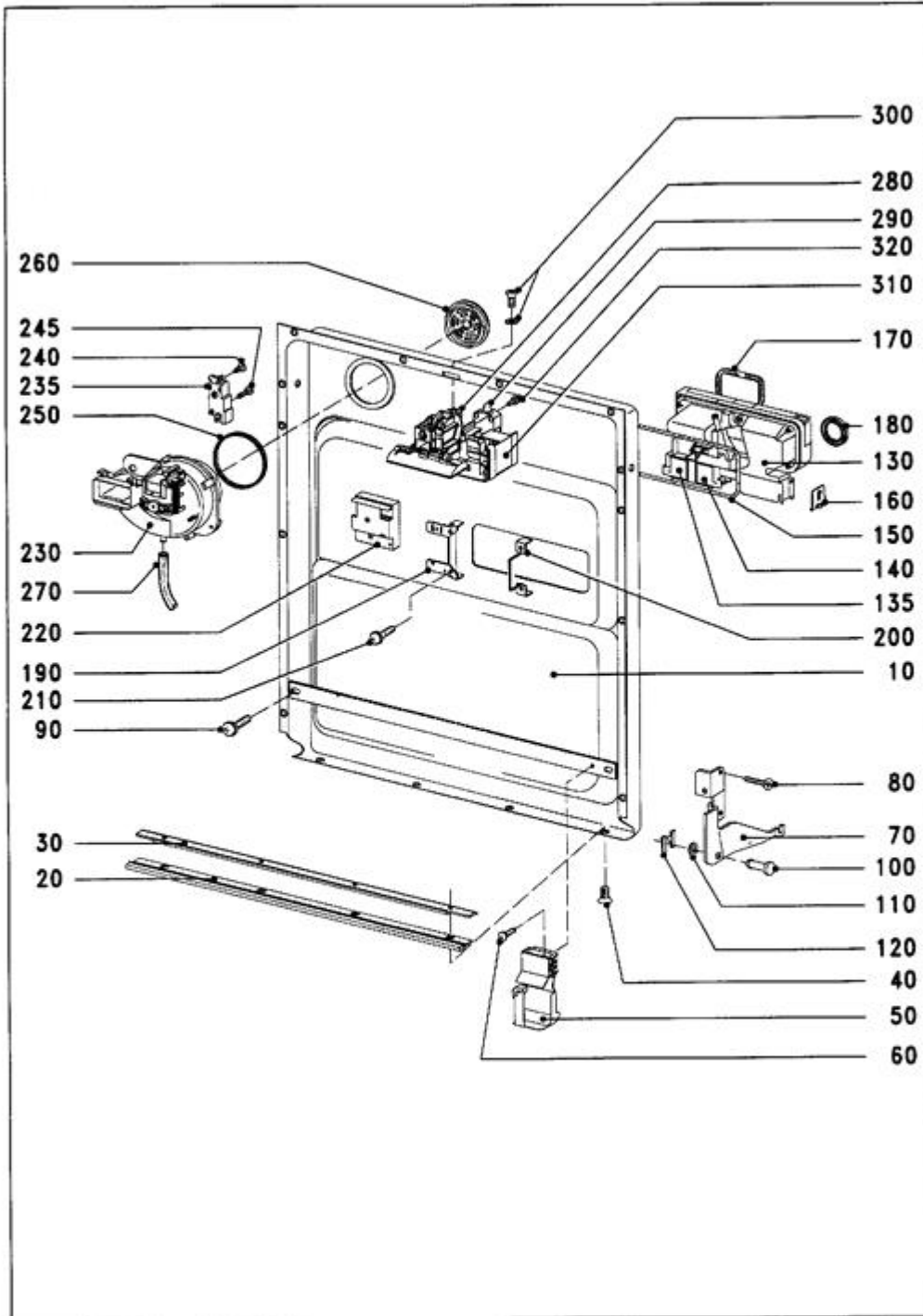


010 Inner cabinet



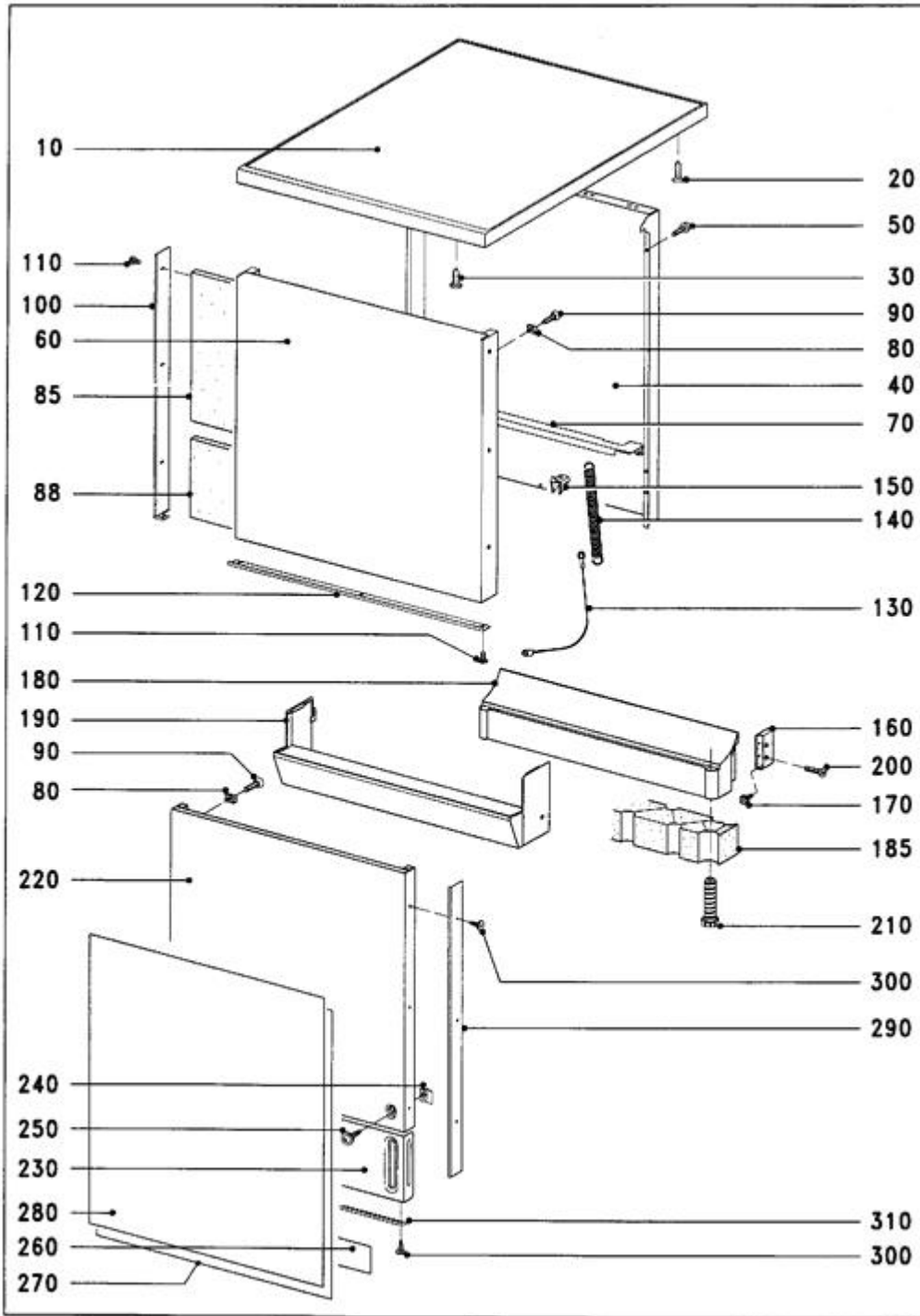
5531070-010

021 Door



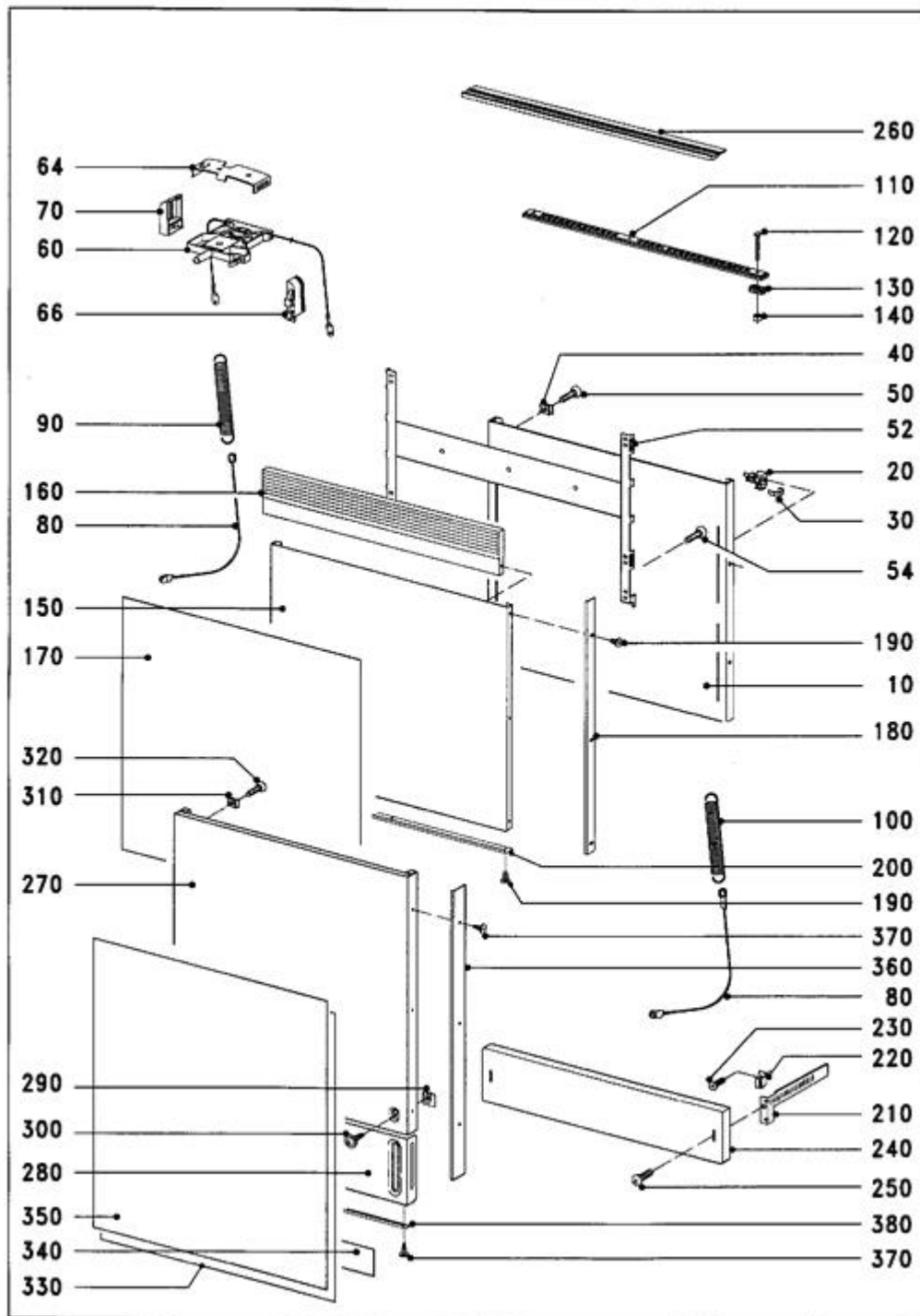
5531070-021

022 FRONTPANEL FREESTANDING DISHWASHER



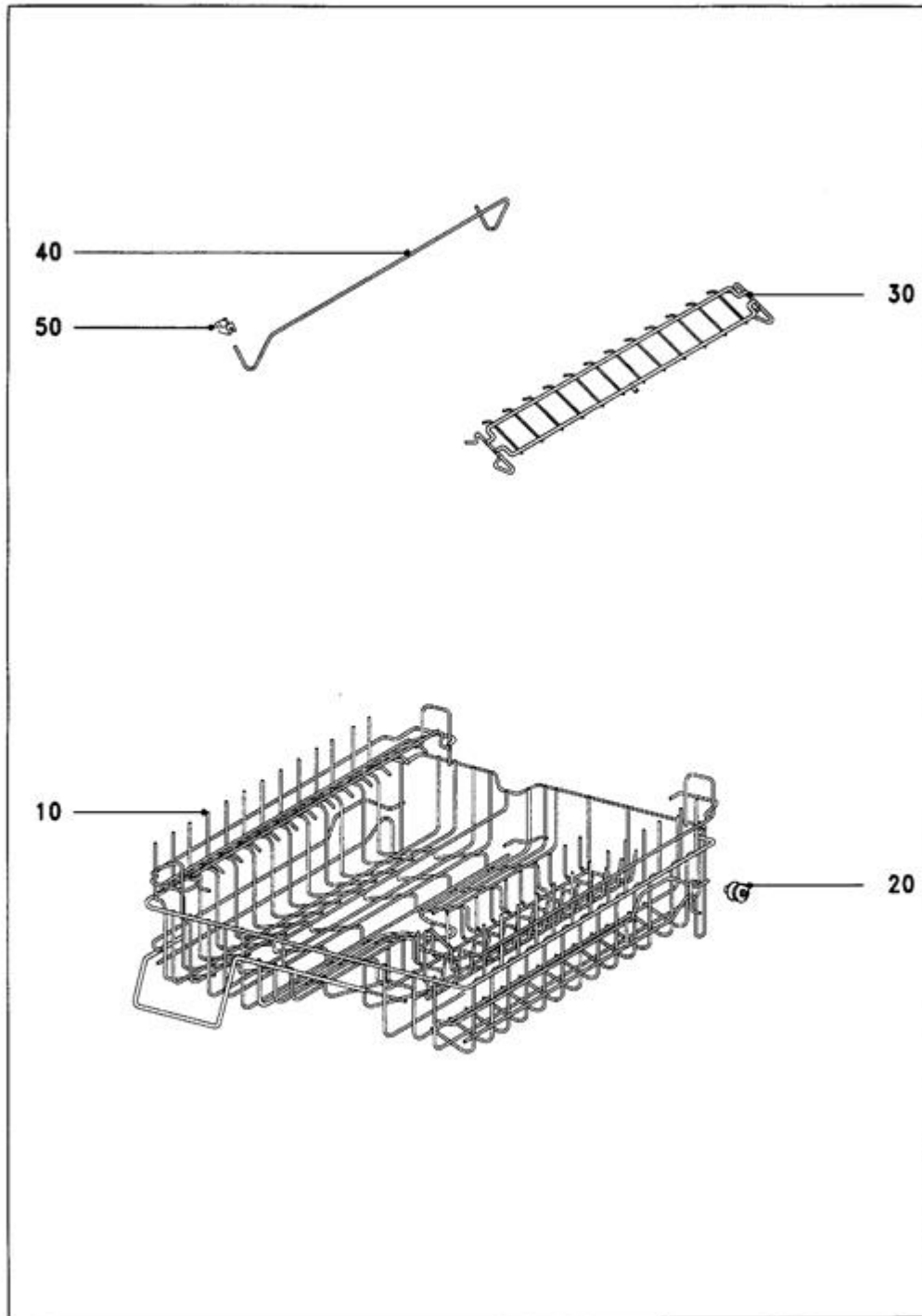
5525440-022

023 FRONTPANEL I VERSION DISHWASHER , GDU



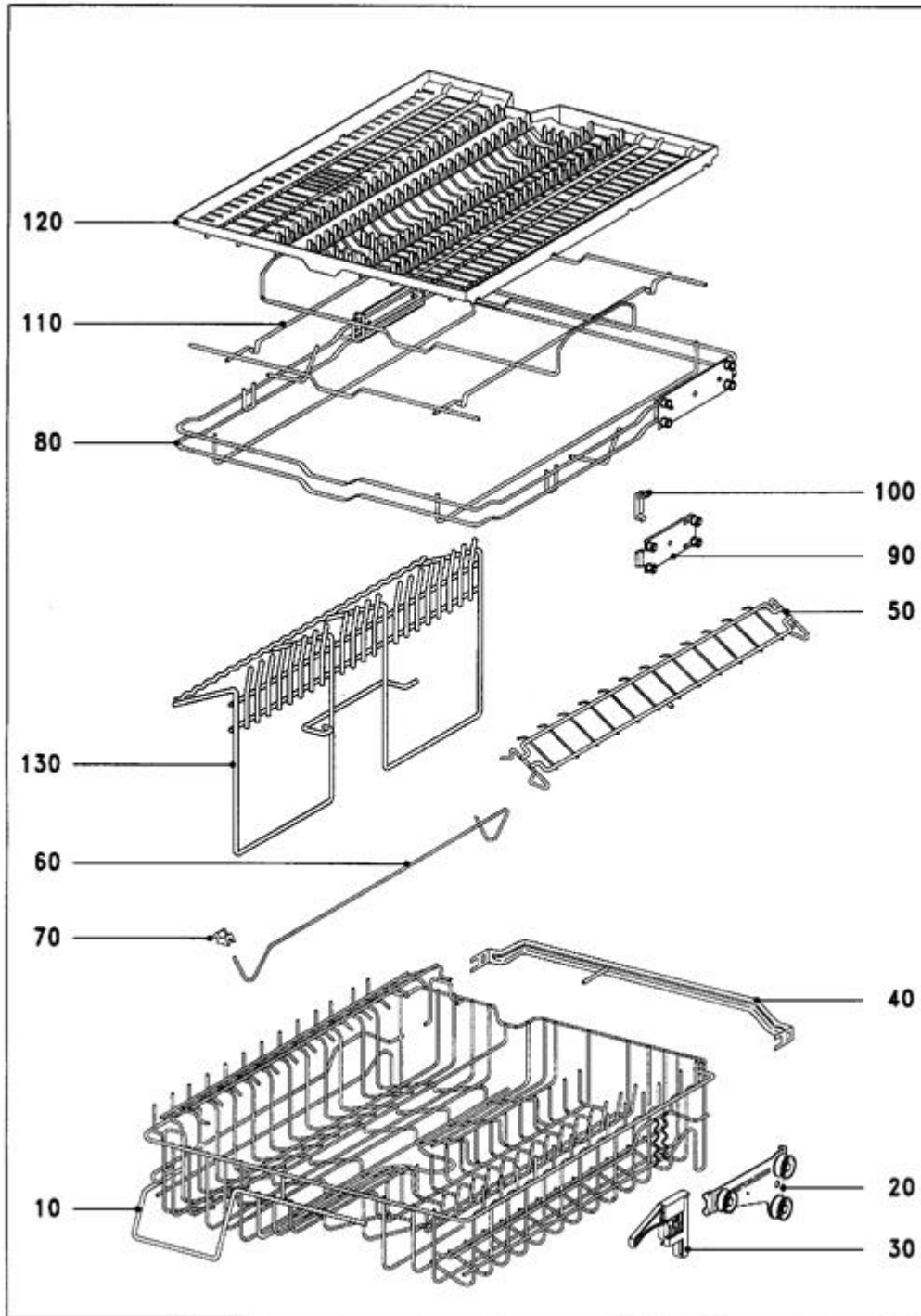
5072780-023

031 Top basket



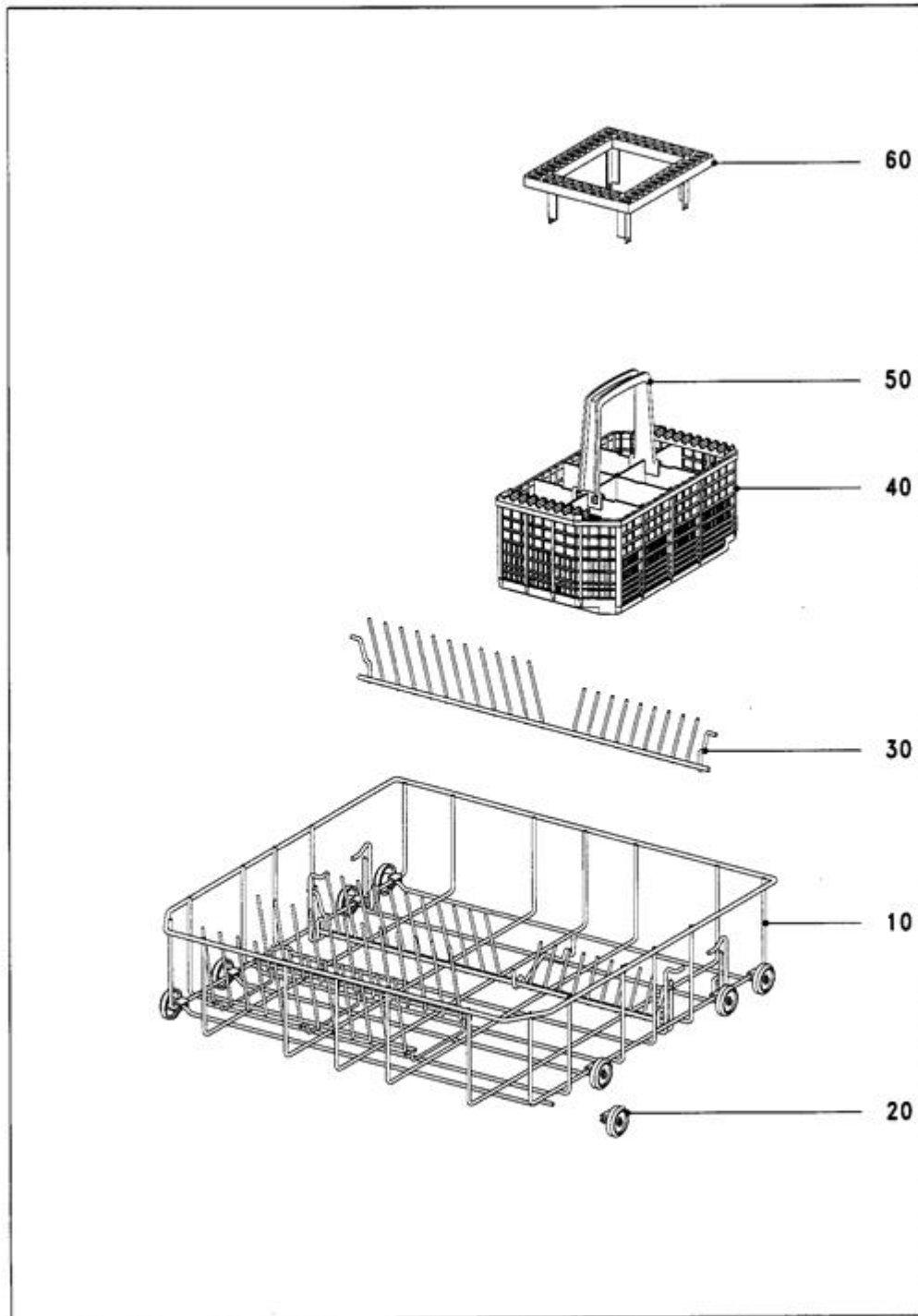
5525440-031

033 TOP BASKET SC



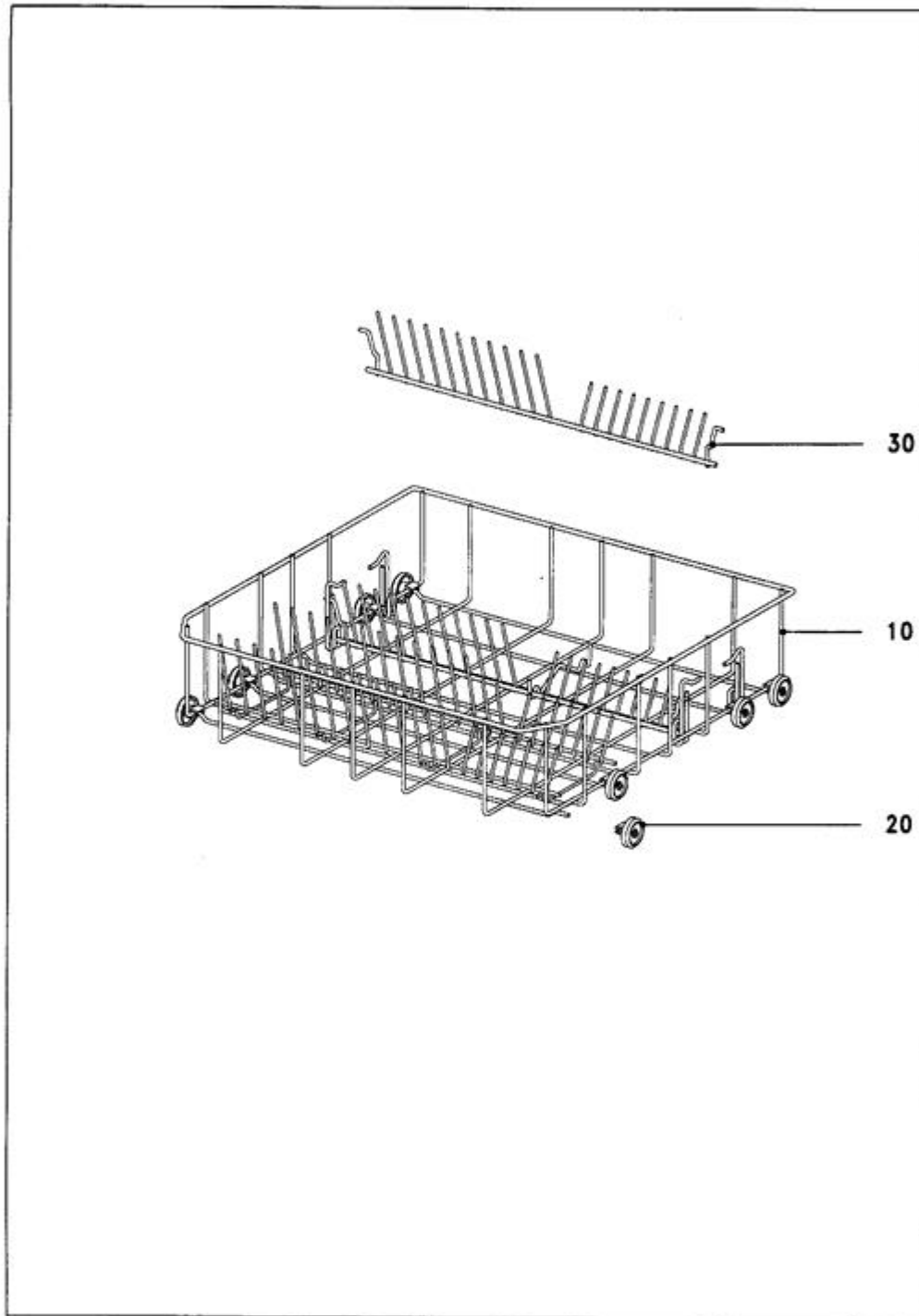
5525440-032

041 Bottom basket



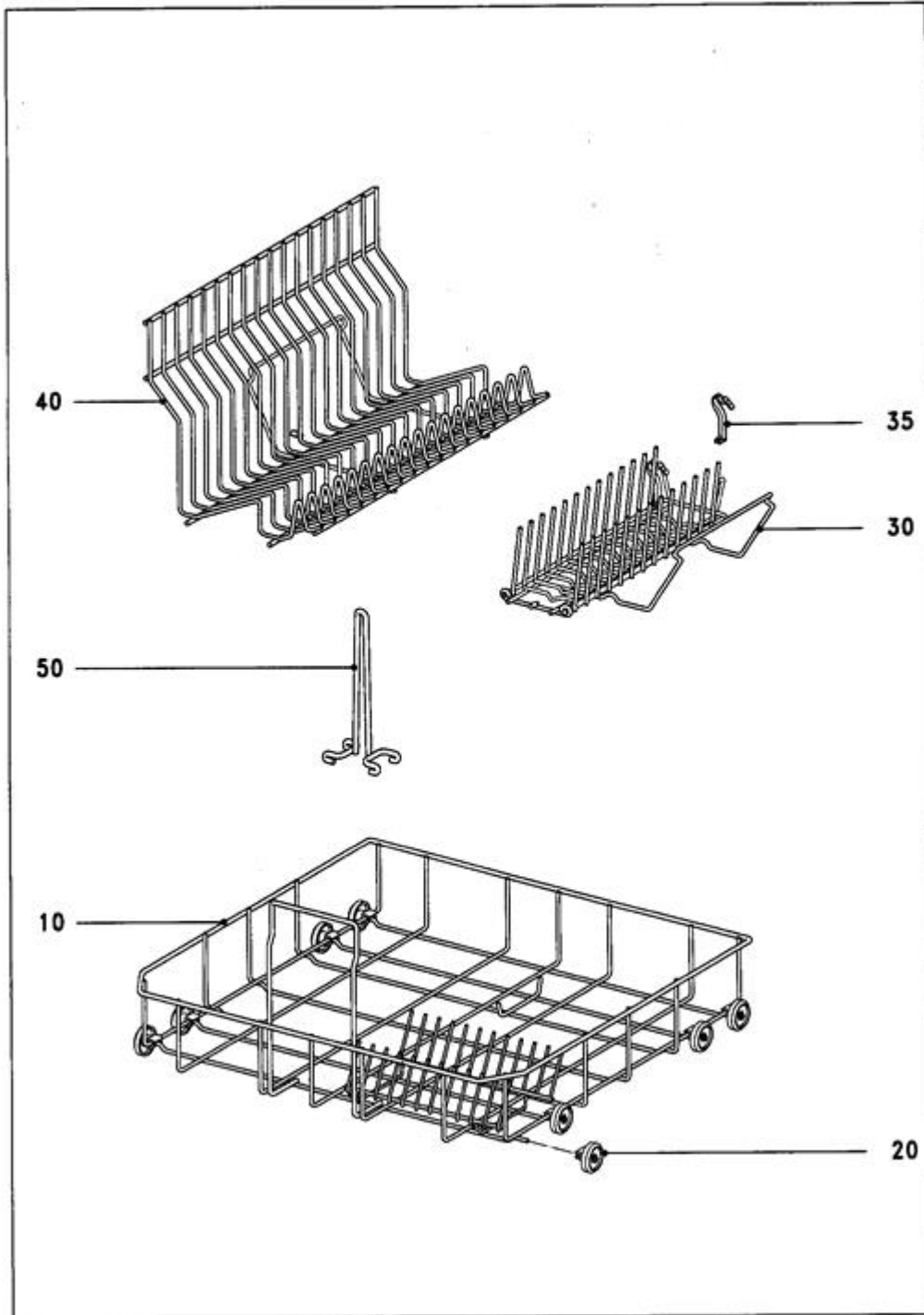
5525440-041

042 BOTTOM BASKET SC



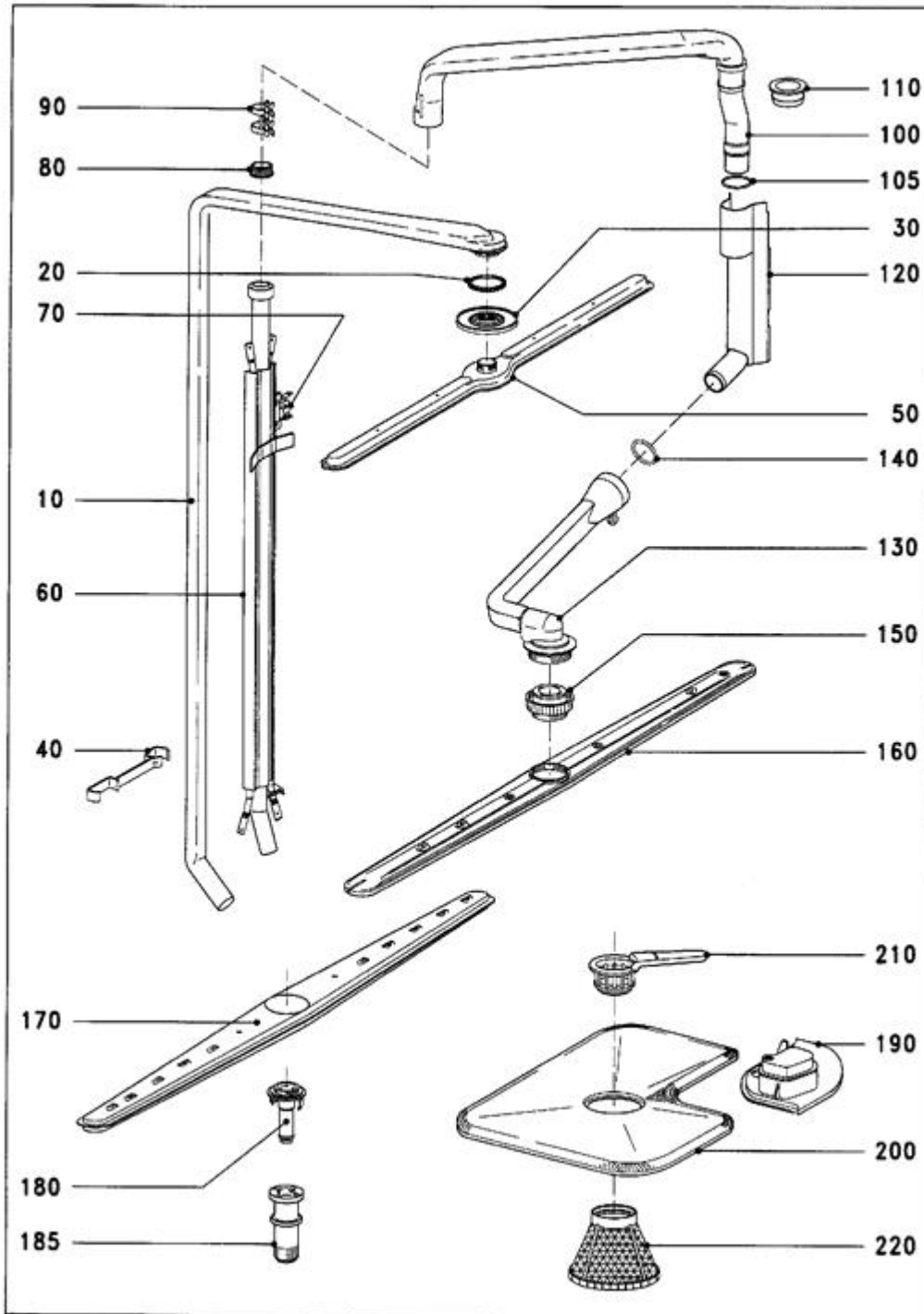
5525440-042

044 BOTTOM BASKET SC



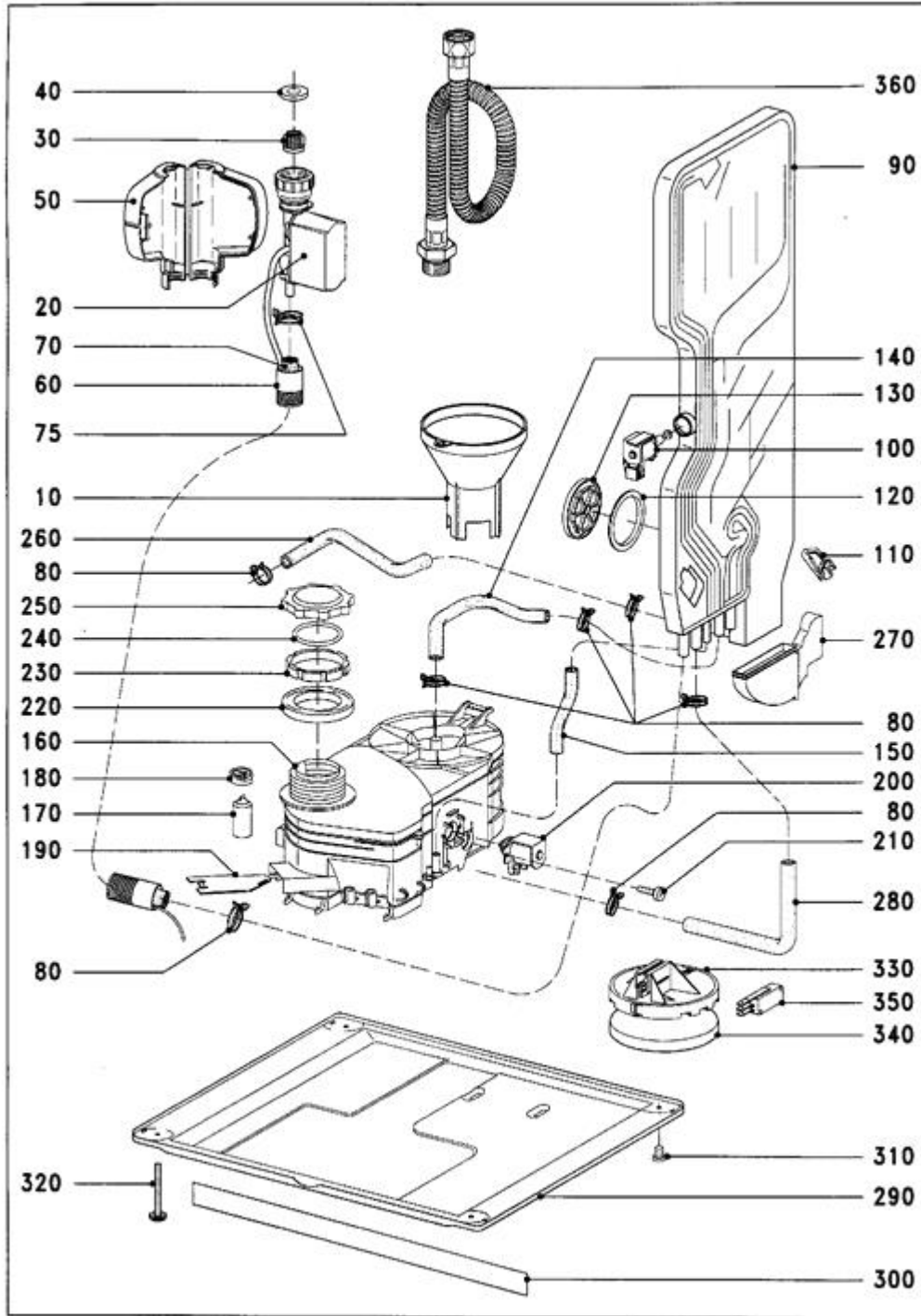
5531070-044

050 SPRAY SYSTEM-HEATER



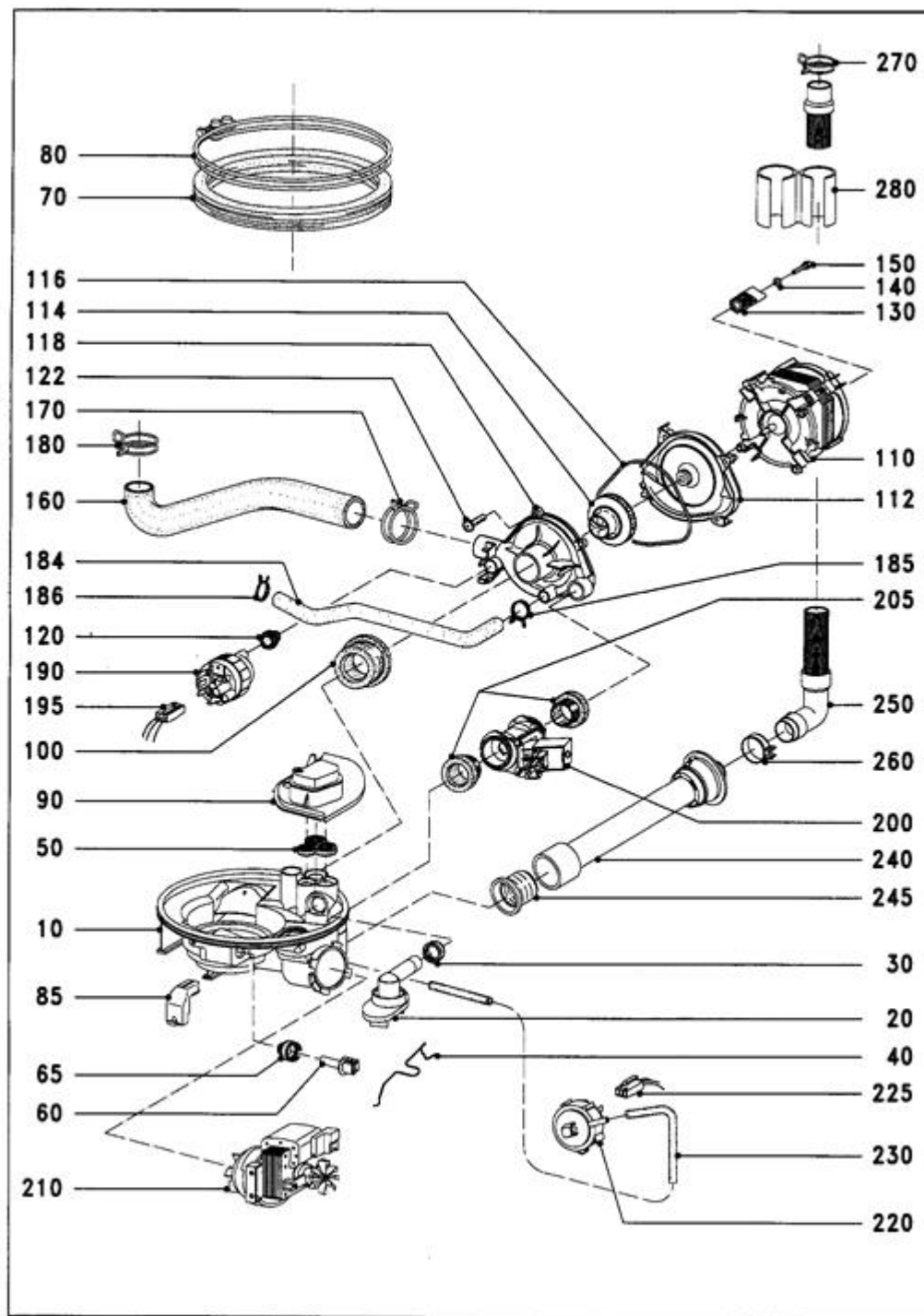
5525440-050

060 WATER INTAKE, WATER SOFTENER



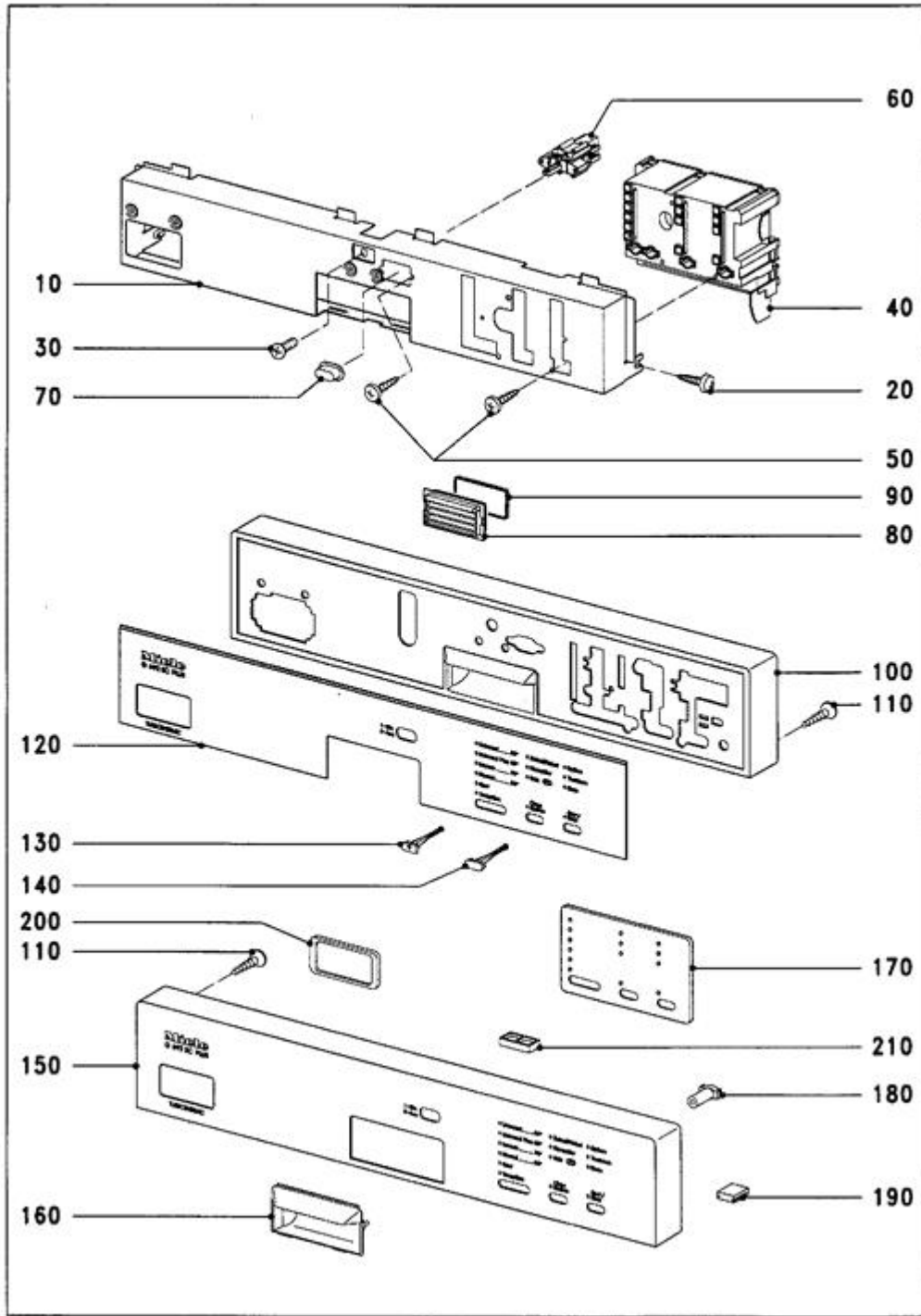
5531070-060

071 DRAINAGE,SUMP,CIRCULATION PUMP



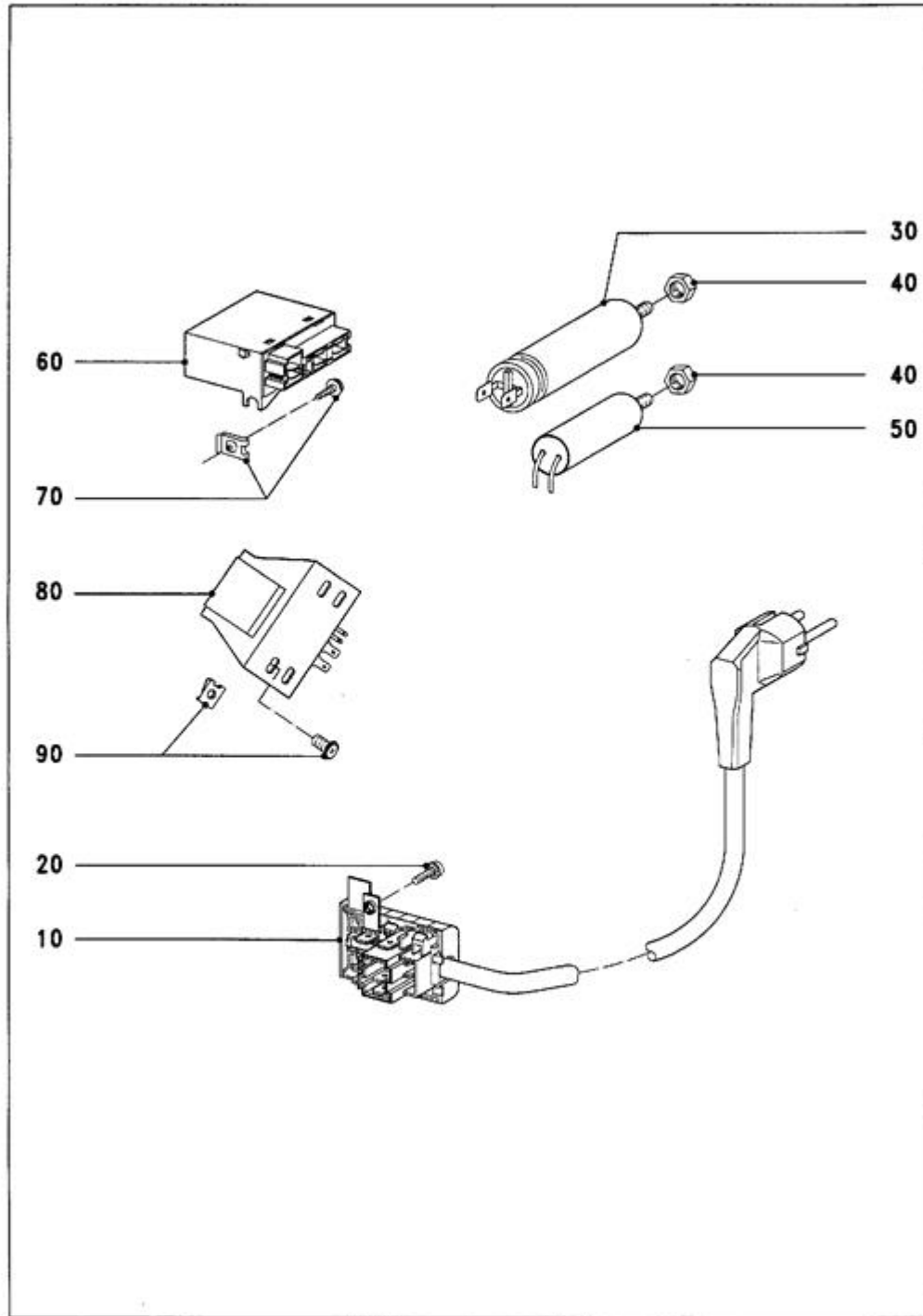
5531070-071

081 FACIA PANEL,ELECTRONIC UNIT G 692 PLUS



5531070-081

090 ELECTRICAL INSTALLATIONS



5531070-090