

# 12 REPLACEMENT PARTS LIST

**Note:**

1. Be sure to make your orders of replacement parts according to this list.
2. Important safety notice: Component, identified by **A** mark have special characteristics important for safety. when replacing any of these components, use only manufacturer's specified parts.
3. Location keys in the remarks column indicates the general location of the parts shown in the exploded drawing, as in a load map.
4. The marking (RTL) indicates that Retention Time is limited for this item. After the discontinuation of assembly in production, the item will continue to be availability is dependent on the type of assembly, and in accordance with the laws governing part and product retention. At the end of this period, the assembly will no longer be available.
5. "T" marks in remarks column are indicated supply parts of TAMACO.
  - Order intake period is basically six months after the first shipment

Ref. No.	Part No.	Part Name & Description	Remarks
<b>1. IC's and Transistors</b>			
<b>MAIN BLOCK [E-4C286]</b>			
IC251	C1BB00000804	IC	T
IC271	C1EA00000041	IC	T
IC401	C1BB00001088	IC	T
IC501	YEAMLC78691	IC	T
IC551	C1BB00000960	IC	T
IC601	LC7237849D10	IC	T
IC701	CODAZHF00004	IC	T
PA51	J3CCBC000010	Tuner	T
Q51	B1GDCFEH0001	Transistor	T
Q52	B1GDCFEH0001	Transistor	T
Q53	B1GBCFJJ0002	Transistor	T
Q71	B1AAEC000002	Transistor	T
Q101	B1CAHF000003	Transistor	T
Q211	YEANKRC110S	Transistor	T
Q221	YEANKRC110S	Transistor	T
Q311	YEANKRC110S	Transistor	T
Q321	YEANKRC110S	Transistor	T
Q441	YEAN2SA1317T	Transistor	T
Q471	B1BCCF000013	Transistor	T
Q551	B1ABCF000044	Transistor	T
Q681	B1GDCFNN0002	Transistor	T
Q682	B1GDCFNN0002	Transistor	T
Q751	B1GDCFNN0002	Transistor	T
Q752	B1GBCFCJ0005	Transistor	T
<b>DISPLAY BLOCK [E-4C287]</b>			
IC901	YEAMLC75854W	IC	T
IC902	B3RAB0000030	IC	T
Q901	YEANKRA102S	Transistor	T
<b>2. Diodes</b>			
<b>MAIN BLOCK [E-4C286]</b>			
D251	YEADMTZJ56CT	Zener Diode	T
D601	B0ACCK000005	Diode	T
D602	B0ACCK000005	Diode	T
D651	B0ACCK000005	Diode	T
D652	B0ACCK000005	Diode	T
D701	YEAD1N5404FT	Diode	T
D702	YEADSM5819A	Diode	T
D711	YEAD1N4005ST	Silicon Diode	T
D712	YEAD1N4005ST	Silicon Diode	T
D713	YEAD1N4005ST	Silicon Diode	T

Ref. No.	Part No.	Part Name & Description	Remarks
D714	YEAD1N4005ST	Silicon Diode	T
D715	YEAD1N4005ST	Silicon Diode	T
D716	YEAD1N4005ST	Silicon Diode	T
D717	YEAD1N4005ST	Silicon Diode	T
D719	YEAD1N4005ST	Silicon Diode	T
D720	YEAD1N4005ST	Silicon Diode	T
D751	B0BC6R700006	Diode	T
D871	B0ACCK000005	Diode	T
<b>DISPLAY BLOCK [E-4C287]</b>			
D901	YEADSPADB01	LED (BLUE)	T
D902	YEADSPADR01	LED (RED)	T
D903	YEADSPADR01	LED (RED)	T
D905	YEADSPADR01	LED (RED)	T
D906	YEADSPADR01	LED (RED)	T
D907	YEADSPADR01	LED (RED)	T
D908	YEADSPADR01	LED (RED)	T
D909	YEADSPADR01	LED (RED)	T
D910	YEADSPADR01	LED (RED)	T
D911	YEADSPADR01	LED (RED)	T
D912	YEADSPADR01	LED (RED)	T
D913	YEADSPADR01	LED (RED)	T
D951	B3AAB0000213	CHIP LED (WHITE)	T
D952	MAZ80560ML	Zener Diode	T
<b>3. Capacitors</b>			
<b>MAIN BLOCK [E-4C286]</b>			
C51	F1J1H470A732	Ceramic 47pF 50WV	T
C54	F2A1A101A354	Electrolytic 100pF 10WV	T
C55	F1J1H103A733	Ceramic 0.01MFD 50WV	T
C56	F1J1H223A733	Chip 0.022MFD 50WV	T
C57	F1J1H123A733	Ceramic 0.012MFD 50WV	T
C60	F1J1H104A036	Ceramic 0.1MFD 50WV	T
C61	F1J1H153A733	Ceramic 0.015MFD 50WV	T
C62	F1J1H153A733	Ceramic 0.015MFD 50WV	T
C71	F2A1A101A354	Electrolytic 100pF 10WV	T
C101	ECUV1H682KBM	Ceramic 6800PF 50WV	T
C103	F1J1H103A733	Ceramic 0.01MFD 50WV	T
C104	ECQV1H683JL2	Plastic Film 0.068MFD 50WV	T
C105	ECEA1AKA221IV	Electrolytic 220PF 10WV	T
C201	F1K1C105A051	Ceramic 1MFD 16WV	T
C202	ECUV105K16AT	Ceramic 1MFD 16WV	T
C204	F2A1H1R0A407	Electrolytic 1pF 50WV	T
C205	F2A1H2R2A407	Electrolytic 2.2pF 50WV	T
C208	F1J1H471A733	Ceramic 470pF 50WV	T
C209	F1J1H471A733	Ceramic 470pF 50WV	T
C211	F2A1H2R2A407	Electrolytic 2.2pF 50WV	T
C212	ECQV1H224JL2	Plastic Film 0.22MFD 50WV	T
C213	F1J1H222A733	Chip 2200pF 50WV	T
C221	F2A1H2R2A407	Electrolytic 2.2pF 50WV	T
C222	ECQV1H224JL2	Plastic Film 0.22MFD 50WV	T
C223	F1J1H222A733	Chip 2200pF 50WV	T
C224	F1J1H472A733	Ceramic 0.0047MFD 50WV	T
C251	F2A1C100A041	Electrolytic 10pF 16WV	T
C252	F1J1H103A733	Ceramic 0.01MFD 50WV	T
C253	ECEA1AKA221IV	Electrolytic 220PF 10WV	T
C254	F1J1H472A733	Ceramic 0.0047MFD 50WV	T
C271	F2A1H1R0A019	Electrolytic 1pF 50WV	T
C272	F1J1H103A733	Ceramic 0.01MFD 50WV	T
C273	F2A1A101A023	Electrolytic 100pF 10WV	T
C274	F2A1H1R0A407	Electrolytic 1pF 50WV	T
C275	F1J1H103A733	Ceramic 0.01MFD 50WV	T
C276	F2A1C100A041	Electrolytic 10pF 16WV	T
C301	F1K1C105A051	Ceramic 1MFD 16WV	T
C302	ECUV105K16AT	Ceramic 1MFD 16WV	T
C304	F2A1H1R0A407	Electrolytic 1pF 50WV	T
C309	F1J1H471A733	Ceramic 470pF 50WV	T
C311	F2A1H2R2A407	Electrolytic 2.2pF 50WV	T

Ref. No.	Part No.	Part Name & Description	Remarks
C312	ECQV1H224JL2	Plastic Film 0.22MFD 50WV	T
C313	F1J1H222A733	Chip 2200pF 50WV	T
C321	F2A1H2R2A407	Electrolytic 2.2pF 50WV	T
C322	ECQV1H224JL2	Plastic Film 0.22MFD 50WV	T
C323	F1J1H222A733	Chip 2200pF 50WV	T
C324	F1J1H472A733	Ceramic 0.0047MFD 50WV	T
C401	F2A1A101A023	Electrolytic 100pF 10WV	T
C402	F1J1H103A733	Ceramic 0.01MFD 50WV	T
C441	ECEA0JKA330IV	Electrolytic 33PF 6.3WV	T
C443	F1J1H103A733	Ceramic 0.01MFD 50WV	T
C444	F1J1H104A036	Ceramic 0.1MFD 50WV	T
C445	F3FD105A042	Ceramic 1MFD 20WV	T
C446	F1J1H104A036	Ceramic 0.1MFD 50WV	T
C447	EEAFC0J560H	Electrolytic 56PF 6.3WV	T
C448	F1J1H104A036	Ceramic 0.1MFD 50WV	T
C449	F1J1H104A036	Ceramic 0.1MFD 50WV	T
C450	F2A0J101A020	Electrolytic 100pF 6.3WV	T
C451	F2A0J101A049	Electrolytic 100pF 6.3WV	T
C471	F1J1H104A036	Ceramic 0.1MFD 50WV	T
C472	F2A1A101A354	Electrolytic 100pF 10WV	T
C473	EEAFC0J101H	Electrolytic 100PF 6.3WV	T
C474	F1J1H103A733	Ceramic 0.01MFD 50WV	T
C501	F1J1H472A733	Ceramic 0.0047MFD 50WV	T
C502	F1J1H103A733	Ceramic 0.01MFD 50WV	T
C503	F1J1H473A733	Ceramic 0.047MFD 50WV	T
C504	F1J1H563A733	Ceramic 0.056MFD 50WV	T
C505	F1J1H103A733	Ceramic 0.01MFD 50WV	T
C506	F1J1H102A733	Ceramic 1000pF 50WV	T
C507	F1J1H563A733	Ceramic 0.056MFD 50WV	T
C508	F1J1H103A733	Ceramic 0.01MFD 50WV	T
C509	F2A0J101A049	Electrolytic 100pF 6.3WV	T
C510	F1J1H104A036	Ceramic 0.1MFD 50WV	T
C511	ECUV105K16AT	Ceramic 1MFD 16WV	T
C512	F1J1H473A733	Ceramic 0.047MFD 50WV	T
C513	F1J1H104A036	Ceramic 0.1MFD 50WV	T
C514	F1J1H104A036	Ceramic 0.1MFD 50WV	T
C515	F2A0J101A049	Electrolytic 100pF 6.3WV	T
C516	F1J1H104A036	Ceramic 0.1MFD 50WV	T
C517	F2A0J101A049	Electrolytic 100pF 6.3WV	T
C518	F1J1H104A036	Ceramic 0.1MFD 50WV	T
C519	F1J1H680A732	Ceramic 68pF 50WV	T
C520	F1J1H680A732	Ceramic 68pF 50WV	T
C521	F1J1H104A036	Ceramic 0.1MFD 50WV	T
C522	F1J1H104A036	Ceramic 0.1MFD 50WV	T
C523	F1J1H104A036	Ceramic 0.1MFD 50WV	T
C524	ECUV105K16AT	Ceramic 1MFD 16WV	T
C525	F2A0J101A049	Electrolytic 100pF 6.3WV	T
C526	F1J1H104A036	Ceramic 0.1MFD 50WV	T
C527	F1J1H104A036	Ceramic 0.1MFD 50WV	T
C528	F1J1H104A036	Ceramic 0.1MFD 50WV	T
C529	F2A0J331A410	Electrolytic 330pF 6.3WV	T
C530	F1J1H104A036	Ceramic 0.1MFD 50WV	T
C531	F1J1H473A733	Ceramic 0.047MFD 50WV	T
C533	F1J1H104A036	Ceramic 0.1MFD 50WV	T
C534	F1J1H104A036	Ceramic 0.1MFD 50WV	T
C551	F1J1H271A733	Chip 270pF 50WV	T
C552	F1J1H104A036	Ceramic 0.1MFD 50WV	T
C553	F1J1H103A733	Ceramic 0.01MFD 50WV	T
C554	F2A0J470A407	Electrolytic 47pF 6.3WV	T
C555	F1J1H100A732	Ceramic 10pF 50WV	T
C556	F1J1H100A732	Ceramic 10pF 50WV	T
C557	F2A1C100A041	Electrolytic 10pF 16WV	T
C601	F1J1H220A732	Chip 22pF 50WV	T
C602	F1J1H220A732	Chip 22pF 50WV	T
C603	ECUV105K16AT	Ceramic 1MFD 16WV	T
C604	F1J1H103A733	Ceramic 0.01MFD 50WV	T
C605	F1J1H103A733	Ceramic 0.01MFD 50WV	T
C606	ECA0JM102J	Electrolytic 1000PF 6.3WV	T
C607	F1J1H103A733	Ceramic 0.01MFD 50WV	T
C608	F1J1H101A732	Ceramic 100pF 50WV	T
C609	F1J1C105A173	Ceramic 1MFD 16WV	T
C610	F1J1H103A733	Ceramic 0.01MFD 50WV	T
C631	F1J1H101A532	Ceramic 100pF 50WV	T

Ref. No.	Part No.	Part Name & Description	Remarks
C632	F1J1H101A532	Ceramic 100pF 50WV	T
C651	F1J1H104A036	Ceramic 0.1MFD 50WV	T
C681	F2A1H2R2A407	Electrolytic 2.2pF 50WV	T
C701	ECA1CPX222L	Electrolytic 2200PF 16WV	T
C702	F1J1H103A733	Ceramic 0.01MFD 50WV	T
C703	F1J1H103A733	Ceramic 0.01MFD 50WV	T
C704	F1J1H104A036	Ceramic 0.1MFD 50WV	T
C705	ECEA1CKA101IV	Electrolytic 100PF 16WV	T
C706	F1J1H103A733	Ceramic 0.01MFD 50WV	T
C707	F1J1H103A733	Ceramic 0.01MFD 50WV	T
C708	F1J1H103A733	Ceramic 0.01MFD 50WV	T
C709	EEAFC1A820H	Electrolytic 82PF 10WV	T
C710	F2A1A101A354	Electrolytic 100pF 10WV	T
C711	F1J1H103A733	Ceramic 0.01MFD 50WV	T
C712	F1J1H104A036	Ceramic 0.1MFD 50WV	T
C871	F1J1H104A036	Ceramic 0.1MFD 50WV	T
C872	F1J1H104A036	Ceramic 0.1MFD 50WV	T
C881	F1J1H104A036	Ceramic 0.1MFD 50WV	T
XL501	YEXL16M9X54A	Ceramic Filter	T
DISPLAY BLOCK [E-4C287]			
C901	F1J1H104A036	Ceramic 0.1MFD 50WV	T
C902	F1J1H103A733	Ceramic 0.01MFD 50WV	T
C903	F1J1H103A733	Ceramic 0.01MFD 50WV	T
C904	F1J1H681A733	Ceramic 680pF 50WV	T
C906	F1J1H103A733	Ceramic 0.01MFD 50WV	T
C907	F1J1H103A733	Ceramic 0.01MFD 50WV	T
CD INTERFACE BLOCK [E-4C288]			
C1	F1J1H104A036	Ceramic 0.1MFD 50WV	T
4. Resistors			
MAIN BLOCK [E-4C286]			
J1	ERJ8GX0R00V	Chip 0 ohms 1/8W	T
J2	ERJ8GX0R00V	Chip 0 ohms 1/8W	T
J3	ERJ8GX0R00V	Chip 0 ohms 1/8W	T
J4	ERJ8GX0R00V	Chip 0 ohms 1/8W	T
J5	ERJ8GX0R00V	Chip 0 ohms 1/8W	T
J6	ERJ8GX0R00V	Chip 0 ohms 1/8W	T
J7	ERJ8GX0R00V	Chip 0 ohms 1/8W	T
J8	ERJ8GX0R00V	Chip 0 ohms 1/8W	T
J9	ERJ8GX0R00V	Chip 0 ohms 1/8W	T
J10	ERJ8GX0R00V	Chip 0 ohms 1/8W	T
J11	ERJ8GX0R00V	Chip 0 ohms 1/8W	T
J12	ERJ8GX0R00V	Chip 0 ohms 1/8W	T
J13	ERJ8GX0R00V	Chip 0 ohms 1/8W	T
J14	ERJ8GX0R00V	Chip 0 ohms 1/8W	T
J15	ERJ8GX0R00V	Chip 0 ohms 1/8W	T
J16	ERJ8GX0R00V	Chip 0 ohms 1/8W	T
J18	ERJ8GX0R00V	Chip 0 ohms 1/8W	T
J19	ERJ8GX0R00V	Chip 0 ohms 1/8W	T
J20	ERJ8GX0R00V	Chip 0 ohms 1/8W	T
J21	ERJ8GX0R00V	Chip 0 ohms 1/8W	T
J22	ERJ8GX0R00V	Chip 0 ohms 1/8W	T
J23	ERJ8GX0R00V	Chip 0 ohms 1/8W	T
J24	ERJ8GX0R00V	Chip 0 ohms 1/8W	T
J26	ERJ8GX0R00V	Chip 0 ohms 1/8W	T
J27	ERJ8GX0R00V	Chip 0 ohms 1/8W	T
J28	ERJ8GX0R00V	Chip 0 ohms 1/8W	T
J29	ERJ8GX0R00V	Chip 0 ohms 1/8W	T
J31	ERJ8GX0R00V	Chip 0 ohms 1/8W	T
J33	ERJ8GX0R00V	Chip 0 ohms 1/8W	T
J34	ERJ8GX0R00V	Chip 0 ohms 1/8W	T
J35	ERJ8GX0R00V	Chip 0 ohms 1/8W	T
J36	ERJ8GX0R00V	Chip 0 ohms 1/8W	T
J37	ERJ8GX0R00V	Chip 0 ohms 1/8W	T
J38	ERJ8GX0R00V	Chip 0 ohms 1/8W	T
J39	ERJ8GX0R00V	Chip 0 ohms 1/8W	T
J40	ERJ8GX0R00V	Chip 0 ohms 1/8W	T
J41	ERJ8GX0R00V	Chip 0 ohms 1/8W	T

Ref. No.	Part No.	Part Name & Description	Remarks
J42	ERJ8GX0R00V	Chip 0 ohms 1/8W	T
J43	ERJ8GX0R00V	Chip 0 ohms 1/8W	T
J44	ERJ8GX0R00V	Chip 0 ohms 1/8W	T
J45	ERJ8GX0R00V	Chip 0 ohms 1/8W	T
J46	ERJ8GX0R00V	Chip 0 ohms 1/8W	T
J47	ERJ8GX0R00V	Chip 0 ohms 1/8W	T
J49	ERJ8GX0R00V	Chip 0 ohms 1/8W	T
J50	ERJ8GX0R00V	Chip 0 ohms 1/8W	T
J51	ERJ8GX0R00V	Chip 0 ohms 1/8W	T
J52	ERJ8GX0R00V	Chip 0 ohms 1/8W	T
J53	ERJ8GX0R00V	Chip 0 ohms 1/8W	T
J54	ERJ8GX0R00V	Chip 0 ohms 1/8W	T
J55	ERJ8GX0R00V	Chip 0 ohms 1/8W	T
J56	ERJ8GX0R00V	Chip 0 ohms 1/8W	T
J57	ERJ8GX0R00V	Chip 0 ohms 1/8W	T
J58	ERJ8GX0R00V	Chip 0 ohms 1/8W	T
R51	D0GD5R6JA052	Chip 5.6 ohms 1/10W	T
R52	ERJ8GX0R00V	Chip 0 ohms 1/8W	T
R53	D0GD101JA017	Chip 100 ohms 1/10W	T
R54	D0GD221JA017	Chip 220 ohms 1/10W	T
R55	ERJ8GX0R00V	Chip 0 ohms 1/8W	T
R56	D0GD393JA017	Chip 39k ohms 1/10W	T
R60	D0GD221JA017	Chip 220 ohms 1/10W	T
R61	ERJ8GX0R00V	Chip 0 ohms 1/8W	T
R62	ERJ8GX0R00V	Chip 0 ohms 1/8W	T
R63	ERJ8GX0R00V	Chip 0 ohms 1/8W	T
R64	ERJ8GX0R00V	Chip 0 ohms 1/8W	T
R71	D0GD102JA017	Chip 1k ohms 1/10W	T
R101	D0GD512JA017	Chip 5k ohms 1/8W	T
R102	D0GD331JA017	Chip 330 ohms 1/10W	T
R103	D0GD100JA017	Chip 10 ohms 1/10W	T
R205	D0GD472JA017	Chip 4.7k ohms 1/10W	T
R207	D0GD123JA017	Chip 12k ohms 1/10W	T
R209	D0GF682JA017	Chip 6.8k ohms 1/8W	T
R211	D0GD181JA017	Chip 180 ohms 1/10W	T
R212	ERJ6GEYJ561V	Chip 560 ohms 1/10W	T
R213	D0GD103JA017	Chip 10k ohms 1/10W	T
R221	D0GD181JA017	Chip 180 ohms 1/10W	T
R222	D0GD561JA017	Chip 560 ohms 1/10W	T
R223	D0GD103JA017	Chip 10k ohms 1/10W	T
R251	D0GD393JA017	Chip 39k ohms 1/10W	T
R252	D0GD473JA017	Chip 47k ohms 1/10W	T
R271	D0GF223JA017	Chip 22k ohms 1/8W	T
R273	ERJ8GX0R00V	Chip 0 ohms 1/8W	T
R274	ERJ8GX0R00V	Chip 0 ohms 1/8W	T
R277	D0GD682JA017	Chip 6.8k ohms 1/10W	T
R278	ERJ8GEYJ131V	Chip 130 ohms 1/8W	T
R305	D0GD472JA017	Chip 4.7k ohms 1/10W	T
R307	D0GD123JA017	Chip 12k ohms 1/10W	T
R309	D0GD682JA017	Chip 6.8k ohms 1/10W	T
R311	D0GD181JA017	Chip 180 ohms 1/10W	T
R312	D0GD561JA017	Chip 560 ohms 1/10W	T
R313	D0GD103JA017	Chip 10k ohms 1/10W	T
R321	D0GD181JA017	Chip 180 ohms 1/10W	T
R322	D0GD561JA017	Chip 560 ohms 1/10W	T
R323	D0GD103JA017	Chip 10k ohms 1/10W	T
R401	ERDS2TJ223T	Carbon 22k ohms 1/4W	T
R402	D0GD682JA017	Chip 6.8k ohms 1/10W	T
R403	D0AE223JA131	Chip 22k ohms 1/4W	T
R404	D0GD223JA017	Chip 22k ohms 1/10W	T
R405	D0GD153JA017	Chip 15k ohms 1/10W	T
R406	D0GD333JA017	Chip 33k ohms 1/10W	T
R407	D0GD622JA017	Chip 6.2k ohms 1/10W	T
R408	D0GF333JA017	Chip 33k ohms 1/9W	T
R409	D0GD622JA017	Chip 6.2k ohms 1/10W	T
R410	D0AZ103JA008	Chip 10k ohms 1/6W	T
R441	D0GD330JA017	Chip 33 ohms 1/10W	T
R442	D0GD3R3JA052	Chip 3.3 ohms 1/10W	T
R443	D0GD102JA017	Chip 1k ohms 1/10W	T
R444	D0GD102JA017	Chip 1k ohms 1/10W	T
R445	D0GD471JA017	Chip 470 ohms 1/10W	T
R471	D0GD163JA017	Chip 16k ohms 1/10W	T
R472	D0GF103JA014	Chip 10k ohms 1/8W	T

Ref. No.	Part No.	Part Name & Description	Remarks
R501	D0GD331JA017	Chip 330 ohms 1/10W	T
R502	ERJ8GX0R00V	Chip 0 ohms 1/8W	T
R503	ERJ8GX0R00V	Chip 0 ohms 1/8W	T
R504	D0GF472JA017	Chip 4.7k ohms 1/9W	T
R505	D0GF472JA017	Chip 4.7k ohms 1/9W	T
R506	D0GD681JA017	Chip 680 ohms 1/10W	T
R507	ERJ6GEYJ335V	Chip 33M ohms 1/10W	T
R508	D0GD681JA017	Chip 680 ohms 1/10W	T
R509	D0GD683JA017	Chip 68k ohms 1/10W	T
R510	D0GDR00JA017	Chip 0 ohms 1/10W	T
R511	D0GDR00JA017	Chip 0 ohms 1/10W	T
R512	D0GD273JA017	Chip 27k ohms 1/10W	T
R513	D0GD562JA017	Chip 5.6k ohms 1/10W	T
R514	D0GD273JA017	Chip 27k ohms 1/10W	T
R516	D0GD273JA017	Chip 27k ohms 1/10W	T
R517	D0AZ102JA008	Chip 1k ohms 1/6W	T
R518	D0AZ102JA008	Chip 1k ohms 1/6W	T
R519	D0GD220JA017	Chip 22 ohms 1/10W	T
R520	D0GD332JA017	Chip 3.3k ohms 1/10W	T
R521	D0GD151JA017	Chip 150 ohms 1/10W	T
R522	D0GD223JA017	Chip 22k ohms 1/10W	T
R523	D0GD470JA017	Chip 47 ohms 1/10W	T
R524	D0GD100JA017	Chip 10 ohms 1/10W	T
R525	D0GD221JA017	Chip 220 ohms 1/10W	T
R530	D0GD473JA017	Chip 47k ohms 1/10W	T
R551	D0GD334JA017	Chip 330k ohms 1/10W	T
R552	ERD25TJ222T	Carbon 2.2k ohms 1/4W	T
R553	D0GD102JA017	Chip 1k ohms 1/10W	T
R554	D0GD103JA017	Chip 10k ohms 1/10W	T
R555	D0GD225JA017	Chip 2.2M ohms 1/10W	T
R556	D0GD103JA017	Chip 10k ohms 1/10W	T
R557	ERJ8GX0R00V	Chip 0 ohms 1/8W	T
R558	ERJ8GX0R00V	Chip 0 ohms 1/8W	T
R601	D0GD473JA017	Chip 47k ohms 1/10W	T
R602	D0GD473JA017	Chip 47k ohms 1/10W	T
R605	D0GF473JA017	Chip 47k ohms 1/10W	T
R607	D0GF473JA017	Chip 47k ohms 1/10W	T
R610	D0GD222JA017	Chip 2.2k ohms 1/10W	T
R611	D0GD473JA017	Chip 47k ohms 1/10W	T
R612	D0GD103JA017	Chip 10k ohms 1/10W	T
R613	D0GD103JA017	Chip 10k ohms 1/10W	T
R614	D0GF102JA014	Chip 1k ohms 1/8W	T
R615	D0GD102JA017	Chip 1k ohms 1/10W	T
R616	D0GF473JA017	Chip 47k ohms 1/10W	T
R618	ERJ8GX0R00V	Chip 0 ohms 1/8W	T
R619	D0AE102JA131	Chip 1k ohms 1/4W	T
R620	D0GD102JA017	Chip 1k ohms 1/10W	T
R621	D0GD102JA017	Chip 1k ohms 1/10W	T
R622	D0GD102JA017	Chip 1k ohms 1/10W	T
R623	D0GD102JA017	Chip 1k ohms 1/10W	T
R624	D0GD473JA017	Chip 47k ohms 1/10W	T
R625	D0GD473JA017	Chip 47k ohms 1/10W	T
R626	D0GD473JA017	Chip 47k ohms 1/10W	T
R627	ERDS2TJ272T	Carbon 2.7k ohms 1/4W	T
R628	D0GD122JA017	Chip 1.2k ohms 1/10W	T
R633	D0GF511JA017	Chip 510 ohms 1/8W	T
R634	D0GDR00JA017	Chip 0 ohms 1/10W	T
R636	D0GD102JA017	Chip 1k ohms 1/10W	T
R637	D0GDR00JA017	Chip 0 ohms 1/10W	T
R638	D0GD333JA017	Chip 33k ohms 1/10W	T
R639	D0GD103JA017	Chip 10k ohms 1/10W	T
R640	D0AZ473JA008	Chip 47k ohms 1/6W	T
R641	D0GF473JA017	Chip 47k ohms 1/10W	T
R651	D0GF102JA014	Chip 1k ohms 1/8W	T
R652	D0GD104JA017	Chip 100k ohms 1/10W	T
R653	D0GD102JA017	Chip 1k ohms 1/10W	T
R654	D0GD104JA017	Chip 100k ohms 1/10W	T
R655	D0GD102JA017	Chip 1k ohms 1/10W	T
R656	D0GD102JA017	Chip 1k ohms 1/10W	T
R657	D0GD104JA017	Chip 100k ohms 1/10W	T
R658	D0GD102JA017	Chip 1k ohms 1/10W	T
R659	D0GD104JA017	Chip 100k ohms 1/10W	T
R660	D0GD122JA017	Chip 1.2k ohms 1/10W	T

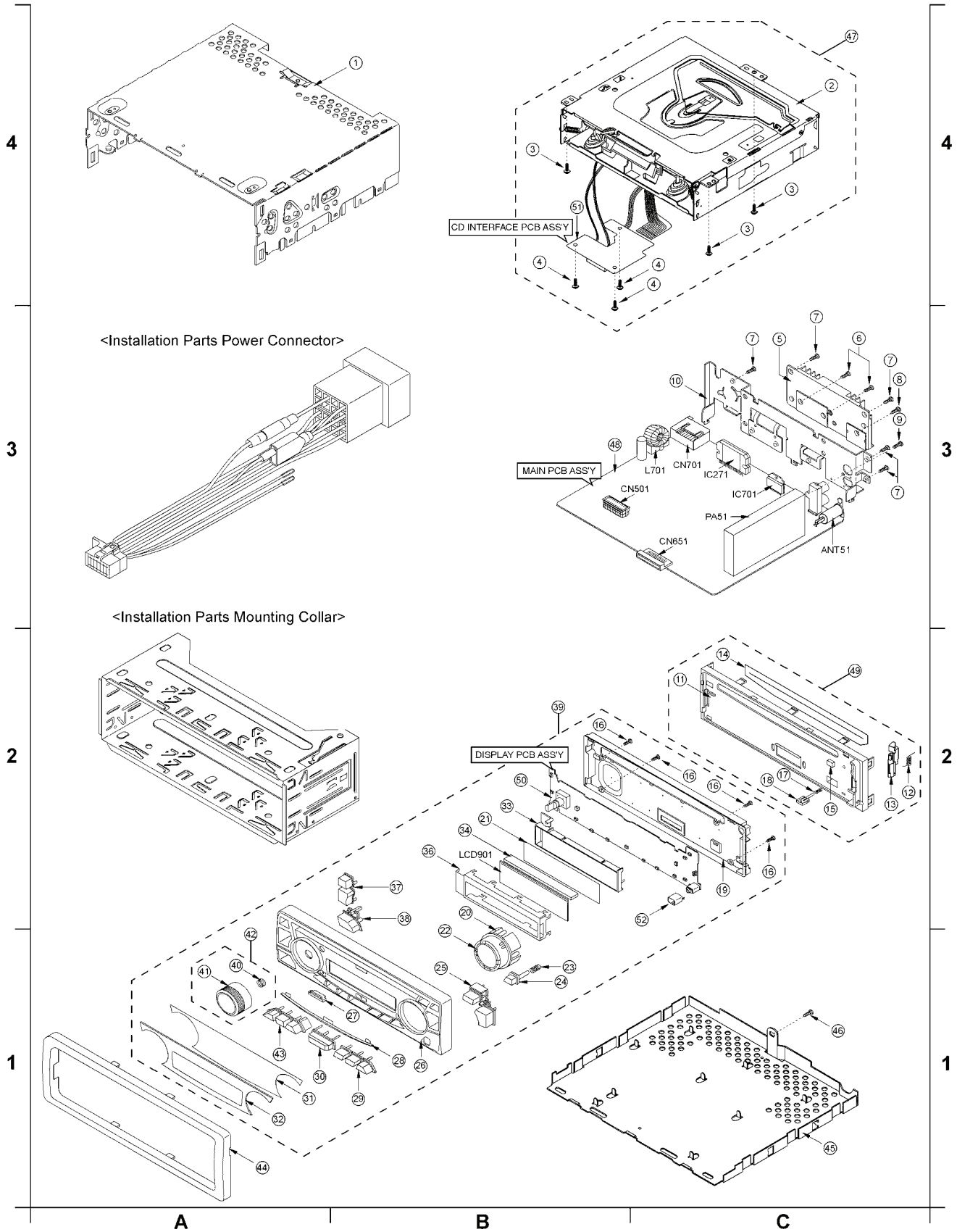
Ref. No.	Part No.	Part Name & Description	Remarks
R661	D0AZ104JA008	Chip 100k ohms 1/6W	T
R681	D0GD271JA017	Chip 270 ohms 1/10W	T
R682	D0GD272JA017	Chip 2.7k ohms 1/10W	T
R701	ERDS2TJ823T	Carbon8.2k ohms 1/4W	T
R703	D0AE102JA131	Chip 1k ohms 1/4W	T
R704	D0GD473JA017	Chip 47k ohms 1/10W	T
R705	D0GD102JA017	Chip 1k ohms 1/10W	T
R706	D0GD153JA017	Chip 15k ohms 1/10W	T
R707	D0GD332JA017	Chip 3.3k ohms 1/10W	T
R713	D0GD223JA017	Chip 22k ohms 1/10W	T
R751	D0GD333JA017	Chip 33k ohms 1/10W	T
R752	D0GD104JA017	Chip 100k ohms 1/10W	T
R753	D0GD473JA017	Chip 47k ohms 1/10W	T
R871	D0GD471JA017	Chip 470 ohms 1/10W	T
RA601	D1HB1024A031	Chip 1k ohms 1/16W	T
RA602	D1HB1024A031	Chip 1k ohms 1/16W	T
RA603	D1HB1024A031	Chip 1k ohms 1/16W	T
RA651	D1HB1024A031	Chip 1k ohms 1/16W	T
DISPLAY BLOCK [E-4C287]			
R901	ERJ8GX0R00V	Chip 0 ohms 1/8W	T
R902	D0GD4R7JA056	Chip 4.7 ohms 1/10W	T
R903	D0GD623JA052	Chip 62k ohms 1/10W	T
R904	D0GD681JA017	Chip 680 ohms 1/10W	T
R905	D0GD821JA017	Chip 820 ohms 1/10W	T
R906	D0GD561JA017	Chip 560 ohms 1/10W	T
R907	D0GD561JA017	Chip 560 ohms 1/10W	T
R908	D0GD561JA017	Chip 560 ohms 1/10W	T
R909	D0GD241JA017	Chip 240 ohms 1/10W	T
R912	D0GD102JA017	Chip 1k ohms 1/10W	T
R913	D0GD102JA017	Chip 1k ohms 1/10W	T
R914	D0GD102JA017	Chip 1k ohms 1/10W	T
R915	D0GD272JA017	Chip 2.7k ohms 1/10W	T
R916	D0GD102JA017	Chip 1k ohms 1/10W	T
R917	D0GD102JA017	Chip 1k ohms 1/10W	T
R918	D0GDR00JA017	Chip 0 ohms 1/10W	T
CD INTERFACE BLOCK [E-4C288]			
J30	ERJ8GX0R00V	Chip 0 ohms 1/8W	T
J31	ERJ8GX0R00V	Chip 0 ohms 1/8W	T
J32	ERJ8GX0R00V	Chip 0 ohms 1/8W	T
J33	ERJ8GX0R00V	Chip 0 ohms 1/8W	T
J34	ERJ8GX0R00V	Chip 0 ohms 1/8W	T
J35	ERJ8GX0R00V	Chip 0 ohms 1/8W	T
J36	ERJ8GX0R00V	Chip 0 ohms 1/8W	T
J37	ERJ8GX0R00V	Chip 0 ohms 1/8W	T
5. Connectors			
MAIN BLOCK [E-4C286]			
CN501	K1KA22A00001	Connector	T
CN651	YEAE4CCN068	Connector	T
CN701	K1FA116B0028	Connector	T
CN352	YEAE120002	Connector	T
DISPLAY BLOCK [E-4C287]			
CN901	YEAE4CCN067	Connector	T
CN951	YEAE4CCN069	Connector	T
CD SERVO BLOCK [E-4C288]			
CN1	YEAE4CCN075	Connector	T
CN2	YEAE4CCN057A	Connector	T
6. Electric Parts			
SWITCHES			
SW901	K0H1BA000445	Tack Swich	T
SW902	K0H1BA000445	Tack Swich	T
SW903	K0H1BA000445	Tack Swich	T

Ref. No.	Part No.	Part Name & Description	Remarks
SW904	K0H1BA000445	Tack Swich	T
SW905	K0H1BA000445	Tack Swich	T
SW906	K0H1BA000445	Tack Swich	T
SW907	K0H1BA000445	Tack Swich	T
SW908	K0H1BA000445	Tack Swich	T
SW909	K0H1BA000445	Tack Swich	T
SW910	K0H1BA000445	Tack Swich	T
SW911	K0H1BA000445	Tack Swich	T
SW912	K0H1BA000445	Tack Swich	T
SW913	K0H1BA000445	Tack Swich	T
SW914	K0H1BA000445	Tack Swich	T
SW915	K0H1BA000445	Tack Swich	T
SW916	K0H1BA000445	Tack Swich	T
SW951	K9AA024A0014	Encoder	T
CRYSTAL			
XL551	YEXL4C4332TT	Crystal (7.2MHz)	T
XL601	H0A450000001	Crystal	T
COILS			
L51	G1C150JA0036	Coil	T
L52	G1CR56JA0036	Coil	T
L71	G1C8R2JA0036	Coil	T
L501	G1C2R2J00002	Coil	T
L502	G1C2R2J00002	Coil	T
L551	YELT03N330JT	Coil	T
L701	YETQ024C065V	Choke Coil	T
LCD			
LCD901	YEXDCM4C132	LCD	T
SURGE PROTECTOR			
Z51	D4ZZ00000024	Surge Protector	T
7. Accessories			
PRINT			
	YFM284C506CA	Operating Instructions (ENGLISH)	T
	YFM284C507CA	Operating Instructions (GERMANY)	T
	YFM284C508CA	Operating Instructions (FRANCE)	T
	YFM284C511CA	Operating Instructions (ITALY)	T
	YFM284C512CA	Operating Instructions (SPAIN)	T
	YFM284C509CA	Operating Instructions (HOLLAND)	T
	YFM284C510CA	Operating Instructions (SWEDEN)	T
	YFM284C513CA	Operating Instructions (DENMARK)	T
	YFM284C518CA	Installation Instructions	T
	YFM284C519CA	Installation Instructions	T
INSTALLATION PARTS			
	FX0214C384ZA	Escape Case	T
	ZZCORD-1021NW	Power Connector	T
	ZZBISC1021N-J	Screw Kit	T
	YFC054C061ZA	Removable Front Panel Case	T
8. Mechanical Parts			
MISCELLANEOUS			
ANT51	YAA104C700ZA	ANT Jack	T (3-C)
1	YFA034C053CA	Upper Cover	T (4-B)
2	YGFD044C002	CD Deck	T (4-C)
3	XTB26+5FFN	Screw	T (4-C)
4	XTW2+5FFN	Screw	T (4-C)
5	YFF014C055CA	Heat Sink	T (3-C)
6	YEJT034C019N	Screw (CUP TIGHT 3X12)	T (3-C)

Ref. No.	Part No.	Part Name & Description	Remarks
7	XTB3+8FFZ	Screw	T(3-C)
8	YJS064C002FN	Screw	T(3-C)
9	XTB26+8GFN	Screw	T(3-C)
10	YFA084C063CA	Rear Plate	T(3-C)
11	YFC034C002CA	ESC Holder	T(2-C)
12	YFX054C074CA	Spring (HOOK)	T(2-C)
13	YEFX9991682B	Release Hook	T(2-C)
14	YEFS02302	Dust Felt	T(2-C)
15	YEFS011113	Pad	T(2-C)
16	XTN2+8GFZ	Screw	T(2-C)
17	YFX054C071CA	Spring (PUSH BUTTON)	T(2-C)
18	YFE134C491YA	Button (Push)	T(2-C)
19	YFC024C699CA	ESC Rear Cover	T(2-C)
20	YFE134C510CA	Button (TUNE/TRACK) Ring	T(2-B)
21	YFV024C108CA	Sheet	T(2-B)
22	YFE134C511CA	Button (TUNE/TRACK)	T(2-B)
23	YFX054C072CA	Spring (OPEN)	T(1-B)
24	YFE134C505CA	Button(RELEASE)	T(1-B)
25	YFE134C508CA	Button (DISP/EJ)	T(1-B)
26	YFC034C009CA	ESC Printing	T(1-B)
27	YFX014C091CA	Panel Light (CD)	T(1-B)
28	YFJ014C164CA	ARC Panel	T(1-B)
29	YFE134C513CA	Button (4-6)	T(1-B)
30	YFE134C514CA	Button (SRC/PWR)	T(1-A)
31	YFX994C126CA	Two-Side Tape	T(1-A)
32	YFJ014C169CA	Ornament Panel	T(1-A)
33	YFX014C090CA	Back Light Assy	T(2-B)
34	YFS014C110CA	Rubber Gum	T(2-B)
36	YFX214C405CA	LCD Bracket	T(2-B)
37	YFE134C506CA	Button(BAND/MUTE)	T(2-B)
38	YFE134C507CA	Button (SQ)	T(2-B)
39	ESCC1313NW-J	ESC Unit Assy	T(2-B)/RTL
40	YFX054C073CA	Spring (KNOB)	T(1-A)
41	YFE074C068CA	Vol Knob	T(1-A)
42	YFE074C069CA	VOL Knob ASSY	T(1-A)
43	YFE134C512CA	Button (1-3)	T(1-A)
44	YFC054C079YA	Trim Plate	T(1-A)
45	YFA054C042ZA	Bottom Cover	T(3-C)
46	XSB3+6FN	Screw	T(1-C)
47	AADK288E0-J	Deck Assy	T(4-C)/RTL
48	AAPB286G0-J	Main PCB Ass'y	T(3-C)/RTL
49	ZZFP-192	ESC Hold Assy	T(2-C)
50	APCB287G0-J	Display PCB Assy	T(2-B)/RTL
51	APCB288A0-J	CD Interface PCB Assy	T(4-B)/RTL
52	YFX214C407CA	AUX Bracket	T(2-C)

# 13 EXPLODED VIEW (Unit)

■ Numbers in ○ are indicated REF.No.in the REPLACEMENT PARTS LIST



# 14 CD PLAYER MECHANICAL PARTS LIST

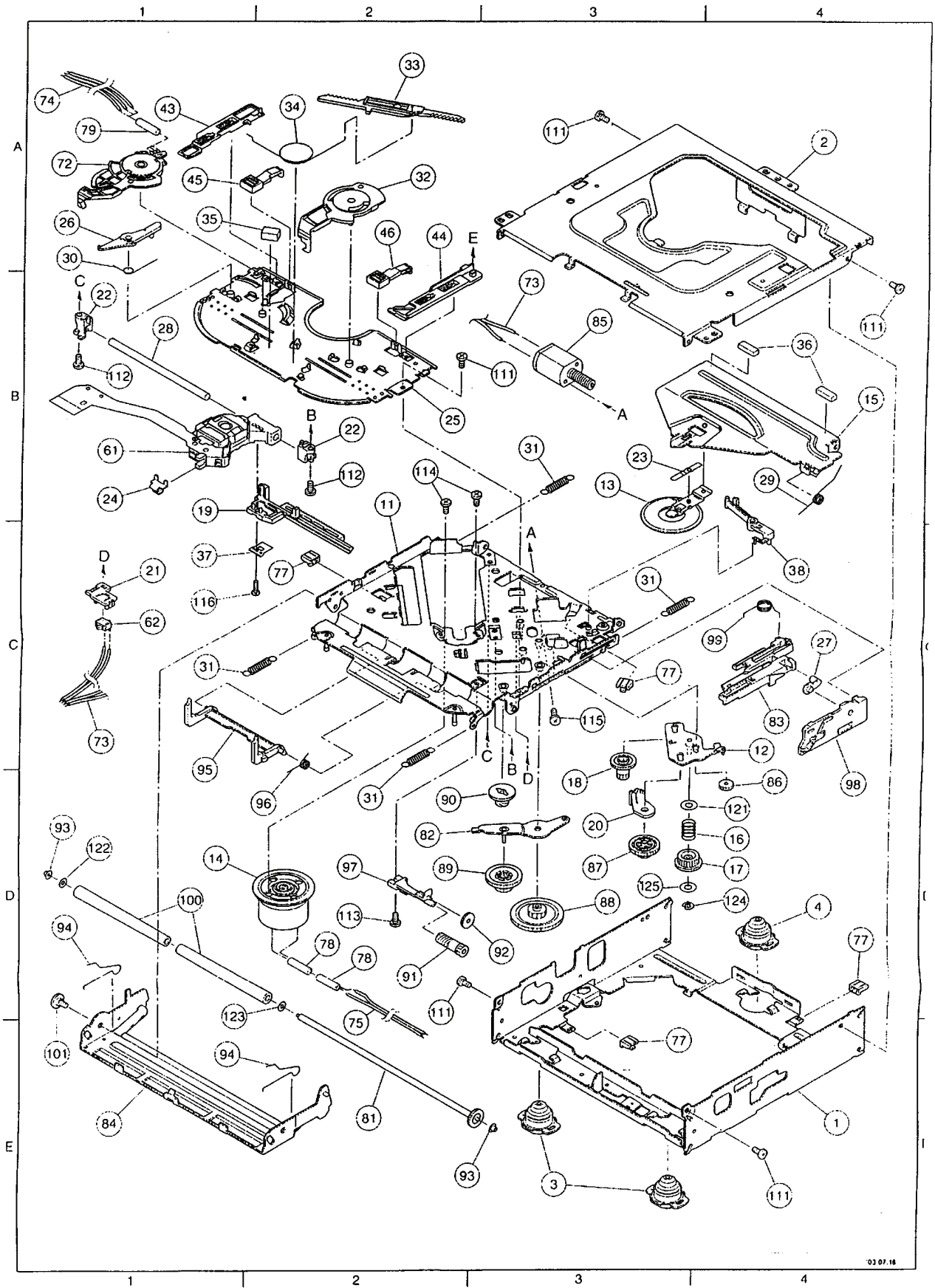
## Note:

1. Be sure to make your orders of replacement parts according to this list.
2. Important safety notice: Component, identified by **A** mark have special characteristics important for safety. when replacing any of these components, use only manufacturer's specified parts.
3. Location keys in the remarks column indicates the general location of the parts shown in the exploded drawing, as in a load map.
4. The marking (RTL) indicates that Retention Time is limited for this item. After the discontinuation of assembly in production, the item will continue to be availability is dependent on the type of assembly, and in accordance with the laws governing part and product retention. At the end of this period, the assembly will no longer be available.
5. "T" marks in remarks column are indicated supply parts of TAMACO.
  - Order intake period is basically six months after the first shipment
  - \* "N" marks in remarks column are indicated supply parts as not available and to order the assembly

Ref. No.	Part No.	Part Name & Description	Remarks
1	3032 01 36	FRAME (M2)	N(E-4)
2	3032 01 37	TOP COVER (M2)	N(A-4)
3	3032 01 15	DAMPER F	N(E-3)
4	3032 01 16	DAMPER R	N(D-4)
11	3032 05 508	CHASSIS RIVET ASS'Y(M2)	N(B-2)
12	3032 05 504	CHASSIS PLTAE RIVET ASS'Y (M)	N(C-4)
13	3032 05 301	CLAMPER ASS'Y	N(B-3)
14	3032 05 307	SPINDLE MOTOR (M) ASS'Y	T(D-1)
15	3032 05 56	CLAMPER ARM M	N(B-4)
16	3032 05 03	CHANGE GEAR SPRING	N(D-4)
17	3032 05 05	CHANGE GEAR 2	N(D-4)
18	3032 05 06	FEED GEAR	N(D-3)
19	3032 05 51	FEED RACK M	N(B-1)
20	3032 05 53	CHANGE LOCK LEVER M	N(D-3)
21	3032 05 57	FEED SW HOLDER (M)	N(C-1)
22	3032 05 54	PU SHAFT HOLDER (M)	N(B-1); N(B-2)
23	3032 05 13	CLAMPER SUB SPRING	N(B-3)
24	3032 05 58	FD SUB HOLDER M	N(B-1)
25	3032 05 65	TOP PLATE (M2)	N(B-2)
26	3032 05 19	SELECT LOCK ARM	N(A-1)
27	3032 05 21	SLIDE HOOK	N(C-4)
28	3032 05 55	PU SHAFT M	N(B-1)
29	3032 05 59	CLAMPER ARM SPRING M	N(B-4)
30	3032 05 26	SELECT LOCK ARM SPRING	N(A-1)
31	3032 05 62	SUSPENSION SPRING MS	N(B-3); N(C-1); N(C-4); N(D-2)
32	3032 05 64	SELECT ARM R (M2)	N(A-2)
33	3032 05 30	LINK PLATE	N(A-2)
34	3032 05 36	LINK PLATE SPRING S	N(A-2)
35	3032 05 23	CUSHION F	N(A-1)
36	3032 05 24	CUSHION R	N(B-4)
37	3032 05 63	FEED SPR PLATE M	N(C-2)
38	3032 05 61	TRIGGER ARM M	N(C-4)
43	3032 08 03	SELECT PLATE L	N(A-1)
44	3032 08 04	SELECT PLATE R	N(A-2)
45	3032 08 05	SELECT PIECE L	N(A-1)
46	3032 08 06	SELECT PIECE R	N(A-2)
61	6904 16 06	PICK UP RD-DAP005-TN	T(B-1)
62	6418 04 07	DET SW ESE 22MH55	N(C-1)
72	3032 10 02	MODE SW	T(A-1)
73	3032 10 51	LD WIRE MN	T(B-3); T(C-1)
74	3032 10 40	SW WIRE MN	N(A-1)

Ref. No.	Part No.	Part Name & Description	Remarks
75	3032 10 39	SP WIRE MN	N(D-2)
77	3032 10 13	WIRE CLAMPER M	N(C-2); N(C-3); N(D-4); N(E-3)
78	3032 10 28	WIRE TUBE SPM	N(D-2)
79	3032 10 29	WIRE TUBE MSW	N(A-1)
81	3032 11 301	ROLLER SHAFT ASS'Y	N(E-2)
82	3032 11 501	LOADING GEAR PLATE RIVET ASS'Y	N(D-2)
83	3032 11 302	LOADING PLATE ASS'Y	N(C-4)
84	3032 11 504	LOCK ARM RIVET ASS'Y (S)	N(E-1)
85	3032 11 305	LOADING / FEED MOTOR ASS'Y (MB)	T(B-3)
86	3032 11 01	LOADING GEAR 1	N(D-4)
87	3032 11 02	LOADING GEAR 2	N(D-3)
88	3032 11 03	LOADING GEAR 3	N(D-3)
89	3032 11 04	LOADING GEAR 4	N(D-2)
90	3032 11 05	LOADING GEAR 5	N(D-2)
91	3032 11 06	LOADING GEAR 6	N(D-2)
92	3032 11 07	LOADING GEAR 7	N(D-3)
93	3032 11 11	ROLLER GUIDE	N(D-1); N(E-3)
94	3032 11 14	ROLLER GUIDE SPRING	N(D-1); N(E-1)
95	3032 11 16	DISC STOPPER ARM	N(C-1)
96	3032 11 17	DISC STOP ARM SPRING	N(D-2)
97	3032 11 18	LD GEAR BRACKET	N(D-2)
98	3032 11 25	L SLIDE PLATE	N(D-4)
99	3032 11 31	LOADING PLATE SPRING	N(C-4)
100	3032 11 37	LDG ROLLER (N)	T(D-1)
101	3032 11 43	COLLAR SCREW	N(E-1)
111	9P04 20 031	TAPPING SCREW 2X3	N(A-3); N(B-3); N(B-4); N(D-2); N(E-4)
112	9P04 20 041	TAPPING SCREW 2X4	N(B-1); N(B-2)
113	9B03 20 041	TAPPING BIND SCREW 2X4	N(D-2)
114	9C01 17 183	CAMERA SCREW 1.7X1.8	N(B-2)
115	9C01 20 203	CAMERA SCREW 2X2	N(C-3)
116	9C45 17 503	CAMERA TAPPING SCREW P3 M1.7X5	N(C-1)
121	9W01 30 170	PW 3.5X8X0.3	N(D-4)
122	9W05 13 060	HLW 1.85X5X0.13	N(D-1)
123	9W07 10 070	LUMILAR WASHER 3.1X6X0.1	N(D-1)
124	9E01 00 152	E RING S 1.5	N(D-4)
125	9W01 13 020	PW 2.1X4X0.13	N(D-3)

# 15 EXPLODED VIEW (CD Deck)



03 07.18