

12 REPLACEMENT PARTS LIST

Notes :

1. Be sure to make your orders of replacement parts according to this list.
2. Important safety notice: Components, identified by Δ mark have special characteristics important for safety. When replacing any of these components, use only manufacturer's specified parts.
3. Location keys in the remarks column indicates the general location of the parts shown in the exploded drawing, as in a road map.
4. The marking (RTL) indicates that Retention Time is limited for this item. After the discontinuation of assembly in production, the item will continue to be available for a specific period of time. The retention period of availability is dependent on the type of assembly, and in accordance with the laws governing part and product retention. After the end of this period, the assembly will no longer be available.
 - Order intake period is basically six months after the first shipment.
5. "T" marks in remarks column are indicated supply parts of PTW.

Ref. No.	Part No.	Part Name & Description	Remarks
[E3108] Main/Sub Block			
IC's AND TRANSISTORS			
IC201	C1BB00000796	IC	T
IC221	C1BB00001131	IC	T
IC231	C0JBZS000003	IC	T
IC251	C0ABBA000221	IC	T
IC252	C0ABCA000121	IC	T
IC271	C1ZAZ0001450	IC	T
IC401	C1BB00001045	IC	T
IC501	C1BB00000960	IC	T
IC601	C2CBKG000036	IC	T
IC650	C0JBAA000372	IC	T
IC670	C0JBAZ000904	IC	T
IC701	C0DAZH000004	IC	T
IC702	C0EBZ0000035	IC	T
IC730	C0DAEKG00002	IC	T
IC752	C0CBCBG00012	IC	T
IC755	C0DBZGD00040	IC	T
IC760	C0GBG0000032	IC	T
IC770	C0DBAHG00020	IC	T
IC790	C0CBCYG00004	IC	T
PA51	C5BA00000123	Electronic Tuner	T
Q55	B1GDGFEH0001	Transistor	T
Q56	B1AAEC000002	Transistor	T
Q66	B1ABCF000187	Transistor	T
Q220	B1GBCFNN0004	Transistor	T
Q235	B1GBHBEA0004	Transistor	T
Q241	B1GBHBEA0004	Transistor	T
Q251	B1GBHBEA0004	Transistor	T
Q252	B1GBHBEA0004	Transistor	T
Q320	B1GBCFNN0004	Transistor	T
Q335	B1GBHBEA0004	Transistor	T
Q341	B1GBHBEA0004	Transistor	T
Q351	B1GBHBEA0004	Transistor	T
Q352	B1GBHBEA0004	Transistor	T
Q353	B1GBHBEA0004	Transistor	T
Q354	B1GDCFFJ0002	Transistor	T
Q371	B1GBCFNN0004	Transistor	T
Q372	B1GBCFJN0004	Transistor	T
Q376	B1GBCFNN0004	Transistor	T
Q411	B1CBGF000005	Transistor	T
Q630	B1GBCFNN0004	Transistor	T

Ref. No.	Part No.	Part Name & Description	Remarks
Q633	B1GDCFFJ0002	Transistor	T
Q650	B1GBCFJN0004	Transistor	T
Q651	B1GBCFJN0004	Transistor	T
Q652	B1GBCFJN0004	Transistor	T
Q680	B1GDGFEH0001	Transistor	T
Q681	B1GDCFFJ0002	Transistor	T
Q701	B1BACF000026	Transistor	T
Q760	B1GBCFNN0004	Transistor	T
Q771	B1ABCF000187	Transistor	T
Q791	B1GBNCEJ0003	Transistor	T
Q793	B1GBCFJN0004	Transistor	T
DIODES			
D201	B0JCME000012	Diode	T
D202	B0JCME000012	Diode	T
D203	B0JCME000012	Diode	T
D204	B0JCME000012	Diode	T
D251	B0JCME000004	Diode	T
D301	B0JCME000012	Diode	T
D302	B0JCME000012	Diode	T
D303	B0JCME000012	Diode	T
D304	B0JCME000012	Diode	T
D504	B0BC5R000020	Diode	T
D601	B0JCME000004	Diode	T
D630	B3AAB0000143	Diode	T
D631	YEADUDZS56BT	Diode	T
D632	MA3X152D0L	Diode	T
D635	YEADUDZS56BT	Diode	T
D636	YEADUDZS56BT	Diode	T
D637	YEADUDZS56BT	Diode	T
D638	YEADUDZS56BT	Diode	T
D639	YEADUDZS56BT	Diode	T
D670	B0JCME000004	Diode	T
D680	MA3X152A0L	Diode	T
D701	B0BA04700003	Diode	T
D702	MA2Q73600L	Diode	T
D703	B0BC5R7A0062	Diode	T
D704	B0JCME000004	Diode	T
D705	B0ECKP000002	Diode	T
D706	B0ECKP000002	Diode	T
D707	B0JCPE000004	Diode	T
D708	MA2Q73600L	Diode	T
D710	B0JCME000004	Diode	T
D715	MA3X152A0L	Diode	T
D716	MA3X72100L	Diode	T
D751	B0ECKP000002	Diode	T
D752	B0ECKP000002	Diode	T
D760	B0BC5R000020	Diode	T
D761	B0BC3R0A0058	Diode	T
D770	B0JCME000004	Diode	T
D771	B0JCQD000002	Diode	T
D772	B0BC013A0063	Diode	T
CAPACITORS			
C50	F1J1H100A007	Ceramic, 10PF 50WV	T
C52	F1J1H470A025	Ceramic, 47PF 50WV	T
C53	F1J1H103A513	Ceramic, 0.01mF 50WV	T
C54	F2A1A221A449	Electrolytic, 220mF 10WV	T
C55	F1J1H103A513	Ceramic, 0.01mF 50WV	T
C56	F3F1E105A001	Tantalum, 1mF 25WV	T
C57	F2A1A101A450	Electrolytic, 100mF 10WV	T
C61	F1J1H183A035	Ceramic, 0.018mF 50WV	T
C62	F1J1H183A035	Ceramic, 0.018mF 50WV	T
C65	F1J1H1020024	Ceramic, 1000PF 50WV	T
C66	F1J1H471A672	Ceramic, 470PF 50WV	T
C206	F2A1C100A502	Electrolytic, 10mF 16WV	T
C213	F1J1A2250004	Ceramic, 2.2mF 10WV	T
C215	F1J1A2250004	Ceramic, 2.2mF 10WV	T
C217	F1J1C334A006	Ceramic, 0.33mF 16WV	T
C220	F1J1C225A138	Ceramic, 2.2mF 16WV	T
C237	F1J1C225A138	Ceramic, 2.2mF 16WV	T
C242	F1J1C225A138	Ceramic, 2.2mF 16WV	T

Ref. No.	Part No.	Part Name & Description	Remarks
C251	F1J1C474A006	Ceramic, 0.47mF 16WV	T
C252	F1J1H470A034	Ceramic, 47PF 50WV	T
C253	F1J1C225A138	Ceramic, 2.2mF 16WV	T
C254	F1J1C474A006	Ceramic, 0.47mF 16WV	T
C255	F1J1H470A034	Ceramic, 47PF 50WV	T
C256	F1J1C225A138	Ceramic, 2.2mF 16WV	T
C271	F1J1H472A675	Ceramic, 4700PF 50WV	T
C272	F1J1H472A675	Ceramic, 4700PF 50WV	T
C274	F2A1C470A630	Electrolytic, 47mF 16WV	T
C275	F1J1C1050013	Ceramic, 1mF 16WV	T
C278	F1J1E1040003	Ceramic, 0.1mF 25WV	T
C279	F2A1C4720027	Electrolytic, 4700mF 16WV	T
C281	F1K1C1060001	Ceramic, 10mF 16WV	T
C282	F1H1C104A005	Ceramic, 0.1mF 16WV	T
C283	F1K1C1060001	Ceramic, 10mF 16WV	T
C296	F1K1C4740009	Ceramic, 0.47mF 16WV	T
C297	F1K1C4740009	Ceramic, 0.47mF 16WV	T
C306	F2A1C100A502	Electrolytic, 10mF 16WV	T
C313	F1J1A2250004	Ceramic, 2.2mF 10WV	T
C315	F1J1A2250004	Ceramic, 2.2mF 10WV	T
C317	F1J1C334A006	Ceramic, 0.33mF 16WV	T
C320	F1J1C225A138	Ceramic, 2.2mF 16WV	T
C321	F1J1C225A138	Ceramic, 2.2mF 16WV	T
C323	F2A1C100A502	Electrolytic, 10mF 16WV	T
C324	F2A1H2R2A634	Electrolytic, 2.2mF 50WV	T
C325	F2A1H2R2A634	Electrolytic, 2.2mF 50WV	T
C326	F1J1A2250004	Ceramic, 2.2mF 10WV	T
C327	F2A1A221A449	Electrolytic, 220mF 10WV	T
C328	F1J1H103A513	Ceramic, 0.01mF 50WV	T
C330	F1J1A2250004	Ceramic, 2.2mF 10WV	T
C331	F1J1C225A138	Ceramic, 2.2mF 16WV	T
C332	F1H1C104A005	Ceramic, 0.1mF 16WV	T
C333	F1H1E103A011	Ceramic, 0.01mF 25WV	T
C334	F1H1C104A005	Ceramic, 0.1mF 16WV	T
C335	F1H1C104A005	Ceramic, 0.1mF 16WV	T
C336	F1H1C104A005	Ceramic, 0.1mF 16WV	T
C337	F1H1C104A005	Ceramic, 0.1mF 16WV	T
C338	F1H1C104A005	Ceramic, 0.1mF 16WV	T
C339	F1H1C104A005	Ceramic, 0.1mF 16WV	T
C340	F1J1C1050013	Ceramic, 1mF 16WV	T
C341	F1K1C1060001	Ceramic, 10mF 16WV	T
C342	F1H1C333A054	Ceramic, 0.033mF 16WV	T
C343	F1H1E103A011	Ceramic, 0.01mF 25WV	T
C344	F1J1C334A006	Ceramic, 0.33mF 16WV	T
C346	F1J1C474A006	Ceramic, 0.47mF 16WV	T
C347	F1H1H221A231	Ceramic, 220PF 50WV	T
C351	F1J1C474A006	Ceramic, 0.47mF 16WV	T
C352	F1J1H470A034	Ceramic, 47PF 50WV	T
C353	F1J1C225A138	Ceramic, 2.2mF 16WV	T
C354	F1J1C474A006	Ceramic, 0.47mF 16WV	T
C355	F1J1H470A034	Ceramic, 47PF 50WV	T
C356	F1J1C225A138	Ceramic, 2.2mF 16WV	T
C361	F1J1C474A006	Ceramic, 0.47mF 16WV	T
C362	F1J1H470A034	Ceramic, 47PF 50WV	T
C363	ECEA1EKS3R3I	Electrolytic, 3.3mF 25WV	T
C364	F2A1C100A502	Electrolytic, 10mF 16WV	T
C365	F1H1C104A005	Ceramic, 0.1mF 16WV	T
C366	F1H1C104A005	Ceramic, 0.1mF 16WV	T
C367	F1H1C104A005	Ceramic, 0.1mF 16WV	T
C368	F2A1C470A630	Electrolytic, 47mF 16WV	T
C371	F1J1H472A675	Ceramic, 4700PF 50WV	T
C372	F1J1H472A675	Ceramic, 4700PF 50WV	T
C374	F2A1H2R20044	Electrolytic, 2.2mF 50WV	T
C375	F2A1C100A502	Electrolytic, 10mF 16WV	T
C378	F1J1E1040003	Ceramic, 0.1mF 25WV	T
C381	F1K1C1060001	Ceramic, 10mF 16WV	T
C382	F1H1C104A005	Ceramic, 0.1mF 16WV	T
C383	F1K1C1060001	Ceramic, 10mF 16WV	T
C384	F2A1A101A450	Electrolytic, 100mF 10WV	T
C385	F1K1C1060001	Ceramic, 10mF 16WV	T
C386	F1K1C1060001	Ceramic, 10mF 16WV	T
C387	F1K1C1060001	Ceramic, 10mF 16WV	T
C388	F1K1C1060001	Ceramic, 10mF 16WV	T
C389	F1K1C1060001	Ceramic, 10mF 16WV	T

Ref. No.	Part No.	Part Name & Description	Remarks
C396	F1K1C4740009	Ceramic, 0.47mF 16WV	T
C397	F1K1C4740009	Ceramic, 0.47mF 16WV	T
C401	F1J1H120A034	Ceramic, 12PF 50WV	T
C402	F1J1H120A034	Ceramic, 12PF 50WV	T
C403	F2A0J101A500	Electrolytic, 120mF 6.3WV	T
C404	F1J1H103A513	Ceramic, 0.01mF 50WV	T
C405	F1H1H101A231	Ceramic, 100PF 50WV	T
C411	F1J1H103A513	Ceramic, 0.01mF 50WV	T
C412	F1J1H1530003	Ceramic, 0.015mF 50WV	T
C413	ECQV1H104JL2	Plastic Film, 0.1mF 50WV	T
C414	F2A1A221A449	Electrolytic, 220mF 10WV	T
C415	F2A1A221A449	Electrolytic, 220mF 10WV	T
C416	F2A1A221A449	Electrolytic, 220mF 10WV	T
C501	F1J1H100A007	Ceramic, 10PF 50WV	T
C502	F1J1H100A007	Ceramic, 10PF 50WV	T
C504	F2A1C470A630	Electrolytic, 47mF 16WV	T
C505	F1H1C104A005	Ceramic, 0.1mF 16WV	T
C506	F1H1E103A011	Ceramic, 0.01mF 25WV	T
C507	F1H1H2710001	Ceramic, 270PF 50WV	T
C508	F2A1C100A502	Electrolytic, 10mF 16WV	T
C601	F1J1C104A005	Ceramic, 0.1mF 16WV	T
C602	F1H1E103A011	Ceramic, 0.01mF 25WV	T
C603	F2A0J3310051	Electrolytic, 330mF 6.3WV	T
C604	ECA0JM471I	Electrolytic, 470mF 6.3WV	T
C605	F1J1C104A005	Ceramic, 0.1mF 16WV	T
C606	F1H1H2200008	Ceramic, 22PF 50WV	T
C607	F1J1H220A025	Ceramic, 22PF 50WV	T
C608	F1J1C104A005	Ceramic, 0.1mF 16WV	T
C609	F1J1A106A023	Ceramic, 10mF 10WV	T
C610	F1J1C104A005	Ceramic, 0.1mF 16WV	T
C612	F1H1H120A231	Ceramic, 12PF 50WV	T
C613	F1H1H120A231	Ceramic, 12PF 50WV	T
C631	F2A1H4R7A632	Electrolytic, 4.7mF 50WV	T
C632	F1J1E1040003	Ceramic, 0.1mF 25WV	T
C633	F2A1C470A630	Electrolytic, 47mF 16WV	T
C635	F1J1H103A513	Ceramic, 0.01mF 50WV	T
C650	F1J1H103A513	Ceramic, 0.01mF 50WV	T
C670	F2A1C100A502	Electrolytic, 10mF 16WV	T
C671	F1H1E103A011	Ceramic, 0.01mF 25WV	T
C680	F2A1H2R2A634	Electrolytic, 2.2mF 50WV	T
C701	F1J1C154A006	Ceramic, 0.15mF 16WV	T
C702	F2A1C1020069	Electrolytic, 1000mF 16WV	T
C704	F2A0J3310051	Electrolytic, 330mF 6.3WV	T
C705	F1H1E103A011	Ceramic, 0.01mF 25WV	T
C707	F2A1C1020069	Electrolytic, 1000mF 16WV	T
C708	F2A1H1R00095	Electrolytic, 1mF 50WV	T
C713	F1J1C474A006	Ceramic, 0.47mF 16WV	T
C715	F1J1E1040003	Ceramic, 0.1mF 25WV	T
C716	F1J1C104A005	Ceramic, 0.1mF 16WV	T
C717	F1J1C104A005	Ceramic, 0.1mF 16WV	T
C718	F1J1E1040003	Ceramic, 0.1mF 25WV	T
C719	EEAFC1A820H	Electrolytic, 82mF 10WV	T
C720	F1J1C104A005	Ceramic, 0.1mF 16WV	T
C721	F1J1C104A005	Ceramic, 0.1mF 16WV	T
C730	F1K1E334A022	Ceramic, 0.33mF 25WV	T
C731	F1K1C334A020	Ceramic, 0.33mF 16WV	T
C732	EEAFC1C560H	Electrolytic, 56mF 16WV	T
C752	F1J1C334A006	Ceramic, 0.33mF 16WV	T
C753	F1J1C334A006	Ceramic, 0.33mF 16WV	T
C754	EEAFC0J560H	Electrolytic, 56mF 6.3WV	T
C755	F1H1C104A005	Ceramic, 0.1mF 16WV	T
C756	F1J1C1050013	Ceramic, 1mF 16WV	T
C757	F1H1E103A011	Ceramic, 0.01mF 25WV	T
C758	F2A0J470A558	Electrolytic, 47mF 6.3WV	T
C760	F1H1E103A011	Ceramic, 0.01mF 25WV	T
C761	F1J1E1040003	Ceramic, 0.1mF 25WV	T
C762	F2A1C470A630	Electrolytic, 47mF 16WV	T
C763	F1J1E1040003	Ceramic, 0.1mF 25WV	T
C771	F2A1C1010089	Electrolytic, 100mF 16WV	T
C772	F1J1C104A005	Ceramic, 0.1mF 16WV	T
C773	F1J1H271A025	Ceramic, 270PF 50WV	T
C774	EEEFK1E101P	Electrolytic, 10mF 16WV	T
C775	F1H1C104A005	Ceramic, 0.1mF 16WV	T
C776	F2A1E101A575	Electrolytic, 100mF 25WV	T

Ref. No.	Part No.	Part Name & Description	Remarks
R358	ERJ3GEYJ433V	Chip, 43kW 1/16W	T
R359	ERJ3GEYJ560V	Chip, 56W 1/16W	T
R360	ERJ3GEYJ183V	Chip, 18kW 1/16W	T
R361	ERJ6GEYJ104V	Chip, 100kW 1/10W	T
R362	ERJ6GEYJ393V	Chip, 39kW 1/10W	T
R363	ERJ6GEYJ393V	Chip, 39kW 1/10W	T
R364	ERJ6GEYJ560V	Chip, 56W 1/10W	T
R365	ERJ6GEYJ183V	Chip, 18kW 1/10W	T
R366	ERJ6GEYJ103V	Chip, 10kW 1/10W	T
R367	ERJ6GEYJ103V	Chip, 10kW 1/10W	T
R368	ERJ3GEYJ563V	Chip, 56kW 1/16W	T
R369	ERJ3GEYJ133V	Chip, 13kW 1/16W	T
R370	ERJ3GEYJ363V	Chip, 36kW 1/16W	T
R371	ERJ3GEYJ822V	Chip, 8.2kW 1/16W	T
R372	ERJ3GEYJ103V	Chip, 10kW 1/16W	T
R373	ERJ6GEYJ183V	Chip, 18kW 1/10W	T
R374	ERJ3GEYJ164V	Chip, 160kW 1/16W	T
R375	ERJ6GEYJ562V	Chip, 5.6kW 1/10W	T
R376	ERJ3GEYJ103V	Chip, 10kW 1/16W	T
R377	ERJ3GEYJ104V	Chip, 100kW 1/16W	T
R378	ERJ3GEY0R00V	Chip, 0W 1/16W	T
R379	ERJ3GEYJ472V	Chip, 4.7kW 1/16W	T
R381	ERJ3GEYJ104V	Chip, 100kW 1/16W	T
R382	ERJ3GEYJ104V	Chip, 100kW 1/16W	T
R383	ERJ3GEYJ103V	Chip, 10kW 1/16W	T
R384	ERJ3GEYJ103V	Chip, 10kW 1/16W	T
R385	ERJ3GEYJ272V	Chip, 2.7kW 1/16W	T
R386	ERJ3GEYJ102V	Chip, 1kW 1/16W	T
R387	ERJ6GEYJ103V	Chip, 10kW 1/10W	T
R388	ERJ6GEYJ103V	Chip, 10kW 1/10W	T
R389	ERJ6GEYJ103V	Chip, 10kW 1/10W	T
R390	ERJ3GEYJ473V	Chip, 47kW 1/16W	T
R391	ERJ3GEYJ104V	Chip, 100kW 1/16W	T
R392	ERJ6GEYJ104V	Chip, 100kW 1/10W	T
R393	ERJ3GEYJ104V	Chip, 100kW 1/16W	T
R396	ERJ6GEYJ271V	Chip, 270W 1/10W	T
R397	ERJ6GEYJ271V	Chip, 270W 1/10W	T
R398	ERJ3GEYJ222V	Chip, 2.2kW 1/16W	T
R401	ERJ3GEYJ152V	Chip, 1.5kW 1/16W	T
R402	ERJ3GEYJ472V	Chip, 4.7kW 1/16W	T
R403	ERJ3GEYJ473V	Chip, 47kW 1/16W	T
R404	ERJ3GEYJ102V	Chip, 1kW 1/16W	T
R405	ERJ3GEYJ102V	Chip, 1kW 1/16W	T
R406	ERJ3GEYJ102V	Chip, 1kW 1/16W	T
R407	ERJ3GEYJ102V	Chip, 1kW 1/16W	T
R408	ERJ3GEYJ473V	Chip, 47kW 1/16W	T
R409	ERJ3GEYJ102V	Chip, 1kW 1/16W	T
R410	ERJ3GEY0R00V	Chip, 0W 1/16W	T
R411	ERJ3GEY0R00V	Chip, 0W 1/16W	T
R413	ERJ6GEYJ182V	Chip, 1.8kW 1/10W	T
R414	ERJ8GEYJ561V	Chip, 560W 1/8W	T
R417	ERJ3GEYJ100V	Chip, 10W 1/16W	T
R501	ERJ6GEYJ225V	Chip, 2.2MW 1/10W	T
R504	ERJ6GEYJ331V	Chip, 330W 1/10W	T
R506	ERJ3GEYJ103V	Chip, 10kW 1/16W	T
R507	ERJ3GEYJ103V	Chip, 10kW 1/16W	T
R600	D0YFR00J0001	Chip, 0W 1/8W	T
R601	ERJ3GEYJ432V	Chip, 4.3kW 1/16W	T
R602	ERJ3GEYJ432V	Chip, 4.3kW 1/16W	T
R603	ERJ6GEYJ103V	Chip, 10kW 1/10W	T
R604	ERJ6GEYJ103V	Chip, 10kW 1/10W	T
R605	ERJ3GEYJ102V	Chip, 1kW 1/16W	T
R607	ERJ3GEYJ333V	Chip, 33kW 1/16W	T
R608	ERJ3GEYJ822V	Chip, 8.2kW 1/16W	T
R609	ERJ3GEYJ473V	Chip, 47kW 1/16W	T
R612	ERJ3GEYJ473V	Chip, 47kW 1/16W	T
R613	ERJ3GEYJ103V	Chip, 10kW 1/16W	T
R614	ERJ3GEYJ103V	Chip, 10kW 1/16W	T
R615	ERJ3GEYJ103V	Chip, 10kW 1/10W	T
R616	ERJ3GEYJ684V	Chip, 680kW 1/16W	T
R617	ERJ3GEYJ103V	Chip, 10kW 1/16W	T
R618	ERJ3GEYJ223V	Chip, 22kW 1/16W	T
R619	ERJ3GEYJ473V	Chip, 47kW 1/16W	T
R620	ERJ3GEYJ103V	Chip, 10kW 1/16W	T

Ref. No.	Part No.	Part Name & Description	Remarks
R621	ERJ3GEYJ472V	Chip, 4.7kW 1/16W	T
R622	ERJ6GEYJ473V	Chip, 47kW 1/10W	T
R624	ERJ3GEYJ104V	Chip, 100kW 1/16W	T
R625	ERJ3GEYJ473V	Chip, 47kW 1/16W	T
R626	ERJ6GEYJ102V	Chip, 1kW 1/10W	T
R627	ERJ3GEYJ103V	Chip, 10kW 1/16W	T
R628	ERJ3GEYJ103V	Chip, 10kW 1/16W	T
R629	ERJ8GEYJ104V	Chip, 100kW 1/8W	T
R631	ERJ6GEYJ821V	Chip, 820W 1/10W	T
R632	ERJ6GEYJ473V	Chip, 47kW 1/10W	T
R634	ERJ6GEYJ561V	Chip, 560W 1/10W	T
R638	ERJ3GEYJ102V	Chip, 1kW 1/16W	T
R639	ERJ3GEYJ102V	Chip, 1kW 1/16W	T
R640	ERJ6GEYJ561V	Chip, 560W 1/10W	T
R641	ERJ3GEYJ102V	Chip, 1kW 1/16W	T
R645	ERJ3GEY0R00V	Chip, 0W 1/16W	T
R646	ERJ3GEYJ104V	Chip, 100kW 1/16W	T
R653	ERJ3GEYJ512V	Chip, 5.1kW 1/16W	T
R654	ERJ6GEYJ512V	Chip, 5.1kW 1/10W	T
R655	ERJ6GEYJ103V	Chip, 10kW 1/10W	T
R656	ERJ6GEYJ272V	Chip, 2.7kW 1/10W	T
R657	ERJ3GEYJ272V	Chip, 2.7kW 1/16W	T
R658	ERJ6GEYJ473V	Chip, 47kW 1/10W	T
R659	ERJ6GEYJ272V	Chip, 2.7kW 1/10W	T
R660	ERJ6GEYJ272V	Chip, 2.7kW 1/10W	T
R661	ERJ6GEYJ473V	Chip, 47kW 1/10W	T
R662	ERJ3GEYJ472V	Chip, 4.7kW 1/16W	T
R663	ERJ6GEYJ512V	Chip, 5.1kW 1/10W	T
R664	ERJ6GEYJ512V	Chip, 5.1kW 1/10W	T
R670	ERJ3GEYJ104V	Chip, 100kW 1/16W	T
R671	ERJ3GEYJ104V	Chip, 100kW 1/16W	T
R673	ERJ3GEYJ104V	Chip, 100kW 1/16W	T
R674	ERJ3GEYJ272V	Chip, 2.7kW 1/16W	T
R675	ERJ6GEYJ272V	Chip, 2.7kW 1/10W	T
R676	ERJ3GEYJ472V	Chip, 4.7kW 1/16W	T
R677	ERJ6GEYJ561V	Chip, 560W 1/10W	T
R678	ERJ3GEYJ104V	Chip, 100kW 1/16W	T
R680	ERJ6GEYJ271V	Chip, 270W 1/10W	T
R681	ERJ6GEYJ562V	Chip, 5.6kW 1/10W	T
R682	ERJ3GEYJ473V	Chip, 47kW 1/16W	T
R683	ERJ3GEYJ471V	Chip, 470W 1/16W	T
R684	ERJ6GEYJ561V	Chip, 560W 1/10W	T
R685	ERJ3GEYJ561V	Chip, 560W 1/16W	T
R686	ERJ3GEYJ561V	Chip, 560W 1/16W	T
R687	ERJ6GEYJ561V	Chip, 560W 1/10W	T
R688	ERJ6GEYJ561V	Chip, 560W 1/10W	T
R689	ERJ3GEYJ561V	Chip, 560W 1/16W	T
R690	ERJ3GEYJ561V	Chip, 560W 1/16W	T
R701	ERJ6GEYJ102V	Chip, 1kW 1/10W	T
R702	ERJ3GEYJ224V	Chip, 220kW 1/16W	T
R703	ERJ6GEYJ473V	Chip, 47kW 1/10W	T
R704	ERJ8GEYJ4R7V	Chip, 4.7W 1/8W	T
R705	ERJ6GEYJ682V	Chip, 6.8kW 1/10W	T
R715	ERJ3GEYJ472V	Chip, 4.7kW 1/16W	T
R716	ERJ6GEYJ473V	Chip, 47kW 1/10W	T
R717	ERJ3GEYJ433V	Chip, 43kW 1/16W	T
R719	ERJ3GEYJ684V	Chip, 680kW 1/16W	T
R722	ERJ3GEYJ104V	Chip, 100kW 1/16W	T
R732	ERJ6ENF1802V	Chip, 18kW 1/10W	T
R733	ERJ6ENF1303V	Chip, 130kW 1/10W	T
R734	ERJ6ENF2201V	Chip, 2.2kW 1/10W	T
R755	ERJ6GEYJ102V	Chip, 1kW 1/10W	T
R760	ERJ6GEYJ152V	Chip, 1.5kW 1/10W	T
R761	ERDS1FJ3R9T	Carbon, 3.9W 1/2W	T
R771	D0GFR47JA016	Metal Film, 0.47W 1/2W	T
R772	ERJ3GEYJ181V	Chip, 180W 1/16W	T
R773	ERJ6ENF7501V	Chip, 7.5kW 1/10W	T
R774	ERJ6ENF7150V	Chip, 7.15W 1/10W	T
R776	ERJ6GEYJ561V	Chip, 560W 1/10W	T
R777	D0YFR00J0001	Chip, 0W 1/8W	T
R778	ERJ8GEYJ1ROV	Chip, 1W 1/8W	T
R780	ERJ8GEYJ470V	Chip, 47W 1/8W	T
R790	ERJ3GEYJ223V	Chip, 22kW 1/16W	T
R791	ERJ6GEYJ223V	Chip, 22kW 1/10W	T

Ref. No.	Part No.	Part Name & Description	Remarks
R794	ERJ3GEYJ102V	Chip, 1kW 1/16W	T
R795	ERJ6ENF1002V	Chip, 10kW 1/10W	T
R796	ERJ6ENF2703V	Chip, 270kW 1/10W	T
R797	ERJ6ENF2001V	Chip, 2kW 1/10W	T
CONNECTORS			
CN201	K2KF29Z00040	Plug, 4P	T
CN253	K2KF29Z00036	Plug, 4P	T
CN301	K2KF29Z00039	Plug, 4P	T
CN351	K2KF29Z00033	Plug, 4P	T
CN361	K1KA08A00015	Connector, 8P	T
CN371	K1KA08A00015	Connector, 8P	T
CN601	K1MN16BA0111	Connector, 16P	T
CN651	K1KA18A00074	Connector, 18P	T
CN670	K1PQ07A00005	Connector, 7P	T
CN680	K1AA113B0002	Connector, 13P	T
CN701	K1FA116B0028	Connector, 16P	T
CN760	K1KA02A00066	Connector, 2P	T
COILS			
L50	G1C150K00011	Coil	T
L52	G1CR56JA0036	Coil	T
L53	G1C101JA0036	Coil	T
L401	G1C101JA0036	Coil	T
L501	G1C330JA0036	Coil	T
L504	G1C330JA0036	Coil	T
L601	G1C330JA0036	Coil	T
L602	G1C101JA0036	Coil	T
L603	G1C330JA0036	Coil	T
L630	G0C330K00004	RF Coil	T
L631	G1C270JA0036	Coil	T
L701	J0JKA0000003	Coil	T
L702	G0A151J00006	Coil	T
L770	G0C101KA0120	RF Coil	T
L771	G1C331MA0226	Coil	T
L772	G0C101KA0120	RF Coil	T
SWITCHES			
SW601	K0L1BA000099	Switch	T
SW602	K0L1BA000104	Switch	T
CRYSTALS			
XL401	H0D720400006	Crystal Oscillator	T
XL501	H0D433400003	Crystal Oscillator	T
XL601	H0D368400015	Crystal Oscillator	T
XL602	H0J327200161	Crystal Oscillator	T
NETWORK RESISTORS			
R606	EXBV8V102JV	Network Resistor	T
FILTERS			
CF51	J0E8405A0002	NOISE FILTER	T
Z50	J0LM00000001	Noise Filter	T
THERMISTORS			
PT701	D4DA74R70003	Thermistor	T
[E9781] Display Block			
IC's AND TRANSISTORS			
IC901	C2CBKJ000195	IC	T
IC902	C3FBPZ000001	IC	T
DIODES			

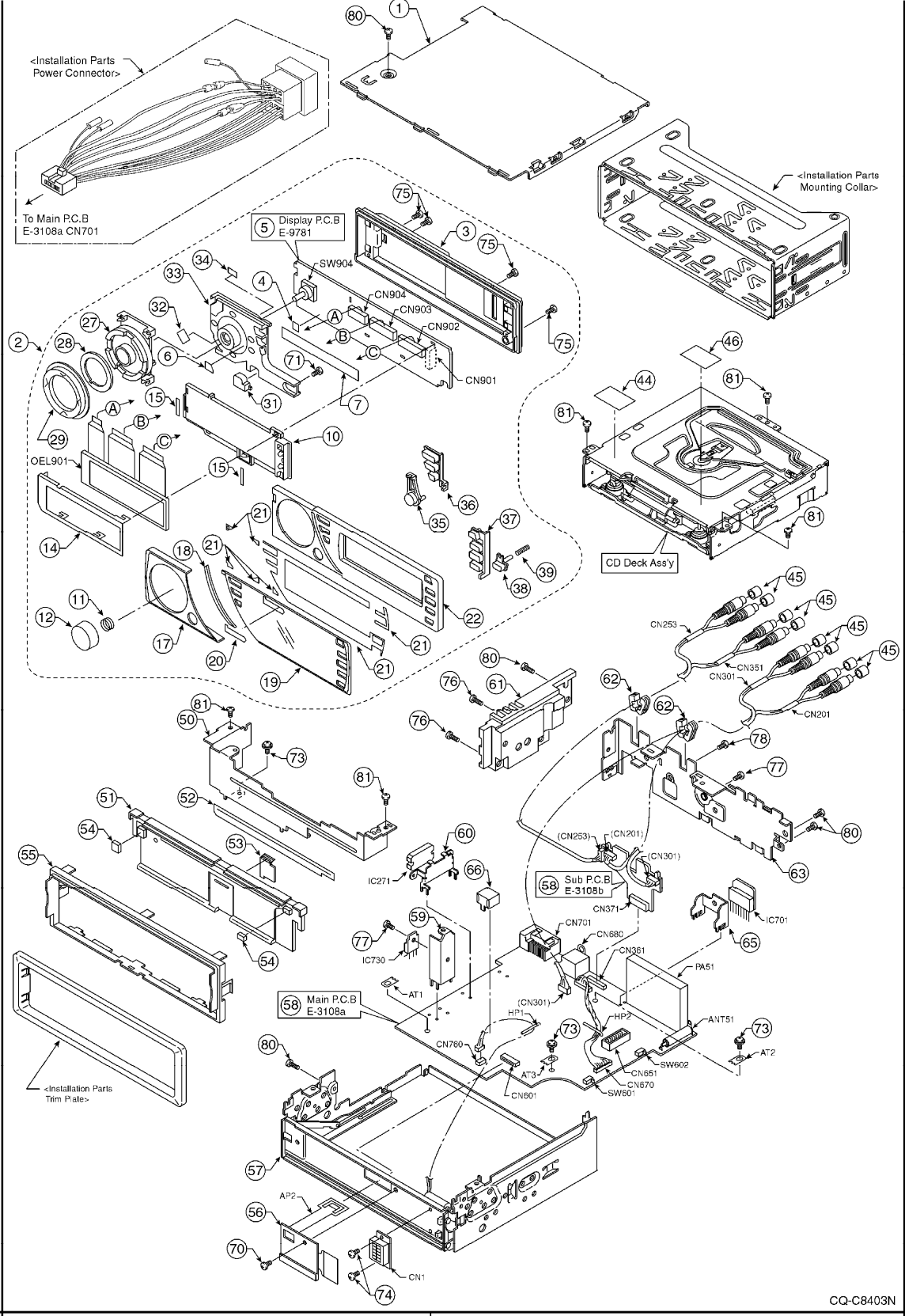
Ref. No.	Part No.	Part Name & Description	Remarks
D901	YEADUDZS56BT	Diode	T
D902	YEADUDZS56BT	Diode	T
D903	YEADUDZS56BT	Diode	T
D904	YEADUDZS56BT	Diode	T
D905	B3AEB0000083	Diode	T
D906	MAZ81800ML	Diode	T
D907	YEADUDZS56BT	Diode	T
D908	B0BC4R000006	Diode	T
D909	YEADUDZS56BT	Diode	T
D910	B3AEB0000083	Diode	T
D911	B3AEB0000083	Diode	T
D912	YEADUDZS56BT	Diode	T
D913	B3AEB0000083	Diode	T
D914	B3AEB0000083	Diode	T
D915	B3AEB0000083	Diode	T
D916	B3AEB0000083	Diode	T
D917	B3AEB0000083	Diode	T
D918	B3AEB0000083	Diode	T
D919	B3AEB0000083	Diode	T
D920	B3AEB0000083	Diode	T
D921	B3AEB0000083	Diode	T
D923	YEADUDZS56BT	Diode	T
D924	YEADUDZS56BT	Diode	T
D925	YEADUDZS56BT	Diode	T
D926	YEADUDZS56BT	Diode	T
D927	YEADUDZS56BT	Diode	T
D928	YEADUDZS56BT	Diode	T
D929	YEADUDZS56BT	Diode	T
D930	YEADUDZS56BT	Diode	T
D931	MA2J72900L	Diode	T
D932	MA2J72900L	Diode	T
IC903	B3RAB0000054	Diode	T
CAPACITORS			
C901	ECJ2FB1E475M	Ceramic, 4.7mF 25WV	T
C902	ECJ2FB1E475M	Ceramic, 4.7mF 25WV	T
C903	F1J1H102A672	Ceramic, 1000PF 50WV	T
C904	F1H1C104A005	Ceramic, 0.1mF 16WV	T
C905	F1H1H101A231	Ceramic, 100PF 50WV	T
C906	F1H1H103A201	Ceramic, 0.01mF 50WV	T
C907	ECJ2FB1E475M	Ceramic, 4.7mF 25WV	T
C908	F1H1H103A201	Ceramic, 0.01mF 50WV	T
C909	ECJ2FB1E475M	Ceramic, 4.7mF 25WV	T
C910	F1H1C104A005	Ceramic, 0.1mF 16WV	T
C911	F1H1H101A231	Ceramic, 100PF 50WV	T
C912	ECJ2FB1E475M	Ceramic, 4.7mF 25WV	T
C913	ECJ2FB1E475M	Ceramic, 4.7mF 25WV	T
C914	ECJ2FB1E475M	Ceramic, 4.7mF 25WV	T
C915	F1H1H101A231	Ceramic, 100PF 50WV	T
C916	F1H1H101A231	Ceramic, 100PF 50WV	T
C917	F1J1C1050029	Ceramic, 1mF 16WV	T
C918	F1H1C104A005	Ceramic, 0.1mF 16WV	T
C919	F1H1C104A005	Ceramic, 0.1mF 16WV	T
C920	ECJ2FB1E475M	Ceramic, 4.7mF 25WV	T
C921	F1H1C104A005	Ceramic, 0.1mF 16WV	T
C922	F1H1C104A005	Ceramic, 0.1mF 16WV	T
C923	F1K1A106A008	Ceramic, 10mF 10WV	T
C924	F1H1C104A005	Ceramic, 0.1mF 16WV	T
C925	F1H1C104A005	Ceramic, 0.1mF 16WV	T
C926	F1K1A106A008	Ceramic, 10mF 10WV	T
C927	F1H1C104A005	Ceramic, 0.1mF 16WV	T
C928	F1H1C104A005	Ceramic, 0.1mF 16WV	T
C929	F1H1C104A005	Ceramic, 0.1mF 16WV	T
RESISTORS			
R901	ERJ8GEY0R00V	Chip, 0W 1/8W	T
R902	ERJ3GEYJ102V	Chip, 1kW 1/16W	T
R903	ERJ3GEYJ102V	Chip, 1kW 1/16W	T
R904	ERJ3GEYJ102V	Chip, 1kW 1/16W	T
R905	ERJ3GEYJ102V	Chip, 1kW 1/16W	T
R906	ERJ3GEYJ101V	Chip, 100W 1/16W	T
R907	ERJ3GEYJ821V	Chip, 820W 1/16W	T

Ref. No.	Part No.	Part Name & Description	Remarks
R908	ERJ3GEYJ473V	Chip, 47kW 1/16W	T
R909	ERJ3GEYJ101V	Chip, 100W 1/16W	T
R910	ERJ3GEYJ102V	Chip, 1kW 1/16W	T
R911	ERJ3GEYJ103V	Chip, 10kW 1/16W	T
R912	ERJ3GEYJ103V	Chip, 10kW 1/16W	T
R913	ERJ3GEYJ103V	Chip, 10kW 1/16W	T
R914	ERJ3GEYJ333V	Chip, 33kW 1/16W	T
R916	ERJ3GEYJ103V	Chip, 10kW 1/16W	T
R917	ERJ3GEYJ271V	Chip, 270W 1/16W	T
R918	ERJ3GEYJ271V	Chip, 270W 1/16W	T
R919	ERJ3GEYJ271V	Chip, 270W 1/16W	T
R920	ERJ3GEYJ271V	Chip, 270W 1/16W	T
R921	ERJ3GEYJ471V	Chip, 470W 1/16W	T
R922	ERJ3GEYJ101V	Chip, 100W 1/16W	T
R923	ERJ3GEYJ102V	Chip, 1kW 1/16W	T
R924	ERJ3GEYJ333V	Chip, 33kW 1/16W	T
R925	ERJ3GEYJ472V	Chip, 4.7kW 1/16W	T
R926	ERJ3GEYJ472V	Chip, 4.7kW 1/16W	T
R927	ERJ3GEYJ472V	Chip, 4.7kW 1/16W	T
R928	ERJ3GEYJ472V	Chip, 4.7kW 1/16W	T
R929	ERJ3GEYJ473V	Chip, 47kW 1/16W	T
R930	ERJ3GEYJ274V	Chip, 270kW 1/16W	T
R931	ERJ3GEYJ102V	Chip, 1kW 1/16W	T
R932	ERJ3GEYJ101V	Chip, 100W 1/16W	T
R933	ERJ3GEYJ101V	Chip, 100W 1/16W	T
R934	ERJ3GEYJ102V	Chip, 1kW 1/16W	T
R936	ERJ3GEY0R00V	Chip, 0W 1/16W	T
R939	ERJ3GEYJ184V	Chip, 180kW 1/16W	T
R940	ERJ3GEYJ104V	Chip, 100kW 1/16W	T
R941	ERJ3GEYJ184V	Chip, 180kW 1/16W	T
R942	ERJ3GEYJ184V	Chip, 180kW 1/16W	T
R943	ERJ3GEYJ472V	Chip, 4.7kW 1/16W	T
R944	ERJ3GEYJ103V	Chip, 10kW 1/16W	T
R945	ERJ3GEYJ102V	Chip, 1kW 1/16W	T
R949	ERJ8GEY0R00V	Chip, 0W 1/8W	T
R950	ERJ3GEYJ473V	Chip, 47kW 1/16W	T
R951	ERJ3GEYJ473V	Chip, 47kW 1/16W	T
R952	ERJ3GEYJ152V	Chip, 1.5kW 1/16W	T
R953	ERJ3GEYJ561V	Chip, 560W 1/16W	T
R956	ERJ3GEYJ473V	Chip, 47kW 1/16W	T
R957	ERJ3GEYJ473V	Chip, 47kW 1/16W	T
R958	ERJ3GEYJ473V	Chip, 47kW 1/16W	T
R959	ERJ3GEYJ473V	Chip, 47kW 1/16W	T
R960	ERJ3GEYJ473V	Chip, 47kW 1/16W	T
R961	ERJ3GEYJ473V	Chip, 47kW 1/16W	T
R962	ERJ3GEYJ223V	Chip, 22kW 1/16W	T
CONNECTORS			
CN901	K1NZ16D00001	Connector, 16P	T
CN902	K1MN34BA0109	Connector, 34P	T
CN903	K1MN34BA0109	Connector, 34P	T
CN904	K1MN19BA0110	Connector, 19P	T
COILS			
FL1	J0JCC0000118	Coil	T
SWITCHES			
SW901	K0H1BA000445	Switch	T
SW902	K0H1BA000445	Switch	T
SW903	K0H1BA000445	Switch	T
SW904	K9AA024A0013	Switch	T
SW905	K0H1BA000445	Switch	T
SW906	K0H1BA000445	Switch	T
SW907	K0H1BA000445	Switch	T
SW908	K0H1BA000445	Switch	T
SW909	K0H1BA000445	Switch	T
SW910	K0H1BA000445	Switch	T
SW911	K0H1BA000445	Switch	T
SW912	K0H1BA000445	Switch	T
SW913	K0H1BA000445	Switch	T

Ref. No.	Part No.	Part Name & Description	Remarks
CRYSTALS			
X1	H2D800400017	Ceramic Oscillator	T
NETWORK RESISTORS			
RA901	D1H847340001	Network Resistor	T
RA902	D1H822140004	Network Resistor	T
RA903	D1H822140004	Network Resistor	T
RA904	D1H822140004	Network Resistor	T
RA905	D1H822140004	Network Resistor	T
THERMISTORS			
TH901	D4CC14730002	Thermistor	T
Accessories			
PRINTINGS			
	YEFM285773A	Operating Instructions	T
	YEFM262688A	System Upgrade Guidebook	T
	YEFM294139A	Installation Instructions	T
	YEFM294140A		T
	YEFM294141A		T
INSTALLATION PARTS			
	EUR7641010	Remote Control Unit (includes a battery)	T
	CR2025/1F	Lithium Battery	T, △
	YGAJ021010	Power Connector	T
	YEFX0217314	Mounting Collar	T
	YEFXC051013	Trim Plate	T
	YEP0FZ5740	Installation Kit (Lock Cancel Plate, Mounting Bolt, ISO Antenna Adapter)	T
	YEFA134145	Removable Face Plate Case	T
Mechanical Parts			
MISCELLANEOUS			
ANT51	YEAA10090	Antenna Receptacle	T
AP2	YGAP2985	FPC	T
AT1-3	K4ZZ01000048	Terminal	T
CN1	K1NZ16H00002	Connector, 16P	T
HP1	K4ZZ01000043	Terminal	T
HP2	K4ZZ01000044	Terminal	T
OEL901	L5HAZ8B00001	EI Plate	T
1	YEFA031898A	Upper Cover	T
2	YEP0FX13408	Removable Face Plate Unit	T, RTL
3	YEFA134121	Back Cover, Detachable	T
4	YEFX9995948	Optical Shade	T
5	YGP0PT9781W9	Display PCB w/Component	T, RTL
6	YEFV023520	Optical Shade	T
7	YEFV012614	Insulator	T
10	YEFK061409	OEL Holder	T
11	YEFX0053121	Spring	T
12	YEFE071005	Knob, Vol	T
14	YEFX0217432	Case, OEL901	T
15	YEFX9995949	Double Face Tape	T
17	YEFJ013132	Decoration Board L	T
18	YEFX0013230	Indicator, Arc	T
19	YEFJ013045	Acryl Panel	T
20	YEFN07041	Panasonic Badge	T
21	YEFM991740	Double Face Tape	T
22	YEFX0266360	Front Cover	T
27	YEFE1310578	Button, TUNE/TRACK Base	T
28	YEFJ013047	Vol Plate B	T
29	YEFE1310577	Button, TUNE/TRACK Cap	T
31	YEFK061410	Shading Cover	T
32	YEFV023500	Optical Shade	T
33	YEFX0013229	Transparent Plate	T

Ref. No.	Part No.	Part Name & Description	Remarks
34	YEFV023501	Optical Shade	T
35	YEFE1310573	Button, SRC	T
36	YEFE1310574	Button, MENU, BAND, D	T
37	YEFE1310575	Button, EJ/TA/SQ/MUTE	T
38	YEFE1310579	Button, Release	T
39	YEFX0053122	Spring	T
44	YEFM031608	Laser Seal	T
45	YEFR041005	Cap	T
46	YEFM031609	Laser Seal	T
50	YEFA07669	Front Plate	T
51	YEFM0266429	Rear Cover, Escutcheon	T
52	YEFS022538	Pad	T
53	YEFX0013249	Transparent Plate, Escutcheon	T
54	YEFS012500	Pad, Escutcheon	T
55	YEFM0266428	Front Cover, Escutcheon	T
56	YEFA134132	Flexible PCB Case	T
57	YEP9FX352	Drive, Mechanical Assy	T
58	YGP0PT3108Y9	Main/Sub PCB W/Component	T, RTL
59	YEFX0216269	Bracket, IC730	T
60	YEFX0213945B	Bracket, IC271	T
61	YEFF012035	Heat Sink	T
62	YEFX007685	Clamper	T
63	YEFA081009AK	Rear Plate	T
65	YEFX0217229	Bracket, IC701	T
66	YEFV034018	Magnetic Shield, Main	T
70	YEJS06404A	Binding Screw	T
71	XTB2+6GFJ	Tapping Screw	T
73	YEJT03333A	Tapping Screw	T
74	XQN2+C4FJK	Machin Screw	T
75	XQN2+BG8FJK	Machin Screw	T
76	XSB3+14FJ	Binding Screw	T
77	XSB3+6FJ	Binding Screw	T
78	XSB26+8FJ	Binding Screw	T
80	XTB3+6FFJ	Tapping Screw	T
81	XTB26+6FFJ	Tapping Screw	T

13 EXPLODED VIEW (Unit)



14 CD PLAYER PARTS LIST

Notes :

1. Be sure to make your orders of replacement parts according to this list.
2. Important safety notice: Components, identified by \triangle mark have special characteristics important for safety. When replacing any of these components, use only manufacturer's specified parts.
3. Location keys in the remarks column indicates the general location of the parts shown in the exploded drawing, as in a road map.
4. The marking (RTL) indicates that Retention Time is limited for this item. After the discontinuation of assembly in production, the item will continue to be available for a specific period of time. The retention period of availability is dependent on the type of assembly, and in accordance with the laws governing part and product retention. After the end of this period, the assembly will no longer be available.

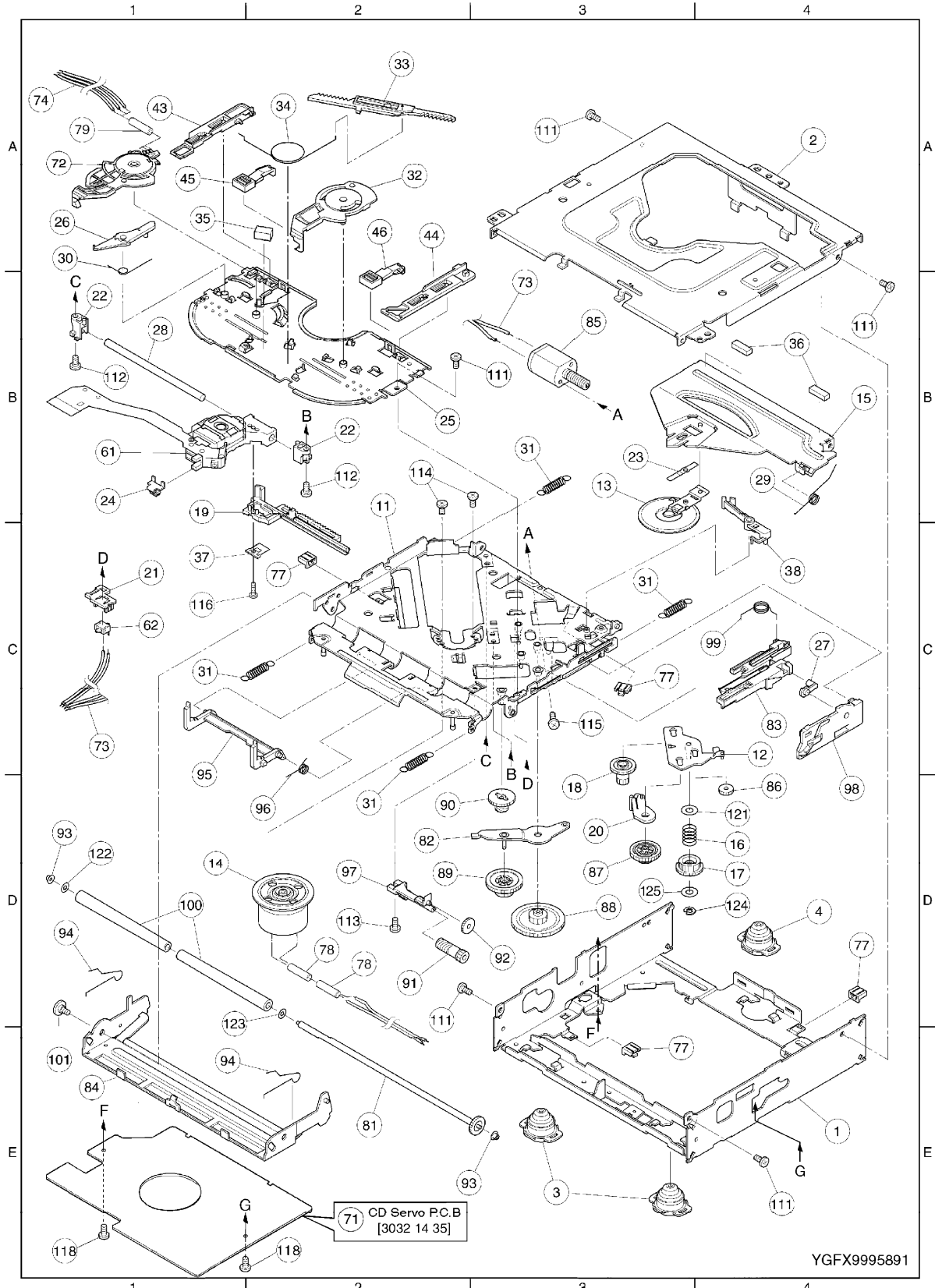
- Order intake period is basically six months after the first shipment.

Ref. No.	Part No.	Part Name & Description	Remarks
[3032-14-35] CD Servo Block			
IC's and TRANSISTORS			
IC101	YESAM337	IC	
IC201	YESAM343	IC	
IC301	YESAM339	IC	
IC401	YESAM341	IC	
IC402	YESAM342	IC	
IC403	YESAM341	IC	
Q201	YESAN086	Transistor	
Q202	B1GDCFJ0008	Transistor	
Q203	YESAN116	Transistor	
Q204	YESAN116	Transistor	
CAPACITORS			
C101	YESCC439	Ceramic, 0.1 μ F 25WV	
C102	YESCC439	Ceramic, 0.1 μ F 25WV	
C103	YESCC439	Ceramic, 0.1 μ F 25WV	
C104	YESCC441	Ceramic, 1000pF 50WV	
C105	YESCC441	Ceramic, 1000pF 50WV	
C151	YESCC388	Electrolytic, 100 μ F 16WV	
C201	YESCC448	Ceramic, 0.033 μ F 25WV	
C202	YESCC448	Ceramic, 0.033 μ F 25WV	
C203	YESCC439	Ceramic, 0.1 μ F 25WV	
C204	YESCC439	Ceramic, 0.1 μ F 25WV	
C205	YESCC439	Ceramic, 0.1 μ F 25WV	
C206	YESCC439	Ceramic, 0.1 μ F 25WV	
C207	YESCC439	Ceramic, 0.1 μ F 25WV	
C208	YESCC439	Ceramic, 0.1 μ F 25WV	
C209	YESCC446	Ceramic, 2200pF 50WV	
C210	YESCC439	Ceramic, 0.1 μ F 25WV	
C211	YESCC439	Ceramic, 0.1 μ F 25WV	
C212	YESCC439	Ceramic, 0.1 μ F 25WV	
C213	YESCC439	Ceramic, 0.1 μ F 25WV	
C214	YESCC435	Ceramic, 47pF 50WV	
C215	YESCC444	Ceramic, 0.015 μ F 50WV	
C216	YESCC442	Ceramic, 0.01 μ F 50WV	
C218	YESCC442	Ceramic, 0.01 μ F 50WV	
C219	YESCC525	Ceramic, 0.047 μ F 50WV	
C220	YESCC439	Ceramic, 0.1 μ F 25WV	
C221	YESCC442	Ceramic, 0.01 μ F 50WV	
C222	YESCC439	Ceramic, 0.1 μ F 25WV	
C223	YESCC444	Ceramic, 0.015 μ F 50WV	
C224	YESCC439	Ceramic, 0.1 μ F 25WV	
C225	YESCC520	Ceramic, 68pF 50WV	
C226	YESCC439	Ceramic, 0.1 μ F 25WV	
C227	YESCC439	Ceramic, 0.1 μ F 25WV	

Ref. No.	Part No.	Part Name & Description	Remarks
C228	YESCC439	Ceramic, 0.1 μ F 25WV	
C229	YESCC439	Ceramic, 0.1 μ F 25WV	
C230	YESCC442	Ceramic, 0.01 μ F 50WV	
C231	YESCC442	Ceramic, 0.01 μ F 50WV	
C232	YESCC388	Electrolytic, 100 μ F 16WV	
C233	YESCC388	Electrolytic, 100 μ F 16WV	
C234	YESCC439	Ceramic, 0.1 μ F 25WV	
C235	YESCC442	Ceramic, 0.01 μ F 50WV	
C236	YESCC439	Ceramic, 0.1 μ F 25WV	
C237	YESCC432	Ceramic, 220pF 50WV	
C238	YESCC432	Ceramic, 220pF 50WV	
C241	YESCC521	Ceramic, 680pF 50WV	
C242	YESCC521	Ceramic, 680pF 50WV	
C251	YESCC459	Electrolytic, 47 μ F 6.3WV	
C252	YESCC388	Electrolytic, 100 μ F 16WV	
C253	YESCC458	Electrolytic, 100 μ F 4WV	
C256	YESCC388	Electrolytic, 100 μ F 16WV	
C257	YESCC388	Electrolytic, 100 μ F 16WV	
C258	YESCC391	Electrolytic, 100 μ F 16WV	
C260	YESCC439	Ceramic, 0.1 μ F 25WV	
C261	YESCC439	Ceramic, 0.1 μ F 25WV	
C263	YESCC439	Ceramic, 0.1 μ F 25WV	
C264	YESCC524	Ceramic, 0.033 μ F 50WV	
C301	YESCC519	Ceramic, 470pF 50WV	
C302	YESCC519	Ceramic, 470pF 50WV	
C303	YESCC450	Ceramic, 0.047 μ F 25WV	
C305	YESCC450	Ceramic, 0.047 μ F 25WV	
C306	YESCC439	Ceramic, 0.1 μ F 25WV	
C351	YESCC390	Electrolytic, 220 μ F 10WV	
C352	YESCC390	Electrolytic, 220 μ F 10WV	
C401	YESCC452	Ceramic, 1 μ F 16WV	
C403	YESCC453	Ceramic, 0.47 μ F 25WV	
C407	YESCC452	Ceramic, 1 μ F 16WV	
C408	YESCC453	Ceramic, 0.47 μ F 25WV	
C451	YESCC459	Electrolytic, 47 μ F 6.3WV	
C452	YESCC459	Electrolytic, 47 μ F 6.3WV	
C454	YESCC459	Electrolytic, 47 μ F 6.3WV	
C455	YESCC553	Electrolytic, 47 μ F 10WV	
RESISTORS			
L101	YESRG241	Chip, 0 Ω 1/8W	
L301	YESRG241	Chip, 0 Ω 1/8W	
L401	YESRG241	Chip, 0 Ω 1/8W	
L403	YESRG241	Chip, 0 Ω 1/8W	
R101	YESRG233	Chip, 47k Ω 1/10W	
R102	YESRG233	Chip, 47k Ω 1/10W	
R103	YESRG233	Chip, 47k Ω 1/10W	
R104	ERJ3GEY0R00V	Chip, 0 Ω 1/16W	
R109	YESRG221	Chip, 100 Ω 1/10W	
R110	YESRG223	Chip, 10k Ω 1/10W	
R111	YESRG221	Chip, 100 Ω 1/10W	
R113	YESRG221	Chip, 100 Ω 1/10W	
R115	YESRG223	Chip, 10k Ω 1/10W	
R116	YESRG232	Chip, 4.7k Ω 1/10W	
R117	YESRG232	Chip, 4.7k Ω 1/10W	
R118	YESRG232	Chip, 4.7k Ω 1/10W	
R119	YESRG232	Chip, 4.7k Ω 1/10W	
R120	YESRG232	Chip, 4.7k Ω 1/10W	
R121	YESRG232	Chip, 4.7k Ω 1/10W	
R122	YESRG232	Chip, 4.7k Ω 1/10W	
R124	YESRG223	Chip, 10k Ω 1/10W	
R125	YESRG230	Chip, 3.3k Ω 1/10W	
R126	YESRG230	Chip, 3.3k Ω 1/10W	
R128	YESRG228	Chip, 22k Ω 1/10W	
R129	YESRG227	Chip, 2.2k Ω 1/10W	
R130	YESRG221	Chip, 100 Ω 1/10W	
R131	YESRG221	Chip, 100 Ω 1/10W	
R132	YESRG221	Chip, 100 Ω 1/10W	
R134	YESRG223	Chip, 10k Ω 1/10W	
R135	YESRG221	Chip, 100 Ω 1/10W	
R136	YESRG226	Chip, 220 Ω 1/10W	
R139	YESRG223	Chip, 10k Ω 1/10W	
R142	ERJ3GEY0R00V	Chip, 0 Ω 1/16W	

Ref. No.	Part No.	Part Name & Description	Remarks
116	YERJS01004	Camera Tapping Screw, 1.7*5	
118	YESJS01148	Screw, 2*4	
121	YERJW01001	P Washer, 3.5*8*0.3	
122	YERJW01002	HL Washer, 1.85*5*0.13	
123	YERJW01003	Lumilar Washer, 3.1*6*0.1	
124	YEJE01028	E-Ring S 1.5	
125	YERJW01005	P Washer, 2.1*4*0.13	

15 EXPLODED VIEW (CD Deck)



YGFX9995891