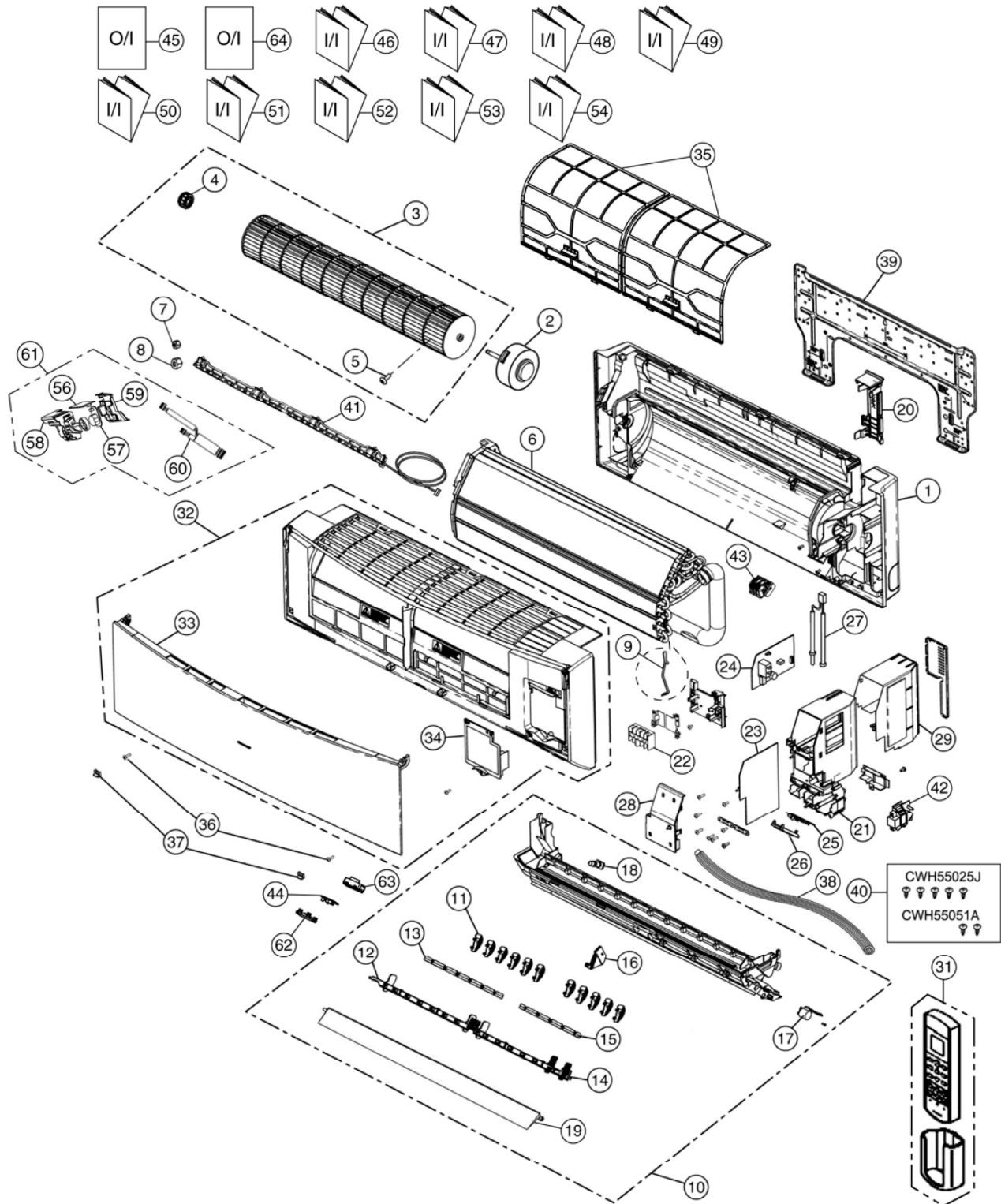


19 Exploded View and Replacement Parts List

19.1. Indoor Unit

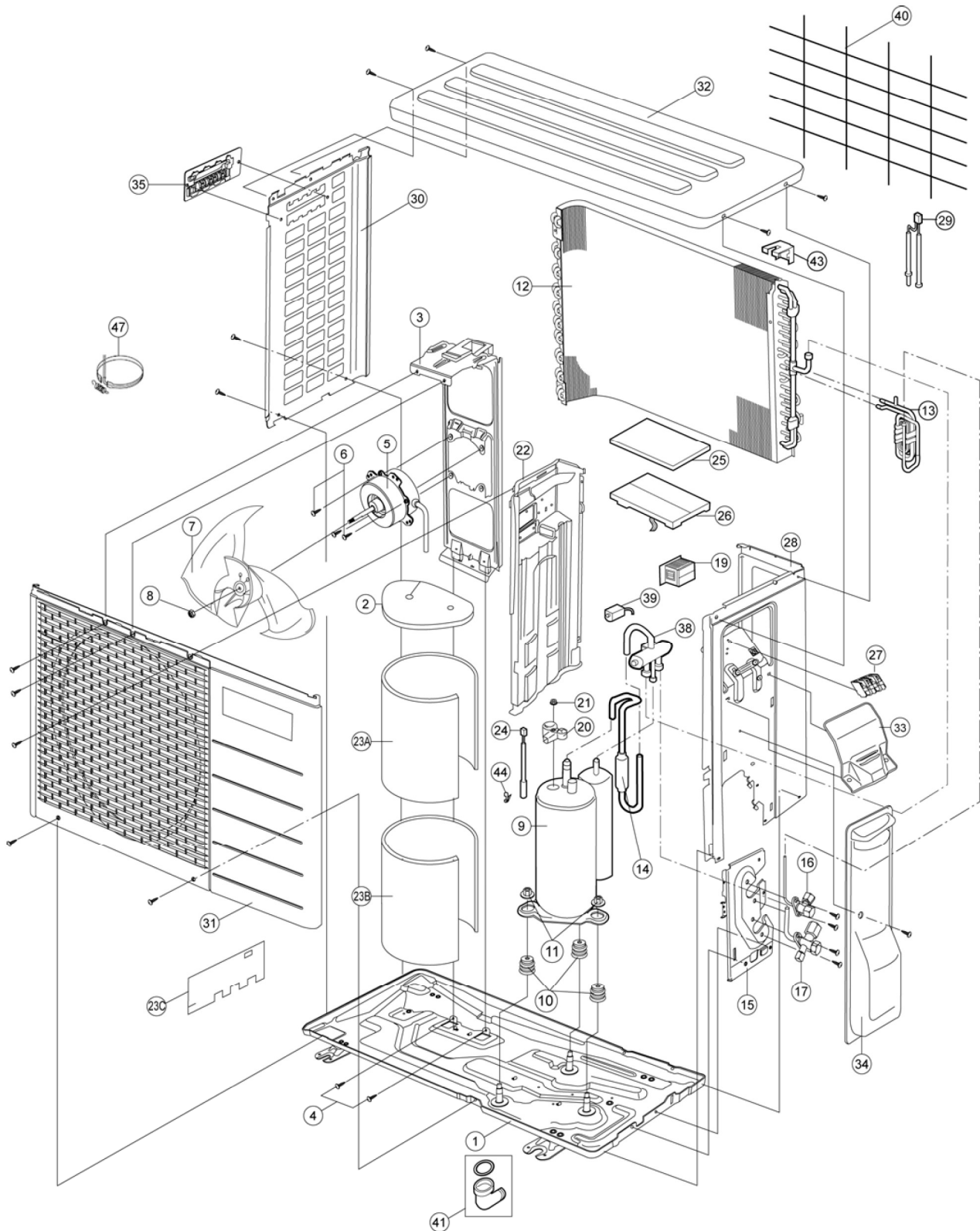
19.1.1. CS-E7LKEW CS-E9LKEW CS-E12LKEW CS-E15LKEW CS-XE7LKEW CS-XE9LKEW CS-XE12LKEW CS-XE15LKEW



Note
The above exploded view is for the purpose of parts disassembly and replacement.
The non-numbered parts are not kept as standard service parts.

19.2. Outdoor Unit

19.2.1. CU-E7LKE CU-E9LKE CU-E12LKE CU-E15LKE CU-E7LKE-3 CU-E9LKE-3 CU-E12LKE-3



Note

The above exploded view is for the purpose of parts disassembly and replacement.
The non-numbered parts are not kept as standard service parts.