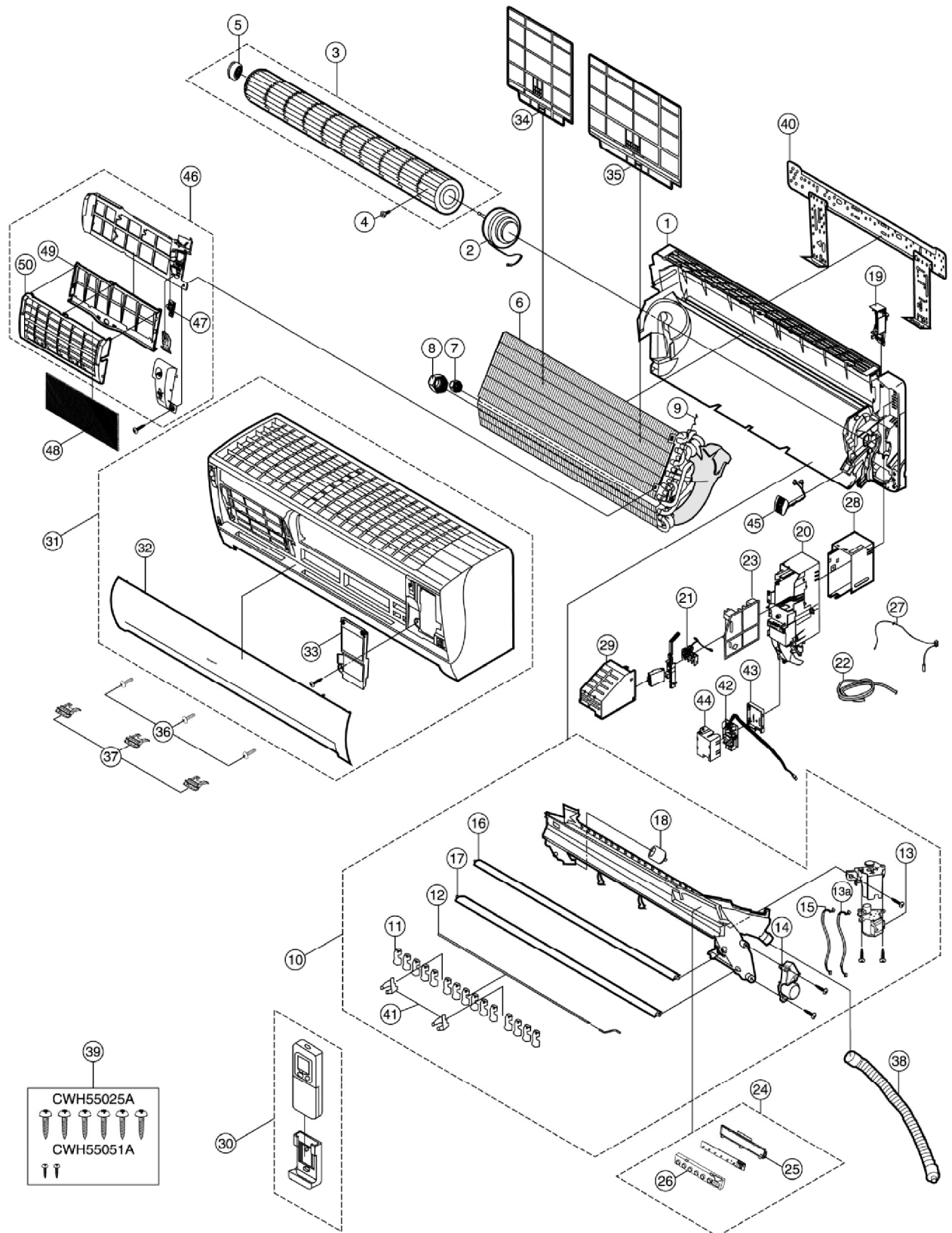


14.1.5. Exploded View (Indoor Unit)

CS-E18DKEW / CS-E18DKDW



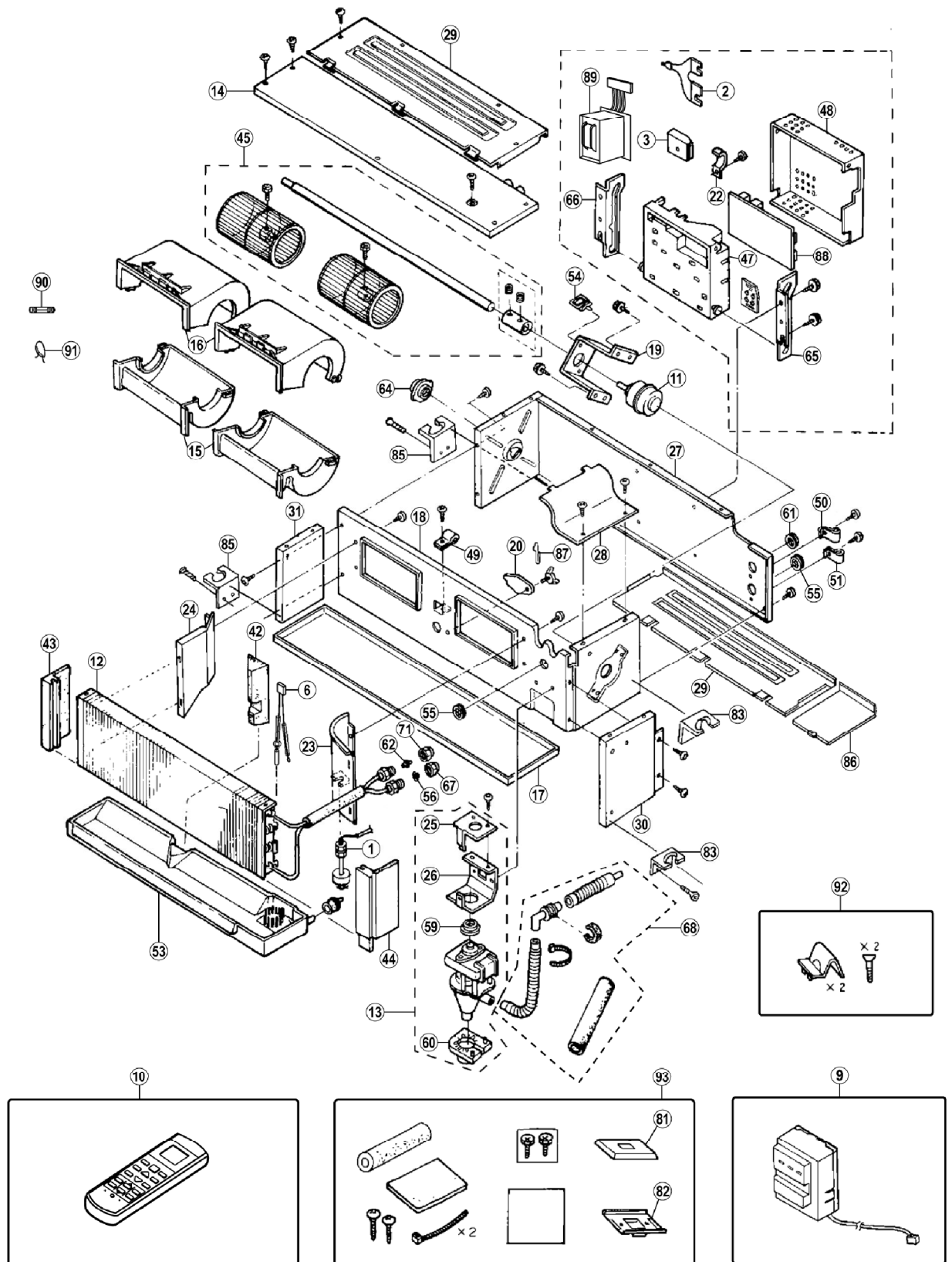
Note:

The above exploded view is for the purpose of parts disassembly and replacement.
The non-numbered parts are not kept as standard service parts.

14.2. Duct Type

14.2.1. Exploded View (Indoor Unit)

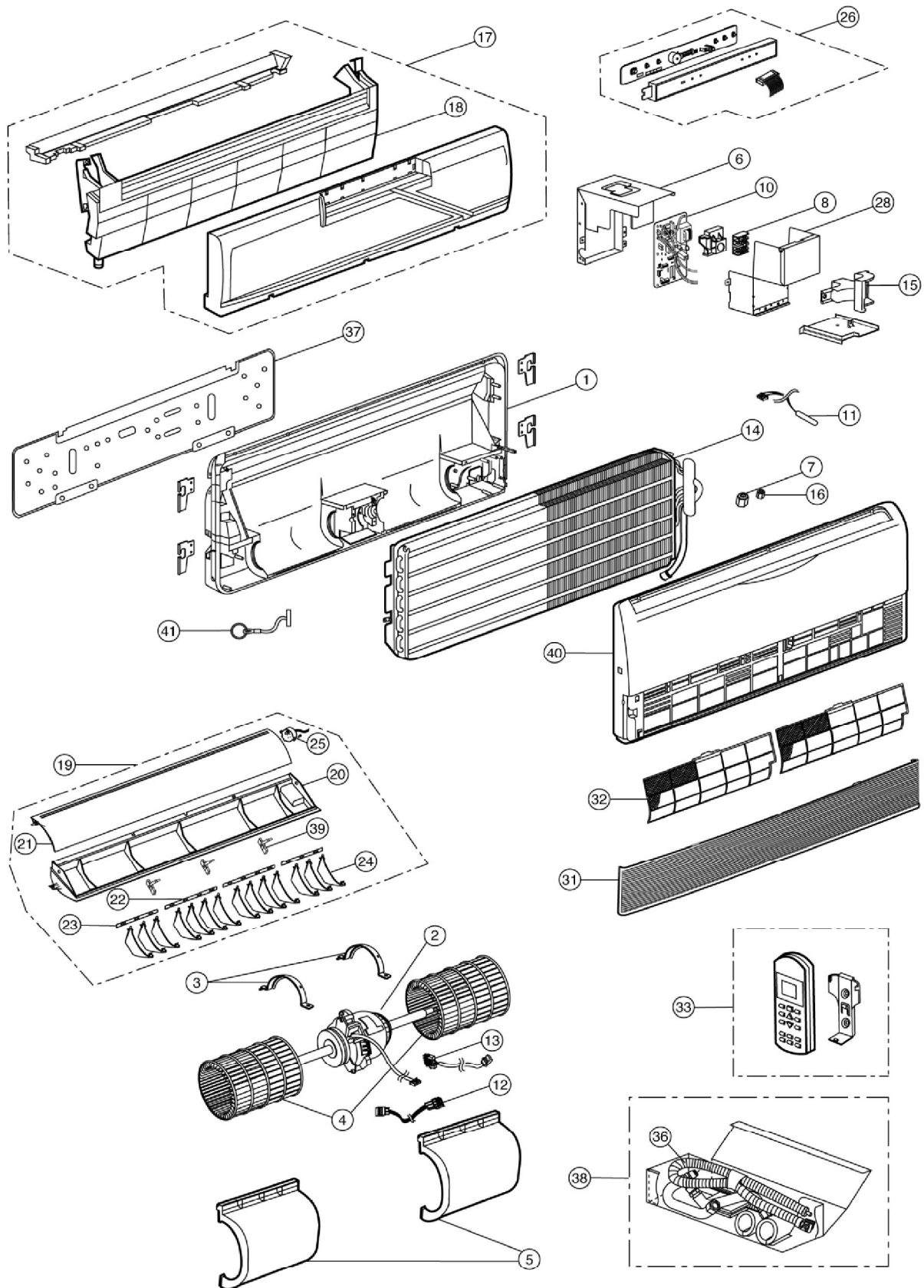
CS-ME10DD3EG / CS-E15DD3EW / CS-E18DD3EW



14.3. Ceiling Floor Type

14.3.1. Exploded View (Indoor Unit)

CS-ME10DTEG / CS-E15DTEW / CS-E18DTEW



Note:

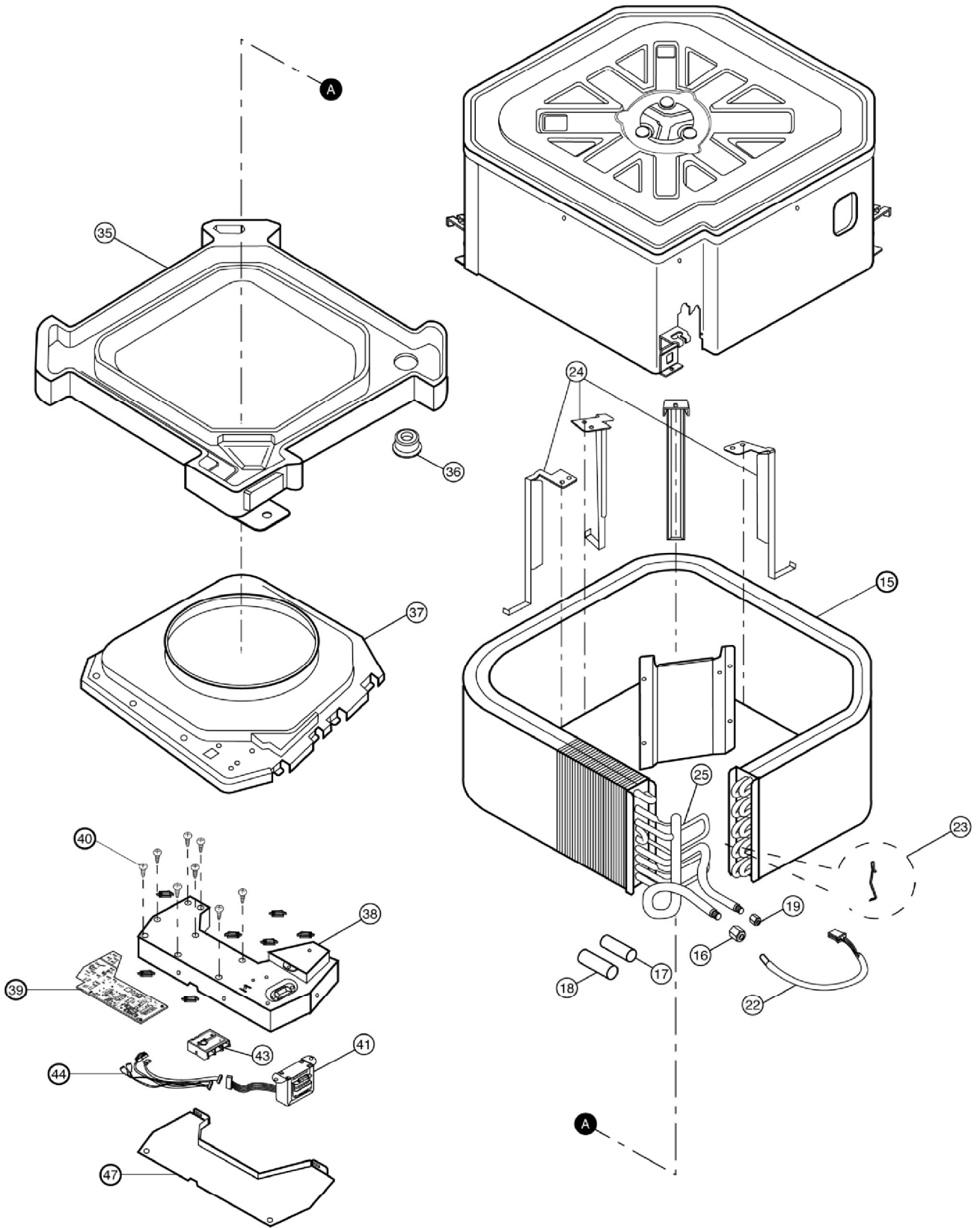
The above exploded view is for the purpose of parts disassembly and replacement.

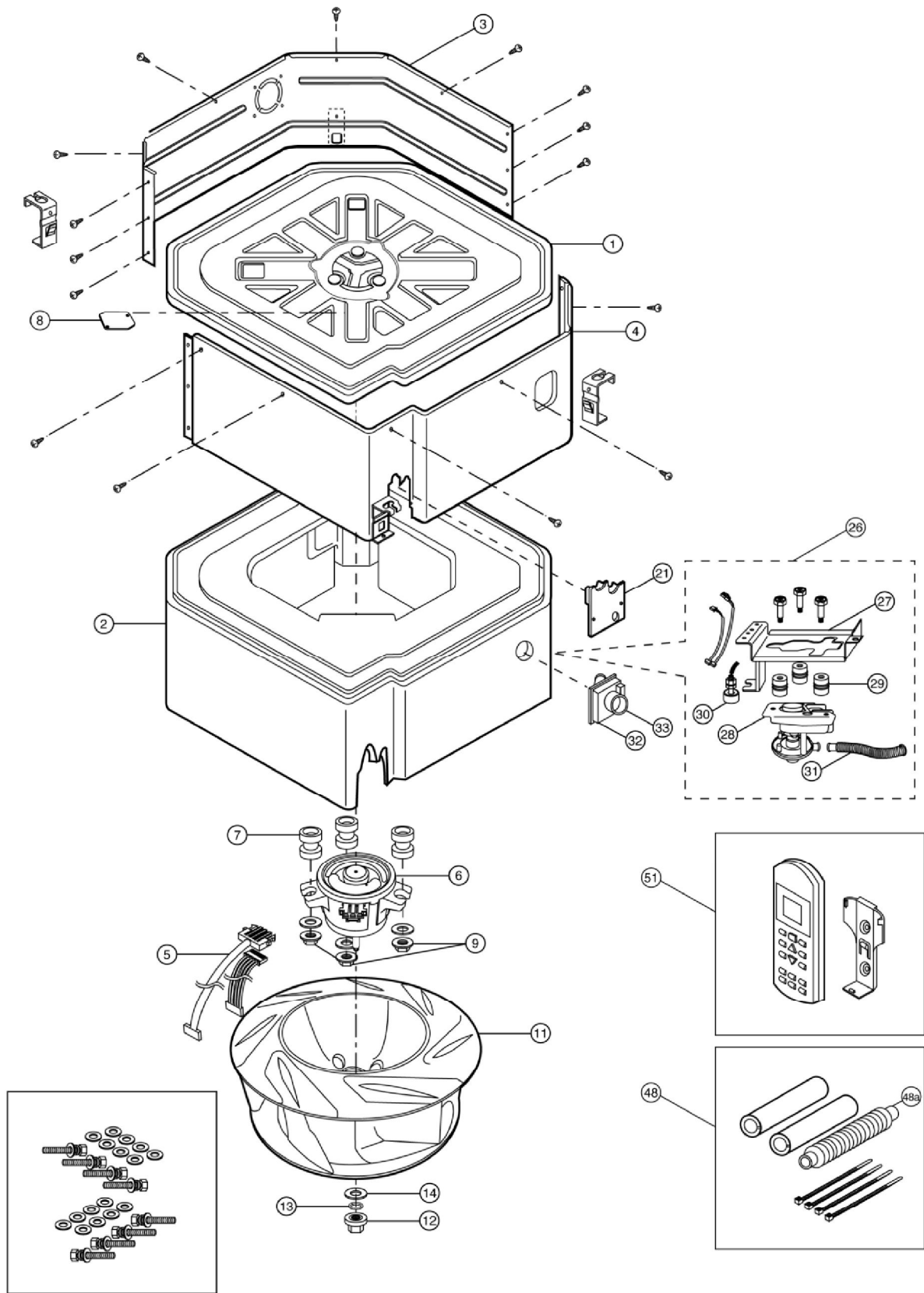
The non-numbered parts are not kept as standard service parts.

14.4. Mini-Cassette Type

14.4.1. Exploded View (Indoor Unit)

CS-E15DB4EW / CS-E18DB4EW



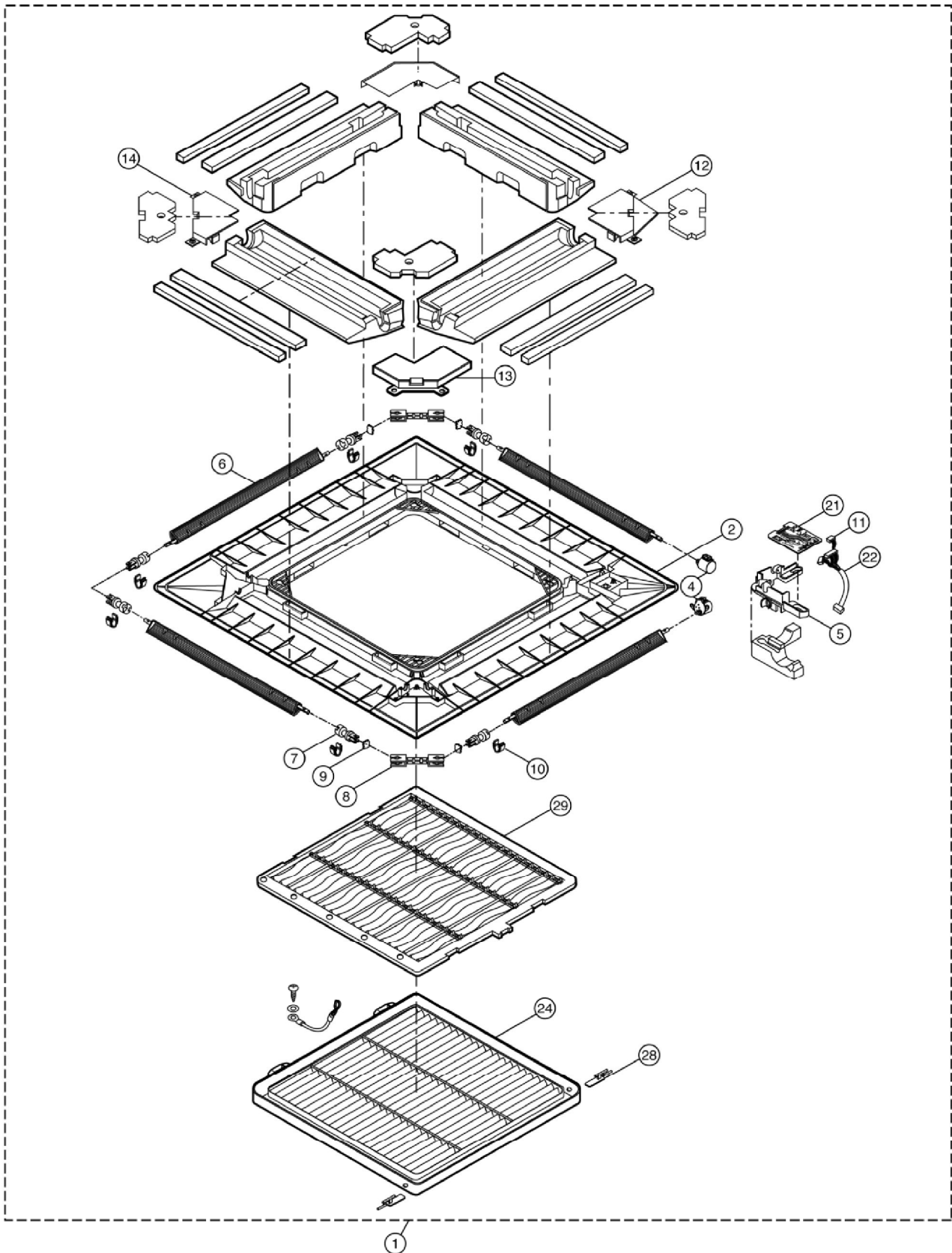


Note:

The above exploded view is for the purpose of parts disassembly and replacement.
 The non-numbered parts are not kept as standard service parts.

14.4.3. Exploded View (Indoor Unit Front Grille)

CZ-BT12DE (Front Grille Complete)



Note:

The above exploded view is for the purpose of parts disassembly and replacement.
The non-numbered parts are not kept as standard service parts.

14.5. Outdoor Unit

