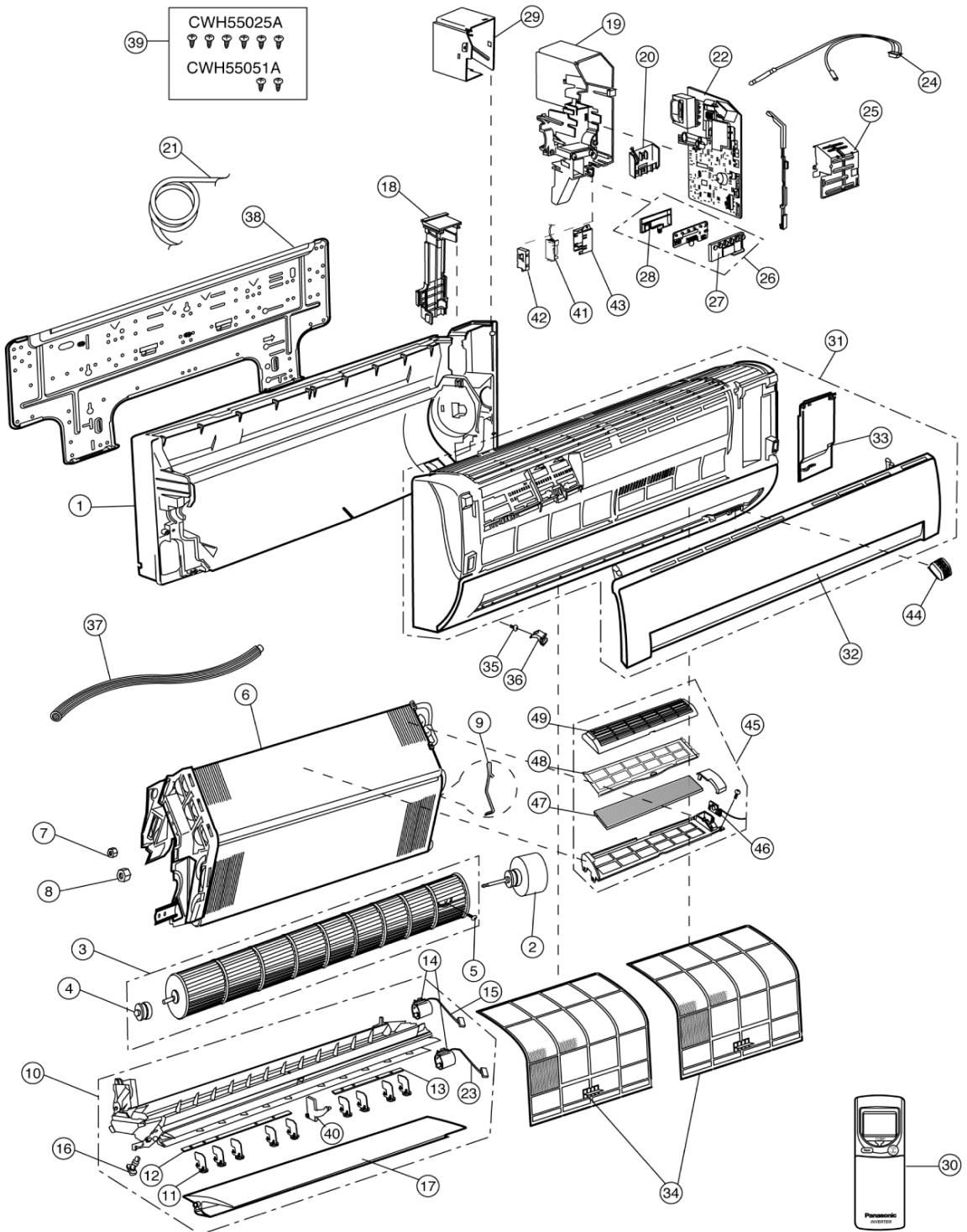


14 Exploded View and Replacement Parts List

14.1. Wall Type

14.1.1. Exploded View (Indoor Unit)

CS-ME7DKEG / CS-ME7DKDG / CS-E9DKEW / CS-E9DKDW / CS-E12DKEW / CS-E12DKDW



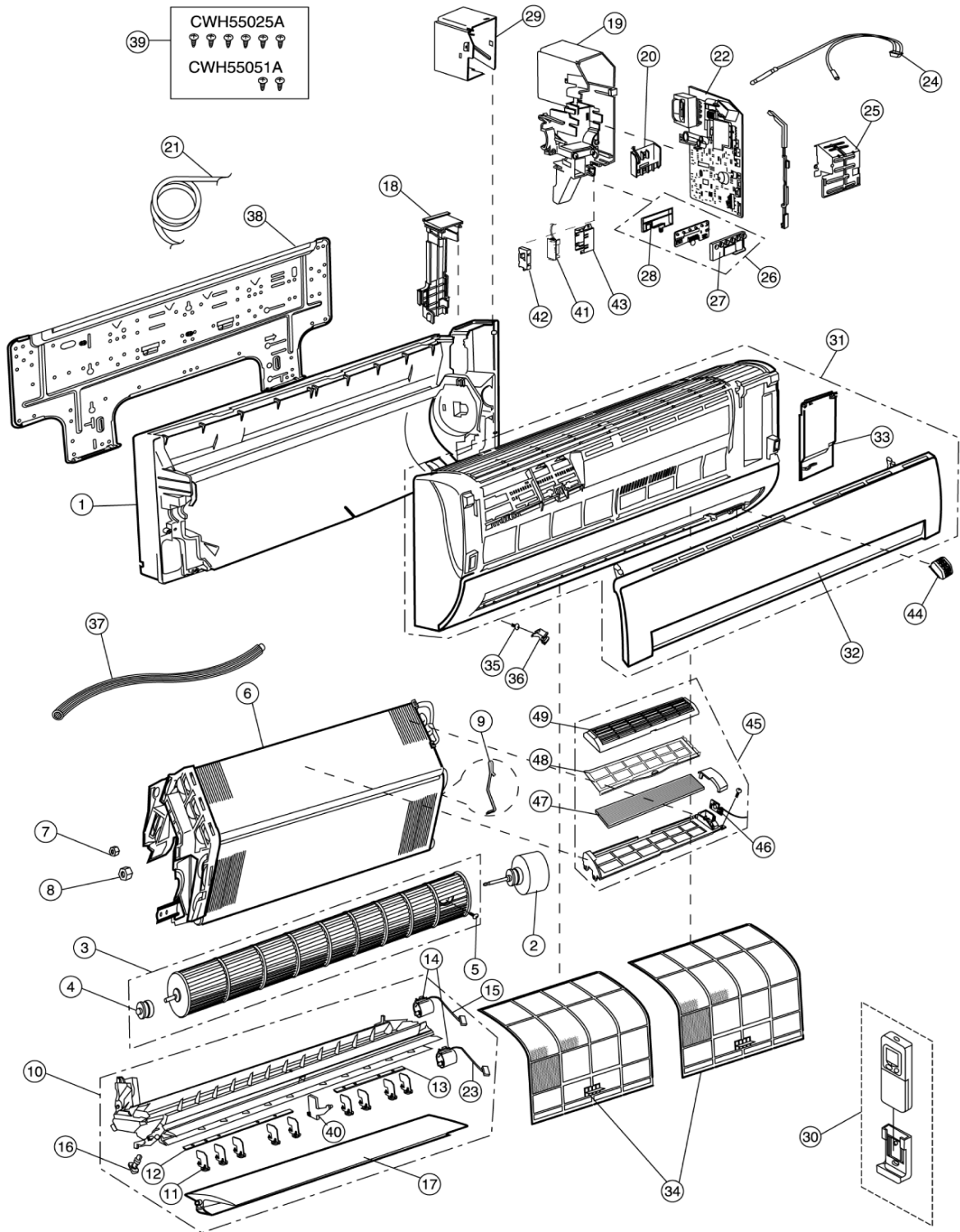
Note:

The above exploded view is for the purpose of parts disassembly and replacement.

The non-numbered parts are not kept as standard service parts.

14.1.3. Exploded View (Indoor Unit)

CS-E15DKEW / CS-E15DKDW

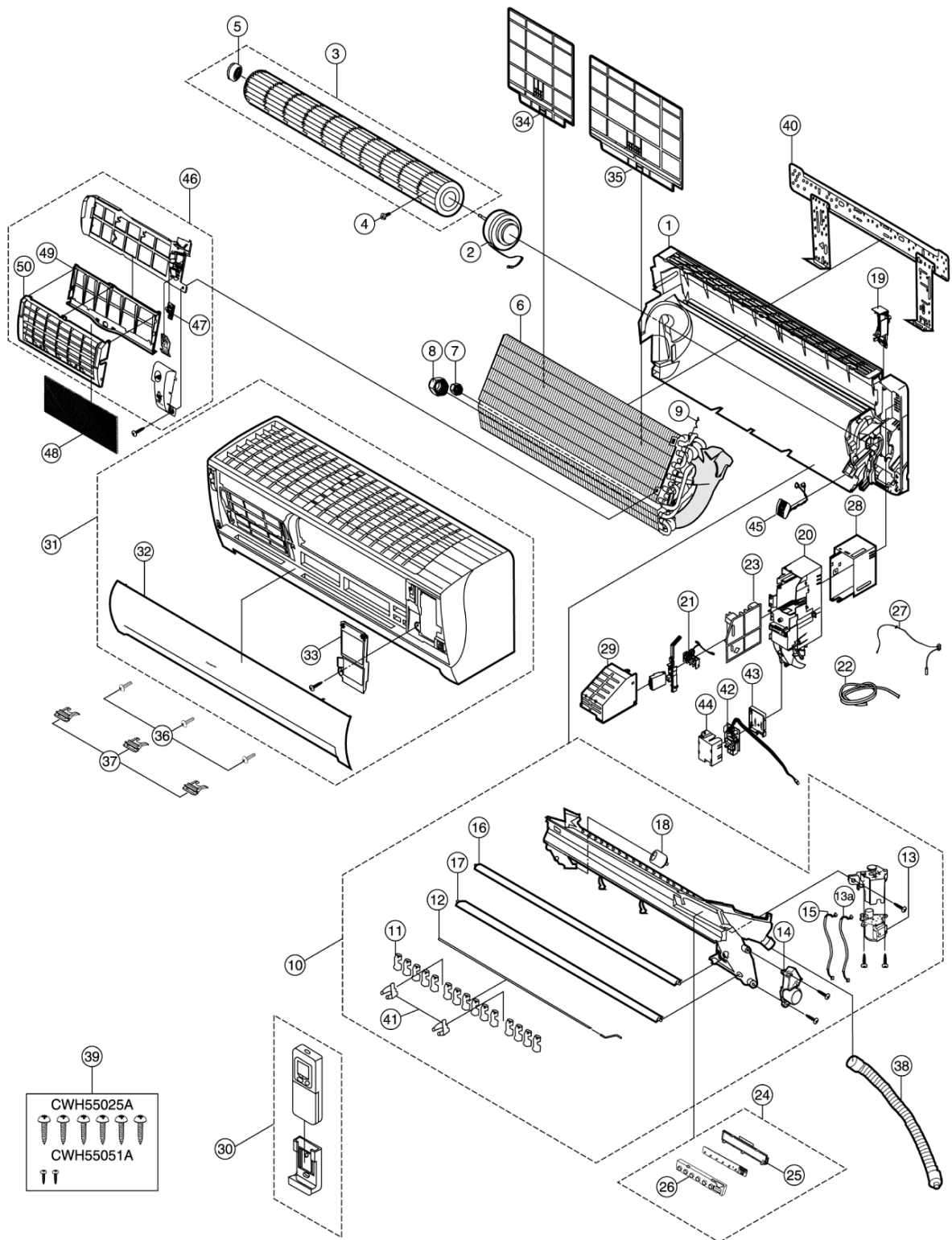


Note:

The above exploded view is for the purpose of parts disassembly and replacement.
The non-numbered parts are not kept as standard service parts.

14.1.5. Exploded View (Indoor Unit)

CS-E18DKEW / CS-E18DKDW



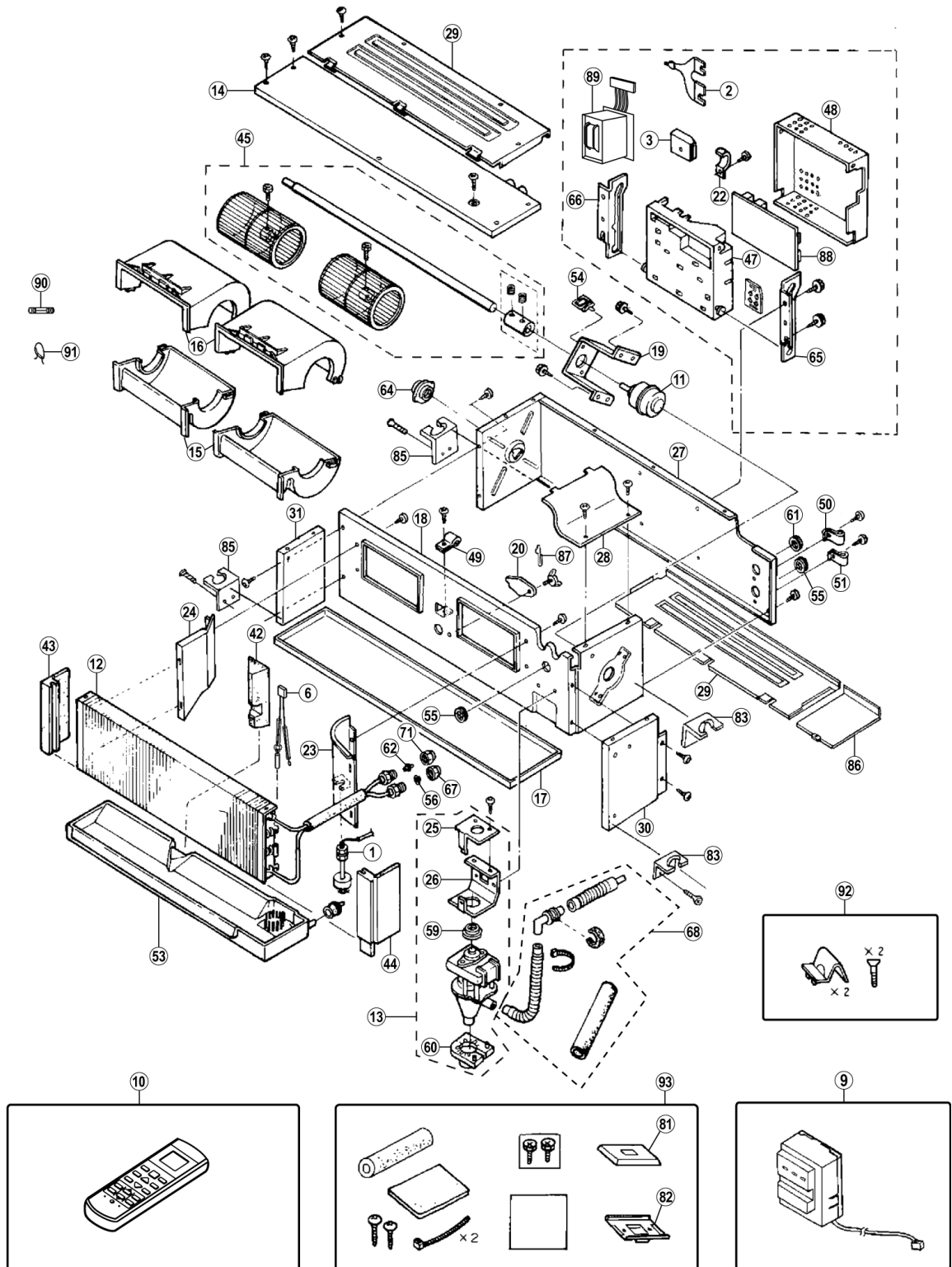
Note:

The above exploded view is for the purpose of parts disassembly and replacement.
The non-numbered parts are not kept as standard service parts.

14.2. Duct Type

14.2.1. Exploded View (Indoor Unit)

CS-ME10DD3EG / CS-E15DD3EW / CS-E18DD3EW



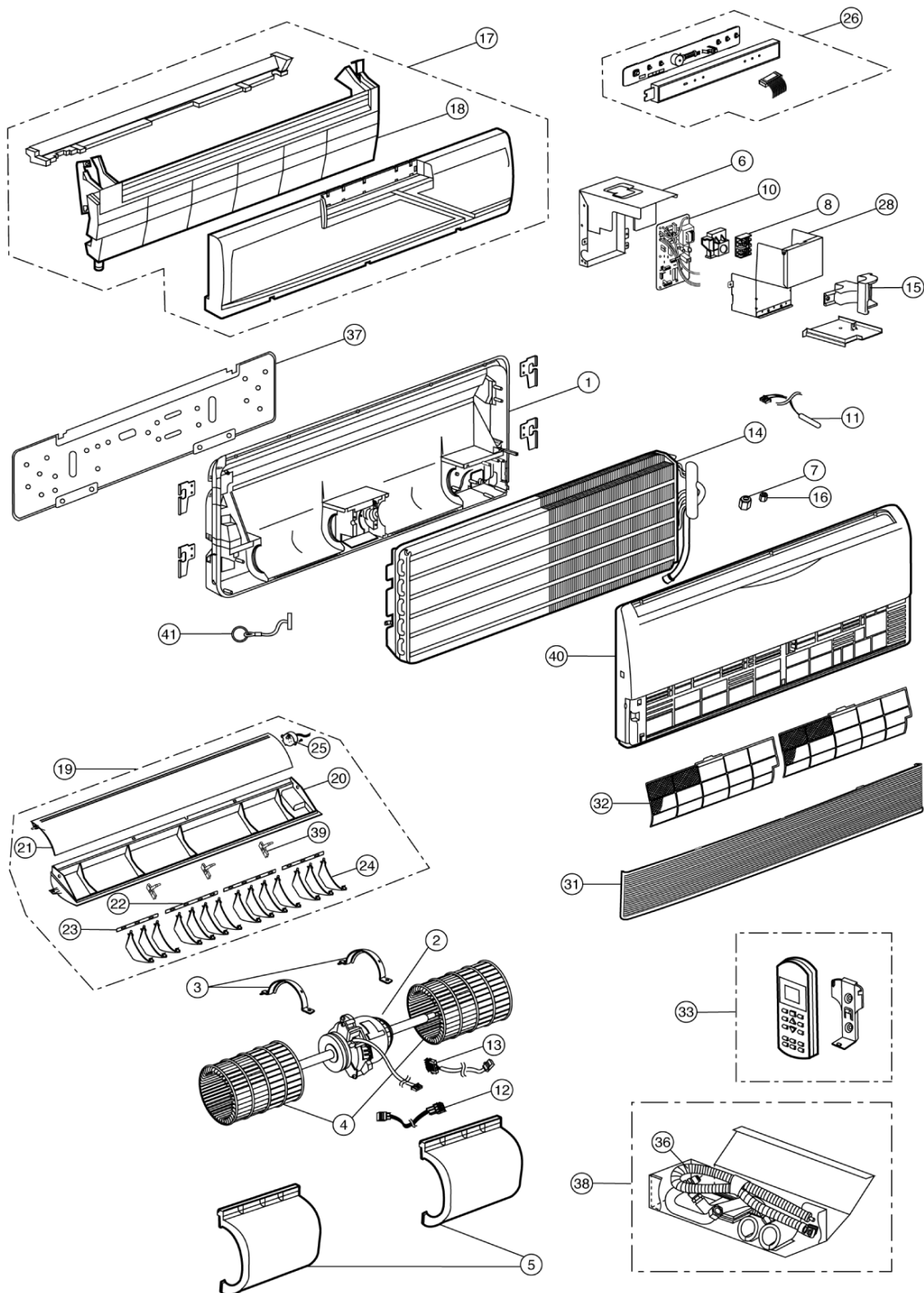
Note:

The above exploded view is for the purpose of parts disassembly and replacement.
The non-numbered parts are not kept as standard service parts.

14.3. Ceiling Floor Type

14.3.1. Exploded View (Indoor Unit)

CS-ME10DTEG / CS-E15DTEW / CS-E18DTEW



Note:

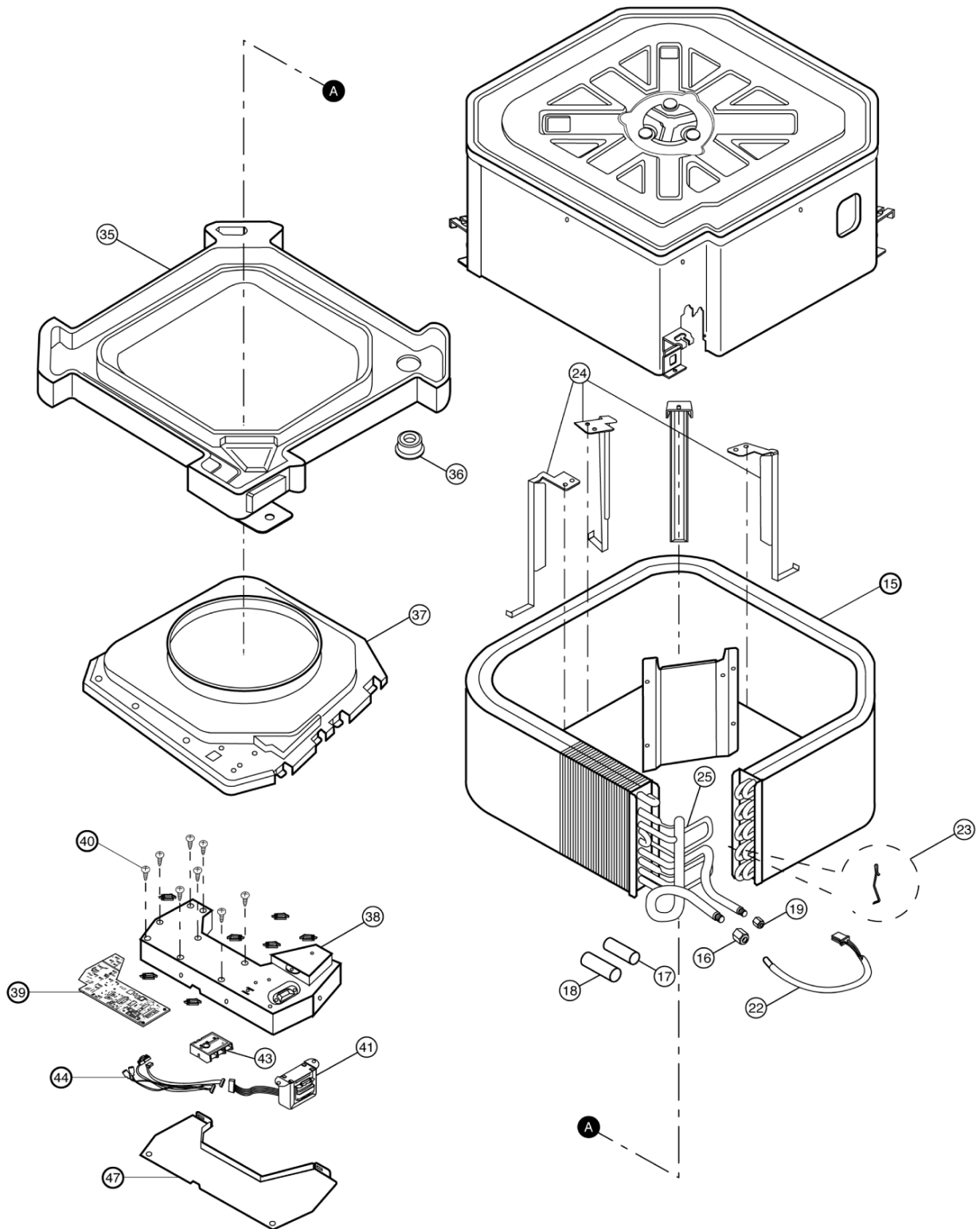
The above exploded view is for the purpose of parts disassembly and replacement.

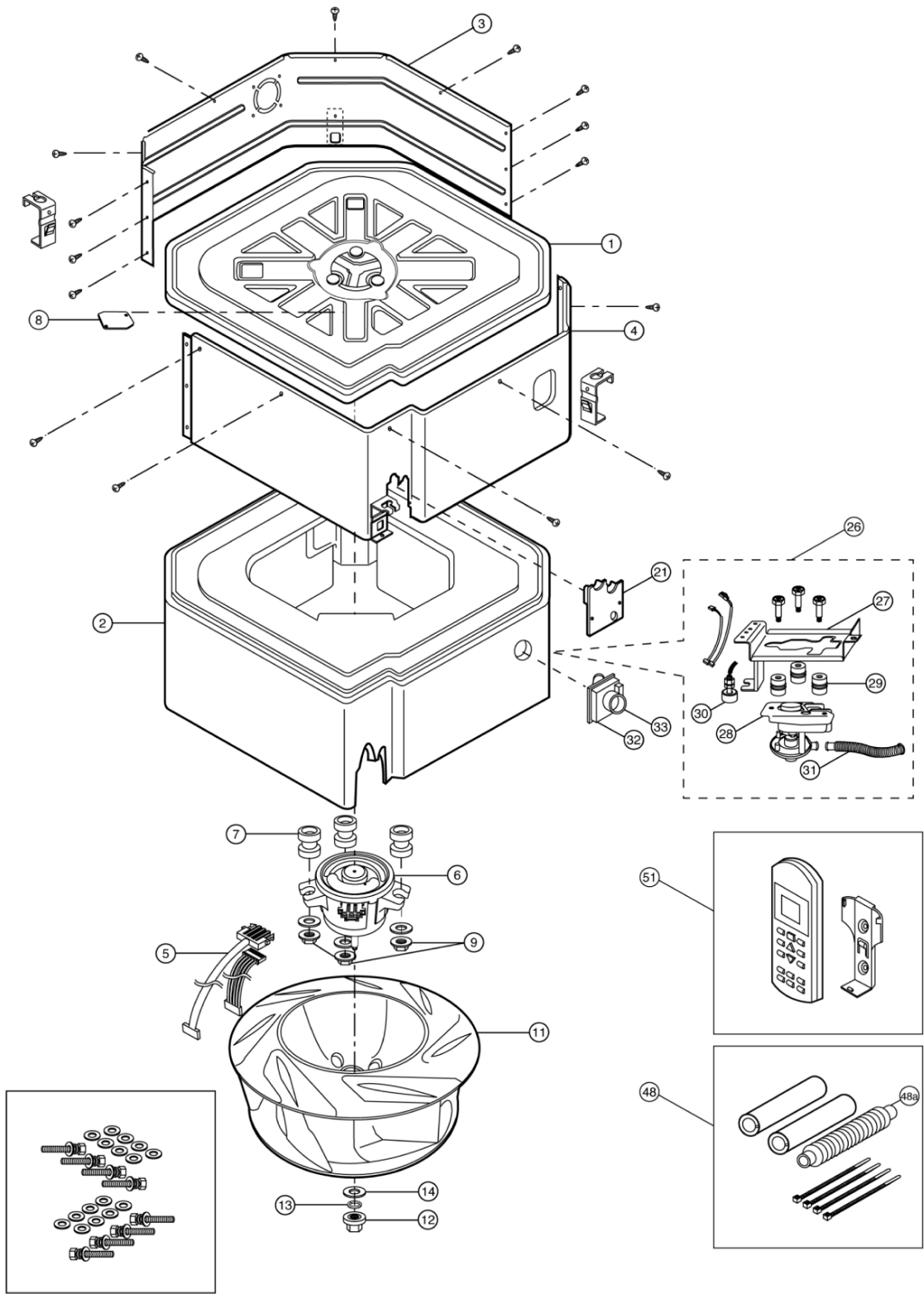
The non-numbered parts are not kept as standard service parts.

14.4. Mini-Cassette Type

14.4.1. Exploded View (Indoor Unit)

CS-E15DB4EW / CS-E18DB4EW



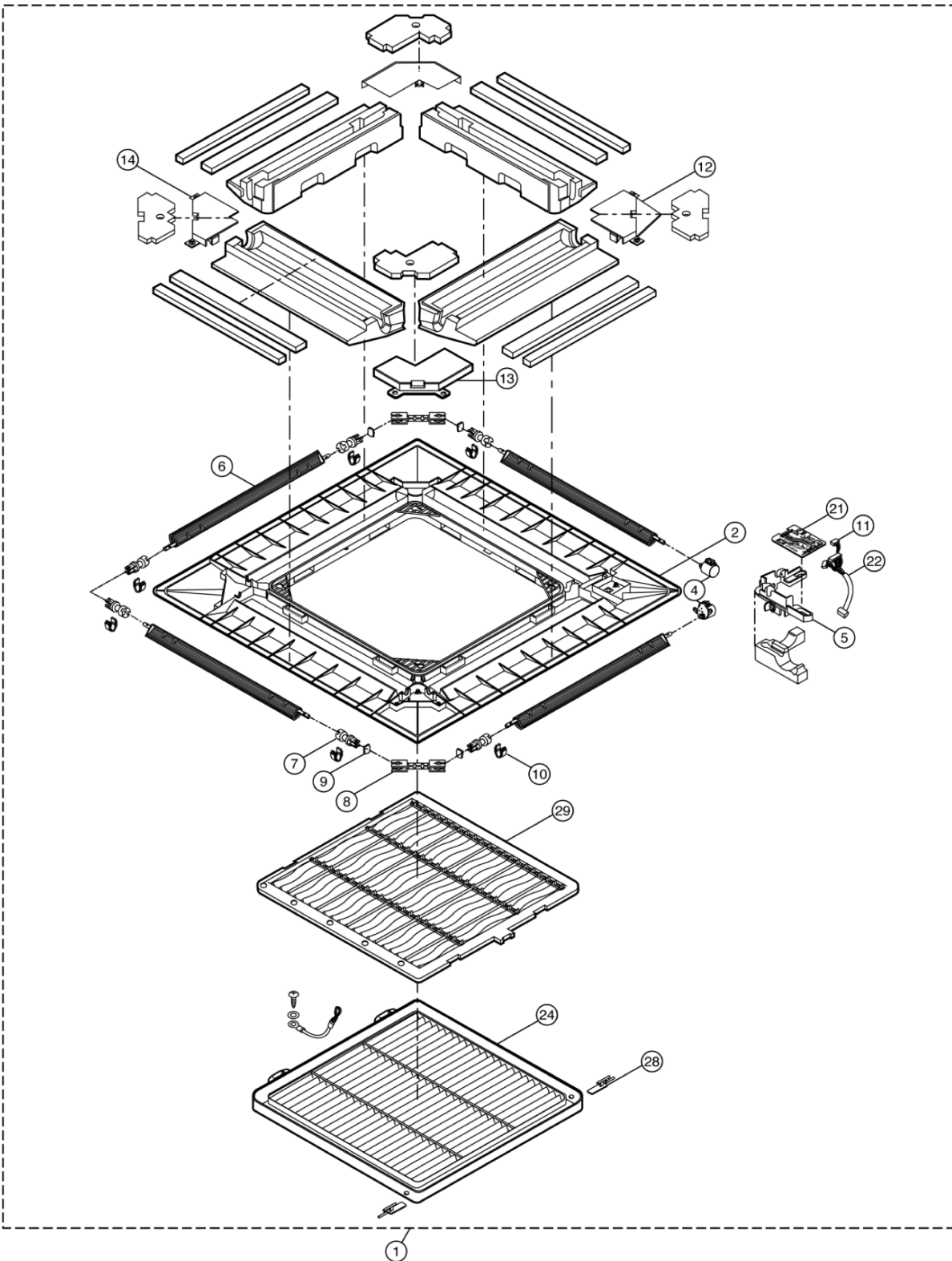


Note:

The above exploded view is for the purpose of parts disassembly and replacement.
 The non-numbered parts are not kept as standard service parts.

14.4.3. Exploded View (Indoor Unit Front Grille)

CZ-BT12DE (Front Grille Complete)



Note:

The above exploded view is for the purpose of parts disassembly and replacement.
The non-numbered parts are not kept as standard service parts.

14.5. Outdoor Unit

