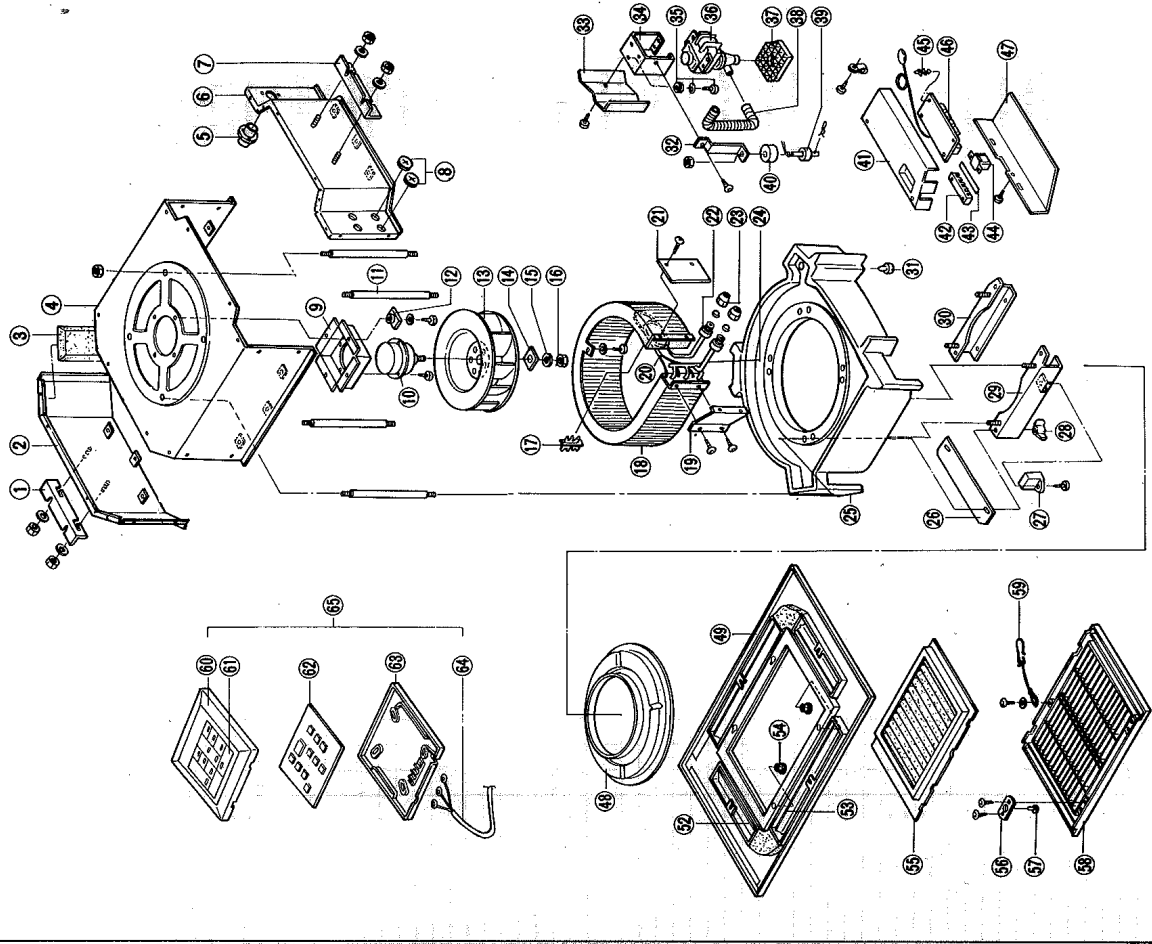


INDOOR UNIT (CS-1.5TUHV4SA-P-C, 2TUHV4S-P-C, 2.5TUHV4-P-C, 3TUHV4-P-C)



8. TROUBLE SHOOTING

TROUBLESHOOTING GUIDE

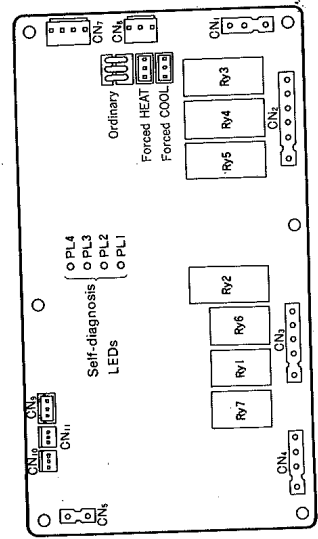
The location of the malfunction differs as indicated by the LEDs (for indication) in the remote-control unit and as indicated by the LEDs (for self-diagnosis) in the relay printed-circuit board.

After using the table below to resolve the cause(s) of the malfunction, try operation again.
(The indoor relay printed-circuit board is located inside the printed-circuit board case at the rear of the air inlet.)

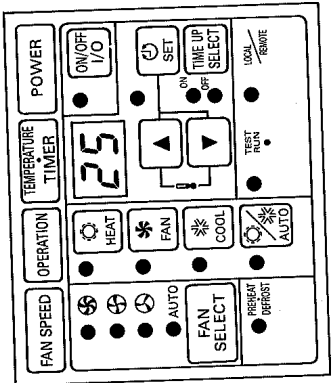
Remote controller	P. C. B. Self-diagnosis LED				Location of malfunction	Check locations
	Temperature display	LED	PL ₁	PL ₂		
E 0	Flashing	☆	☆	☆	Transmission error	Remote-control cord and connector
E 2	☆	☆	○	Steady illumination	Malfunction of drain water float switch (FS).	Drain pump, wiring and drain piping slope.
E 3	☆	☆	○		Malfunction of thermistor (Th1) for room temperature.	Thermistor (Th1) lead wiring.
E 4	☆	☆	○		Malfunction of thermistor (Th2) for indoor heatexchange unit.	Thermistor (Th2) lead wiring.
OFF	OFF	☆	☆	Repeating alternating	Malfunction of the remote-controller cord circuit.	Remote-controller cord and connector.
OFF	OFF	☆	☆	☆		

How to after a malfunction
After making the necessary, etc. based upon the indications of the self-diagnosis LEDs as described above, press the operation switch.
The flashing and/or steady illumination of LEDs will then be switched OFF.

Indoor unit relay printed-circuit board



Remote-controller



REPLACEMENT PARTS

INDOOR UNIT (CS-1.5TUHV4SA · P · C, 2TUHV4S · P · C)
(CS-2.5TUHV4 · P · C, 3TUHV4 · P · C)

REF. NO.	PARTS NAME	PARTS NUMBER CNR	QUANTITY PER 1 UNIT			PARTS NUMBER CNR	PARTS NAME	PARTS NUMBER CNR	QUANTITY PER 1 UNIT		
			1.5HP	2HP	2.5HP				3HP	1.5HP	2HP
36	Drain pump	06-814510	1	1	1	06-814510		1	1	1	*
37	Drain filter	02-498620	1	1	1	02-498620		1	1	1	
38	Drain tube	02-498650	1	1	1	02-498650		1	1	1	
39	Float switch As	46-813930	1	1	1	46-813930		1	1	1	*
40	Float switch cover	06-813380	1	1	1	06-813380		1	1	1	
41	Control box	06-816380	1	1	1	06-816380		1	1	1	
42	Terminal board (10P)	06-444320	1	1	1	06-444320		1	1	1	
43	Terminal number	07-466330	1	1	1	07-466330		1	1	1	
44	Transformer	220, 230V 06-820810	1	1	1	06-820810	220, 230V	1	1	1	*
45	Locking support	240V 06-498230	1	1	1	06-498230	240V	1	1	1	*
46	Printed circuit board	08-827970	5	5	5	08-827970		5	5	5	
47	Control box cover	06-817280	1	1	1	06-817280		1	1	1	*
48	Orifice ring	06-801710	1	1	1	06-801710		1	1	1	
49	Outlet grille As	05-800570	1	1	1	05-800570	National	1	1	1	
52	Wing As (short)	43-512260	1	1	1	43-512260	Panasonic	1	1	1	
53	Wing As (Long)	43-512310	1	1	1	43-512310	C	1	1	1	
54	Latch	43-510940	2	2	2	43-510940		2	2	2	
55	Air filter	03-408920	2	2	2	03-408920		2	2	2	
56	Sheet	03-412160	1	1	1	03-412160		1	1	1	*
57	Pin	03-406440	2	2	2	03-406440		2	2	2	
58	Inlet grille	03-412090	2	2	2	03-412090		2	2	2	
59	Wire	47-512890	1	1	1	47-512890		1	1	1	
60	Cover	06-816720	1	1	1	06-816720	National	1	1	1	
61	Escutcheon	07-825150	1	1	1	07-825150	Panasonic	1	1	1	
62	Printed circuit board	07-825160	1	1	1	07-825160	C	1	1	1	
63	Base	06-817800	1	1	1	06-817800		1	1	1	*
65	Remote controller	46-828550	1	1	1	46-828550	National	1	1	1	*
		46-828780	1	1	1	46-828780	Panasonic	1	1	1	*
		46-828790	1	1	1	46-828790	C	1	1	1	*

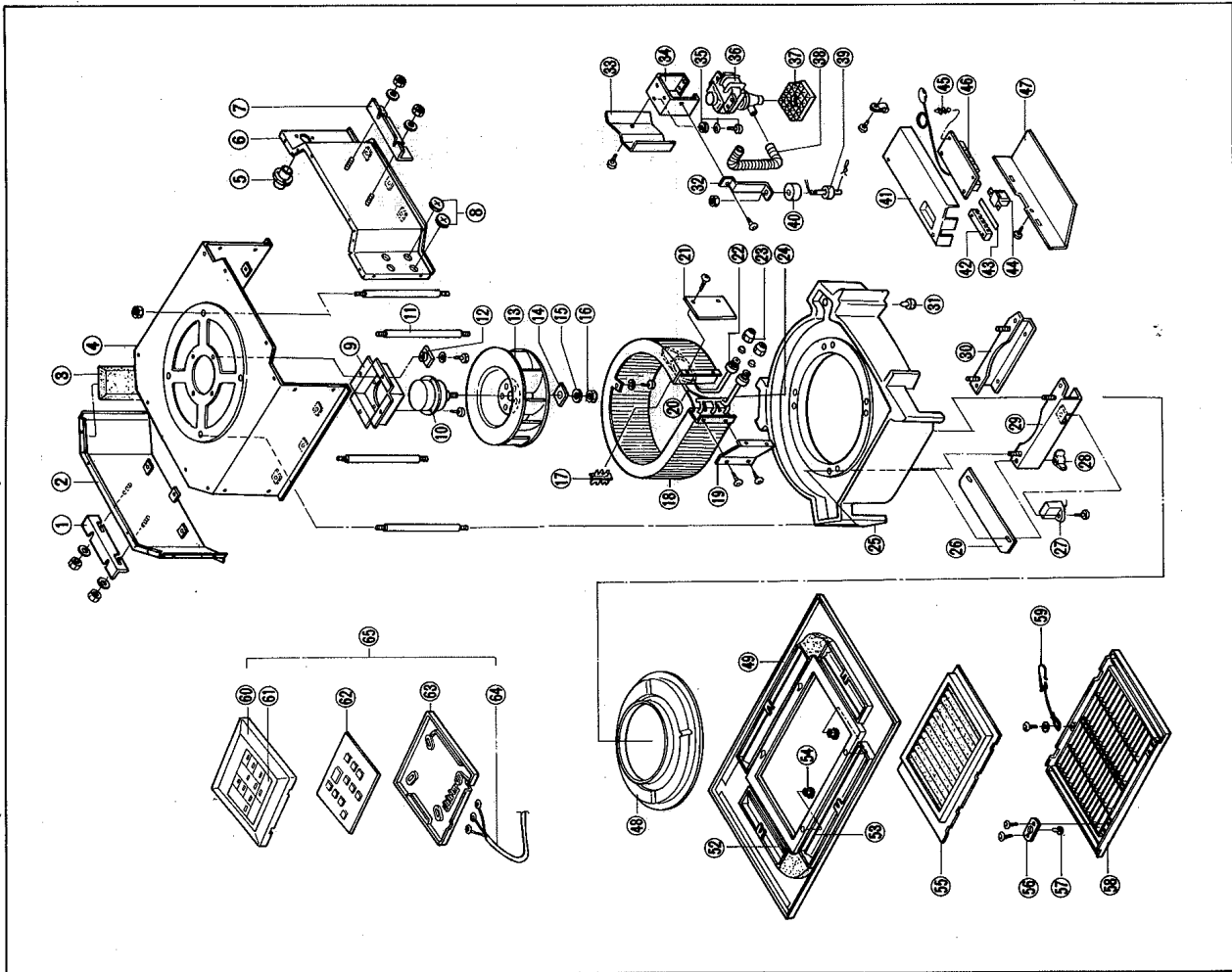
32

REPLACEMENT PARTS

INDOOR UNIT (CS-1.5TUHV4SA · P · C, 2TUHV4S · P · C)
(CS-2.5TUHV4 · P · C, 3TUHV4 · P · C)

REF. NO.	PARTS NAME	PARTS NUMBER CNR	QUANTITY PER 1 UNIT			PARTS NUMBER CNR	PARTS NAME	PARTS NUMBER CNR	QUANTITY PER 1 UNIT		
			1.5HP	2HP	2.5HP				3HP	1.5HP	2HP
1	Hanger bracket (R)	02-812080	1	1	1	02-812080		1	1	1	
2	Cabinet side (R)	42-541800	1	1	1	42-541800		1	1	1	
3	Duct cover	05-800790	1	1	1	05-800790		1	1	1	
4	Cabinet As	42-541780	1	1	1	42-541780		1	1	1	
5	Drain read pipe	02-498640	1	1	1	02-498640		1	1	1	
6	Cabinet side (L)	42-541790	1	1	1	42-541790		1	1	1	
7	Hanger bracket (L)	02-812070	1	1	1	02-812070		1	1	1	
8	Rubber bush (29)	39-251070	1	1	1	39-251070		1	1	1	
9	Rubber bush (45)	39-251080	1	1	1	39-251080		1	1	1	*
10	Fan motor base	06-820150	1	1	1	06-820150		1	1	1	*
11	Fan motor (AC 20W)	06-827960	1	1	1	06-827960		1	1	1	
12	Fan motor (AC 35W)	05-801000	4	4	4	05-801000		4	4	4	
13	Bolt	05-860510	4	4	4	05-860510		4	4	4	
14	Mount	06-817950	1	1	1	06-817950		1	1	1	
15	Fan	05-800440	1	1	1	05-800440		1	1	1	
16	Washer	05-800430	1	1	1	05-800430		1	1	1	
17	Spring washer	38-427080	1	1	1	38-427080		1	1	1	
18	Nut	05-801701	2	2	2	05-801701		2	2	2	
19	Capillary holder	05-801730	1	1	1	05-801730		1	1	1	
20	Evaporator	05-800950	1	1	1	05-800950		1	1	1	
21	Eva. panel (L)	05-800980	1	1	1	05-800980		1	1	1	
22	Distributor As	05-801810	3	3	3	05-801810		3	3	3	
23	Capillary tube	05-982990	1	1	1	05-982990		1	1	1	
24	Eva. panel (R)	05-974740	1	1	1	05-974740		1	1	1	
25	Union	05-399710	1	1	1	05-399710	1/4	1	1	1	
26	Flare nut	05-362170	1	1	1	05-362170	3/8	1	1	1	
27	Coil sensor	05-399720	1	1	1	05-399720	1/2	1	1	1	
28	sensor band	38-890070	1	1	1	38-890070	5/8	1	1	1	
29	Drain pan	38-890080	1	1	1	38-890080	1/4	1	1	1	
30	Drain pan stay	38-890090	1	1	1	38-890090	3/8	1	1	1	
31	Electric condenser for FM	06-817100	1	1	1	06-817100	1/2	1	1	1	
32	Nut	05-971170	1	1	1	05-971170	5/8	1	1	1	
33	Grille stay (L)	06-497090	1	1	1	06-497090	1.8MF	1	1	1	*
34	Grille stay (R)	06-805530	1	1	1	06-805530	2MF	1	1	1	*
35	Drain seal cap	06-496220	4	4	4	06-496220	2.5MF	4	4	4	*
36	Float switch plate	38-890590	1	1	1	38-890590		1	1	1	
37	Drain pump cover	42-542040	1	1	1	42-542040		1	1	1	
38	Drain pump holder	42-541660	1	1	1	42-541660		1	1	1	
39	Washer	42-541670	1	1	1	42-541670		1	1	1	
40	Tap screw	05-974480	1	1	1	05-974480		1	1	1	
41	Drain pump	06-816430	1	1	1	06-816430		1	1	1	
42	Drain pump controller	02-812670	1	1	1	02-812670		1	1	1	
43	Drain pump holder	06-816880	1	1	1	06-816880		1	1	1	
44	Washer	06-816890	3	3	3	06-816890		3	3	3	
45	Tap screw	06-847720	3	3	3	06-847720		3	3	3	
46	Drain pump	38-490120	3	3	3	38-490120		3	3	3	
47	Drain pump controller	38-193610	3	3	3	38-193610		3	3	3	

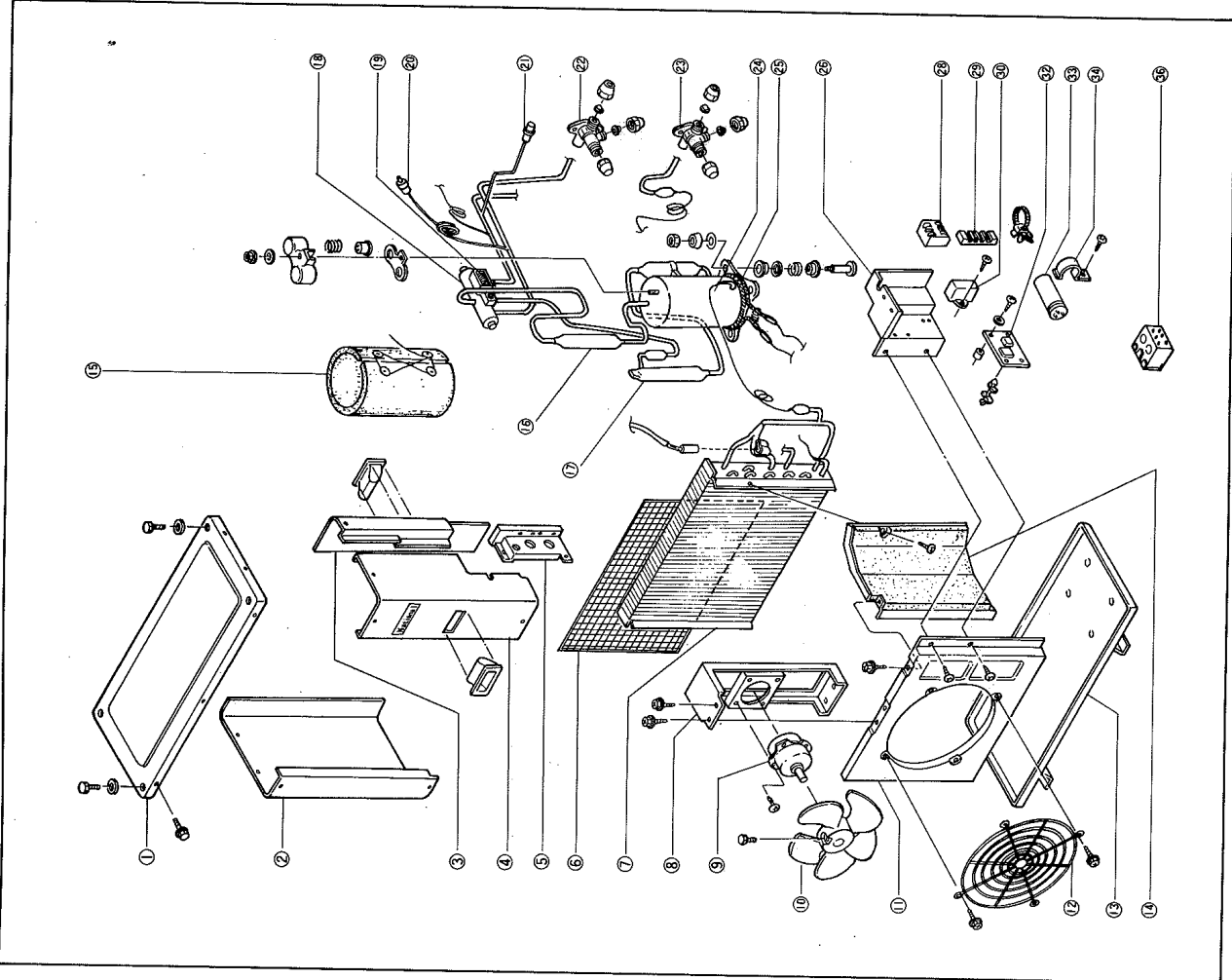
INDOOR UNIT (CS-4TUHV4·P·C, 5TUHV4·P·C)



REF. NO.	PARTS NAME	PARTS NUMBER CNR	QUANTITY PER 1 UNIT	
			4HP	6HP
1	Hanger bracket (R)	02-815490	1	1
2	Cabinet side (R)	42-542930	1	1
3	Duct cover	05-800790	1	1
4	Cabinet As	42-542850	1	1
5	Drain read pipe	02-498640	1	1
6	Cabinet side (L)	42-542950	1	1
7	Hanger bracket (L)	02-815480	1	1
8	Rubber bush (29)	39-251070	1	1
9	Rubber bush (45)	39-251090	1	1
10	Fan motor base	06-817660	1	1
11	Fan motor (AC 100W)	220, 380V 06-827750	1	1
12	Bolt	415V 05-800510	4	4
13	Mount	06-817950	4	4
14	Fan	05-803160	1	1
15	Washer	05-803700	1	1
16	Spring washer	38-427080	1	1
17	Nut	38-817010	1	1
18	Capillary holder	05-981550	1	1
19	Evaporator (A)	05-803020	4	4
20	Evaporator (B)	05-803030	1	1
21	Evaporator (A)	05-803040	1	1
22	Evaporator (B)	05-803050	1	1
23	Eva. panel (L)	05-802970	1	1
24	Distributor As	45-564730	1	1
25	Capillary tube	05-564740	1	1
26	Eva. panel (R)	05-803110	4	4
27	Union	05-801570	1	6
28	Flare nut	05-802960	1	1
29	Coil sensor	05-399710	1	1
30	sensor band	05-962170	1	1
31	Drain pan	1/2 3/4	1	1
32	Drain pan stay	05-960050	1	1
33	Electric condenser for FM	38-890080	1	1
34	Nut	38-890090	1	1
35	Grille stay (L)	38-890110	1	1
36	Grille stay (R)	06-817100	1	1
37	Drain seal cap	05-984730	1	1
38	Float switch plate	05-984770	1	1
39	Drain pump cover	02-544150	1	1
40	Drain pump holder	06-448790	1	1
41	Mount	06-448790	1	1
42	Washer	05-847720	1	1
43	5 Tap screw	05-847720	3	3
44	Drain pump	38-193610	3	3
45	Drain filter	06-814510	1	1
46	Drain tube	02-498620	1	1
47	Float switch As	02-498650	1	1
48	Float switch cover	46-813930	1	1
49	Control box	06-813380	1	1
50	Terminal board (10P)	06-816380	1	1
51	Terminal number	06-444320	1	1
52	Transformer	07-466330	1	1
53	Locking support	06-820810	1	1
54	Printed circuit board	06-820820	1	1
55	Control box cover	06-496230	5	5
56	Orifice ring	06-827790	1	1
57		06-816390	1	1
58		06-803180	1	1

OUTDOOR UNIT (CU-1.5CHV3S-P-C)

REF. NO.	PARTS NAME	PARTS NUMBER CNR	QUANTITY PER 1 UNIT	
			4HP	5HP
49	Outlet grille As	43-513270	1	1
		43-513320	1	1
		43-513370	1	1
52	Wing As (S)	43-511220	2	2
53	Wing As (L)	43-511200	2	2
54	Latch	03-408920	3	3
55	Air filter	03-412850	1	1
56	Sheet	03-406440	3	3
57	Pin	03-406430	3	3
58	Inlet grille	03-412800	1	1
59	Wire	47-512890	1	1
60	Cover	06-816720	1	1
		07-824860	1	1
61	Escutcheon	07-825150	1	1
		07-825160	1	1
62	Printed circuit board	06-827800	1	1
	Insulation sheet	06-817620	1	1
63	Base	06-816710	1	1
64	Cord	46-814320	1	1
		46-828550	1	1
		46-828780	1	1
65	Remote controller	46-828790	1	1

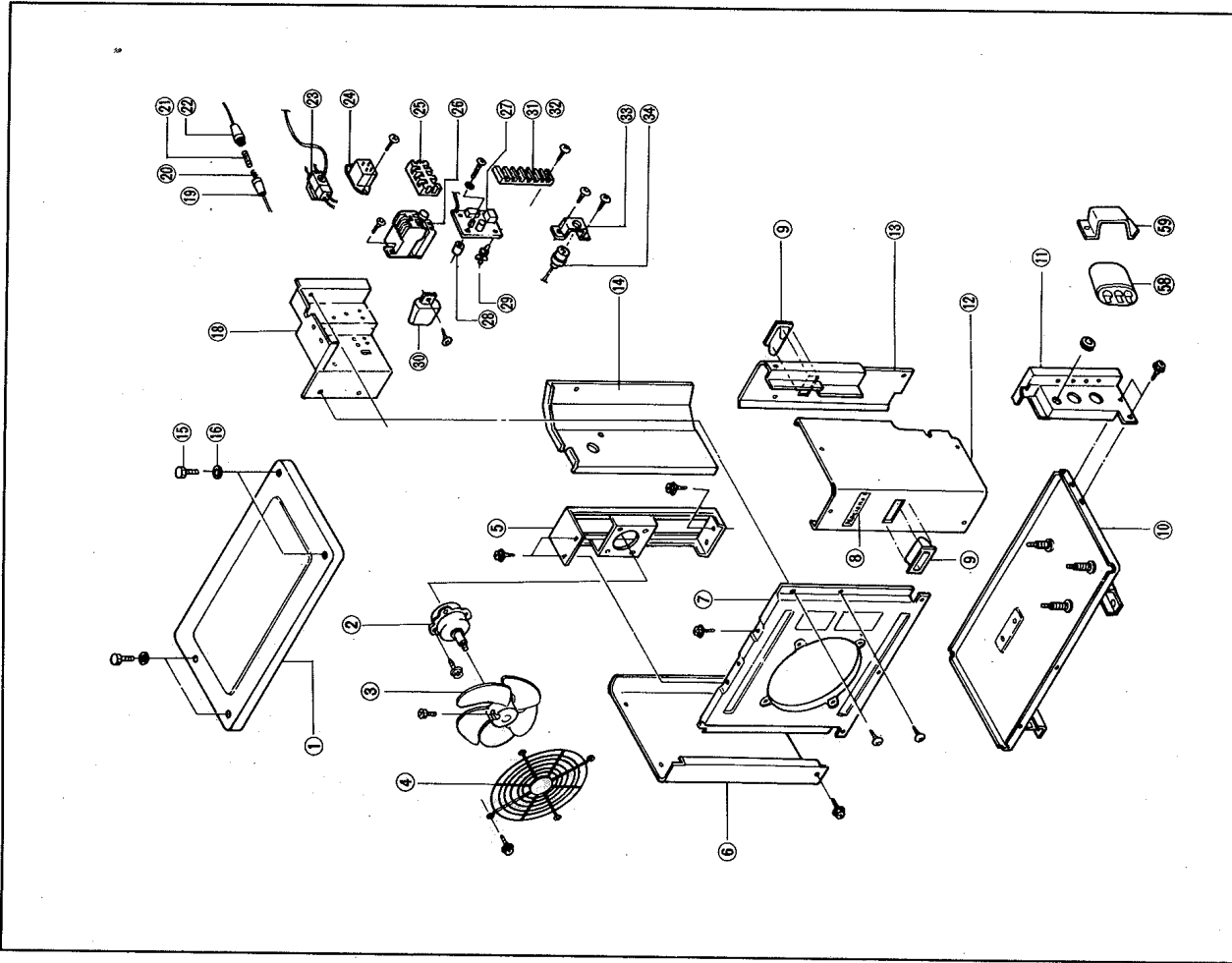


OUTDOOR UNIT (CU-1.5CHV3S-P-C)

Panasonic (220, 240V)

REF. NO.	PARTS NAME	PARTS NUMBER CNR	PARTS CODE	CU-1.5CHV3S
1	Shell top	42-532450	057 800 0424 3	1
2	Side panel (L)	02-486930	057 650 2130 0	1
3	Back panel (R)	42-532480	057 802 1284 3	1
4	Front panel (R)	42-532470	057 800 0426 1	1
5	Ball valve stay	05-801680		1
6	Condenser guard	05-957820	057 802 1286 1	1
7	Condenser	05-804670		1
8	Motor stay	42-532490	057 650 2191 7	1
9	Motor motor (AC30W)	06-494740		1
10	Propeller fan	45-548020	057 650 2080 3	1
11	Front panel	02-487020	057 800 0425 2	1
12	Fan guard	42-529710	057 802 1280 7	1
13	Unit base	42-534690	057 802 1313 5	1
14	Seal plate	42-532500	057 802 1371 5	1
15	Compressor cover	05-964690	057 655 0001 1	1
16	Muffler	05-394400	007 660 0055 8	1
17	Accumulator	05-964740	007 681 0176 3	1
18	Reversing valve	06-817750	057 650 0615 2	1
19	Reversing valve coil	06-498600	003 461 0389 3	1
20	Pressure switch (63H)	05-391120	007 593 0501 4	1
21	Check joint	05-467920	007 579 0135 8	1
22	Service valve (1/2)	05-975010	007 579 1337 5	1
23	Ball valve (1/2)	05-881540		1
24	Compressor	46-809950		1
25	Crank-case heater	06-447580		1
26	Control box	06-456360	003 411 0002 5	1
28	Terminal board (2p)	06-812750	003 410 3898 0	1
29	Terminal board (5p)	06-494710		1
30	Electric condenser for FM	06-813500		1
		06-813510		1
32	Deicer	06-498320		1
33	Electric capacitor for CM	06-238160		1
34	Capacitor band	06-812740		1
36	Compressor relay	06-812910		1
	Bimetal thermostat	05-959810		2
	Capillary tube (Heating)	05-964850		1
	Capillary tube (Cooling)	05-953450		1
	Check valve (1/2)	06-460290		2
	Fuse (5A)			

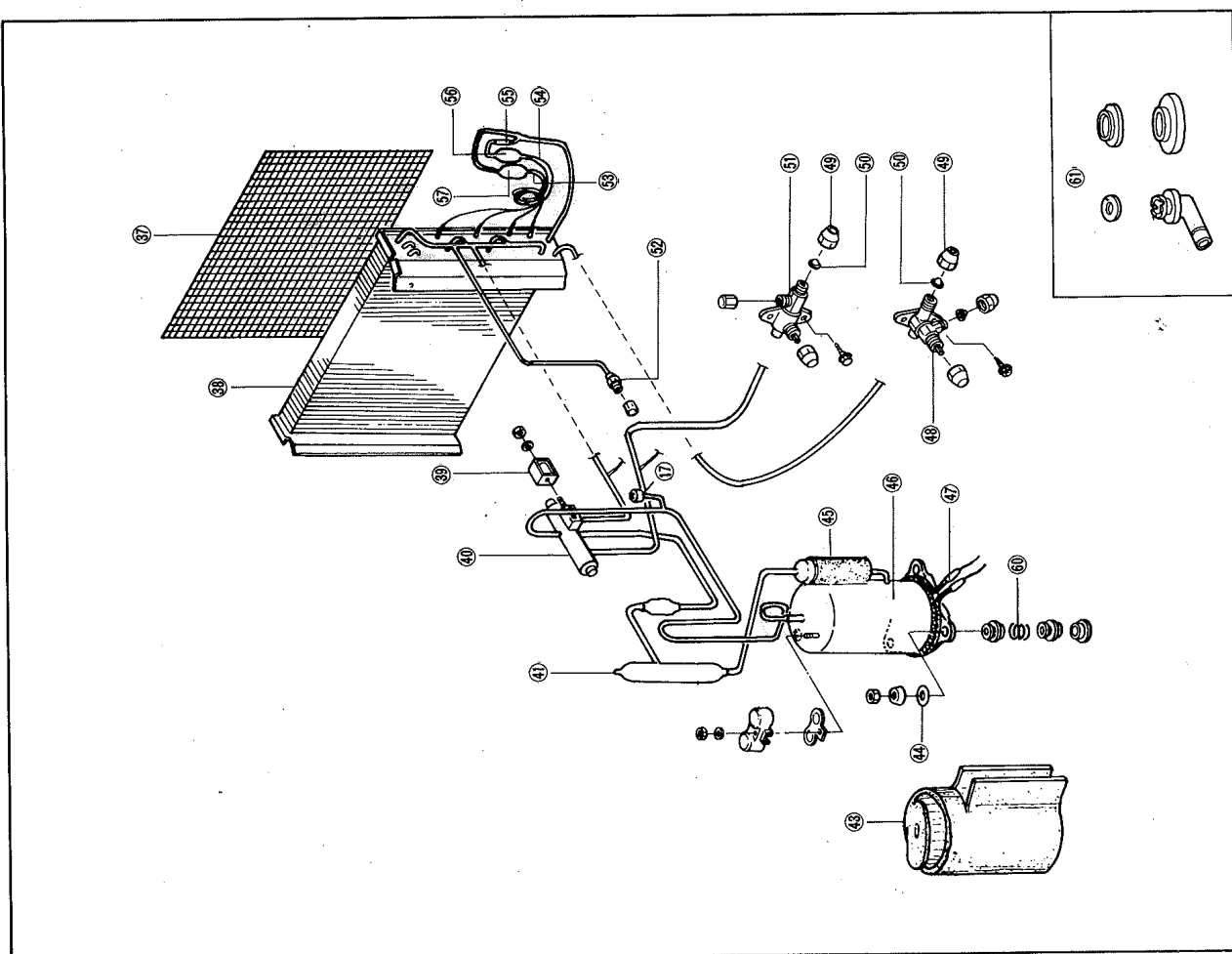
OUTDOOR UNIT (CU-2CHV3S-P-C)



OUTDOOR UNIT (CU-2CHV3S-P-C)

Panasonic (220V,240V)

REF. NO.	PARTS NAME	PARTS NUMBER CNR	PARTS CODE	CU-2CHV3S
1	Shell top	42-532450	057 800 0424 3	1
2	Fan motor (AC30W)	06-494740		1
3	Propeller fan	06-494750		1
4	Fan guard	45-549020		1
5	Motor stay	42-529710	007 570 1678 3	1
6	Side panel (Left)	42-532490	057 802 1280 7	1
7	Front panel	02-486930	057 650 2191 7	1
9	Shell hanger	02-487020	057 800 2130 0	1
10	Unit base	04-400170	057 800 0425 2	2
11	Ball valve stay	42-532390	057 650 1180 4	2
12	Ball valve stay	06-953380	057 802 1281 6	1
13	Back panel (Right)	057 630 0054 5		1
14	Back panel (Right)	42-532470	057 800 0426 1	1
15	Seal plate	42-532460	057 802 1284 3	1
16	Bolt	42-537790	057 802 1371 5	1
17	Washer	38-980410	005 506 0731 7	4
18	Pressure switch (63Hz)	38-418010	005 513 2821 7	4
19	Control box	06-492460	003 461 0338 4	4
20	Fuse holder (Bottom)	46-809910		1
21	Fuse holder (Spring)	06-478400	003 400 4225 7	2
22	Fuse (5A)	06-478390	057 726 0002 6	2
24	Fuse holder (Top)	06-460290	002 380 0919 7	2
25	Terminal board (TM)	06-478380	003 400 4224 8	2
26	Compressor relay	06-447580	003 411 0002 5	1
27	Deicer	06-805840		1
28	Collar	06-805850		1
29	Supporter	06-813500		1
30	Electric condenser for FM	06-813510	057 652 1231 0	2
31	Terminal board (5P)	06-493030	057 650 1541 9	2
33	Stay	06-449950		1
34	Pressure switch	06-494700		1
37	Condenser guard	06-456360		1
38	Condenser	06-486700	003 410 3898 0	1
39	Reversing valve coil	06-486690	057 850 2867 2	1
40	Reversing valve	05-927820	057 802 1286 1	1
41	Accumulator	05-957830	006 543 0433 7	1
43	Compressor cover	06-465300		1
44	Ring sheet	05-401290	057 650 0615 2	1
45	Insulation	45-557610	007 565 6166 3	1
46	Compressor	05-957620	057 650 2132 8	1
47	Crank-case heater	08-403980	057 650 1709 3	3
48	Service valve	02-487000	057 938 0013 3	1
49	Flare nut	05-973570		1
50	Bonnet	06-815710		1
51	Ball valve	06-467920	007 579 0135 8	1
52	Check joint	38-890070	007 593 0507 8	1
53	Capillary tube (Heating)	38-890090	007 593 0509 6	1
54	Capillary tube (Cooling)	05-464010	057 650 1342 4	1
55	Check valve (1/2)	05-961750	057 650 2163 1	1
56	Distributor As (Cooling)	05-391120	007 579 1337 6	1
57	Distributor As (Heating)	05-957860	007 593 0501 4	1
58	Distributor As (Heating)	05-976360	007 565 5459 7	4
59	Band	05-478500	007 565 6142 1	4
60	Spring	45-951140	007 579 0142 9	1
61	Drain elbow	45-558660	007 580 0241 6	1
		06-812950	007 580 0300 2	1
		06-812930		1
		05-957580	057 726 0058 4	3
		47-511120	007 566 0865 4	1



OUTDOOR UNIT (CU-2.5CHV3-P-C, 3CHV11-P-C, 4CHV11-P-C, 5CHV11-P-C)

