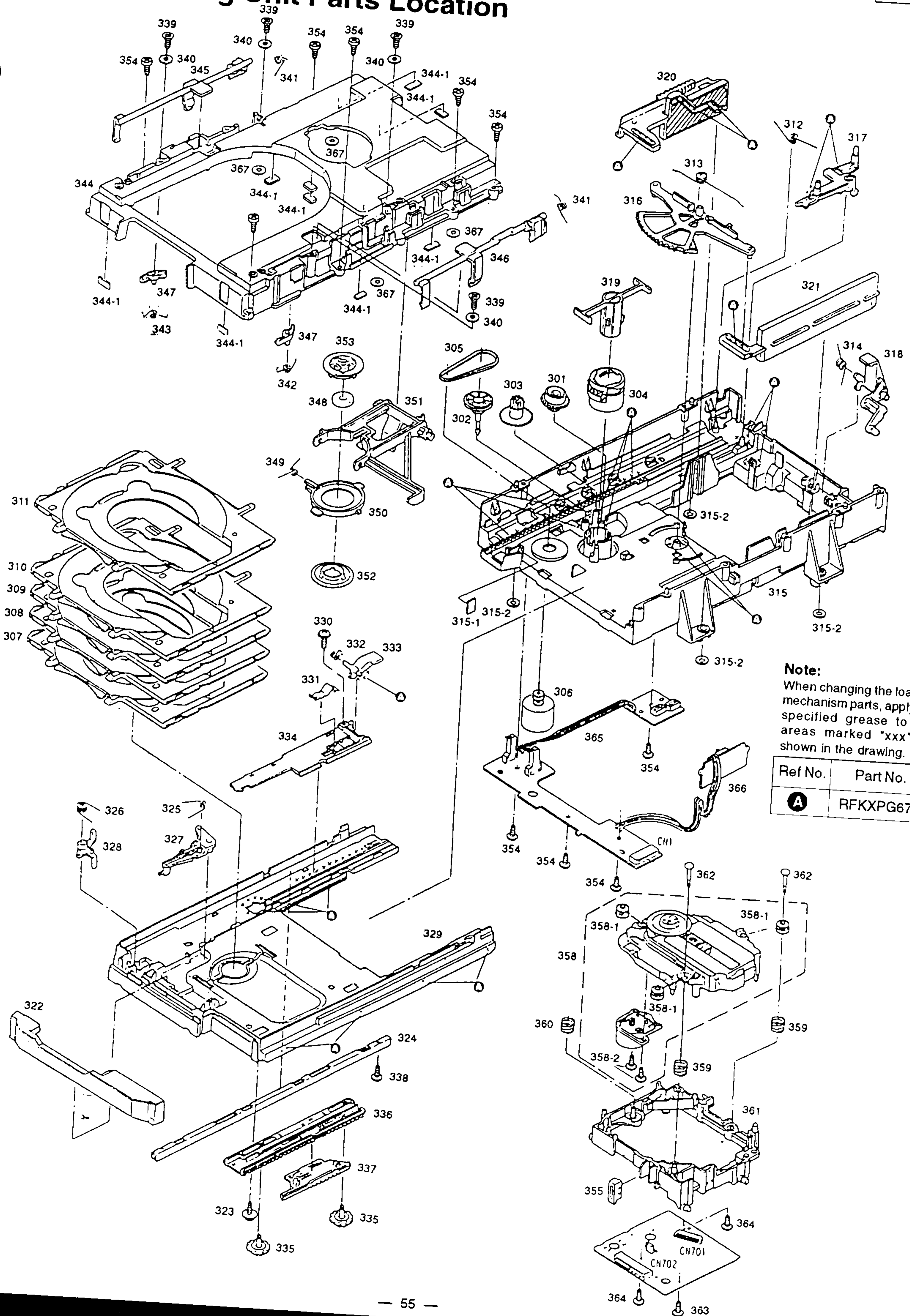


CD Loading Unit Parts Location



Note:
When changing the loading mechanism parts, apply the specified grease to the areas marked "xxx" shown in the drawing.

Ref No.	Part No.
A	RFKXPG671