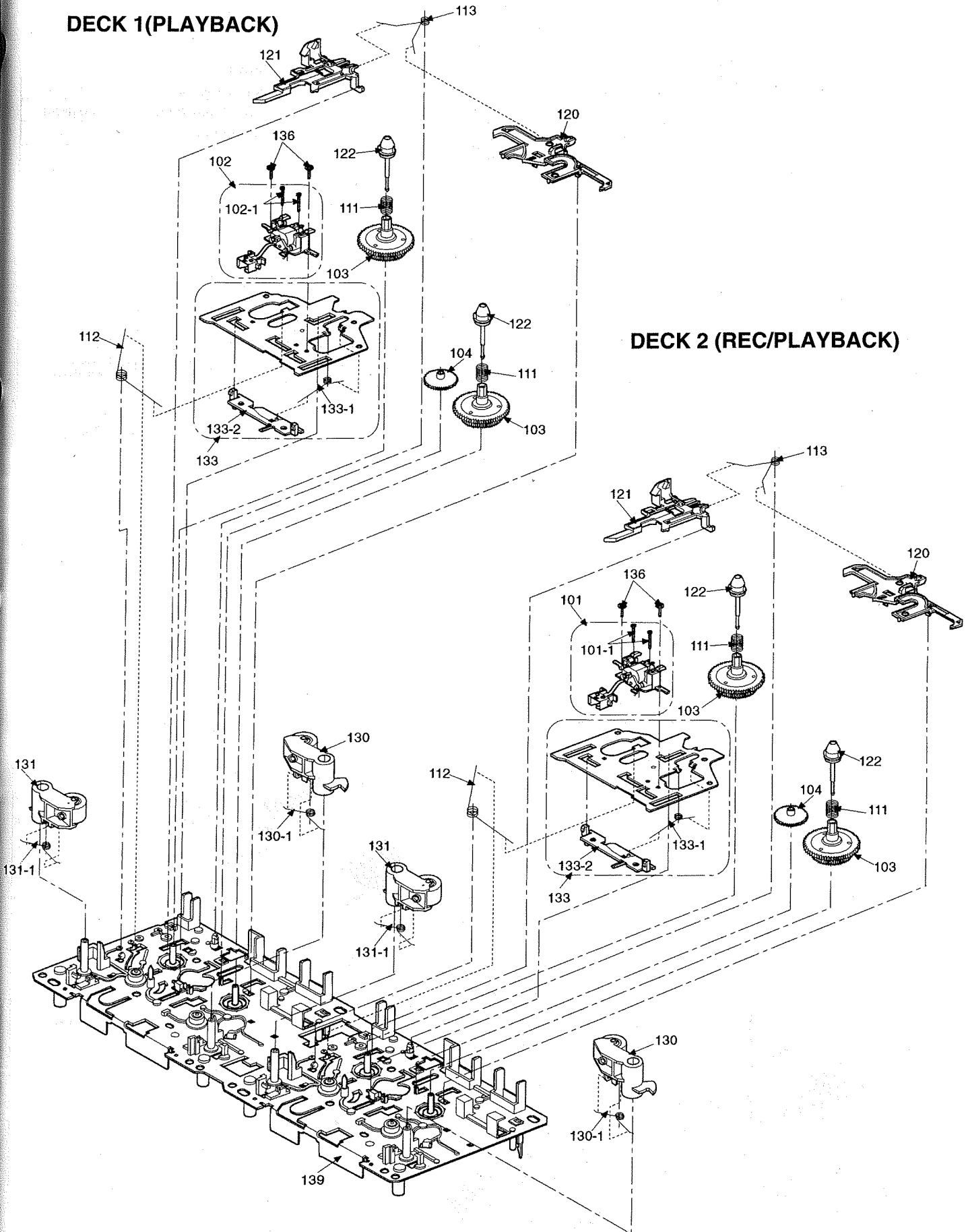
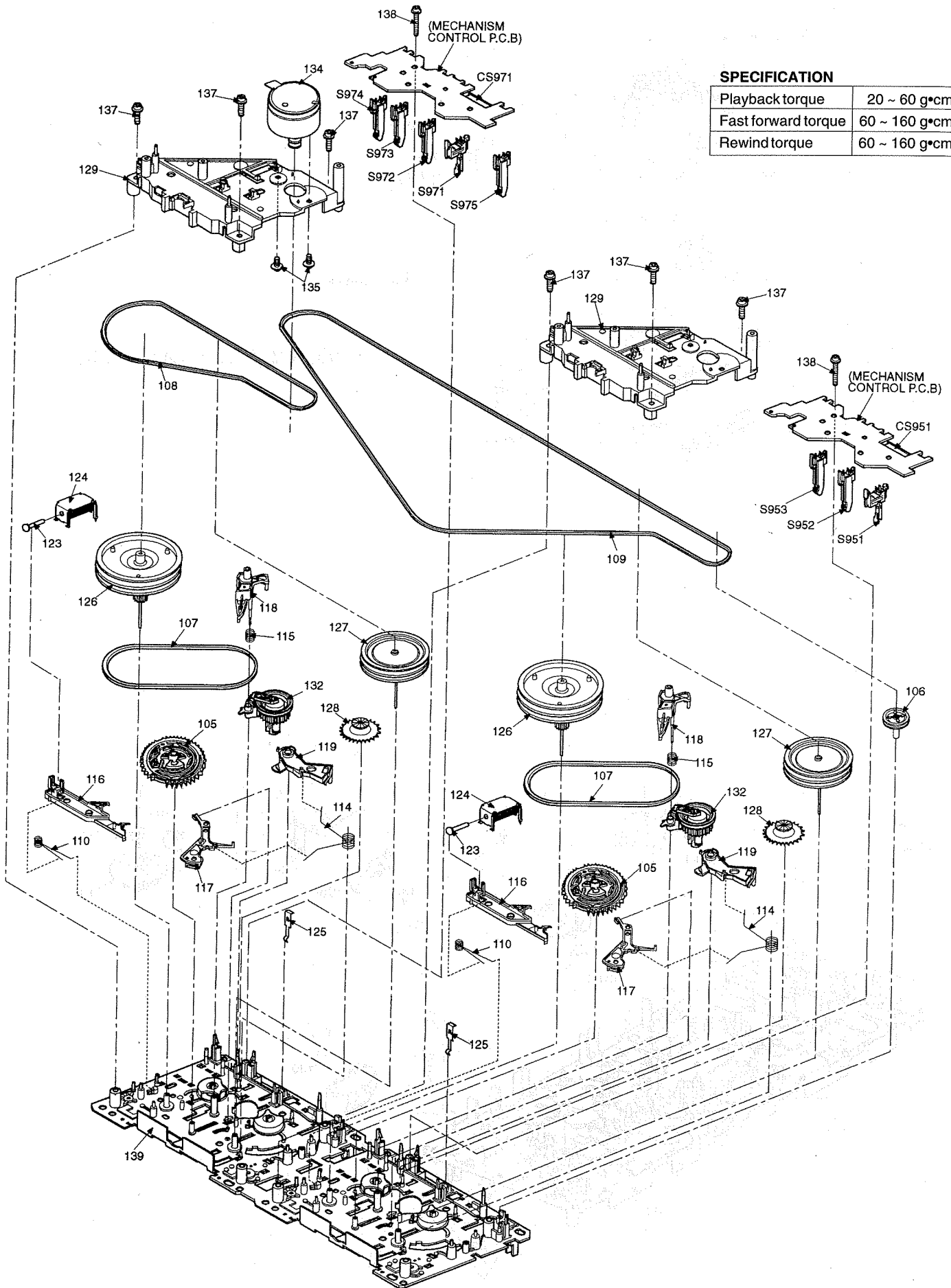


# ■ Mechanism Parts Location (RAA3406)

## DECK 1 (PLAYBACK)





**SPECIFICATION**

Playback torque	20 ~ 60 g·cm
Fast forward torque	60 ~ 160 g·cm
Rewind torque	60 ~ 160 g·cm

## Mechanism Parts List

Notes : [M] in Remarks column indicates parts supplied by MESA.

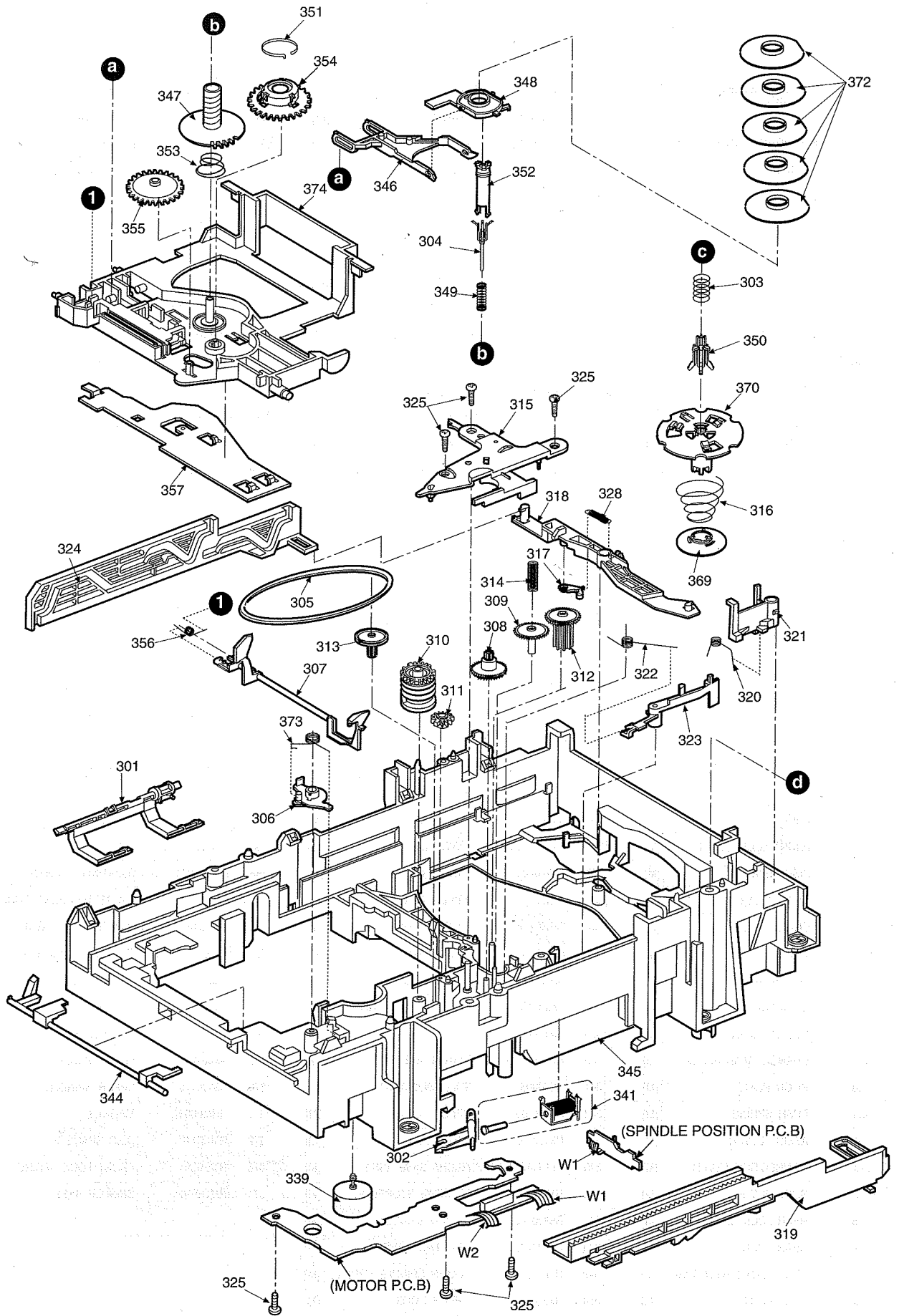
Ref No.	Part No.	Part Name & Description	Remarks	Ref No.	Part No.	Part Name & Description	Remarks	Ref No.	Part No.	Part Name & Description	Remarks
		<b>CASSETTE DECK</b>		113	RMB0404	SPRING	[M]	129	RMK0283	PLATE	[M]
				114	RMB0406	SPRING	[M]	130	RXL0124	PINCH ROLLER ASS'Y	[M]
101	RED0037	R/P HEAD BLOCK ASS'Y	[M]	115	RMB0408	SPRING	[M]	130-1	RMB0401	SPRING	[M]
101-1	RHE5152ZB	SCREW	[M]	116	RML0370	LEVER	[M]	131	RXL0125	PINCH ROLLER ASS'Y	[M]
102	RED0038	P/B HEAD BLOCK ASS'Y	[M]	117	RML0371	LEVER	[M]	131-1	RMB0402	SPRING	[M]
102-1	RHE5152ZB	SCREW	[M]	118	RML0372	ARM	[M]	132	RXL0126	GEAR	[M]
103	RDG0300	REEL TABLE BASE	[M]	119	RML0374	LEVER	[M]	133	RXQ0412	ROD	[M]
104	RDG0301	GEAR	[M]	120	RMM0131	LEVER	[M]	133-1	RMB0405	SPRING	[M]
105	RDK0026	GEAR	[M]	121	RMM0133	LEVER	[M]	133-2	RMM0132	ROD	[M]
106	RDR0029	RELAY PULLY	[M]	122	RMQ0519	REEL TABLE HEAD	[M]	134	REM0070	MOTOR ASS'Y	[M]
107	RDV0033-1	BELT	[M]	123	RMS0398-1	SHAFT	[M]	135	RHD26022	SCREW	[M]
108	RDV0034	BELT	[M]	124	RSJ0003	PLUNGER	[M]	136	XTW2+5L	SCREW	[M]
109	RDV0057	BELT	[M]	125	RUS609ZC	SPRING	[M]	137	XTW26+10S	SCREW	[M]
110	RMB0312	SPRING	[M]	126	RXF0049	FLYWHEEL ASS'Y	[M]	138	XYC2+JF17	SCREW	[M]
111	RMB0400	REEL TABLE SPRING	[M]	127	RXF0050	FLYWHEEL ASS'Y	[M]	139	RFKJXED70-K	CHASSIS ASS'Y	[M]
112	RMB0403	SPRING	[M]	128	RXG0040	GEAR	[M]				

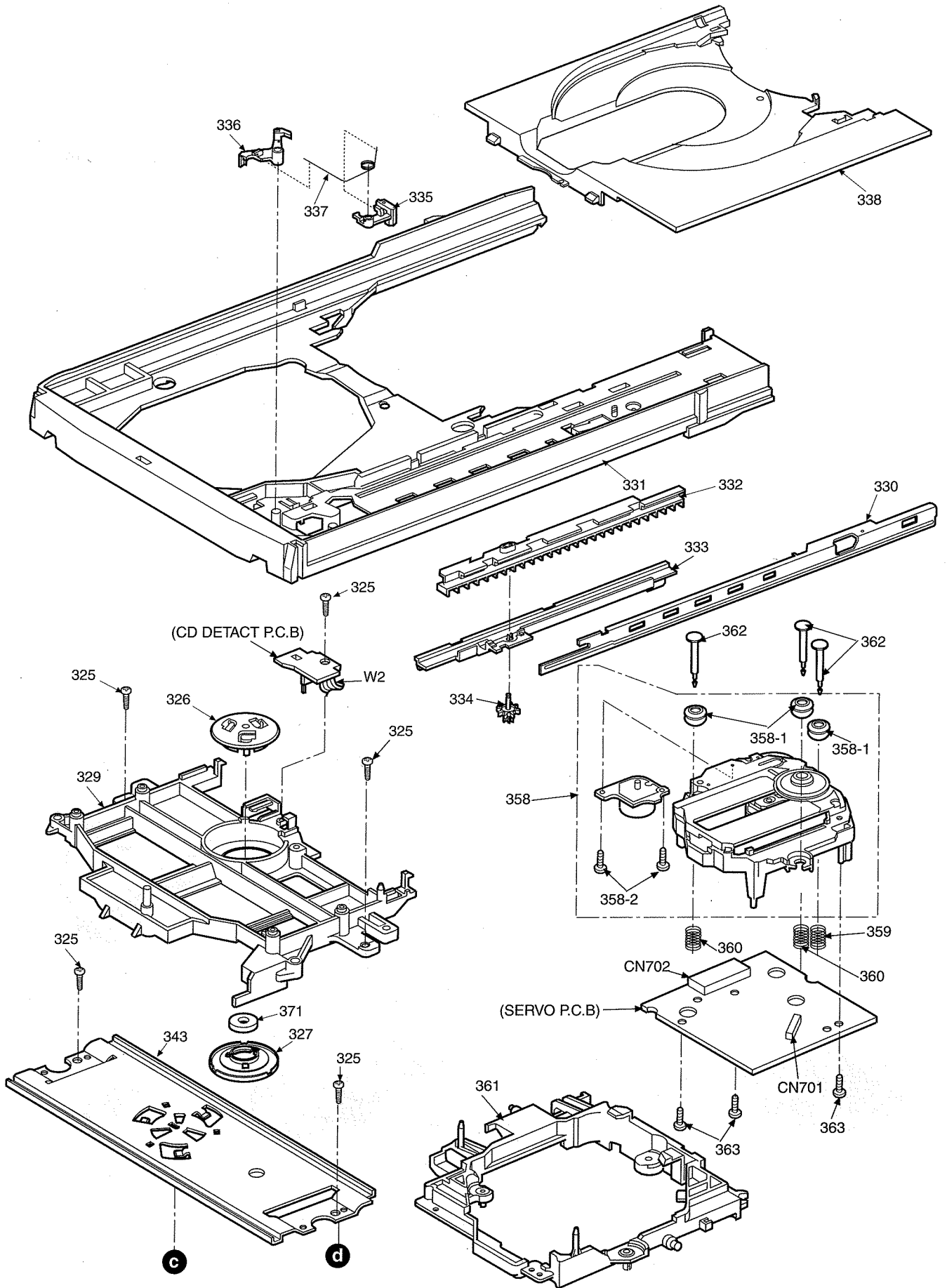
## Loading Mechanism Parts List

Notes : [M] in Remarks column indicates parts supplied by MESA.

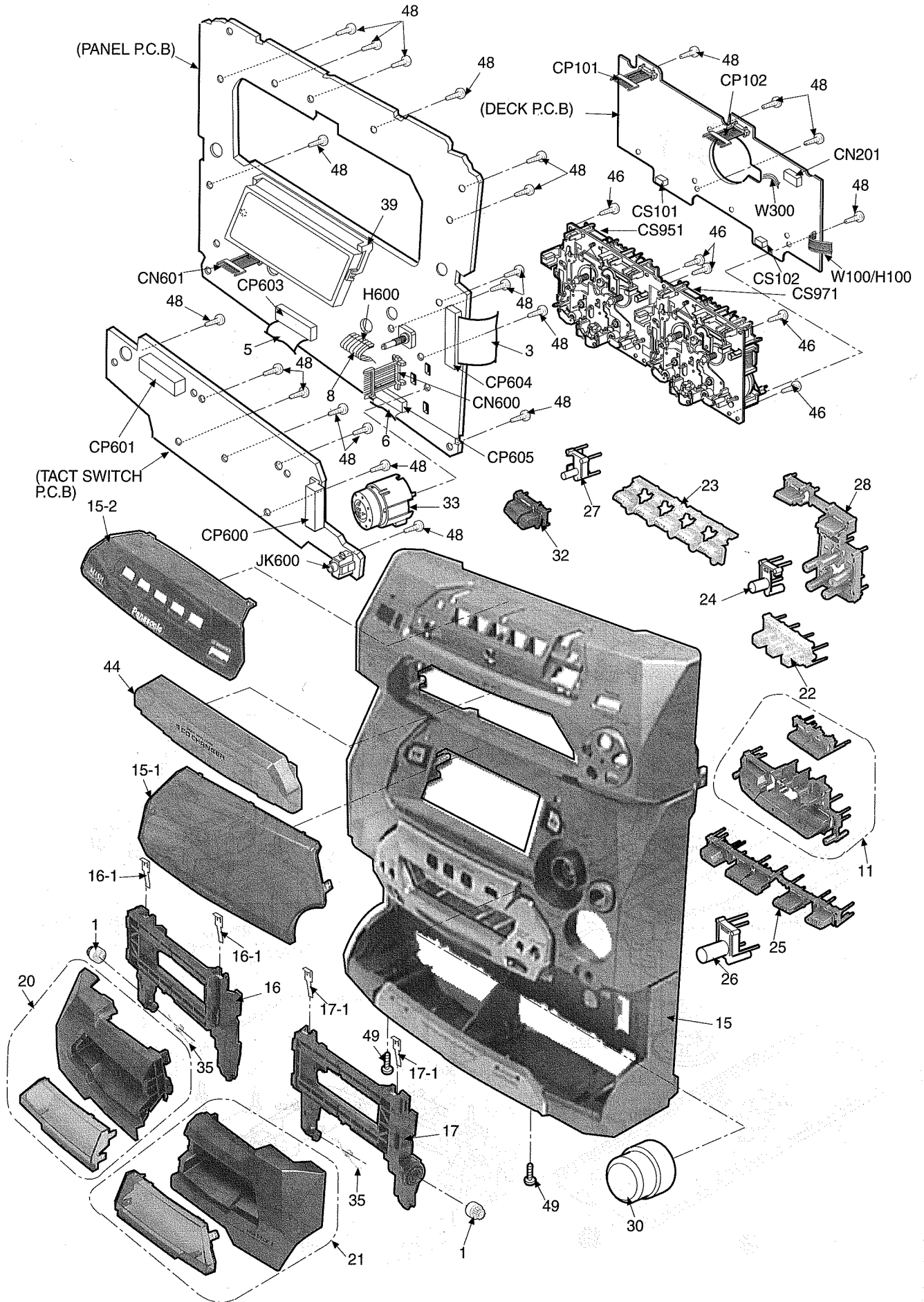
Ref No.	Part No.	Part Name & Description	Remarks	Ref No.	Part No.	Part Name & Description	Remarks	Ref No.	Part No.	Part Name & Description	Remarks
		<b>TRAVERSE DECK</b>		324	RMM0202	SLIDE PLATE 2	[M]	351	RME0263	CLICK SPRING	[M]
				325	XTB3+10J	SCREW	[M]	352	RMQ0743	SPINDLE SHAFT	[M]
301	RML0517	TIMING LEVER	[M]	326	RMR0334	FIXED PLATE	[M]	353	RMB0552	CUSHION SPRING	[M]
302	RML0516	PLUNGER LEVER	[M]	327	RMR0624-W2	CLAMPER	[M]	354	RDG0430	RELAY GEAR 'A'	[M]
303	RMB0551	UPPER SPINDLE SPRING	[M]	328	RMB0561	ASSIST LEVER SPRING	[M]	355	RDG0431	RELAY GEAR 'B'	[M]
304	RMQ0744	LOWER HOOK	[M]	329	RMR1121-K	MECHA COVER	[M]	356	RME0262	DISK LEVER SP.	[M]
305	RDV0056	BELT	[M]	330	RMA1110-2	TRAY ANGLE	[M]	357	RMA1105	SUPPORT PLATE	[M]
306	RML0525	FRONT LOCK LEVER	[M]	331	RMR1122-H1	TRAY BASE	[M]	358	RAE0152Z-M	TRV	[M]
307	RML0526	DISC LEVER	[M]	332	RMM0204	CARRIER	[M]	358-1	SHGD113-1	FLOATING CUSHION	[M]
308	RDG0424	DRIVE GEAR	[M]	333	RMM0203	DRIVE RACK	[M]	358-2	SNSD38	TRV MOTOR ASS'Y SCRE	[M]
309	RDG0425	CHANGE GEAR	[M]	334	RDG0432	SPEED UP GEAR	[M]	359	RME0142	FLOATING SPRING A	[M]
310	RDG0427	TRV CAM GEAR	[M]	335	RML0524	SLIDE LOCK	[M]	360	RME0109	FLOATING SPRING B	[M]
311	RDG0428	TRV RELAY GEAR	[M]	336	RML0523	CARRIER LOCK	[M]	361	RMR1124-K1	TRV CHASSIS	[M]
312	RDG0426	UP/DOWN GEAR	[M]	337	RME0260-1	SLIDE LOCK SPRING	[M]	362	RMS0632	TRV PIN	[M]
313	RDG0429	PULLEY GEAR	[M]	338	RMR1123-H	TRAY	[M]	363	XTN2+6G	PCB SCREW	[M]
314	RMB0549	CHANGE GEAR SPRING	[M]	339	RXQ0595	MOTOR SUB A"Y	[M]	369	RMX0141	PUSH SPACER	[M]
315	RMQ0748	PITCH PLATE	[M]	341	RSJ0003	SOLENOID ASS'Y	[M]	370	RMQ0749	UPPER SPINDLE	[M]
316	RMB0553	PUSH SPRING	[M]	343	RMA1106	UPPER PLATE	[M]	371	RHM0001	MAGNET	[M]
317	RML0530	ASSIST LEVER	[M]	344	RML0519	8CD LEVER	[M]	372	RMX0140	DISC SPACER	[M]
318	RML0518	CONNECTION LEVER	[M]	345	RFKNAAK27GCS	MECHA BASE ASS'Y	[M]	373	RME0261	FRONT LOCK SPRING	[M]
319	RMM0201	SLIDE PLATE 1	[M]	346	RML0522	TURNING STOPPER	[M]	374	RMQ0742	SPINDLE BASE	[M]
320	RME0258	REAR LOCK SPRING	[M]	347	RMQ0745	LOWER SPINDLE	[M]				
321	RML0521	REAR LOCK	[M]	348	RMQ0746	UP/DOWN BASE	[M]				
322	RME0257	TRAY LOCK LEVER SPRI	[M]	349	RMB0550	LOWER SPINDLE SPRING	[M]				
323	RML0520	TRAY LOCK	[M]	350	RMQ0747	UPPER HOOK	[M]				

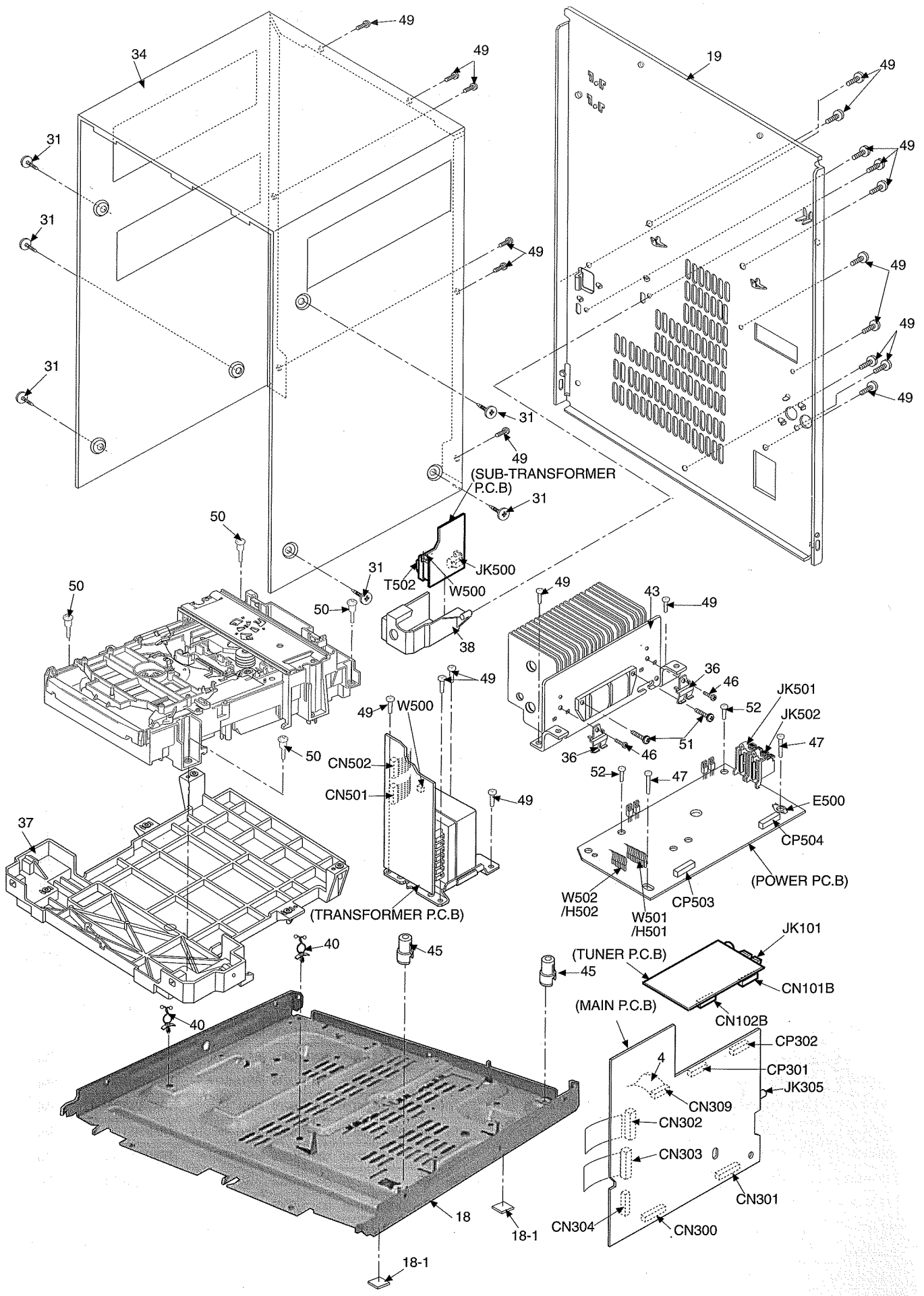
# CD Loading Unit Parts Location (RD-DAC026-S)





# Cabinet Parts Location





## Replacement Parts List

Notes: \* Important safety notice:

Components identified by  $\Delta$  mark have special characteristics important for safety.

Furthermore, special parts which have purposes of fire-retardant (resistors), high-quality sound (capacitors), low noise (resistors), etc are used. When replacing any of these components, be sure to use only manufacturer's specified parts shown in the parts list.

\* The parenthesized indications in the Remarks columns specify the areas or colour. (Refer to the cover page for area or colour) Parts without these indications can be used for all areas.

\* [M] indicates in the Remarks columns indicates parts supplied by MESA.

[D] indicates in the Remarks columns indicates parts supplied by MAVD.

\* Warning : This product uses a laser diode. Refer to caution statements on page 3.

ACHTUNG : • Die Lasereinheit nicht zerlegen.

• Die Lasereinheit darf nur gegen eine vom Hersteller spezifizierte Einheit ausgetauscht werden.

Ref No.	Part No.	Part Name & Description	Remarks	Ref No.	Part No.	Part Name & Description	Remarks	Ref No.	Part No.	Part Name & Description	Remarks
		<b>CABINET AND CHASSIS</b>		43	RXX0193	HEAT SINK	[M]	Q101	2SJ164QRTA	TRANSISTOR	[M]
				44	RGKX0040-S	CD LID	[M]	Q102	2SC2787LTA	TRANSISTOR	[M]
1	RDG0129-1	DAMPER GEAR	[M]	45	SHE187-4	SPACER (TRANS)	[M]	Q102	2SJ164QRTA	TRANSISTOR	[M]
3	REEX0054	26 PIN FFC WIRE	[M]	46	XTB3+10JFZ	SCREW	[M]	Q103	2SJ164QRTA	TRANSISTOR	[M]
4	REEX0055	14P FFC WIRE	[M]	47	XTB3+20J	SCREW	[M]	Q104	2SJ164QRTA	TRANSISTOR	[M]
5	REEX0056	23P FFC WIRE	[M]	48	XTBS26+10J	SCREW	[M]	Q106	RVTDTA114EST	TRANSISTOR	[M]
6	REEX0065	20 PIN FFC WIRE	[M]	49	XTBS3+8JFZ1	SCREW	[M]	Q107	BA1L4ZTA	TRANSISTOR	[M]
8	RWJ0208155RX	WIRE 8P	[M]	50	XTW3+12T	SCREW	[M]	Q108	BA1L4ZTA	TRANSISTOR	[M]
11	RYQX0017-S	CONTROL BUTT. UNIT	[M]	51	XTW3+15T	SCREW	[M]	Q115	2SD1020HTA	TRANSISTOR	[M]
15	RFKGAAK27EBS	FRONT PANEL ASS'Y	[D]	52	XTB3+10J	SCREW	[M]	Q116	2SD1020HTA	TRANSISTOR	[M]
15-1	RKWX0129-Q	FL WINDOW	[M]					Q117	BA1L4MTA	TRANSISTOR	[M]
15-2	RGKX0035-K	CD ORNAMENT	[M]			<b>INTEGRATED CIRCUITS</b>		Q118	2SC2785FTA	TRANSISTOR	[M]
16	RFKLACH330AK	C. HOLDER ASS'Y(L)	[M]					Q119	2SC2785FTA	TRANSISTOR	[M]
16-1	RUS757ZAA	CASS HALF SPRING	[M]	IC1	TA7291P	IC, DRIVE IC	[M]	Q120	2SC2785FTA	TRANSISTOR	[M]
17	RFKLACH330BK	C. HOLDER ASS'Y(R)	[M]	IC101	LA1833MN-TLM	IC, IF & MPX	[M]	Q121	2SC2785FTA	TRANSISTOR	[M]
17-1	RUS757ZAA	CASS HALF SPRING	[M]	IC101	M51167BFP-TB	IC, R/P	[M]	Q151	BA1L4ZTA	TRANSISTOR	[M]
18	RFKJAAK27GCS	BOTT. CHASSIS ASS'Y	[M]	IC102	BA7755A	IC, SW	[M]	Q152	BA1L4ZTA	TRANSISTOR	[M]
18-1	RKA0059-K	LEG RUBBER	[M]	IC102	LC72131MDTRM	IC, PLL	[M]	Q153	2SC1740SLNET	TRANSISTOR	[M]
19	RGRX0013H-A	REAR PANEL	[D]EG,E	IC103	CXA1552M-T4	IC, DOLBY	[M]	Q154	2SC1740SLNET	TRANSISTOR	[M]
19	RGRX0013H-B	REAR PANEL	[D]EB	IC104	BU4066BCF-E2	IC, ANALOG SW	[M]	Q171	2SD1302STA	TRANSISTOR	[M]
20	RYFX0073-S	CASS LID UNIT (L)	[M]	IC105	BU2090AF-E2	IC, I/O EXPANDER	[M]	Q173	BA1L4ZTA	TRANSISTOR	[M]
21	RYFX0074B-S	CASS LID UNIT (R)	[D]	IC301	M62456FPE1	IC, BTL	[M]	Q174	2SC2785FTA	TRANSISTOR	[M]
22	RGUX0306-Q	FUNCTION BUTTON	[M]	IC302	M5218AP	IC, BUFFER AMP	[M]	Q175	2SD1302STA	TRANSISTOR	[M]
23	RGUX0303-Q	DISC BUTTONS	[M]	IC303	M62433AFP	IC, AUDIO IC	[M]	Q176	2SD1302STA	TRANSISTOR	[M]
24	RGUX0307-Q	S. WOOFER BUTTON	[M]	IC501	RSN312H24	IC, HIC	[M] $\Delta$	Q179	2SC2784FTA	TRANSISTOR	[M]
25	RGUX0312A-S	DECK BUTTON	[D]	IC600	M38198MCA821	IC, MICRO P	[M]	Q200	2SD2144STA	TRANSISTOR	[M]
26	RGUX0304-Q	AI EQ BUTTON	[M]	IC601	BU2090AF-E2	IC, I/O EXPANDER	[M]	Q203	2SD965RTA	TRANSISTOR	[M]
27	RGUX0305-Q	TIMER BUTTON	[M]	IC602	BU2090AF-E2	IC, I/O EXPANDER	[M]	Q206	2SB621RTA	TRANSISTOR	[M]
28	RGUX0313-S	EJECT BUTTON	[M]	IC603	BA3835F-E2	IC, SPECTRUM	[M]	Q207	2SB621RTA	TRANSISTOR	[M]
30	RGWX0044-S	VOLUME KNOB	[M]	IC701	AN8837SBE1	IC, HEAD AMP	[M]	Q208	BA1A4ZTA	TRANSISTOR	[M]
31	RHD03001-K	SCREW (TRANS)	[M]	IC702	MN662746RPK1	IC, LSI	[M]	Q209	BA1A4ZTA	TRANSISTOR	[M]
32	RGLX0017-Q	STAND BY LIGHT	[M]	IC703	AN8780NSBE2	IC	[M]	Q218	BN1A4MTA	TRANSISTOR	[M]
33	RYQX0018-S	JOY/JOG UNIT	[M]	IC951	0N2180RLC	IC, PHOTO INTERRUPT	[M]	Q220	BN1L3NTA	TRANSISTOR	[M]
34	RKMX0049-S	TOP CABINET (BENT)	[D]	IC971	0N2180RLC	IC, PHOTO INTERRUPT	[M]	Q304	2SC1740SSTA	TRANSISTOR	[M]
35	RMB0446	CASS OPEN SPRING	[M]					Q305	KRC109MTA	TRANSISTOR	[M]
36	RMC0158-S	TRANSISTOR HOLDER	[M]			<b>TRANSISTORS</b>		Q306	KRA102MTA	TRANSISTOR	[M]
37	RMKX0031A	CD CHASSIS	[M]					Q307	KRC111MTA	TRANSISTOR	[M]
38	RMNX0023	SUB TRANS HOLDER	[M]	Q1	RVTDTTC143EST	TRANSISTOR	[M]	Q309	2SC2785FTA	TRANSISTOR	[M]
39	RMNX0024	FL HOLDER	[M]	Q1	RVTDTTC143EST	TRANSISTOR	[M]	Q310	2SC2785FTA	TRANSISTOR	[M]
40	RMRX0026-W	WIRE CLAMPER	[M]	Q101	2SC2787LTA	TRANSISTOR	[M]	Q311	2SC2785FTA	TRANSISTOR	[M]



Ref No.	Part No.	Part Name & Description	Remarks	Ref No.	Part No.	Part Name & Description	Remarks	Ref No.	Part No.	Part Name & Description	Remarks
Q312	KTC3199GRTA	TRANSISTOR	[M]	D174	MTZJ3R6BTA	DIODE	[M]	D545	MTZJ24DTA	DIODE	[M]△
Q313	2SD2144STA	TRANSISTOR	[M]	D175	RVD1SS133TA	DIODE	[M]	D591	1D3E	DIODE	[M]△
Q314	KTC3199GRTA	TRANSISTOR	[M]	D200	RVD1SS133TA	DIODE	[M]	D592	1D3E	DIODE	[M]△
Q315	2SD2144STA	TRANSISTOR	[M]	D201	RVD1SS133TA	DIODE	[M]	D593	1D3E	DIODE	[M]△
Q350	KSB564ACYGTA	TRANSISTOR	[M]	D202	RVD1SS133TA	DIODE	[M]	D594	1D3E	DIODE	[M]△
Q351	RVTDTTC114EST	TRANSISTOR	[M]	D302	MTZJ5R1BTA	DIODE	[M]△	D595	MTZJ7R5ATA	DIODE	[M]△
Q400	2SD2144STA	TRANSISTOR	[M]	D306	RVD1SS133TA	DIODE	[M]	D596	RVD1SS133TA	DIODE	[M]
Q501	2SD2395E	TRANSISTOR	[M]△	D307	RVD1SS133TA	DIODE	[M]	D598	1D3E	DIODE	[M]
Q502	2SB1566E	TRANSISTOR	[M]△	D308	RVD1SS133TA	DIODE	[M]	D600	SLR325MCT31W	DIODE	[M]
Q503	KTA12710YTA	TRANSISTOR	[M]	D310	RVD1SS133TA	DIODE	[M]	D601	SLR325MCT31W	DIODE	[M]
Q504	2SB1566E	TRANSISTOR	[M]△	D312	1D3E	DIODE	[M]	D602	SLR325MCT31W	DIODE	[M]
Q505	2SC1740SSTA	TRANSISTOR	[M]	D313	RVD1SS133TA	DIODE	[M]	D603	SLR325MCT31W	DIODE	[M]
Q506	2SA933SSTA	TRANSISTOR	[M]△	D314	RVD1SS133TA	DIODE	[M]	D604	SLR325DCT31	DIODE	[M]
Q507	KTC3199GRTA	TRANSISTOR	[M]	D316	RVD1SS133TA	DIODE	[M]	D605	LNJ201LPQJA	DIODE	[M]
Q508	KTC3199GRTA	TRANSISTOR	[M]△	D400	RVD1SS133TA	DIODE	[M]	D606	SLR325MCT31W	DIODE	[M]
Q509	KRA110MTA	TRANSISTOR	[M]	D401	RVD1SS133TA	DIODE	[M]	D607	SLR325MCT31W	DIODE	[M]
Q510	KRA110MTA	TRANSISTOR	[M]	D500	MTZJ6R2BTA	DIODE	[M]△	D608	SLR325MCT31W	DIODE	[M]
Q512	2SB1238QRTV2	TRANSISTOR	[M]△	D501	1N5402BM21	DIODE	[M]△	D609	SLR325MCT31W	DIODE	[M]
Q513	2SC3940AQSTA	TRANSISTOR	[M]	D502	1N5402BM21	DIODE	[M]△	D610	SLR325MCT31W	DIODE	[M]
Q514	2SD2395E	TRANSISTOR	[M]△	D503	1N5402BM21	DIODE	[M]△	D611	SLR325MCT31W	DIODE	[M]
Q515	2SC2785FTA	TRANSISTOR	[M]	D504	1N5402BM21	DIODE	[M]△	D612	SLR325MCT31W	DIODE	[M]
Q516	2SC2785FTA	TRANSISTOR	[M]	D505	1D3E	DIODE	[M]△	D613	SLR325MCT31W	DIODE	[M]
Q517	KTC32030YTA	TRANSISTOR	[M]△	D506	MTZJ12BTA	DIODE	[M]	D614	SLR325MCT31W	DIODE	[M]
Q518	2SD1859QRTV2	TRANSISTOR	[M]△	D507	1D3E	DIODE	[M]△	D615	SLR325MCT31W	DIODE	[M]
Q519	2SC1740SSTA	TRANSISTOR	[M]	D509	1D3E	DIODE	[M]	D616	SLR325DCT31	DIODE	[M]
Q520	2SB1417PQTA	TRANSISTOR	[M]△	D510	1D3E	DIODE	[M]	D617	SLR325DCT31	DIODE	[M]
Q521	2SB1238QRTV2	TRANSISTOR	[M]△	D513	MTZJ5R1BTA	DIODE	[M]△	D620	RVD1SS133TA	DIODE	[M]
Q591	2SC1740SSTA	TRANSISTOR	[M]	D515	MTZJ8R2BTA	DIODE	[M]△	D623	RVD1SS133TA	DIODE	[M]
Q592	2SC3940AQSTA	TRANSISTOR	[M]△	D516	RVD1SS133TA	DIODE	[M]	D625	RVD1SS133TA	DIODE	[M]
Q602	KTA12710YTA	TRANSISTOR	[M]	D518	MTZJ33BTA	DIODE	[M]△	D627	1SS291TA	DIODE	[M]
Q603	KTC3199GRTA	TRANSISTOR	[M]	D520	MTZJ10BTA	DIODE	[M]△	D628	1SS291TA	DIODE	[M]
Q605	KTC3199GRTA	TRANSISTOR	[M]	D521	1D3E	DIODE	[M]	D629	RVD1SS133TA	DIODE	[M]
Q606	KTC3199GRTA	TRANSISTOR	[M]	D523	1D3E	DIODE	[M]	D630	RVD1SS133TA	DIODE	[M]
Q607	KRC103MTA	TRANSISTOR	[M]	D524	MTZJ15CTA	DIODE	[M]△	D631	RVD1SS133TA	DIODE	[M]
Q608	KTC3199GRTA	TRANSISTOR	[M]	D525	RVD1SS133TA	DIODE	[M]	D632	1SS291TA	DIODE	[M]
Q609	KTC3199GRTA	TRANSISTOR	[M]	D526	1D3E	DIODE	[M]	D633	RVD1SS133TA	DIODE	[M]
Q610	2SA933SSTA	TRANSISTOR	[M]	D527	1D3E	DIODE	[M]△	D634	RVD1SS133TA	DIODE	[M]
Q611	KRC102MTA	TRANSISTOR	[M]	D528	RVD1SS133TA	DIODE	[M]	D635	RVD1SS133TA	DIODE	[M]
Q701	2SA1037AKSTX	TRANSISTOR	[M]	D529	RVD1SS133TA	DIODE	[M]	D636	MA4020LTA	DIODE	[M]
Q702	DTC114YKA146	TRANSISTOR	[M]	D530	1D3E	DIODE	[M]	D637	1SS291TA	DIODE	[M]
				D531	1SS291TA	DIODE	[M]	D638	RVD1SS133TA	DIODE	[M]
		<b>DIODES</b>		D532	MTZJ5R6BTA	DIODE	[M]△	D639	RVD1SS133TA	DIODE	[M]
				D533	1D3E	DIODE	[M]	D640	RVD1SS133TA	DIODE	[M]
D1	GP1S94	DIODE	[M]	D537	RK306LFU1	DIODE	[M]	D641	RVD1SS133TA	DIODE	[M]
D2	MTZJ4R7BTA	DIODE	[M]	D538	RK306LFU1	DIODE	[M]	D642	RVD1SS133TA	DIODE	[M]
D101	MTZJ5R1BTA	DIODE	[M]△	D539	RL1N4003N02	DIODE	[M]	D643	RVD1SS133TA	DIODE	[M]
D171	RVD1SS133TA	DIODE	[M]	D540	RL1N4003N02	DIODE	[M]	D951	MA165TA	DIODE	[M]
D172	MTZJ4R7BTA	DIODE	[M]	D541	RL1N4003N02	DIODE	[M]	D971	MA165TA	DIODE	[M]
D173	RVD1SS133TA	DIODE	[M]	D544	MTZJ24DTA	DIODE	[M]△				

Ref No.	Part No.	Part Name & Description	Remarks	Ref No.	Part No.	Part Name & Description	Remarks	Ref No.	Part No.	Part Name & Description	Remarks
		<b>VARIABLE RESISTORS</b>		S951	RSH1A018-3U	SW, MODE DECK 1	[M]			<b>COILS &amp; TRANSFORMERS</b>	
				S952	RSH1A019-2U	LEAF SWITCH	[M]				
VR101	RRN6B05B24TA	VR, SEMIFIXED	[M]	S953	RSH1A019-2U	LEAF SWITCH	[M]	L101	ELESNR68MA	CHOKE COIL	[M]
VR102	RRN6B05B24TA	VR, SEMIFIXED	[M]	S971	RSH1A018-3U	LEAF SWITCH	[M]	L102	ELESNR68MA	CHOKE COIL	[M]
VR103	RRN6B05B24TA	VR, SEMIFIXED	[M]	S972	RSH1A019-2U	LEAF SWITCH	[M]	L103	ELEXTR47MA9	CHOKE COIL	[M]
VR104	RRN6B05B24TA	VR, SEMIFIXED	[M]	S973	RSH1A019-2U	LEAF SWITCH	[M]	L201	RL08C002M-T	BIAS OSC COIL	[M]
VR600	RRV16B24104G	VR, ROTARY ENCODE	[M]	S974	RSH1A019-2U	LEAF SWITCH	[M]	L202	RLQZB470KT-D	RF CHOKE COIL	[M]
				S975	RSH1A019-2U	LEAF SWITCH	[M]	L500	RLQZ271M	LINE COIL	[M] Δ
		<b>SWITCHES</b>		SW1	RSH1A032-U	SW, PUSH	[M]	L501	RLQYR73MW-E	CHOKE COIL	[M]
				SW2	RSH1A032-U	SW, PUSH	[M]	L502	RLQYR73MW-E	CHOKE COIL	[M]
S600	EVQ21405R	SWITCH	[M]	SW3	RSH1A005-1U	SWTICH	[M]	L600	RLQZP101KT-Y	AXIAL COIL	[M]
S602	EVQ21405R	SW, AUX/MD	[M]	SW4	RSH1A91ZA-A	SW, CD	[M]	L601	RLQZP100KT-Y	AXIAL COIL	[M]
S603	EVQ21405R	SW, TUNE DOWN	[M]	SW5	RSP1A017-A	SW, LOCK	[M]	L602	RLQZP101KT-Y	AXIAL COIL	[M]
S604	EVQ21405R	SW, EJECT 5	[M]	SW600	ESE24SV1	SW, JOG	[M]	L603	RLQZP3R3KT-Y	COIL	[M]
S605	EVQ21405R	SW, TUNER/BAND	[M]					L604	RLQZP101KT-Y	AXIAL COIL	[M]
S606	EVQ21405R	SW, TUNE UP	[M]			<b>CONNECTORS</b>		L605	RLQZP101KT-Y	AXIAL COIL	[M]
S607	EVQ21405R	SW, EJECT 4	[M]	CN1	RJS1A9414	FF CONNECTOR	[M]	T501	RTP2N3B008	POWER TRANS	[D] Δ
S608	EVQ21405R	SW, CD	[M]	CN101B	RJU100H05	5P B/B CONNECTOR	[D]	T502	RTP1I3E001-V	BACK-UP TRANS	[M] Δ
S609	EVQ21405R	SW, TUNE MODE	[M]	CN102B	RJU100H06	6P B/B CONNECTOR	[D]			<b>COMPONENT COMBINATION</b>	
S610	EVQ21405R	SW, EJECT 3	[M]	CN201	RJS8T7ZA	8P MOLEX	[M]				
S611	EVQ21405R	SW, TAPE DECK 1/2	[M]	CN300	RJU057G12	12P P2 MQ CONNECTOR	[M]	Z101	EXBF7L355SYV	LADDER RESISTOR	[M]
S612	EVQ21405R	SW, MEMORY	[M]	CN301	RJU057G12	12P P2 MQ CONNECTOR	[M]	Z101	RLA2Z003M-T	ANT COIL BLOCK	[M]
S613	EVQ21405R	SW, EJECT 2	[M]	CN302	RJS2A3330	30P CONNECTOR	[M]	Z102	RLI2Z006M-T	AM IFT	[M]
S614	EVQ21405R	SW, CLK/TIMER	[M]	CN303	RJS1A9420	20P FFC TO MAIN	[M]	Z120	ENV17290G1Y	FM TUNER PACK	[M]
S615	EVQ21405R	SW, ECO MODE	[M]	CN304	RJS1A5210	10P WIRE HOLDER	[M]	Z300	EXBF7L355SYV	LADDER RESISTOR	[M]
S616	EVQ21405R	SW, FM MODE/BP	[M]	CN309	RJS1A9414	FF CONNECTOR	[M]	Z501	ERZV10V511CS	ZNR	[M] Δ
S617	EVQ21405R	SW, EJECT 1	[M]	CN501	RJT029W09V-1	9P CONNECTOR	[M]	Z602	RCDGP1U28XD	REMOTE SENSOR	[M]
S618	EVQ21405R	SW, PLAY/REC	[M]	CN502	RJT119W08V	CONNECTOR	[M]	Z971	EXBF7L355SYV	RADA RESISTOR	[M]
S619	EVQ21405R	SW, RANDOM	[M]	CN600	RJT071H11	11P B-B PIN	[M]			<b>CERAMIC FILTERS</b>	
S620	EVQ21405R	SW, DECK 1 EJECT	[M]	CN601	RJT071H11	11P B-B PIN	[M]				
S621	EVQ11G07K	SW, EQ DOWN	[M]	CN701	RJS2A6016	16P FFC CONNECTOR	[M]	CF201	RLFFETNGD01L	CERAMIC FILTER	[M]
S622	EVQ21405R	SW, DISP/DEMO	[M]	CN702	RJS1A6723-1Q	23P FFC CONNCTOR	[M]	CF202	RLFFETMGD01L	CERAMIC FILTER	[M]
S623	EVQ21405R	SW, CD MANAGER	[M]	CP101	RJT071H09A	9P B-B PIN	[M]			<b>RELAY</b>	
S624	EVQ21405R	SW, TAPE EDIT	[M]	CP102	RJT071H09A	9P B-B PIN	[M]				
S625	EVQ11G07K	SW, EQ LEFT	[M]	CP301	RJT100W06	6P B/B CONNECTOR	[D]	RL501	RSY0030M-C	RELAY	[M] Δ
S626	EVQ21405R	SW, S. WOOFER	[M]	CP302	RJT100W05	5P B/B CONNECTOR	[D]	RL502	RSY0040M-0	PRIMARY RELAY	[M] Δ
S627	EVQ21405R	SW, DISC 5	[M]	CP503	RJT057G12	12P P2 MQ CONNECTOR	[M]			<b>OSCILLATORS</b>	
S628	EVQ11G07K	SW, EQ UP	[M]	CP504	RJT057G12	12P P2 MQ CONNECTOR	[M]				
S629	EVQ21405R	SW, REC/STOP	[M]	CP600	RJU071H11M	CONNECTOR	[M]	X102	RLFDFT13DD	FM RESONATOR	[M]
S630	EVQ21405R	SW, DISC 4	[M]	CP601	RJU071H11M	CONNECTOR	[M]	X103	RSXC7M20S05T	CRYSTAL OSCILLATOR	[M]
S631	EVQ11G07K	SW, EQ RIGHT	[M]	CP603	RJS1A6223-1	23P CONNECTOR	[M]	X600	RSXZ8M00D01T	CERAMIC RESONATOR	[M]
S632	EVQ21405R	SW, REV MODE	[M]	CP604	RJS2A4230-F	30P FFC CONNECTOR	[D]	X601	RSXD32K7S02	32.768HKZ XTAL	[M]
S633	EVQ21405R	SW, DISC 3	[M]	CP605	RJS1A9420	20P FFC TO MAIN	[M]	X701	RSXZ16M9M01T	CERAMIC OSC	[M]
S634	EVQ21405R	SW, DECK 2 EJECT	[M]	CS101	RJS1A6805-J	5P CONNECTOR	[M]				
S635	EVQ21405R	SW, DISC 2	[M]	CS102	RJS1A6805-J	5P CONNECTOR	[M]				
S636	EVQ21405R	SW, DISC 1	[M]	CS951	RJU071H09M1	CONNECTOR	[M]				
S638	EVQ21405R	SW, POWER	[M]	CS971	RJU071H09M1	CONNECTOR	[M]				
S639	EVQ21405R	SW, 3D AI EQ	[M]								
S701	RSH1A043-U	SW, REST	[M]								

marks

Ref No.	Part No.	Part Name & Description	Remarks	Ref No.	Part No.	Part Name & Description	Remarks	Ref No.	Part No.	Part Name & Description	Remarks
		<b>DISPLAY TUBE</b>									
FL600	RSL0276-F	FL	[M]								
		<b>FUSES</b>									
F1	XBA2C16TB0	FUSE	[M] Δ								
		<b>FUSE HOLDERS</b>									
FC1	EYF52BC	FUSE HOLDER	[M]								
FC2	EYF52BC	FUSE HOLDER	[M]								
		<b>HOLDERS</b>									
H100	RMR0319	10P CABLE HOLDER	[M]								
H501	RJS1A5509	9P CABLE HOLDER	[M]								
H502	RJS1A5508	WIRE HOLDER	[M]								
H600	RMR0317	8P CABLE HOLDER	[M]								
		<b>JACKS</b>									
JK101	RJH5210-1	JK, ANTENNA	[M]								
JK305	RJH2206	JK, RCA	[M]								
JK500	SJS9236-1	JK, SOCKET	[M] Δ								
JK501	RJR0054B-J	JK, SPEAKER	[M]								
JK502	RJR0054C-J	JK, SPEAKER	[M]								
JK600	RJJ37TK07-H	JK, HP	[M]								
		<b>EARTH TERMINAL</b>									
E500	SNE1004-2	EARTH TERMINAL	[M]								
		<b>WIRES</b>									
W1	REE0501	TRANS. WIRE (YEL)	[M]								
W1	REZ1023-1	4P WIRE	[M]								
W2	REE0856	TRANS. WIRE (BLACK)	[M]								
W2	REZ1024	3P WIRE	[M]								
W100	RWJ0210260RX	10P DECK TO MAIN	[M]								
W300	RWJ0102065CK	WIRE	[M]								
W500	REXX0202	2P TRANSFORMER WIRE	[M]								
W501	REXX0198	9P WIRE	[M]								
W502	REXX0199	8P WIRE	[M]								
W1200	RWJ0102065CK	WIRE	[M]								

## Resistors & Capacitors

- Notes:**
- \* Capacitor values are in microfarads (mF) unless specified otherwise, P=Pico-farads (pF), F=Farads.
  - \* Resistance values are in ohms, unless specified otherwise, 1K=1,000 (OHM).
  - \* Bracketed indications in Values & Remarks columns specify the area (Refer to the first page for area).  
Parts without these indications can be used for all areas.
  - \* [M] indicates in the Values & Remarks columns indicates parts supplied by **MESA**.
  - \* [D] indicates in the Values & Remarks columns indicates parts supplied by **MAVD**.

Ref. No.	Part No.	Values & Remarks	Ref. No.	Part No.	Values & Remarks	Ref. No.	Part No.	Values & Remarks	Ref. No.	Part No.	Values & Remarks
		<b>RESISTORS</b>	R123	ERDS2TJ683T	68K 1/4W [M]	R154	ERDS2TJ102T	1K 1/4W [M]	R212	ERDS2TJ222T	2.2K 1/4W [M]
			R124	ERDS2TJ103T	10K 1/4W [M]	R155	ERDS2TJ681T	680 1/4W [M]	R213	ERDS2TJ123T	12K 1/4W [M]
R1	ERDS2TJ102T	1K 1/4W [M]	R124	ERDS2TJ271T	270 1/4W [M]	R156	ERDS2TJ681T	680 1/4W [M]	R213	ERDS2TJ152T	1.5K 1/4W [M]
R101	ERDS2TJ334T	330K 1/4W [M]	R125	ERDS2TJ102T	1K 1/4W [M]	R158	ERDS2TJ221T	220 1/4W [M]	R215	ERDS2TJ102T	1K 1/4W [M]
R102	ERDS2TJ104T	100K 1/4W [M]	R125	ERDS2TJ471T	470 1/4W [M]	R159	ERDS2TJ222T	2.2K 1/4W [M]	R215	ERDS2TJ222T	2.2K 1/4W [M]
R102	ERDS2TJ472T	4.7K 1/4W [M]	R126	ERDS2TJ102T	1K 1/4W [M]	R160	ERDS2TJ222T	2.2K 1/4W [M]	R216	ERDS2TJ222T	2.2K 1/4W [M]
R103	ERDS2TJ101T	100 1/4W [M]	R127	ERDS2TJ471T	470 1/4W [M]	R161	ERDS2TJ472T	4.7K 1/4W [M]	R216	ERDS2TJ392T	3.9K 1/4W [M]
R103	ERDS2TJ153T	15K 1/4W [M]	R128	ERDS2TJ820T	82 1/4W [M]	R162	ERDS2TJ472T	4.7K 1/4W [M]	R217	ERDS2TJ683T	68K 1/4W [M]
R104	ERDS2TJ103T	10K 1/4W [M]	R129	ERDS2TJ273T	27K 1/4W [M]	R163	ERDS2TJ183T	18K 1/4W [M]	R218	ERDS2TJ332T	3.3K 1/4W [M]
R104	ERDS2TJ153T	15K 1/4W [M]	R129	ERDS2TJ822T	8.2K 1/4W [M]	R165	ERDS2TJ563T	56K 1/4W [M]	R219	ERDS2TJ472T	4.7K 1/4W [M]
R105	ERDS2TJ271T	270 1/4W [M]	R130	ERDS2TJ103T	10K 1/4W [M]	R166	ERDS2TJ104T	100K 1/4W [M]	R220	ERDS2TJ104T	100K 1/4W [M]
R105	ERDS2TJ471T	470 1/4W [M]	R130	ERDS2TJ822T	8.2K 1/4W [M]	R167	ERDS2TJ470T	47 1/4W [M]	R220	ERDS2TJ472T	4.7K 1/4W [M]
R106	ERDS2TJ222T	2.2K 1/4W [M]	R131	ERDS2TJ680T	68 1/4W [M]	R170	ERDS2TJ102T	1K 1/4W [M]	R221	ERDS2TJ102T	1K 1/4W [M]
R106	ERDS2TJ474T	470K 1/4W [M]	R131	ERDS2TJ683T	68K 1/4W [M]	R172	ERDS2TJ331T	330 1/4W [M]	R221	ERDS2TJ2R7T	2.7 1/4W [M]
R107	ERDS2TJ330T	33 1/4W [M]	R132	ERDS2TJ103T	10K 1/4W [M]	R173	ERDS2TJ103T	10K 1/4W [M]	R222	ERDS2TJ123T	12K 1/4W [M]
R107	ERDS2TJ331T	330 1/4W [M]	R132	ERDS2TJ335T	3.3M 1/4W [M]	R174	ERDS2TJ103T	10K 1/4W [M]	R223	ERDS2TJ473T	47K 1/4W [M]
R108	ERDS2TJ330T	33 1/4W [M]	R133	ERDS2TJ102T	1K 1/4W [M]	R176	ERDS2TJ822T	8.2K 1/4W [M]	R224	ERDS2TJ153T	15K 1/4W [M]
R108	ERDS2TJ474T	470K 1/4W [M]	R133	ERDS2TJ332T	3.3K 1/4W [M]	R177	ERDS2TJ472T	4.7K 1/4W [M]	R225	ERDS2TJ2R7T	2.7 1/4W [M]
R109	ERDS2TJ331T	330 1/4W [M]	R134	ERDS2TJ471T	470 1/4W [M]	R178	ERDS2TJ1R2T	1.2 1/4W [M]	R225	ERDS2TJ392T	3.9K 1/4W [M]
R109	ERDS2TJ432T	4.3K 1/4W [M]	R134	ERDS2TJ474T	470K 1/4W [M]	R179	ERDS2TJ472T	4.7K 1/4W [M]	R226	ERDS2TJ101T	100 1/4W [M]
R110	ERDS2TJ102T	1K 1/4W [M]	R135	ERDS2TJ102T	1K 1/4W [M]	R180	ERDS2TJ472T	4.7K 1/4W [M]	R226	ERDS2TJ102T	1K 1/4W [M]
R110	ERDS2TJ432T	4.3K 1/4W [M]	R136	ERDS2TJ102T	1K 1/4W [M]	R181	ERDS2TJ332T	3.3K 1/4W [M]	R227	ERDS2TJ102T	1K 1/4W [M]
R111	ERDS2TJ222T	2.2K 1/4W [M]	R137	ERDS2TJ102T	1K 1/4W [M]	R182	ERDS2TJ1R0T	1 1/4W [M]	R227	ERDS2TJ390T	39 1/4W [M]
R111	ERDS2TJ391T	390 1/4W [M]	R137	ERDS2TJ103T	10K 1/4W [M]	R183	ERDS2TJ104T	100K 1/4W [M]	R228	ERDS2TJ472T	4.7K 1/4W [M]
R112	ERDS2TJ104T	100K 1/4W [M]	R138	ERDS2TJ103T	10K 1/4W [M]	R184	ERDS2TJ104T	100K 1/4W [M]	R229	ERDS2TJ103T	10K 1/4W [M]
R112	ERDS2TJ222T	2.2K 1/4W [M]	R138	ERDS2TJ332T	3.3K 1/4W [M]	R185	ERDS2TJ104T	100K 1/4W [M]	R229	ERDS2TJ223T	22K 1/4W [M]
R113	ERDS2TJ103T	10K 1/4W [M]	R139	ERDS2TJ103T	10K 1/4W [M]	R186	ERDS2TJ102T	1K 1/4W [M]	R230	ERDS2TJ333T	33K 1/4W [M]
R114	ERDS2TJ562T	5.6K 1/4W [M]	R141	ERDS2TJ102T	1K 1/4W [M]	R188	ERDS2TJ102T	1K 1/4W [M]	R230	ERDS2TJ472T	4.7K 1/4W [M]
R115	ERDS2TJ474T	470K 1/4W [M]	R141	ERDS2TJ682T	6.8K 1/4W [M]	R189	ERDS2TJ472T	4.7K 1/4W [M]	R231	ERDS2TJ153T	15K 1/4W [M]
R115	ERDS2TJ561T	560 1/4W [M]	R142	ERDS2TJ102T	1K 1/4W [M]	R190	ERDS2TJ104T	100K 1/4W [M]	R232	ERDS2TJ102T	1K 1/4W [M]
R116	ERDS2TJ102T	1K 1/4W [M]	R142	ERDS2TJ682T	6.8K 1/4W [M]	R191	ERDS2TJ563T	56K 1/4W [M]	R232	ERDS2TJ473T	47K 1/4W [M]
R116	ERDS2TJ474T	470K 1/4W [M]	R143	ERDS2TJ222T	2.2K 1/4W [M]	R192	ERDS2TJ470T	47 1/4W [M]	R233	ERDS2TJ222T	2.2K 1/4W [M]
R117	ERDS2TJ274T	270K 1/4W [M]	R143	ERDS2TJ223T	22K 1/4W [M]	R193	ERDS2TJ104T	100K 1/4W [M]	R233	ERDS2TJ563T	56K 1/4W [M]
R117	ERDS2TJ683T	68K 1/4W [M]	R144	ERDS2TJ222T	2.2K 1/4W [M]	R194	ERDS2TJ104T	100K 1/4W [M]	R234	ERDS2TJ472T	4.7K 1/4W [M]
R118	ERDS2TJ274T	270K 1/4W [M]	R145	ERDS2TJ103T	10K 1/4W [M]	R195	ERDS2TJ104T	100K 1/4W [M]	R234	ERDS2TJ821T	820 1/4W [M]
R118	ERDS2TJ472T	4.7K 1/4W [M]	R145	ERDS2TJ104T	100K 1/4W [M]	R201	ERDS2TJ103T	10K 1/4W [M]	R235	ERDS2TJ122T	1.2K 1/4W [M]
R119	ERDS2TJ333T	33K 1/4W [M]	R146	ERDS2TJ103T	10K 1/4W [M]	R202	ERDS2TJ332T	3.3K 1/4W [M]	R235	ERDS2TJ472T	4.7K 1/4W [M]
R120	ERDS2TJ473T	47K 1/4W [M]	R146	ERDS2TJ104T	100K 1/4W [M]	R206	ERDS2TJ221T	220 1/4W [M]	R236	ERDS2TJ472T	4.7K 1/4W [M]
R121	ERDS2TJ223T	22K 1/4W [M]	R149	ERDS2TJ272T	2.7K 1/4W [M]	R207	ERDS2TJ332T	3.3K 1/4W [M]	R253	ERDS2TJ390T	39 1/4W [M]
R121	ERDS2TJ333T	33K 1/4W [M]	R150	ERDS2TJ272T	2.7K 1/4W [M]	R208	ERDS2TJ222T	2.2K 1/4W [M]	R300	ERDS2TJ472T	4.7K 1/4W [M]
R122	ERDS2TJ272T	2.7K 1/4W [M]	R151	ERDS2TJ105T	1M 1/4W [M]	R209	ERDS2TJ562T	5.6K 1/4W [M]	R301	ERDS2TJ223T	22K 1/4W [M]
R122	ERDS2TJ333T	33K 1/4W [M]	R152	ERDS2TJ105T	1M 1/4W [M]	R210	ERDS2TJ102T	1K 1/4W [M]	R302	ERDS2TJ183T	18K 1/4W [M]
R123	ERDS2TJ103T	10K 1/4W [M]	R153	ERDS2TJ102T	1K 1/4W [M]	R211	ERDS2TJ222T	2.2K 1/4W [M]	R303	ERDS2TJ100T	10 1/4W [M]

Ref. No.	Part No.	Values & Remarks	Ref. No.	Part No.	Values & Remarks	Ref. No.	Part No.	Values & Remarks	Ref. No.	Part No.	Values & Remarks
R304	ERDS2TJ223T	22K 1/4W [M]	R408	ERDS2TJ222T	2.2K 1/4W [M]	R519	ERDS2TJ2R2T	2.2 1/4W [M]	R592	RSFMB40KT-L	FUSE PROTECTOR Δ[M]
R305	ERDS2TJ103T	10K 1/4W [M]	R409	ERDS2TJ562T	5.6K 1/4W [M]	R520	ERDS2TJ2R2T	2.2 1/4W [M]	R593	ERDS2TJ222T	2.2K 1/4W [M]
R306	ERDS2TJ122T	1.2K 1/4W [M]	R410	ERDS2TJ102T	1K 1/4W [M]	R521	ERDS2TJ151T	150 1/4W [M]	R595	ERDS2TJ332T	3.3K 1/4W [M]
R307	ERDS2TJ103T	10K 1/4W [M]	R411	ERDS2TJ222T	2.2K 1/4W [M]	R522	ERDS2TJ472T	4.7K 1/4W [M]	R597	ERDS2TJ102T	1K 1/4W [M]
R308	ERDS2TJ332T	3.3K 1/4W [M]	R412	ERDS2TJ222T	2.2K 1/4W [M]	R523	ERD2FCVJ4R7T	4.7 1/4W [M]	R598	ERDS2TJ223T	22K 1/4W [M]
R309	ERDS2TJ332T	3.3K 1/4W [M]	R413	ERDS2TJ123T	12K 1/4W [M]	R524	ERDS2TJ2R2T	2.2 1/4W [M]	R599	ERDS2TJ151T	150 1/4W [M]
R313	ERDS2TJ393T	39K 1/4W [M]	R415	ERDS2TJ102T	1K 1/4W [M]	R525	ERDS2TJ272T	2.7K 1/4W [M]	R600	ERDS2TJ223T	22K 1/4W [M]
R316	ERDS2TJ153T	15K 1/4W [M]	R416	ERDS2TJ392T	3.9K 1/4W [M]	R526	ERDS2TJ103T	10K 1/4W [M]	R601	ERDS2TJ333T	33K 1/4W [M]
R318	ERDS2TJ123T	12K 1/4W [M]	R417	ERDS2TJ683T	68K 1/4W [M]	R527	ERDS2TJ561T	560 1/4W [M]	R602	ERDS2TJ223T	22K 1/4W [M]
R321	ERDS2TJ2R7T	2.7 1/4W [M]	R418	ERDS2TJ332T	3.3K 1/4W [M]	R528	ERDS2TJ272T	2.7K 1/4W [M]	R603	ERDS2TJ682T	6.8K 1/4W [M]
R322	ERDS2TJ271T	270 1/4W [M]	R419	ERDS2TJ472T	4.7K 1/4W [M]	R529	ERDS1FVJ332T	3.3K 1/2W Δ[M]	R604	ERDS2TJ103T	10K 1/4W [M]
R323	ERDS2TJ222T	2.2K 1/4W [M]	R420	ERDS2TJ104T	100K 1/4W [M]	R530	ERD2FCVG270T	27 1/4W [M]	R605	ERDS2TJ103T	10K 1/4W [M]
R324	ERDS2TJ222T	2.2K 1/4W [M]	R421	ERDS2TJ102T	1K 1/4W [M]	R531	ERDS1FVJ150T	15 1/2W Δ[M]	R606	ERDS2TJ682T	6.8K 1/4W [M]
R325	ERDS2TJ222T	2.2K 1/4W [M]	R422	ERDS2TJ123T	12K 1/4W [M]	R532	ERDS1FVJ332T	3.3K 1/2W Δ[M]	R607	ERDS2TJ472T	4.7K 1/4W [M]
R326	ERDS2TJ683T	68K 1/4W [M]	R423	ERDS2TJ473T	47K 1/4W [M]	R536	ERDS1FVJ100T	10 1/2W Δ[M]	R608	ERDS2TJ682T	6.8K 1/4W [M]
R327	ERDS2TJ154T	150K 1/4W [M]	R424	ERDS2TJ153T	15K 1/4W [M]	R537	ERDS2TJ824T	820K 1/4W [M]	R609	ERDS2TJ472T	4.7K 1/4W [M]
R331	ERDS2TJ103T	10K 1/4W [M]	R425	ERDS2TJ392T	3.9K 1/4W [M]	R538	ERDS2TJ222T	2.2K 1/4W [M]	R610	ERDS2TJ272T	2.7K 1/4W [M]
R332	ERDS2TJ103T	10K 1/4W [M]	R426	ERDS2TJ101T	100 1/4W [M]	R539	ERDS1FVJ272T	2.7K 1/2W Δ[M]	R611	ERDS2TJ472T	4.7K 1/4W [M]
R333	ERDS2TJ224T	220K 1/4W [M]	R427	ERDS2TJ390T	39 1/4W [M]	R540	ERDS2TJ183T	18K 1/4W [M]	R613	ERDS2TJ272T	2.7K 1/4W [M]
R334	ERDS2TJ274T	270K 1/4W [M]	R429	ERDS2TJ223T	22K 1/4W [M]	R541	ERDS2TJ183T	18K 1/4W [M]	R614	ERDS2TJ222T	2.2K 1/4W [M]
R335	ERDS2TJ472T	4.7K 1/4W [M]	R430	ERDS2TJ393T	39K 1/4W [M]	R542	ERDS2TJ563T	56K 1/4W [M]	R615	ERDS2TJ103T	10K 1/4W [M]
R336	ERDS2TJ153T	15K 1/4W [M]	R431	ERDS2TJ153T	15K 1/4W [M]	R543	ERDS2TJ563T	56K 1/4W [M]	R616	ERDS2TJ272T	2.7K 1/4W [M]
R337	ERDS2TJ822T	8.2K 1/4W [M]	R432	ERDS2TJ473T	47K 1/4W [M]	R544	ERDS2TJ124T	120K 1/4W [M]	R617	ERDS2TJ222T	2.2K 1/4W [M]
R338	ERDS2TJ472T	4.7K 1/4W [M]	R433	ERDS2TJ563T	56K 1/4W [M]	R545	ERDS2TJ154T	150K 1/4W [M]	R618	ERDS2TJ182T	1.8K 1/4W [M]
R339	ERDS2TJ823T	82K 1/4W [M]	R434	ERDS2TJ821T	820 1/4W [M]	R546	ERDS2TJ562T	5.6K 1/4W [M]	R621	ERDS2TJ331T	330 1/4W [M]
R340	ERDS2TJ823T	82K 1/4W [M]	R435	ERDS2TJ122T	1.2K 1/4W [M]	R547	ERDS2TJ562T	5.6K 1/4W [M]	R622	ERDS2TJ221T	220 1/4W [M]
R341	ERDS2TJ153T	15K 1/4W [M]	R451	ERDS2TJ103T	10K 1/4W [M]	R548	ERDS1FVJ2R2T	2.2 1/2W Δ[M]	R623	ERDS2TJ682T	6.8K 1/4W [M]
R342	ERDS2TJ103T	10K 1/4W [M]	R452	ERDS2TJ103T	10K 1/4W [M]	R549	ERDS1FVJ2R2T	2.2 1/2W Δ[M]	R624	ERDS2TJ222T	2.2K 1/4W [M]
R343	ERDS2TJ104T	100K 1/4W [M]	R453	ERDS2TJ390T	39 1/4W [M]	R550	ERDS1FVJ2R2T	2.2 1/2W Δ[M]	R625	ERDS2TJ331T	330 1/4W [M]
R344	ERDS2TJ824T	820K 1/4W [M]	R454	ERDS2TJ223T	22K 1/4W [M]	R553	ERDS2TJ684T	680K 1/4W [M]	R626	ERDS2TJ331T	330 1/4W [M]
R345	ERDS2TJ221T	220 1/4W [M]	R455	ERDS2TJ152T	1.5K 1/4W [M]	R554	ERDS2TJ103T	10K 1/4W [M]	R627	ERDS2TJ331T	330 1/4W [M]
R346	ERDS2TJ223T	22K 1/4W [M]	R456	ERDS2TJ562T	5.6K 1/4W [M]	R555	ERDS2TJ223T	22K 1/4W [M]	R629	ERDS2TJ182T	1.8K 1/4W [M]
R347	ERDS2TJ123T	12K 1/4W [M]	R457	ERDS2TJ822T	8.2K 1/4W [M]	R557	ERD2FCVJ4R7T	4.7 1/4W [M]	R630	ERDS2TJ122T	1.2K 1/4W [M]
R348	ERDS2TJ103T	10K 1/4W [M]	R458	ERDS2TJ822T	8.2K 1/4W [M]	R558	ERD2FCVJ4R7T	4.7 1/4W [M]	R631	ERDS2TJ472T	4.7K 1/4W [M]
R349	ERDS2TJ103T	10K 1/4W [M]	R459	ERDS2TJ392T	3.9K 1/4W [M]	R559	ERDS2TJ332T	3.3K 1/4W [M]	R633	ERDS2TJ182T	1.8K 1/4W [M]
R350	ERDS2TJ102T	1K 1/4W [M]	R460	ERDS2TJ332T	3.3K 1/4W [M]	R560	ERD25FVJ331T	330 1/4W [M]	R634	ERDS2TJ122T	1.2K 1/4W [M]
R351	ERDS2TJ472T	4.7K 1/4W [M]	R501	ERDS2TJ100T	10 1/4W [M]	R561	ERDS2TJ562T	5.6K 1/4W [M]	R635	ERDS2TJ102T	1K 1/4W [M]
R352	ERDS2TJ472T	4.7K 1/4W [M]	R502	ERDS2TJ100T	10 1/4W [M]	R562	ERD25FVJ331T	330 1/4W [M]	R638	ERDS2TJ272T	2.7K 1/4W [M]
R353	ERDS2TJ222T	2.2K 1/4W [M]	R503	ERDS2TJ332T	3.3K 1/4W [M]	R563	ERDS1FVJ100T	10 1/2W Δ[M]	R639	ERDS2TJ102T	1K 1/4W [M]
R354	ERDS2TJ472T	4.7K 1/4W [M]	R507	ERDS2TJ103T	10K 1/4W [M]	R564	ERDS1FVJ100T	10 1/2W Δ[M]	R640	ERDS2TJ122T	1.2K 1/4W [M]
R355	ERDS2TJ472T	4.7K 1/4W [M]	R509	ERDS2TJ472T	4.7K 1/4W [M]	R565	ERDS2TJ104T	100K 1/4W [M]	R641	ERDS2TJ102T	1K 1/4W [M]
R356	ERDS2TJ472T	4.7K 1/4W [M]	R510	ERDS2TJ122T	1.2K 1/4W [M]	R566	ERDS2TJ103T	10K 1/4W [M]	R642	ERDS2TJ102T	1K 1/4W [M]
R357	ERDS2TJ222T	2.2K 1/4W [M]	R511	ERDS2TJ182T	1.8K 1/4W [M]	R567	ERDS2TJ151T	150 1/4W [M]	R644	ERDS2TJ222T	2.2K 1/4W [M]
R358	ERDS2TJ472T	4.7K 1/4W [M]	R512	ERDS2TJ151T	150 1/4W [M]	R569	ERDS2TJ393T	39K 1/4W [M]	R645	ERDS2TJ102T	1K 1/4W [M]
R359	ERDS2TJ472T	4.7K 1/4W [M]	R513	ERDS2TJ331T	330 1/4W [M]	R570	ERDS2TJ102T	1K 1/4W [M]	R646	ERDS2TJ820T	82 1/4W [M]
R360	ERDS2TJ472T	4.7K 1/4W [M]	R514	ERDS1FVJ470T	47 1/2W Δ[M]	R571	ERDS2TJ393T	39K 1/4W [M]	R647	ERDS2TJ331T	330 1/4W [M]
R401	ERDS2TJ103T	10K 1/4W [M]	R515	ERDS1FVJ470T	47 1/2W Δ[M]	R580	ERDS2TJ150T	15 1/4W [M]	R648	ERDS2TJ102T	1K 1/4W [M]
R402	ERDS2TJ332T	3.3K 1/4W [M]	R517	ERDS2TJ331T	330 1/4W [M]	R581	ERDS1FVJ270T	27 1/2W Δ[M]	R649	ERDS2TJ182T	1.8K 1/4W [M]
R407	ERDS2TJ332T	3.3K 1/4W [M]	R518	ERDS2TJ122T	1.2K 1/4W [M]	R591	RSFMB40KT-L	FUSE PROTECTOR Δ[M]	R650	ERDS2TJ331T	330 1/4W [M]

Ref. No.	Part No.	Values & Remarks	Ref. No.	Part No.	Values & Remarks	Ref. No.	Part No.	Values & Remarks	Ref. No.	Part No.	Values & Remarks
R652	ERDS2TJ102T	1K 1/4W [M]	R704	ERJ6GEYJ102A	1K 1/10W [M]	R916	ERDS2TJ101T	100 1/4W [M]	C101	ECBT1C103NS5	0.01 16V [M]
R653	ERDS2TJ122T	1.2K 1/4W [M]	R705	ERJ6GEYJ124A	120K 1/10W [M]	R917	ERDS2TJ681T	680 1/4W [M]	C101	ECBT1H102KB5	1000P 50V [M]
R654	ERDS2TJ331T	330 1/4W [M]	R706	ERJ6GEYJ102A	1K 1/10W [M]	R918	ERDS2TJ106T	10M 1/4W [M]	C102	ECBT1H102KB5	1000P 50V [M]
R655	ERDS2TJ331T	330 1/4W [M]	R707	ERJ6GEYJ474A	470K 1/10W [M]	R919	ERDS2TJ101T	100 1/4W [M]	C102	ECEA1CKA101B	100 16V [M]
R656	ERDS2TJ102T	1K 1/4W [M]	R708	ERJ6GEYJ154A	150K 1/10W [M]	R920	ERDS2TJ334T	330K 1/4W [M]	C103	ECBT1C103NS5	0.01 16V [M]
R657	ERDS2TJ331T	330 1/4W [M]	R709	ERJ6GEYJ473A	47K 1/10W [M]	R921	ERDS2TJ562T	5.6K 1/4W [M]	C103	ECBT1H681KB5	680P 50V [M]
R658	ERDS2TJ101T	100 1/4W [M]	R710	ERJ6GEYJ103A	10K 1/10W [M]	R922	ERDS2TJ680T	68 1/4W [M]	C104	ECBT1H102KB5	1000P 50V [M]
R659	ERDS2TJ331T	330 1/4W [M]	R711	ERJ6GEYJ104A	100K 1/10W [M]	R923	ERDS2TJ103T	10K 1/4W [M]	C104	ECFR1C223KR	0.022 16V [M]
R660	ERDS2TJ102T	1K 1/4W [M]	R712	ERJ6GEYJ151A	150 1/10W [M]	R924	ERDS2TJ104T	100K 1/4W [M]	C105	ECBT1H102KB5	1000P 50V [M]
R661	ERDS2TJ331T	330 1/4W [M]	R715	ERJ6GEYJ122A	1.2K 1/10W [M]	R925	ERDS2TJ680T	68 1/4W [M]	C105	ECBT1H681KB5	680P 50V [M]
R662	ERDS2TJ102T	1K 1/4W [M]	R717	ERJ6GEYJ102A	1K 1/10W [M]	R926	ERDS2TJ102T	1K 1/4W [M]	C106	ECBT1C103NS5	0.01 16V [M]
R663	ERDS2TJ102T	1K 1/4W [M]	R718	ERJ6GEYJ102A	1K 1/10W [M]	R927	ERDS2TJ103T	10K 1/4W [M]	C106	ECBT1H681KB5	680P 50V [M]
R664	ERDS2TJ104T	100K 1/4W [M]	R719	ERJ6GEYJ102A	1K 1/10W [M]	R928	ERDS2TJ103T	10K 1/4W [M]	C107	ECBT1H473ZF5	0.047 50V [M]
R665	ERDS2TJ104T	100K 1/4W [M]	R720	ERJ6GEYJ102A	1K 1/10W [M]	R929	ERDS2TJ103T	10K 1/4W [M]	C108	ECBT1H8R2KC5	8.2P 50V [M]
R666	ERDS2TJ104T	100K 1/4W [M]	R721	ERJ6GEYJ101A	100 1/10W [M]	R930	ERDS2TJ103T	10K 1/4W [M]	C108	ECEA1CKA330B	33 16V [M]
R667	ERDS2TJ104T	100K 1/4W [M]	R723	ERJ6GEYJ272A	2.7K 1/10W [M]	R931	ERDS2TJ472T	4.7K 1/4W [M]	C109	ECBT1H102KB5	1000P 50V [M]
R668	ERDS2TJ104T	100K 1/4W [M]	R724	ERJ6GEYJ333A	33K 1/10W [M]	R932	ERDS2TJ223T	22K 1/4W [M]	C109	ECEA1CKA101B	100 16V [M]
R669	ERDS2TJ104T	100K 1/4W [M]	R725	ERJ6GEYJ122A	1.2K 1/10W [M]	R933	ERDS2TJ471T	470 1/4W [M]	C110	ECBT1C103NS5	0.01 16V [M]
R670	ERDS2TJ104T	100K 1/4W [M]	R727	ERJ6GEYJ682A	6.8K 1/10W [M]	R934	ERDS2TJ472T	4.7K 1/4W [M]	C111	ECBT1H561KB5	560P 50V [M]
R671	ERDS2TJ104T	100K 1/4W [M]	R728	ERJ6GEYJ682A	6.8K 1/10W [M]	R935	ERDS2TJ473T	47K 1/4W [M]	C111	ECEA1EKA4R7B	4.7 25V [M]
R672	ERDS2TJ104T	100K 1/4W [M]	R729	ERJ6GEYJ562A	5.6K 1/10W [M]	R936	ERDS2TJ473T	47K 1/4W [M]	C112	ECBT1C103NS5	0.01 16V [M]
R673	ERDS2TJ104T	100K 1/4W [M]	R731	ERJ6GEYJ123A	12K 1/10W [M]	R937	ERDS2TJ474T	470K 1/4W [M]	C112	ECBT1H561KB5	560P 50V [M]
R674	ERDS2TJ104T	100K 1/4W [M]	R734	ERJ6GEYJ101A	100 1/10W [M]	R938	ERDS2TJ472T	4.7K 1/4W [M]	C113	ECBT1H102KB5	1000P 50V [M]
R675	ERDS2TJ104T	100K 1/4W [M]	R735	ERJ6GEYJ101A	100 1/10W [M]	R939	ERDS2TJ104T	100K 1/4W [M]	C113	ECEA0JKA221B	220 6.3V [M]
R676	ERDS2TJ104T	100K 1/4W [M]	R736	ERJ6GEYJ101A	100 1/10W [M]	R940	ERDS2TJ104T	100K 1/4W [M]	C114	ECEA0JKA221B	220 6.3V [M]
R677	ERDS2TJ103T	10K 1/4W [M]	R738	ERJ6GEYJ223A	22K 1/10W [M]	R941	ERDS2TJ104T	100K 1/4W [M]	C114	ECEA1HKA3R3B	3.3 50V [M]
R678	ERDS2TJ391T	390 1/4W [M]	R741	ERJ6GEYJ562A	5.6K 1/10W [M]	R942	ERDS2TJ101T	100 1/4W [M]	C115	ECEA1EKA4R7B	4.7 25V [M]
R679	ERDS2TJ391T	390 1/4W [M]	R742	ERJ6GEYJ562A	5.6K 1/10W [M]	R945	ERDS2TJ103T	10K 1/4W [M]	C115	ECFR1C333JR	0.033 16V [M]
R680	ERDS2TJ101T	100 1/4W [M]	R743	ERJ6GEYJ562A	5.6K 1/10W [M]	R947	ERDS2TJ102T	1K 1/4W [M]	C116	ECFR1C333JR	0.033 16V [M]
R681	ERDS2TJ102T	1K 1/4W [M]	R744	ERJ6GEYJ104A	100K 1/10W [M]	R948	ERDS2TJ102T	1K 1/4W [M]	C116	ECFR1C333KR	0.033 16V [M]
R682	ERDS2TJ103T	10K 1/4W [M]	R745	ERJ6GEYJ106A	10M 1/10W [M]	R950	ERDS2TJ103T	10K 1/4W [M]	C117	ECEA1HKM010B	1 50V [M]
R683	ERDS2TJ103T	10K 1/4W [M]	R748	ERJ6GEYJ272A	2.7K 1/10W [M]	R951	ERDS2TJ103T	10K 1/4W [M]	C117	ECFR1C183KR	0.018 16V [M]
R684	ERDS2TJ103T	10K 1/4W [M]	R749	ERJ6GEYJ682A	6.8K 1/10W [M]	R952	ERDS2TJ101T	100 1/4W [M]	C118	ECEA1HKM010B	1 50V [M]
R685	ERDS2TJ103T	10K 1/4W [M]	R752	ERJ8GEYJ220A	22 1/8W [M]	R952	ERDS2TJ821T	820 1/4W [M]	C118	ECFR1C183KR	0.018 16V [M]
R686	ERDS2TJ223T	22K 1/4W [M]	R770	ERJ6GEYJ224A	220K 1/10W [M]	R953	ERDS2TJ103T	10K 1/4W [M]	C119	ECEA1HKA4R7B	4.7 50V [M]
R687	ERDS2TJ102T	1K 1/4W [M]	R901	ERDS2TJ101T	100 1/4W [M]	R953	ERDS2TJ393T	39K 1/4W [M]	C119	ECQP2A391JZT	390P 100V [M]
R688	ERDS2TJ103T	10K 1/4W [M]	R902	ERDS2TJ473T	47K 1/4W [M]	R972	ERDS2TJ821T	820 1/4W [M]	C120	ECEA1CKA100B	10 16V [M]
R689	ERDS2TJ101T	100 1/4W [M]	R903	ERDS2TJ101T	100 1/4W [M]	R973	ERDS2TJ393T	39K 1/4W [M]	C120	ECEA1HKA4R7B	4.7 50V [M]
R690	ERDS2TJ101T	100 1/4W [M]	R904	ERDS2TJ473T	47K 1/4W [M]	R984	ERDS2TJ103T	10K 1/4W [M]	C121	ECEA1HKA010B	1 50V [M]
R691	ERDS2TJ101T	100 1/4W [M]	R905	ERDS2TJ101T	100 1/4W [M]	R985	ERDS2TJ820T	82 1/4W [M]	C121	ECEA1HKAR47B	0.47 50V [M]
R692	ERDS2TJ101T	100 1/4W [M]	R906	ERDS2TJ101T	100 1/4W [M]	R986	ERDS2TJ151T	150 1/4W [M]	C122	ECEA1HKA010B	1 50V [M]
R694	ERDS2TJ152T	1.5K 1/4W [M]	R907	ERDS2TJ104T	100K 1/4W [M]	R987	ERDS2TJ102T	1K 1/4W [M]	C123	ECBT1H102KB5	1000P 50V [M]
R695	ERDS2TJ223T	22K 1/4W [M]	R908	ERDS2TJ101T	100 1/4W [M]				C123	ECEA1HKA010B	1 50V [M]
R696	ERDS2TJ103T	10K 1/4W [M]	R909	ERDS2TJ101T	100 1/4W [M]				C124	ECBT1H101KB5	100P 50V [M]
R697	ERDS2TJ224T	220K 1/4W [M]	R911	ERDS2TJ473T	47K 1/4W [M]				C124	ECBT1H102KB5	1000P 50V [M]
R698	ERDS2TJ104T	100K 1/4W [M]	R912	ERDS2TJ104T	100K 1/4W [M]	C1	ECEA1CKA101B	100 16V [M]	C125	ECEA1CKA220B	22 16V [M]
R699	ERDS2TJ101T	100 1/4W [M]	R913	ERDS2TJ101T	100 1/4W [M]	C1	ECEA1CKA101B	100 16V [M]	C125	ECFR1C473MR	0.047 16V [M]
R701	ERJ6GEYJ4R7A	4.7 1/10W [M]	R914	ERDS2TJ104T	100K 1/4W [M]	C2	ECBT1E103ZF5	0.01 25V [M]	C126	ECBT1H473ZF5	0.047 50V [M]
R702	ERJ6GEYJ822A	8.2K 1/10W [M]	R915	ERDS2TJ101T	100 1/4W [M]	C2	ECBT1E103ZF5	0.01 25V [M]	C126	ECFR1C473MR	0.047 16V [M]

marks	Ref. No.	Part No.	Values & Remarks	Ref. No.	Part No.	Values & Remarks	Ref. No.	Part No.	Values & Remarks	Ref. No.	Part No.	Values & Remarks
[M]	C127	ECBT1C103MS5	0.01 16V [M]	C166	ECEA1CKA100B	10 16V [M]	C223	ECEA1HKA2R2B	2.2 50V [M]	C409	ECEA1HKAR15B	0.15 50V [M]
[M]	C127	ECEA1CKA220B	22 16V [M]	C167	ECEA1HKA0R1B	0.1 50V [M]	C224	ECEA1HKA3R3B	3.3 50V [M]	C410	ECFR1C223KR	0.022 16V [M]
[M]	C128	ECBT1C103MS5	0.01 16V [M]	C168	ECEA1HKA0R1B	0.1 50V [M]	C225	ECEA1HKA3R3B	3.3 50V [M]	C411	ECFR1C393KR	0.039 16V [M]
[M]	C129	ECBT1H821KB5	820P 50V [M]	C169	ECEA1HKA4R7B	4.7 50V [M]	C226	ECFR1C104MR	0.1 16V [M]	C412	ECFR1C223KR	0.022 16V [M]
[M]	C129	ECEA0JKA101B	100 6.3V [M]	C170	ECEA1HKA4R7B	4.7 50V [M]	C227	ECBT1H681KB5	680P 50V [M]	C413	ECBT1C332KR5	3300P 16V [M]
[M]	C130	ECBT1H821KB5	820P 50V [M]	C171	ECEA1CKA100B	10 16V [M]	C228	ECEA1CKA100B	10 16V [M]	C414	ECBT1C222KR5	2200P 16V [M]
[M]	C130	ECEA0JKA101B	100 6.3V [M]	C173	ECBT1C103MS5	0.01 16V [M]	C229	ECBT1H101KB5	100P 50V [M]	C415	ECBT1C272KR5	2700P 16V [M]
[M]	C131	ECBT1H101KB5	100P 50V [M]	C174	ECEA1HKA4R7B	4.7 50V [M]	C230	ECBT1H470J5	47P 50V [M]	C416	ECBT1C152KR5	1500P 16V [M]
[M]	C131	ECBT1H821KB5	820P 50V [M]	C175	ECEA1VU221B	220 35V [M]	C231	ECEA1HKA3R3B	3.3 50V [M]	C417	ECFR1C333KR	0.033 16V [M]
[M]	C132	ECBT1H102KB5	1000P 50V [M]	C176	ECQV1H473JZ3	0.047 50V [M]	C232	ECBT1C332KR5	3300P 16V [M]	C418	ECEA1HKAR15B	0.15 50V [M]
[M]	C132	ECBT1H821KB5	820P 50V [M]	C177	ECBT1H102KB5	1000P 50V [M]	C233	ECEA1HKA010B	1 50V [M]	C419	ECEA1HKAR15B	0.15 50V [M]
[M]	C133	ECBT1H150JC5	15P 50V [M]	C178	ECBT1H102KB5	1000P 50V [M]	C234	ECFR1C683KR	0.068 16V [M]	C420	ECBT1H102KB5	1000P 50V [M]
[M]	C133	ECEA1HKA4R7B	4.7 50V [M]	C179	ECBT1C103MS5	0.01 16V [M]	C235	ECFR1C683KR	0.068 16V [M]	C421	ECFR1C683KR	0.068 16V [M]
[M]	C134	ECBT1H180JC5	18P 50V [M]	C180	ECBT1C103MS5	0.01 16V [M]	C236	ECBT1H101KB5	100P 50V [M]	C422	ECBT1H471KB5	470P 50V [M]
[M]	C134	ECEA1HKA4R7B	4.7 50V [M]	C181	ECBT1C103MS5	0.01 16V [M]	C237	ECBT1H102KB5	1000P 50V [M]	C423	ECEA1HKA2R2B	2.2 50V [M]
[M]	C135	ECBT1H102KB5	1000P 50V [M]	C182	ECEA1HKA4R7B	4.7 50V [M]	C239	ECBT1H102KB5	1000P 50V [M]	C424	ECEA1HKA3R3B	3.3 50V [M]
[M]	C136	ECBT1H102KB5	1000P 50V [M]	C183	ECQV1H474JZ3	0.47 50V [M]	C241	ECBT1H101KB5	100P 50V [M]	C425	ECEA1HKA3R3B	3.3 50V [M]
[M]	C137	ECFR1C472KR	4700P 16V [M]	C184	ECQP1152JZT	1500P 100V [M]	C300	ECBT1E103ZF5	0.01 25V [M]	C426	ECFR1C104MR	0.1 16V [M]
[M]	C138	ECBT1C103KS5	0.01 16V [M]	C185	ECQP2A472JZT	4700P 100V [M]	C301	ECBT1H102KB5	1000P 50V [M]	C427	ECBT1H681KB5	680P 50V [M]
[M]	C139	ECEA1HKA2R2B	2.2 50V [M]	C186	ECEA1AKA470B	47 10V [M]	C303	ECBT1H104ZF5	0.1 50V [M]	C428	ECEA1CKA100B	10 16V [M]
[M]	C139	ECFR1C472KR	4700P 16V [M]	C187	ECBT1H101KB5	100P 50V [M]	C304	ECEA1AM331B	330 10V [M]	C429	ECBT1H101KB5	100P 50V [M]
[M]	C140	ECEA1CKA100B	10 16V [M]	C188	ECBT1H101KB5	100P 50V [M]	C305	ECBT1C152KR5	1500P 16V [M]	C430	ECBT1H470J5	47P 50V [M]
[M]	C141	ECEA1HKA010B	1 50V [M]	C193	ECBT1H102KB5	1000P 50V [M]	C306	ECEA1HKA0R1B	0.1 50V [M]	C431	ECEA1HKA3R3B	3.3 50V [M]
[M]	C141	ECEA1HKA0R1B	0.1 50V [M]	C194	ECBT1H102KB5	1000P 50V [M]	C307	ECBT1H102KB5	1000P 50V [M]	C432	ECBT1C332KR5	3300P 16V [M]
[M]	C142	ECEA1HKA010B	1 50V [M]	C201	ECBT1H101KB5	100P 50V [M]	C311	ECBT1H104ZF5	0.1 50V [M]	C433	ECEA1HKA010B	1 50V [M]
[M]	C142	ECFR1C223KR	0.022 16V [M]	C201	ECEA1CKA101B	100 16V [M]	C312	ECBT1H104ZF5	0.1 50V [M]	C434	ECFR1C473KR	0.047 16V [M]
[M]	C143	ECBT1C472KR5	4700P 16V [M]	C202	ECBT1H101KB5	100P 50V [M]	C313	ECBT1H104ZF5	0.1 50V [M]	C435	ECFR1C473KR	0.047 16V [M]
[M]	C143	ECEA1HKA4R7B	4.7 50V [M]	C202	ECBT1H104ZF5	0.1 50V [M]	C314	ECBT1H151KB5	150P 50V [M]	C436	ECBT1H101KB5	100P 50V [M]
[M]	C144	ECBT1C472KR5	4700P 16V [M]	C203	ECBT1H331KB5	330P 50V [M]	C315	ECBT1H151KB5	150P 50V [M]	C437	ECBT1H102KB5	1000P 50V [M]
[M]	C144	ECEA1HKA4R7B	4.7 50V [M]	C204	ECBT1H221KB5	220P 50V [M]	C316	ECBT1H151KB5	150P 50V [M]	C441	ECBT1H101KB5	100P 50V [M]
[M]	C145	ECEA1CKA100B	10 16V [M]	C204	ECBT1H331KB5	330P 50V [M]	C317	ECEA1HKA010B	1 50V [M]	C504	RCEA1V472B-S	4700P 35V $\Delta$ [M]
[M]	C146	ECEA1CKA100B	10 16V [M]	C205	ECBT1C222KR5	2200P 16V [M]	C318	ECBT1E103ZF5	0.01 25V [M]	C505	RCEA1V562B-S	5600P 35V $\Delta$ [M]
[M]	C147	ECBT1C152KR5	1500P 16V [M]	C206	ECBT1C222KR5	2200P 16V [M]	C319	ECFR1C823MR	0.082 16V [M]	C506	RCEA1V562B-S	5600P 35V $\Delta$ [M]
[M]	C147	ECBT1H102KB5	1000P 50V [M]	C207	ECEA1HKA010B	1 50V [M]	C320	ECBT1E103ZF5	0.01 25V [M]	C507	RCEA1V472B-S	4700P 35V $\Delta$ [M]
[M]	C148	ECBT1C103NS5	0.01 16V [M]	C208	ECFR1C563KR	0.056 16V [M]	C321	ECEA1AKA330B	33 10V [M]	C508	RCEA1E332B-S	3300P 25V $\Delta$ [M]
[M]	C148	ECBT1C152KR5	1500P 16V [M]	C209	ECEA1HKAR15B	0.15 50V [M]	C322	ECFR1C683KR	0.068 16V [M]	C509	ECKR2H103ZF5	0.01 500V [M]
[M]	C149	ECBT1H104ZF5	0.1 50V [M]	C210	ECFR1C223KR	0.022 16V [M]	C323	ECFR1C393KR	0.039 16V [M]	C510	ECKR2H103ZF5	0.01 500V [M]
[M]	C150	ECEA1AKA470B	47 10V [M]	C211	ECFR1C393KR	0.039 16V [M]	C324	ECEA1AKA470B	47 10V [M]	C511	ECKR2H103ZF5	0.01 500V [M]
[M]	C151	ECEA1HKA010B	1 50V [M]	C212	ECFR1C223KR	0.022 16V [M]	C325	ECEA1AKA470B	47 10V [M]	C512	ECEA1CKA101B	100 16V [M]
[M]	C152	ECEA1HKA010B	1 50V [M]	C213	ECBT1C332KR5	3300P 16V [M]	C326	ECBT1C562KR5	5600P 16V [M]	C513	ECKR2H103ZF5	0.01 500V [M]
[M]	C153	ECBT1H102KB5	1000P 50V [M]	C214	ECBT1C222KR5	2200P 16V [M]	C327	ECQV1H154JZ3	0.15 50V [M]	C514	ECEA1AKA330B	33 10V [M]
[M]	C154	ECBT1H102KB5	1000P 50V [M]	C215	ECBT1C272KR5	2700P 16V [M]	C328	ECQV1H124JZ3	0.12 50V [M]	C515	ECEA1JM101B	100 63V [M]
[M]	C155	ECEA1CKA100B	10 16V [M]	C216	ECBT1C152KR5	1500P 16V [M]	C329	ECEA0JKA220B	22 6.3V [M]	C516	ECEA2AM100B	10 100V [M]
[M]	C156	ECEA1CKA100B	10 16V [M]	C217	ECFR1C333KR	0.033 16V [M]	C331	ECEA1HKA4R7B	4.7 50V [M]	C517	ECBT1H473ZF5	0.047 50V [M]
[M]	C161	ECEA1CKA101B	100 16V [M]	C218	ECEA1HKAR15B	0.15 50V [M]	C401	ECBT1H101KB5	100P 50V [M]	C518	ECBT1H473ZF5	0.047 50V [M]
[M]	C162	ECEA1CU471B	470 16V [M]	C219	ECEA1HKAR15B	0.15 50V [M]	C402	ECBT1H101KB5	100P 50V [M]	C519	ECEA1HM100B	10 50V [M]
[M]	C163	ECEA1HKM010B	1 50V [M]	C220	ECBT1H102KB5	1000P 50V [M]	C404	ECBT1H221KB5	220P 50V [M]	C520	ECKR2H103ZF5	0.01 500V [M]
[M]	C164	ECEA1HKM010B	1 50V [M]	C221	ECFR1C683KR	0.068 16V [M]	C407	ECEA1HKA010B	1 50V [M]	C521	ECEA1EKA330B	33 25V [M]
[M]	C165	ECEA1CKA100B	10 16V [M]	C222	ECBT1H471KB5	470P 50V [M]	C408	ECFR1C563KR	0.056 16V [M]	C522	ECEA1EM101B	100 25V [M]

Ref. No.	Part No.	Values & Remarks	Ref. No.	Part No.	Values & Remarks	Ref. No.	Part No.	Values & Remarks	Ref. No.	Part No.	Values & Remarks
C523	ECEA1HKNR47B	0.47 50V [M]	C627	ECBT1E103ZF5	0.01 25V [M]	C712	ECUZ1E104ZFN	0.1 25V [M]	RJ709	ERJ8GEY0R00A	0 1/8W [M]
C524	ECEA1HKA100B	10 50V [M]	C628	ECEA1AKA220B	22 10V [M]	C713	ECUZ1E104MBN	0.1 25V [M]	RJ710	ERJ8GEY0R00A	0 1/8W [M]
C526	ECEA1HM330B	33 50V [M]	C629	ECBT1H331KB5	330P 50V [M]	C714	ECEA0JKA101I	100 6.3V [M]	RJ721	ERJ6GEY0R00A	0 1/10W [M]
C527	ECKR2H103ZF5	0.01 500V [M]	C630	ECBT1H561KB5	560P 50V [M]	C715	ECUZ1H182KBN	1800P 50V [M]	RJ722	ERJ6GEY0R00A	0 1/10W [M]
C528	ECKR2H103ZF5	0.01 500V [M]	C631	ECBT1H561KB5	560P 50V [M]	C716	ECUZ1H821KBN	820P 50V [M]	RJ723	ERJ6GEY0R00A	0 1/10W [M]
C529	ECEA1HM101B	100 50V [M]	C632	ECBT1H101KB5	100P 50V [M]	C717	ECUZ1E104ZFN	0.1 25V [M]	RJ724	ERJ6GEY0R00A	0 1/10W [M]
C530	ECKR2H102ZF5	1000P 500V [M]	C633	ECBT1H101KB5	100P 50V [M]	C718	ECUZ1C224KBN	0.22 16V [M]	RJ725	ERJ6GEY0R00A	0 1/10W [M]
C533	ECEA1HM101B	100 50V [M]	C634	ECEA1VKA220B	22 35V [M]	C721	ECUZ1H150JCN	15P 50V [M]	RJ726	ERJ6GEY0R00A	0 1/10W [M]
C536	ECBT1H150JC5	15P 50V [M]	C635	ECBT1H561KB5	560P 50V [M]	C722	ECUZ1H150JCN	15P 50V [M]	RJ727	ERJ6GEY0R00A	0 1/10W [M]
C537	ECBT1H150JC5	15P 50V [M]	C636	ECBT1H561KB5	560P 50V [M]	C723	ECEA1AKA221I	220 10V [M]	RJ728	ERJ6GEY0R00A	0 1/10W [M]
C540	ECBT1H471KB5	470P 50V [M]	C637	ECBT1H561KB5	560P 50V [M]	C724	ECUZ1E104MBN	0.1 25V [M]	RJ750	ERJ6GEY0R00A	0 1/10W [M]
C541	ECBT1H471KB5	470P 50V [M]	C638	ECBT1H561KB5	560P 50V [M]	C725	ECUZ1H102KBN	1000P 50V [M]			
C542	ECQV1H104JZ3	0.1 50V [M]	C639	ECBT1H101KB5	100P 50V [M]	C726	ECUZ1H102KBN	1000P 50V [M]			TEST JUMPER
C543	ECQV1H104JZ3	0.1 50V [M]	C640	ECBT1H561KB5	560P 50V [M]	C727	ECA1HAK010XI	1 50V [M]			
C544	ECKR2H103ZF5	0.01 500V [M]	C641	ECBT1H561KB5	560P 50V [M]	C728	ECA1HAK010XI	1 50V [M]	TJ701	EYF8CU	TEST JUMPER [M]
C545	ECBT1E103ZF5	0.01 25V [M]	C642	ECEA1CKA100B	10 16V [M]	C730	ECUZ1E104ZFN	0.1 25V [M]			
C546	ECBT1H104ZF5	0.1 50V [M]	C643	ECBT1E103ZF5	0.01 25V [M]	C731	ECEA0JKA221I	220 6.3V [M]			
C547	ECBT1H104ZF5	0.1 50V [M]	C644	ECEA1HKA0R1B	0.1 50V [M]	C732	ECEA0JKA221I	220 6.3V [M]			
C548	ECKR2H103ZF5	0.01 500V [M]	C645	ECEA1HKA0R1B	0.1 50V [M]	C733	ECUZ1E104MBN	0.1 25V [M]			
C550	ECEA2AU100B	10 100V [M]	C647	ECBT1E103ZF5	0.01 25V [M]	C734	ECEA1AKA221I	220 10V [M]			
C551	ECEA1CKA101B	100 16V [M]	C648	ECEA1HKA0R1B	0.1 50V [M]	C735	ECUZ1E104ZFN	0.1 25V [M]			
C553	ECQV1H104JZ3	0.1 50V [M]	C649	ECEA1HKA0R1B	0.1 50V [M]	C736	ECUZ1E104ZFN	0.1 25V [M]			
C554	ECQV1H104JZ3	0.1 50V [M]	C650	ECBT1E103ZF5	0.01 25V [M]	C737	ECUZ1E104ZFN	0.1 25V [M]			
C561	ECBT1H473ZF5	0.047 50V [M]	C651	ECBT1H150JC5	15P 50V [M]	C738	ECUZ1E104MBN	0.1 25V [M]			
C562	ECBT1H473ZF5	0.047 50V [M]	C652	ECBT1H101KB5	100P 50V [M]	C739	ECUZ1H103KBN	0.01 50V [M]			
C563	ECBT1H473ZF5	0.047 50V [M]	C653	ECEA1AM331B	330 10V [M]	C742	ECUZ1E273KBN	0.027 25V [M]			
C564	ECBT1H473ZF5	0.047 50V [M]	C654	ECBT1H180JC5	18P 50V [M]	C743	ECUZ1E104ZFN	0.1 25V [M]			
C592	ECKR2H103ZF5	0.01 500V [M]	C655	ECBT1H101KB5	100P 50V [M]	C744	ECUZ1E183KBN	0.018 25V [M]			
C593	RCEA1C102B-S	1000P 16V [M]	C656	ECBT1H680J5	68P 50V [M]	C745	ECUZ1C473KBN	0.047 16V [M]			
C596	ECKR2H103ZF5	0.01 500V [M]	C657	ECBT1H680J5	68P 50V [M]	C747	ECUV1H221KBN	220P 50V [M]			
C597	ECEA1EKA220B	22 25V [M]	C658	ECEA1HKA010B	1 50V [M]	C749	ECUZ1H222KBN	2200P 50V [M]			
C604	ECBT1E223ZF5	0.022 25V [M]	C659	ECBT1H560J5	56P 50V [M]	C750	ECUZ1E104MBN	0.1 25V [M]			
C606	ECBT1E223ZF5	0.022 25V [M]	C660	ECEA1HKA3R3B	3.3 50V [M]	C751	ECUZ1E104MBN	0.1 25V [M]			
C611	ECBT1H104ZF5	0.1 50V [M]	C661	ECBT1H560J5	56P 50V [M]	C752	ECUZ1H102KBN	1000P 50V [M]			
C612	ECEA1VKA220B	22 35V [M]	C662	ECEA1HKA2R2B	2.2 50V [M]	C753	ECUZ1H471KBM	470P 50V [M]			
C613	ECBT1H681KB5	680P 50V [M]	C663	ECBT1H102KB5	1000P 50V [M]	C754	ECUZ1H471KBN	470P 50V [M]			
C614	ECBT1H681KB5	680P 50V [M]	C664	ECBT1H102KB5	1000P 50V [M]	C761	ECUZ1H471KBN	470P 50V [M]			
C615	ECBT1H101KB5	100P 50V [M]	C665	ECBT1H561KB5	560P 50V [M]	C762	ECUZ1H471KBN	470P 50V [M]			
C616	ECBT1H101KB5	100P 50V [M]	C666	ECBT1H102KB5	1000P 50V [M]						
C617	ECBT1H681KB5	680P 50V [M]	C667	ECBT1H102KB5	1000P 50V [M]			CHIP JUMPER			
C618	ECBT1H681KB5	680P 50V [M]	C668	ECBT1H471KB5	470P 50V [M]						
C619	ECBT1H104ZF5	0.1 50V [M]	C701	ECEA0JKA330I	33 6.3V [M]	RJ701	ERJ6GEY0R00A	0 1/10W [M]			
C620	ECBT1H104ZF5	0.1 50V [M]	C702	ECUZ1E104MBN	0.1 25V [M]	RJ702	ERJ8GEY0R00A	0 1/8W [M]			
C621	ECBT1E103ZF5	0.01 25V [M]	C703	ECEA0JKA101I	100 6.3V [M]	RJ703	ERJ8GEY0R00A	0 1/8W [M]			
C622	ECBT1E103ZF5	0.01 25V [M]	C704	ECUZ1E104MBN	0.1 25V [M]	RJ704	ERJ8GEY0R00A	0 1/8W [M]			
C623	ECBT1H102KB5	1000P 50V [M]	C706	ECUZ1H272KBN	2700P 50V [M]	RJ705	ERJ8GEY0R00A	0 1/8W [M]			
C624	ECEA0JKA101B	100 6.3V [M]	C707	ECUZ1E273KBN	0.027 25V [M]	RJ706	ERJ8GEY0R00A	0 1/8W [M]			
C625	RCEA0J102B-S	1000P 6.3V [M]	C710	ECUV1H151KCN	150P 50V [M]	RJ707	ERJ8GEY0R00A	0 1/8W [M]			
C626	ECBT1H102KB5	1000P 50V [M]	C711	ECUZ1E104ZFN	0.1 25V [M]	RJ708	ERJ8GEY0R00A	0 1/8W [M]			



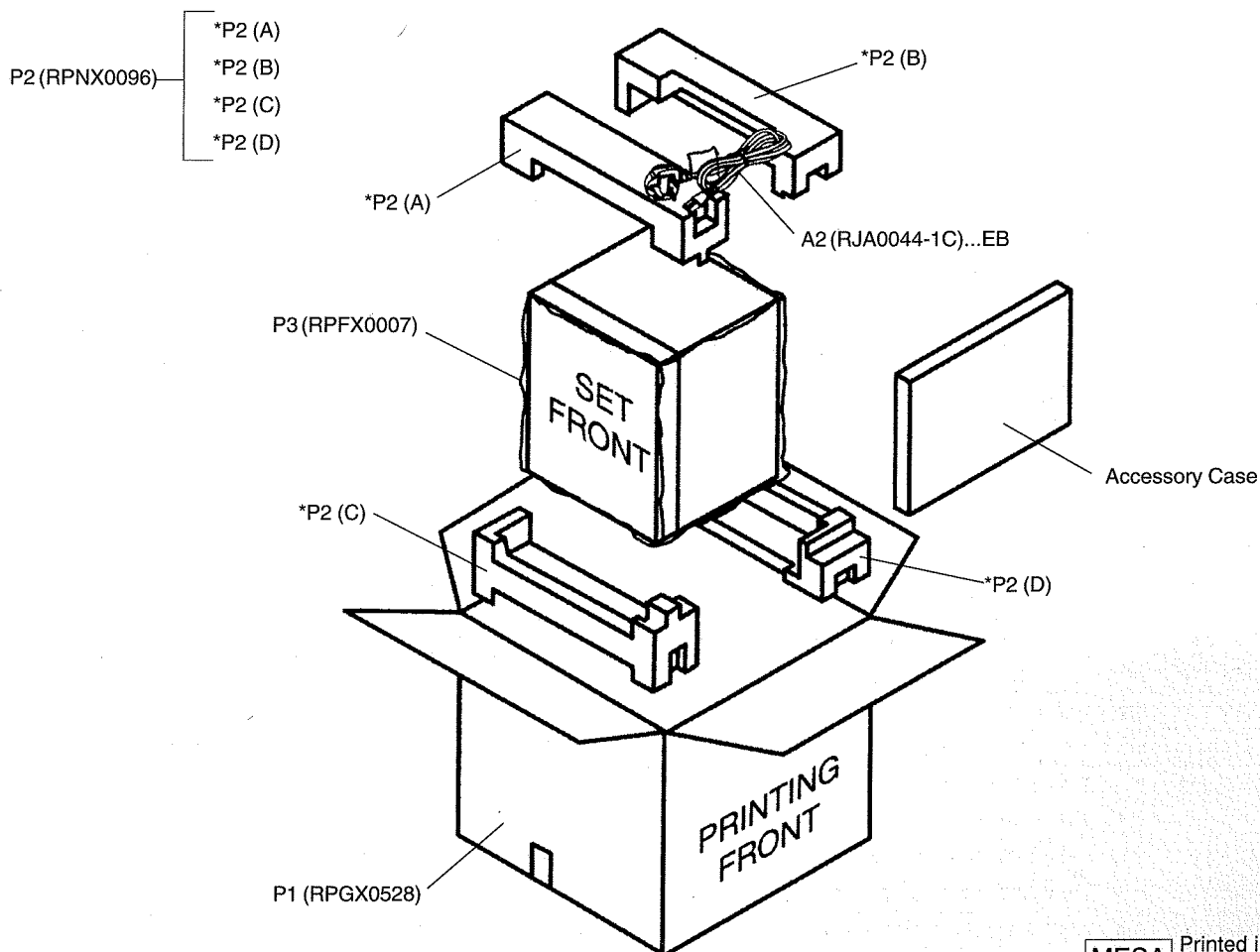
## Packing Materials & Accessories

- Notes: \*
- Important safety notice:  
Components identified by  $\Delta$  mark have special characteristics important for safety. Furthermore, special parts which have purposes of fire-retardant (resistors), high-quality sound (capacitors), low noise (resistors), etc are used.
  - When replacing any of these components, be sure to use only manufacturer's specified parts shown in the parts list.
  - The parenthesized indications in the Remarks columns specify the areas. (Refer to the cover page for area)
  - Parts without these indications can be used for all areas.
  - The "(SF)" mark denotes the standard part.
  - [M] indicates in the Remarks columns indicates parts supplied by **MESA**.
  - [D] indicates in the Remarks columns indicates parts supplied by **MAVD**.
  - Remote Control Unit : Supply period for three years from terminal of production.
  - Reference for O/I book languages are as follows :
 

Ar : Arabic	Cf : Canadian French	Ch : Chinese	Cz : Czech
Du : Dutch	En : English	Fr : French	Ge : German
Ko : Korean	Po : Polish	Ru : Russian	Sp : Spanish
			Da : Danish
			It : Italian
			Sw : Swedish

Ref No.	Part No.	Part Name & Description	Remarks	Ref No.	Part No.	Part Name & Description	Remarks	Ref No.	Part No.	Part Name & Description	Remarks
		<b>PACKING MATERIALS</b>				<b>ACCESSORIES</b>		A3	RQT4706-D	O/I BOOK (Ge/It/Fr)	[D]EG
								A3	RQT4707-H	O/I BOOK (Du/Da)	[D]EG
P1	RPGX0528	PACKING CASE	[D]	A1	RAK-CH944WK	REMOTE CONTROL	[M]	A3	RQT4708-B	O/I BOOK (En)	[D]EB
P2	RPNX0096	POLYFOAM	[D]	A1-1	251200F1F	R/C BATTERY COVER	[M]	A3	RQT5112-R	O/I BOOK (Ru)	[D]E
P3	RPFX0007	MIRAMAT BAG	[M]	A2	RJA0043-1C	AC CORD	[D] $\Delta$ EG,E	A4	RSA0007	FM ANTENNA	[M]
				A2	RJA0044-1C	AC CORD	[D] $\Delta$ EB	A5	RSA0022-L	AM LOOP ANT	[M]
				A3	RQT4704-E	O/I BOOK (En/Sp/Sw)	[D]E	A6	SJP9009	ANT ADAPTER	[M]EB
				A3	RQT4705-R	O/I BOOK (Cz/Po)	[D]E				

## Packaging



**MESA** Printed in Germany  
G990308100 H/K/J/O/L