

Parts List

File No.

Air Conditioner

---

## RoHS

- This product does not contain any hazardous substances prohibited by the RoHS Directive.

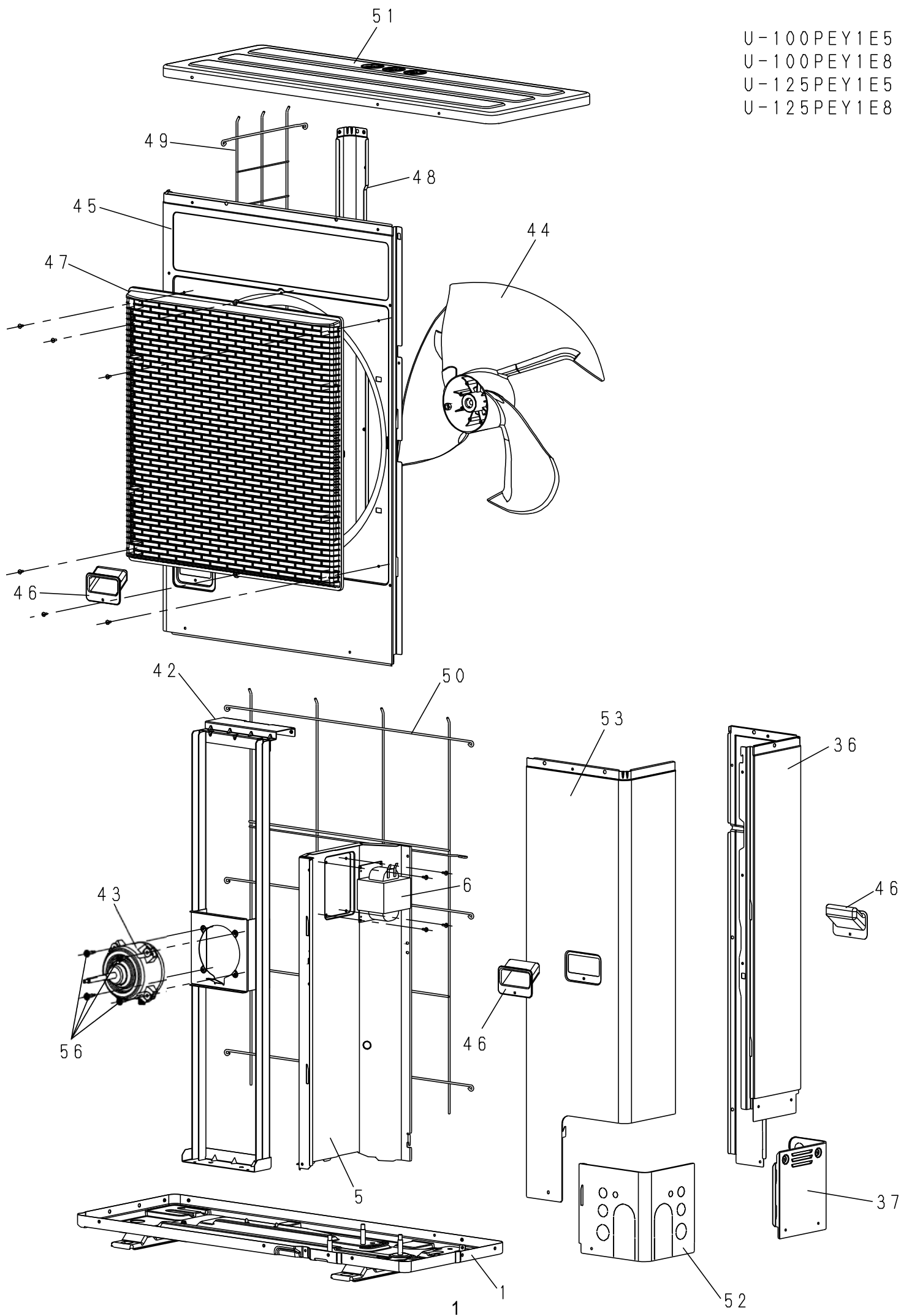
## WARNING

- You are requested to use RoHS compliant parts for maintenance or repair.
- You are requested to use lead-free solder.

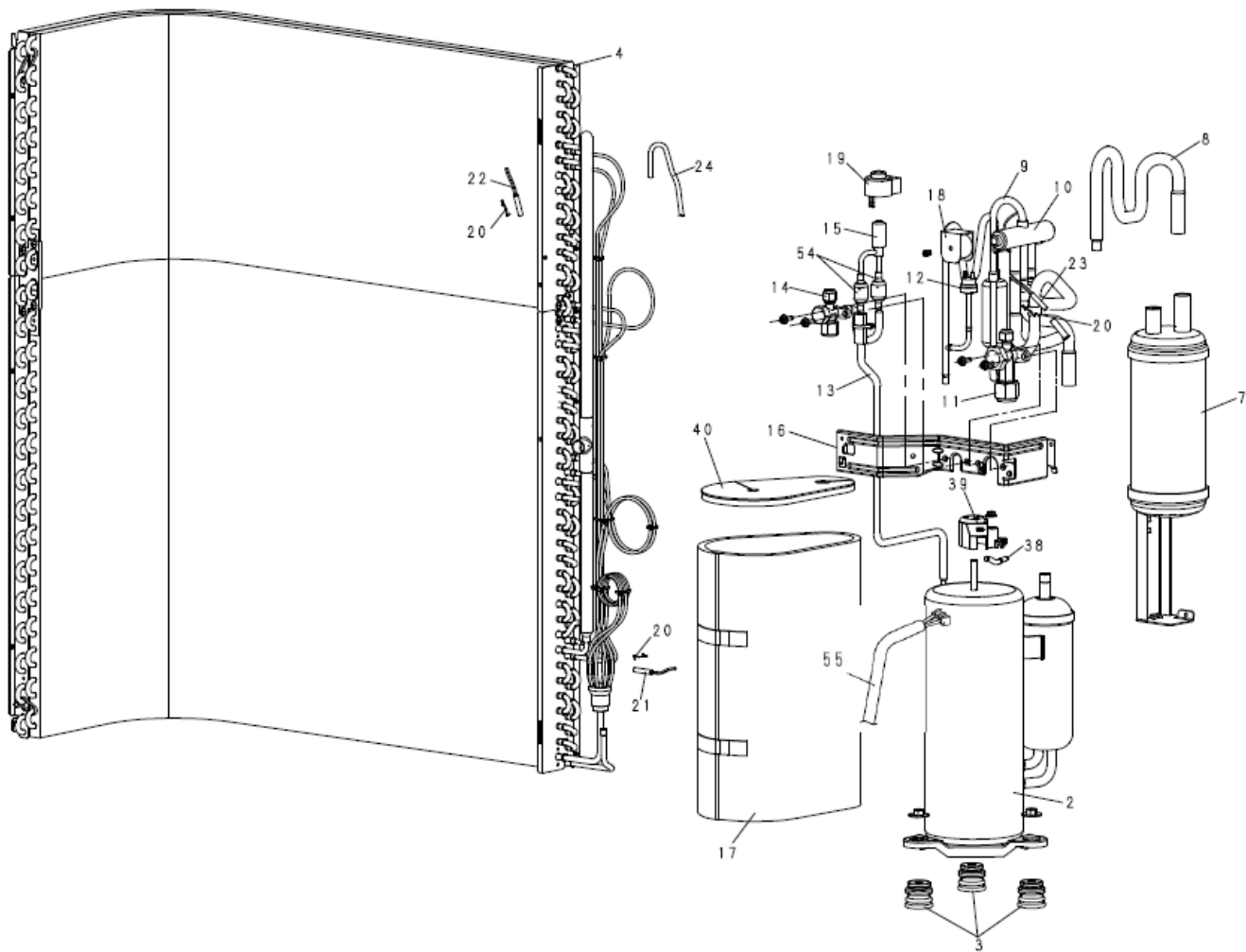
— CONTENTS —

	Model No.	Page
OUTDOOR UNIT	U-100PEY1E5	1
	U-100PEY1E8	1
	U-125PEY1E5	5
	U-125PEY1E8	5

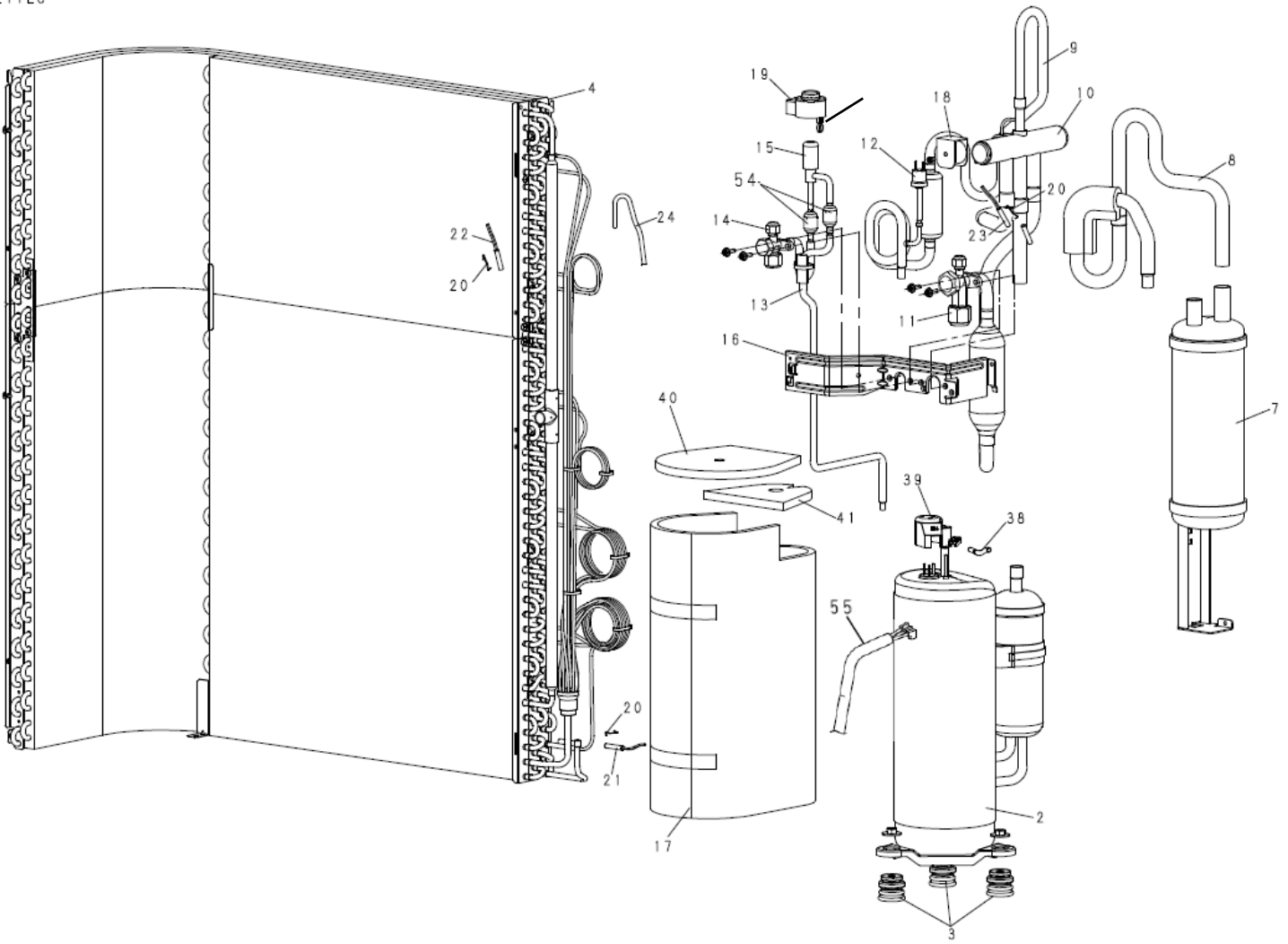
U-100PEY1E5  
U-100PEY1E8  
U-125PEY1E5  
U-125PEY1E8



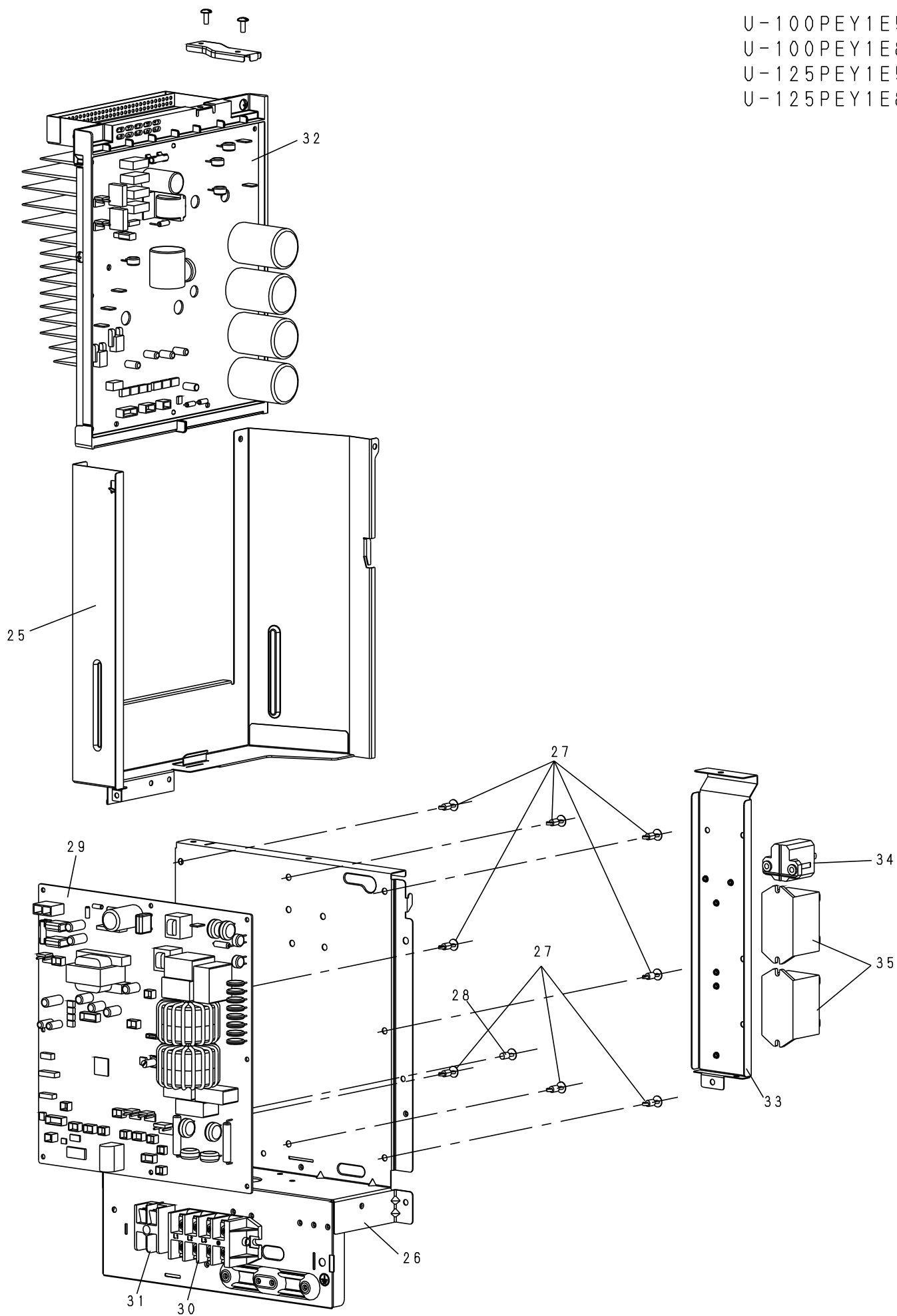
U-100PEY1E5  
U-100PEY1E6



U-125PEY1E5  
U-125PEY1E8



U-100PEY1E5  
U-100PEY1E8  
U-125PEY1E5  
U-125PEY1E8



## ATTENTION!

To ensure correct parts supply, please let us know the following.

Part No. when you make service parts order:

U-100PEY1E5, U-100PEY1E8

1.Part No. 2.Description 3.Q'ty 4.Volts-Hz-Ph 5.Product Model No.

OUTDOOR UNIT

No.	PARTS NAME	Part No.	U-100PEY1E5	U-100PEY1E8	REMARK
1	BASE PAN ASS'Y	CWD52K1288A	1	1	
2	COMPRESSOR	CWB092675	1	-	O
	COMPRESSOR	CWB092693	-	1	O
3	ANTI-VIBRATION BUSHING	CWH50055	3	3	
4	FIN & TUBE CONDENSER COMPLETE	CWB32C3622	1	1	
5	SOUND-PROOF BOARD-COMPLETE	CWH15C1069	1	1	
6	REACTOR	G0C452J00006	1	-	O
	REACTOR	G0C432J00006	-	1	O
7	ACCUMULATOR	CWB131059	1	1	
8	MULTIBENT TUBE	CWT339594	1	1	
9	4-WAYS VALVE COMPLETE	CWB00C1096	1	1	
10	4-WAYS VALVE	CWB001026J	1	1	O
11	3-WAYS VALVE	CWB011680	1	1	
12	PRESSURE SWITCH	CWA101013	1	1	O
13	TUBE ASS'Y	CWT028053	1	1	
14	3-WAYS VALVE	CWB011645	1	1	
15	EXPANTION VALVE	CWB051049	1	1	O
16	PARTICULAR PLATE	CWD912436	1	1	
17	SOUND PROOF MATERIAL	CWG302763	1	1	
18	V-COIL 4WAY VALVE	CWA43C2461	1	1	O
19	V-COIL EEV	CWA43C2467	1	1	O
20	PLATE SPRING	CWH711010	3	3	
21	THERMISTOR C1	CWA50C2878	1	1	O
22	THERMISTOR C2	CWA50C2879	1	1	O
23	THERMISTOR T2	CWA50C2880	1	1	O
24	THERMISTOR TO	CWA50C2843	1	1	O
25	CONTROL BOARD	CWH102477	1	1	
26	CONTROL BOARD ASS'Y	CWH10K1155	1	1	
27	SPACER	CWH541066	8	8	
28	SPACER	CWH541067	5	1	
29	PC BOARD W/COMPONENT MAIN	CWA73C6791	1	-	O
	PC BOARD W/COMPONENT MAIN	CWA73C6838	-	1	O
30	TERMINAL BOARD ASS'Y	CWA28K1302	1	-	O
	TERMINAL BOARD ASS'Y	CWA28K1303	-	1	O
31	TERMINAL BOARD ASS'Y	CWA28K1267	1	1	O
32	PC BOARD W/COMPONENT INVERTER	CWA73C5842	1	-	O
	PC BOARD W/COMPONENT INVERTER	CWA73C6837	-	1	O
33	PARTICULAR PLATE	CWD912304	-	1	

No.	PARTS NAME	Part No.	U-100PEY1E5	U-100PEY1E8	REMARK
34	PTC THERMISTORS	D4DDG1010001	-	1	
35	MAGNET RELAYS (OTHER TERMINAL )	K6C2AYY00002	-	2	O
36	CABINET REAR PLATE-COMPLETE	CWE02C1076	1	1	
37	L-SHAPED PLATE	CWD601247A	1	1	
38	THERMISTOR DISCHARGE	CWA50C2881	1	1	O
39	TERMINAL COVER	CWH171054	1	1	
40	SOUND PROOF MATERIAL	CWG302670	1	1	
42	FAN MOTOR BRACKET ASS'Y	CWD54K1079	1	1	
43	DC MOTORS(DC 280V 90W)	L6CBYYL0082	1	1	O
44	FAN ASS'Y	CWH03K1075	1	1	
45	CABINET FRONT PLATE	CWE061333A	1	1	
46	HANDLE	CWE161021	3	3	
47	DISCHARGE GRILLE	CWE201236	1	1	
48	CABINET SIDE PLATE	CWE041614A	1	1	
49	WIRE NET.RESIN NET	CWD041173A	1	1	
50	WIRE NET.RESIN NET	CWD041174A	1	1	
51	CABINET TOP PLATE-COMPLETE	CWE03C1145	1	1	
52	L-SHAPED PLATE	CWD601248A	1	1	
53	CABINET FRONT PLATE-COMPLETE	CWE06C1448	1	1	
54	STRAINER(DISTRIBUTOR SIDE)	CWB111045	2	2	
55	LEAD WIRE-COMPLETE	CWA68C0863	1	-	
	LEAD WIRE-COMPLETE	CWA68C0988	-	1	
56	SCREW	CWH551216J	4	4	

Note:

All parts are supplied from PAPAGZ, China.  
 "O" marked parts are recommended to be kept in stock.



## ATTENTION!

To ensure correct parts supply, please let us know the following.

Part No. when you make service parts order:

U-125PEY1E5, U-125PEY1E8

1.Part No. 2.Description 3.Q'ty 4.Volts-Hz-Ph 5.Product Model No.

OUTDOOR UNIT

No.	PARTS NAME	Part No.	U-125PEY1E5	U-125PEY1E8	REMARK
1	BASE PAN ASS'Y	CWD52K1331A	1	1	
2	COMPRESSOR	CWB092608	1	-	O
	COMPRESSOR	CWB092662	-	1	O
3	ANTI-VIBRATION BUSHING	CWH50055	3	3	
4	FIN & TUBE CONDENSER COMPLETE	CWB32C3574	1	1	
5	SOUND-PROOF BOARD	CWH151363	1	1	
6	REACTOR	G0C432J00006	-	1	O
	REACTOR	G0C452J00008	1	-	O
7	ACCUMULATOR	CWB131063	1	1	
8	TUBE ASS'Y	CWT029130	1	1	
9	4-WAYS VALVE COMPLETE	CWB00C1094	1	1	
10	4-WAYS VALVE	CWB001046	1	1	O
11	3-WAYS VALVE	CWB011714	1	1	
12	PRESSURE SWITCH	CWA101013	1	1	O
13	TUBE ASS'Y	CWT028842	1	1	
14	3-WAYS VALVE	CWB011645	1	1	
15	EXPANSION VALVE	CWB051067	1	1	
16	PARTICULAR PLATE	CWD912436	1	1	
17	SOUND PROOF MATERIAL	CWG302750	1	1	
18	V-COIL 4WAY VALVE	CWA43C2461	1	1	O
19	V-COIL EEV	CWA43C2375	1	1	O
20	PLATE SPRING	CWH711010	3	3	
21	THERMISTOR C1	CWA50C3007	1	1	O
22	THERMISTOR C2	CWA50C2879	1	1	O
23	THERMISTOR T2	CWA50C2880	1	1	O
24	THERMISTOR TO	CWA50C2843	1	1	O
25	CONTROL BOARD	CWH102512	1	1	
26	CONTROL BOARD ASS'Y	CWH10K1187	1	1	
27	SPACER	CWH541066	8	8	
28	SPACER	CWH541067	5	1	
29	PC BOARD W/COMPONENT MAIN	CWA73C6792	1	-	O
	PC BOARD W/COMPONENT MAIN	CWA73C6839	-	1	O
30	TERMINAL BOARD ASS'Y	CWA28K1302	1	-	O
	TERMINAL BOARD ASS'Y	CWA28K1303	-	1	O
31	TERMINAL BOARD ASS'Y	CWA28K1267	1	1	O
32	PC BOARD W/COMPONENT INVERTER	CWA73C5840	1	-	O
	PC BOARD W/COMPONENT INVERTER	CWA73C6837	-	1	O
33	PARTICULAR PLATE	CWD912389	-	1	

No.	PARTS NAME	Part No.	U-125PEY1E5	U-125PEY1E8	REMARK
34	PTC THERMISTORS	D4DDG1010001	-	1	
35	MAGNET RELAYS (OTHER TERMINAL )	K6C2AYY00002	-	2	O
36	CABINET REAR PLATE-COMPLETE	CWE02C1076	1	1	
37	L-SHAPED PLATE	CWD601247A	1	1	
38	THERMISTOR DISCHARGE	CWA50C2881	1	1	O
39	TERMINAL COVER	CWH171054	1	1	
40	SOUND PROOF MATERIAL	CWG302751	1	1	
41	SOUND PROOF MATERIAL	CWG302776	1	1	
42	FAN MOTOR BRACKET ASS'Y	CWD54K1076	1	1	
43	DC MOTORS(DC 280V 90W)	L6CBYYL0082	1	1	O
44	FAN ASS'Y	CWH03K1075	1	1	
45	CABINET FRONT PLATE	CWE061333A	1	1	
46	HANDLE	CWE161021	3	3	
47	DISCHARGE GRILLE	CWE201236	1	1	
48	CABINET SIDE PLATE	CWE041614A	1	1	
49	WIRE NET.RESIN NET	CWD041173A	1	1	
50	WIRE NET.RESIN NET	CWD041174A	1	1	
51	CABINET TOP PLATE-COMPLETE	CWE03C1145	1	1	
52	L-SHAPED PLATE	CWD601248A	1	1	
53	CABINET FRONT PLATE-COMPLETE	CWE06C1448	1	1	
54	STRAINER(DISTRIBUTOR SIDE)	CWB111052	2	2	
55	LEAD WIRE-COMPLETE	CWA68C0863	1	-	
	LEAD WIRE-COMPLETE	CWA68C0988	-	1	
56	SCREW	CWH551216J	4	4	

Note:

All parts are supplied from PAPAGZ, China.  
 "O" marked parts are recommended to be kept in stock.