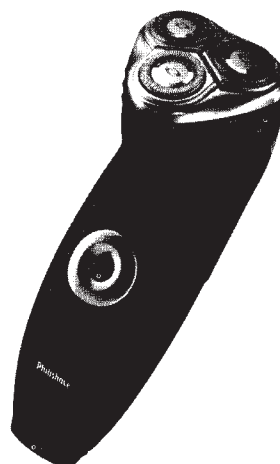


Service
Service
Service



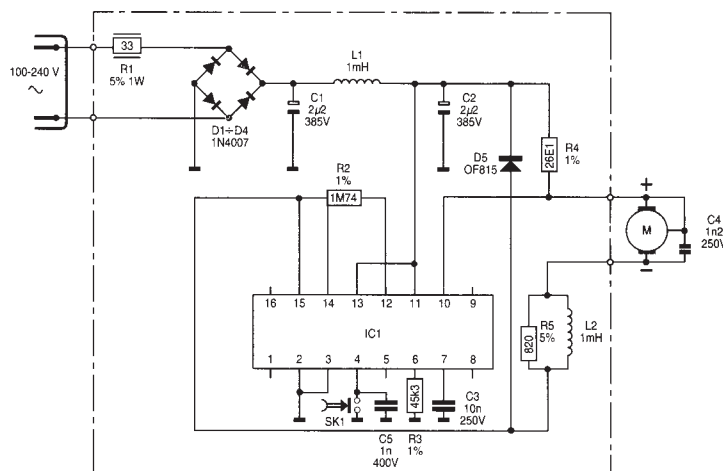
REFLEX ACTION

Domestic Appliances and Personal Care

Service Manual

HINTS FOR REPAIRS

- Remove the shaving unit, to prevent damages during repairs.
- Remove screws A1 (2x, of which 1 is under trimmer slide).
- Remove the covers (item 19 and item 18) from the shaver.
- To remove the trimmer, first disassemble the trimmer slide by pushing down the locking pegs (2x "X" in exploded view) and move the slide slightly outwards.
- Make room between trimmer and cover with a small screwdriver ("Y" in exploded view).
- Remove screws B1 (2x) and holder (item 17).
- The PC-board with motor and hairchamber can now be removed from the housing.
- Detach the motor clamping springs (item 13) on the bearing block with a small screwdriver.



TECHNICAL DATA

Voltage	: 100-240 V 50/60Hz
Power consumption	: Motor depending
Motor voltage	: 54 V ...
Power supply	: SMPS
Speed of cutters	: > 2100 r.p.m.
Shaving heads	: HQ5 - 4822 690 30481
Comfort control	: 9 settings

MSH CODING
8855 465 00000 HQ 5465

CAUTION!
WHILE CHECKING THE P.C.-BOARD REMEMBER
THAT MOST COMPONENTS AND MOTOR ARE
ENERGIZED BY MAINS VOLTAGE.

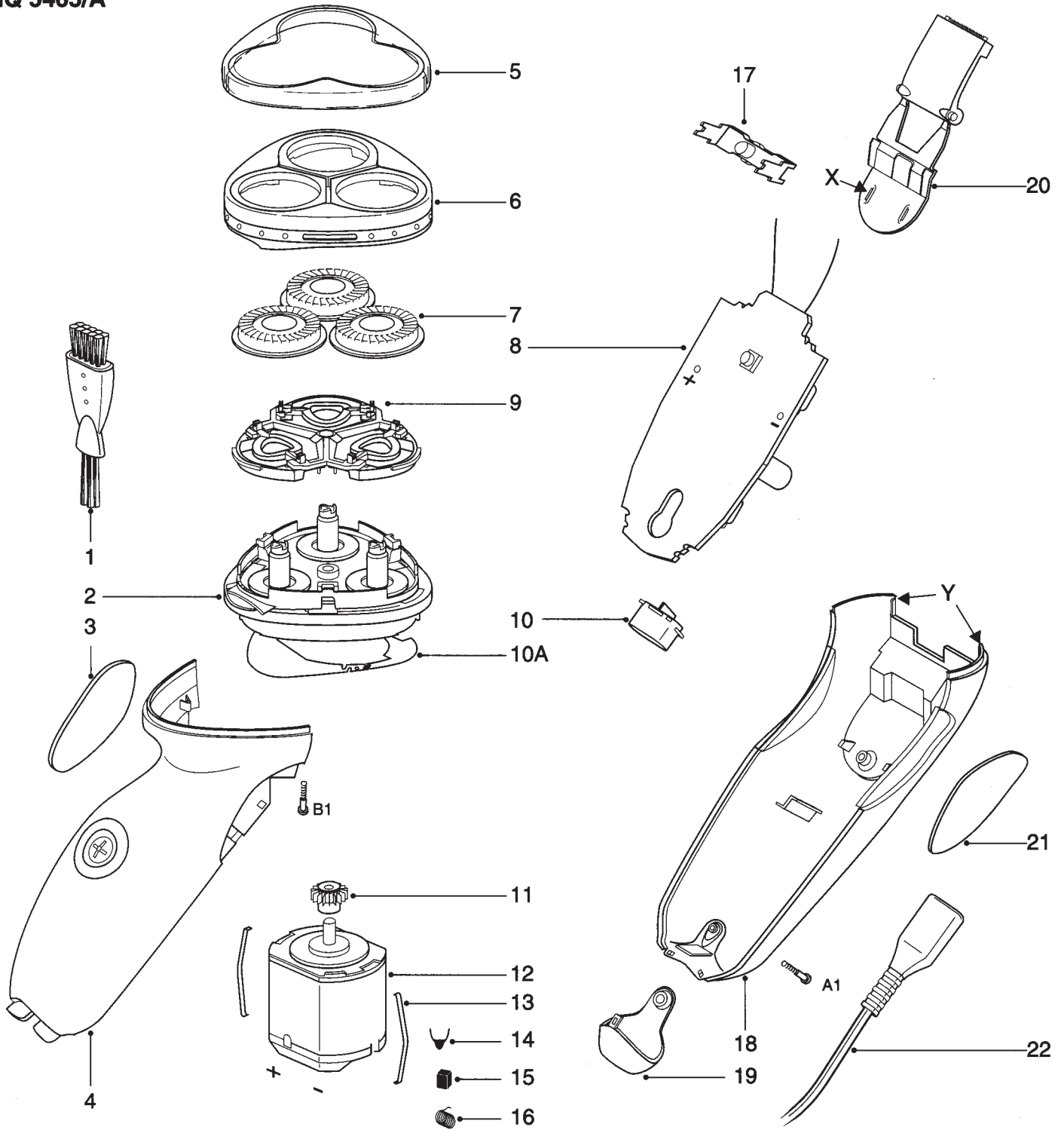
GENERAL

The functions of the SMPS-unit (Switched Mode Power Supply) are the following:

- a. Changes the connected mains voltage into a DC voltage for the supply of the motor through a switching transistor (incorporated in IC1).
- b. Controls the average supply voltage of the motor so that the rpm remains constant with a heavier load (e.g. due to heavy beard or polluted shaving heads.)
- c. When the motor is blocked, it limits the current flowing through the motor.
- d. Prevents the SMPS-unit from being damaged in case of a short circuit.



PHILIPS



- 1 4822 479 30183 cleaning brush
- 2 4822 522 10512 hair chamber complete
- 3 see item 21
- 4 4822 441 11584 housing
- 5 4822 441 11578 protecting cap

- 6 4822 441 11582 adj. head housing
- 7 4822 690 30481 HQ5 shaving head
- 8 4822 214 70621 power supply
- 9 4822 404 40855 retaining bracket
- 10 4822 268 10348 inlet

- 10A 4822 466 10937 sealing plate
- 11 4822 522 33605 pinion
- 12 4822 361 30455 motor
- 13 4822 492 71735 motor clamp
- 14 4822 122 31177 capacitor

- 15 4822 362 40181 carbon brush
- 16 4822 492 62703 contact spring
- 17 4822 256 92352 holder
- 18 4822 441 11583 cover
- 19 4822 441 11579 inlet cover

- 20 4822 690 30479 trimmer
- 21 4822 441 11581 side panel (set)
- 22 4822 321 10095 flex EU
- 4822 321 10096 flex GB
- 4822 321 10097 flex CDN

- 4822 321 10148 flex AUS/NZ
- 4822 321 10344 flex USA

- A 4822 502 30785 orn.screw 1.8x10/T8
- B 4822 502 30526 s.t.screw 1.8x10/T8