



Philips Domestic Appliances and Personal Care

# Service Manual

## PRODUCT INFORMATION

### General:

- Rechargeably / Mains operation
- World-wide automatic voltage selection
- Electronic on/off button
- Washable

### Safety information

- This product meets the requirements regarding interference suppression on radio and TV.
- After the product has been repaired, it should function properly and has to meet the safety requirements as officially laid down at this moment.

## TECHNICAL INFORMATION

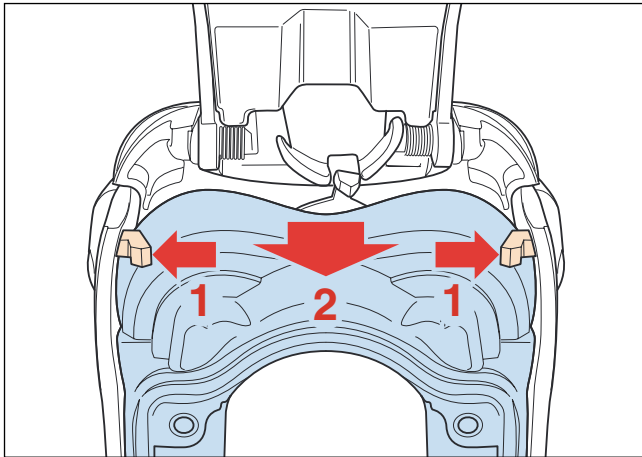
- Voltage : 100 - 240 Volt / 50- 60 Hz
- Motor voltage : 3,6 Volt
- Shaving heads : HQ9 - 4222 036 11150
- Battery : Li-ion
- SAP coding : HQ9140

## DISASSEMBLY- AND RE-ASSEMBLY ADVICE

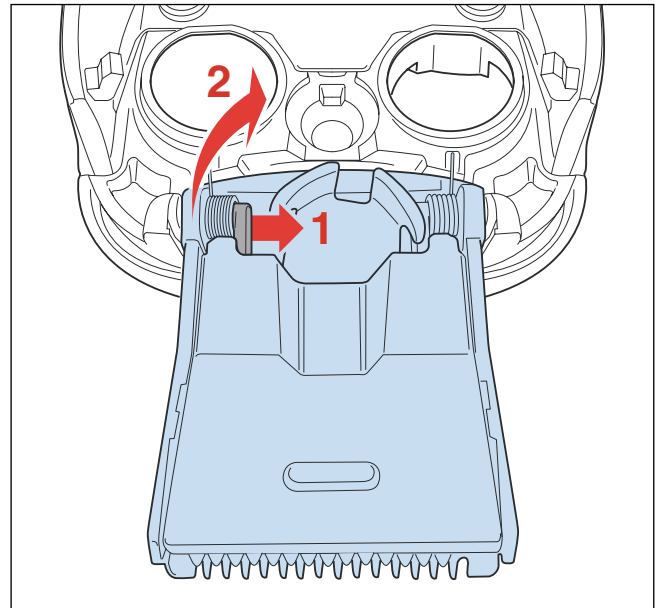
# HQ9140

### Disassembly:

- Remove shaving unit, to prevent damaging during repairing.
- Remove the two screws (A) on the backside of the shaver.
- Remove the three screws (B) from the innerhousing.
- Remove the mains from the motor by turning and pulling the wires out of the motor.
- Remove the two screws (C) for the hairchamber.



- Bent the sideflaps outside and remove the hairchamber. Think by placing this sideflaps on the nocks.
- Remove driving unit.



- Remove the trimmer from the hairchamber by pushing the black nock by a small screwdriver inside the spring, to the inside.

## REPAIR INSTRUCTION

- No specific issues

### OPTIONAL (accessories)

- Pouch : 4222 036 11540
- Stand : 4222 036 11030
- Car cord : 4222 036 08920

## PARTS LIST

Pos	Service code	Description
1	4222 036 11390	Housing shell assy
2	4222 036 11030	Stand
3	4222 036 04080	Power plug EUR
	4222 036 04090	Power plug GBR
	4222 036 05110	Power plug Can/Tw/Ven
4	4222 036 11100	Protection cap Quasar
5	4222 036 11110	Bracket assy
6	4222 036 02770	Brush
7	4222 036 11150	Shaving head 9-series
8	4222 036 11200	Power supply
9	4222 036 11220	Holder assy
10	4222 036 11230	Contour following pin

Pos	Service code	Description
11	4222 036 11240	Sidegrip assy
12	4222 036 11250	Driving unit 3,6 V
13	4222 036 11270	Trimmer assy
14	4222 036 11280	Spacer Li-ion A
15	4222 036 11290	Li-ion battery
16	4222 036 11300	Inlet connector BB
17	4222 036 11330	Cover assy
18	4222 036 11470	Cover shell
A	4822 502 14545	Screw
B	4222 036 11480	Screw (BBM)
C	4222 036 11490	Screw
	4222 036 11550	Pouch
	4222 036 10860	Clock

