

1

2

3

Exterior

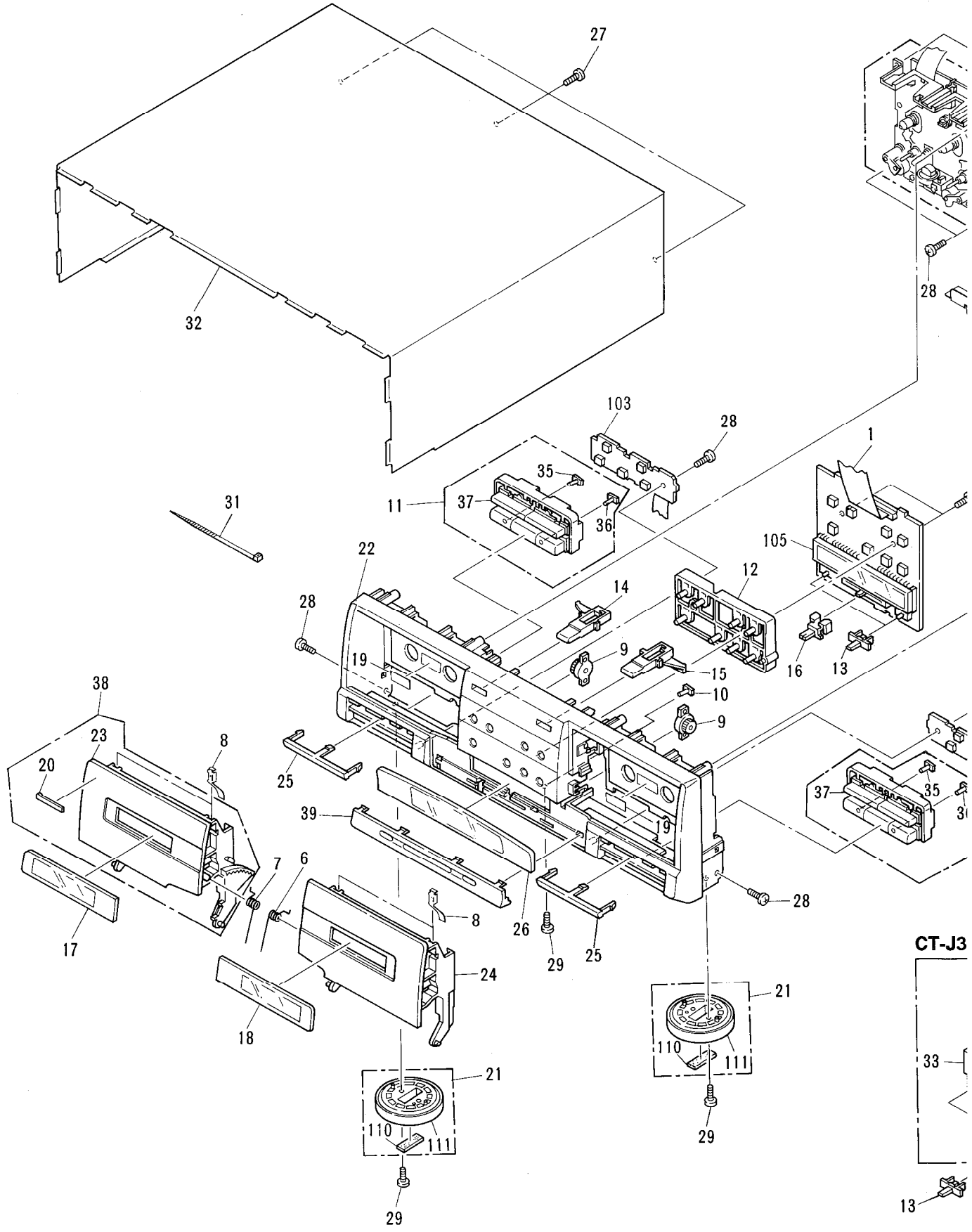
NOTE: Screws adjacent to ▼ mark on the product are used for disassembly.

A

B

C

D

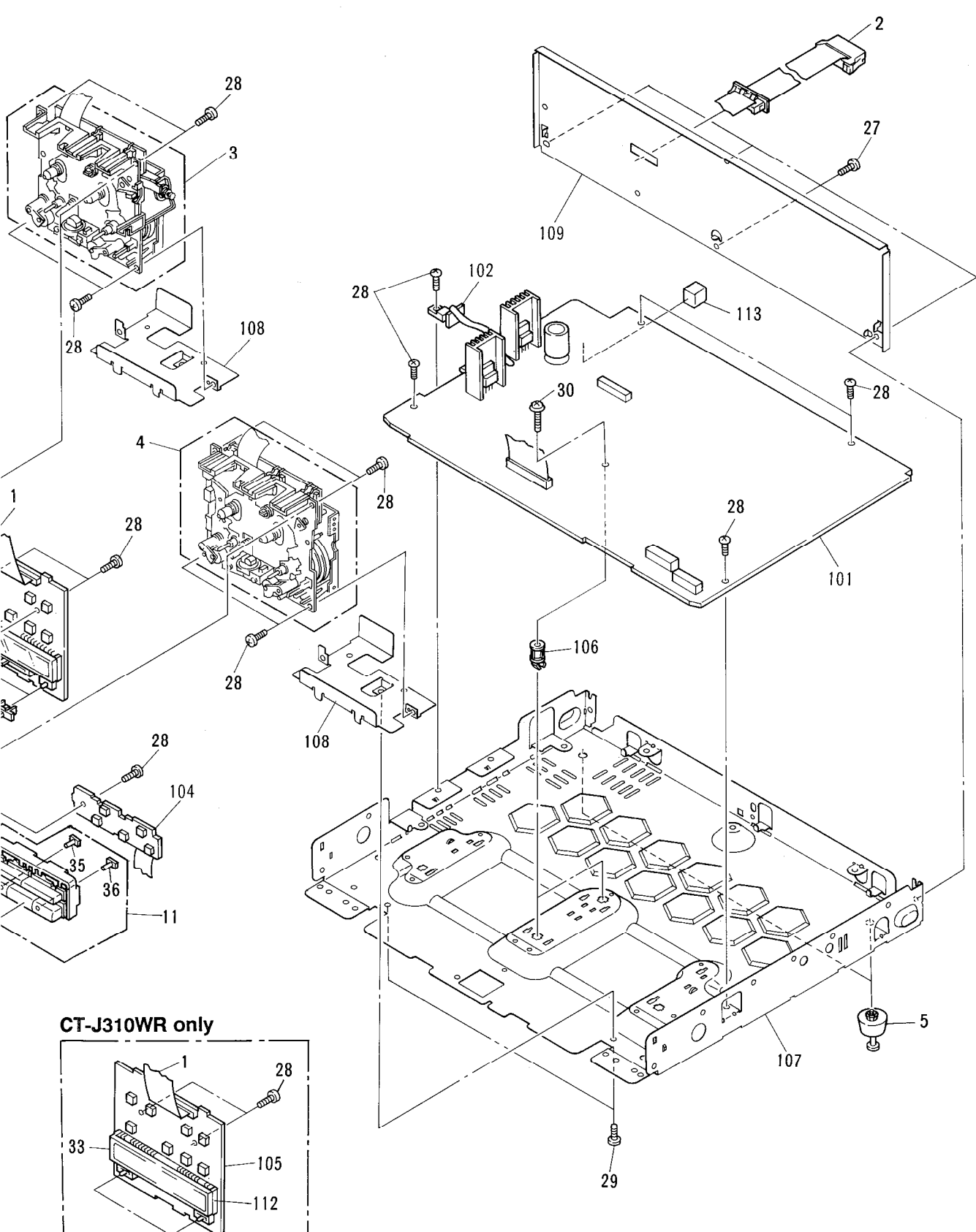


CT-J3

1

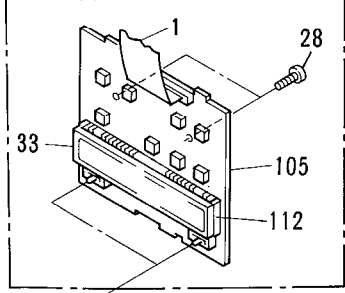
2

3



A
—
B
—
C
—
D

CT-J310WR only



4

5

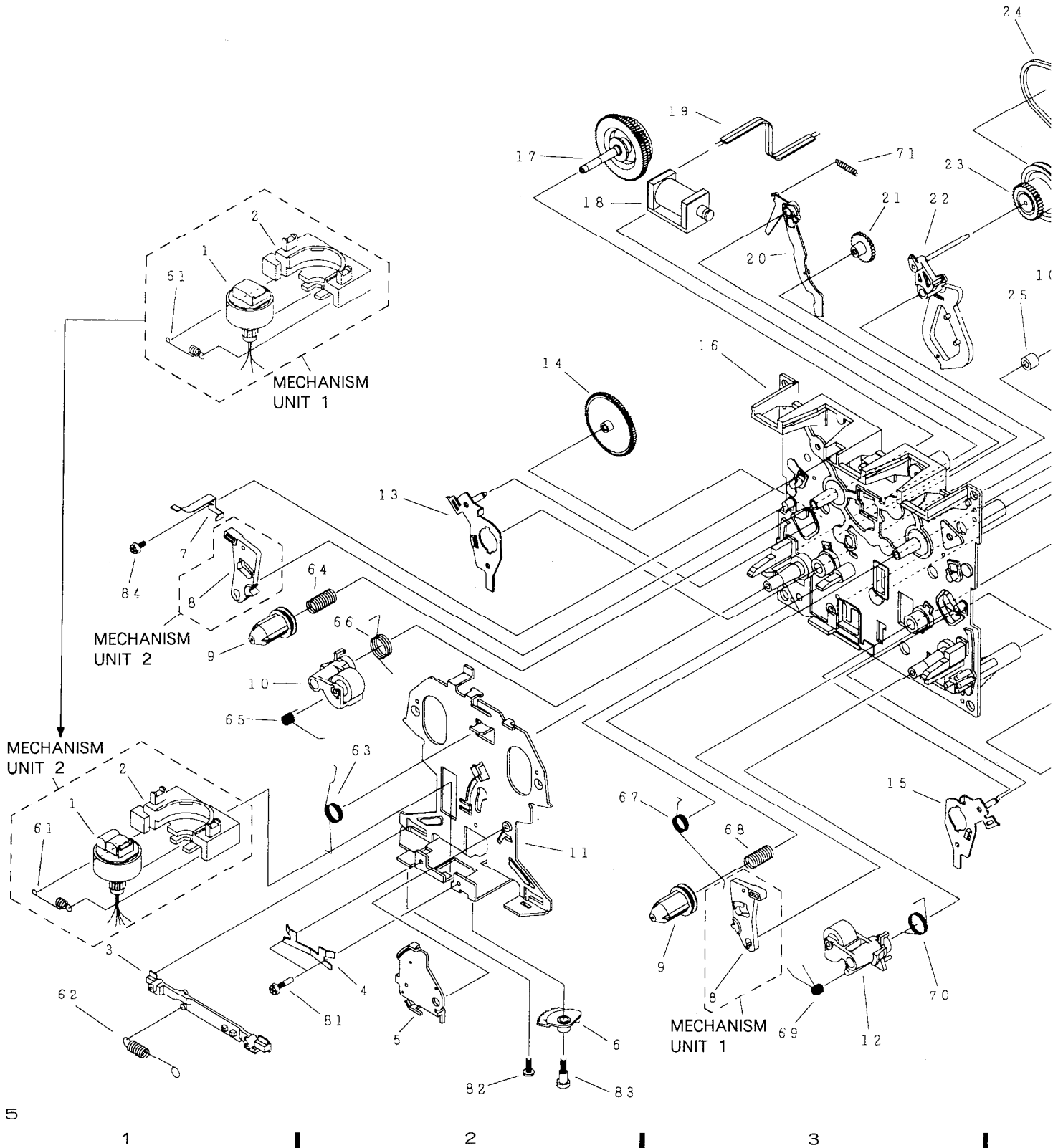
4

5

6

1.2 MECHANISM UNIT 1 (RYM1191): CT-J410WR and CT-J310WR
MECHANISM UNIT 2 (RYM1192): CT-J410WR
MECHANISM UNIT 2 (RYM1193): CT-J310WR

Note: As for difference between RYM1192 and RYM1193 of mechanism unit 2, RYM1193 is not provided with metal SW.



MECHANISM UNIT 2

MECHANISM UNIT 1

MECHANISM UNIT 1

MECHANISM UNIT 2

