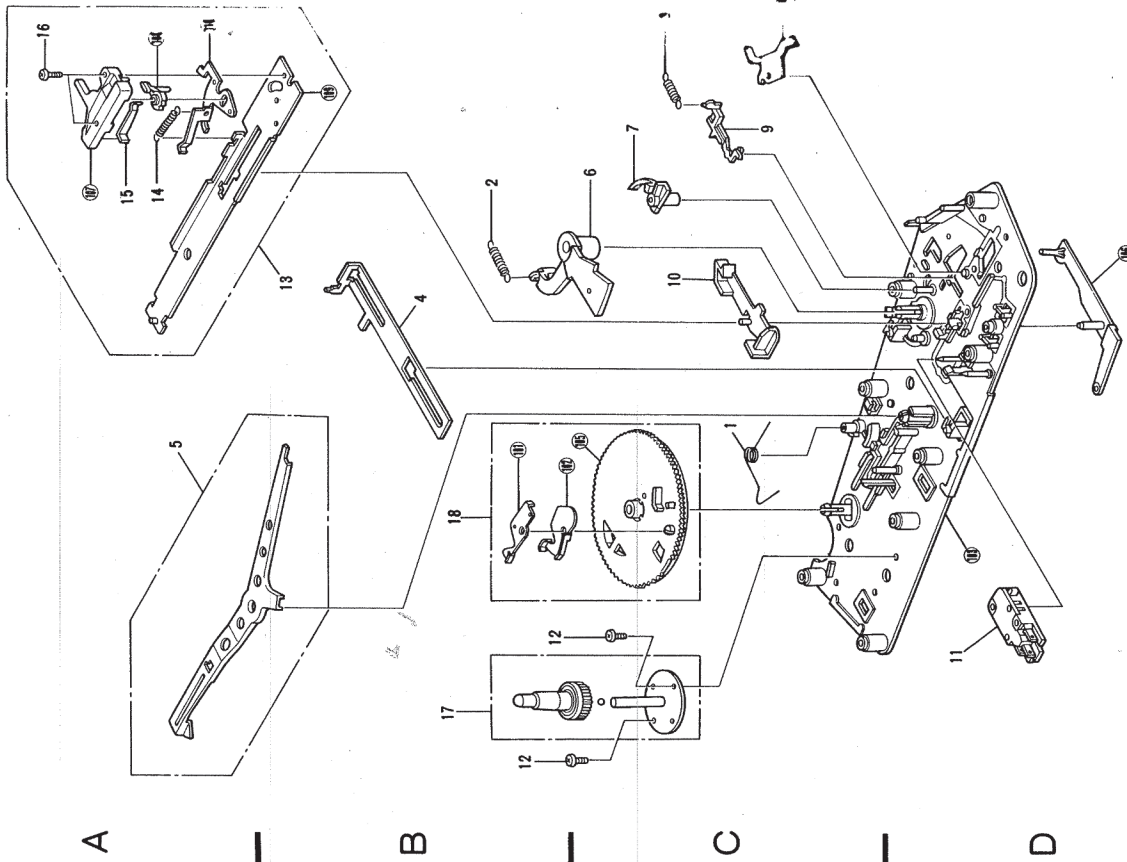


PL-590
3.2 SUB-PANEL ASSEMBLY

3

2

1



3

2

1

6

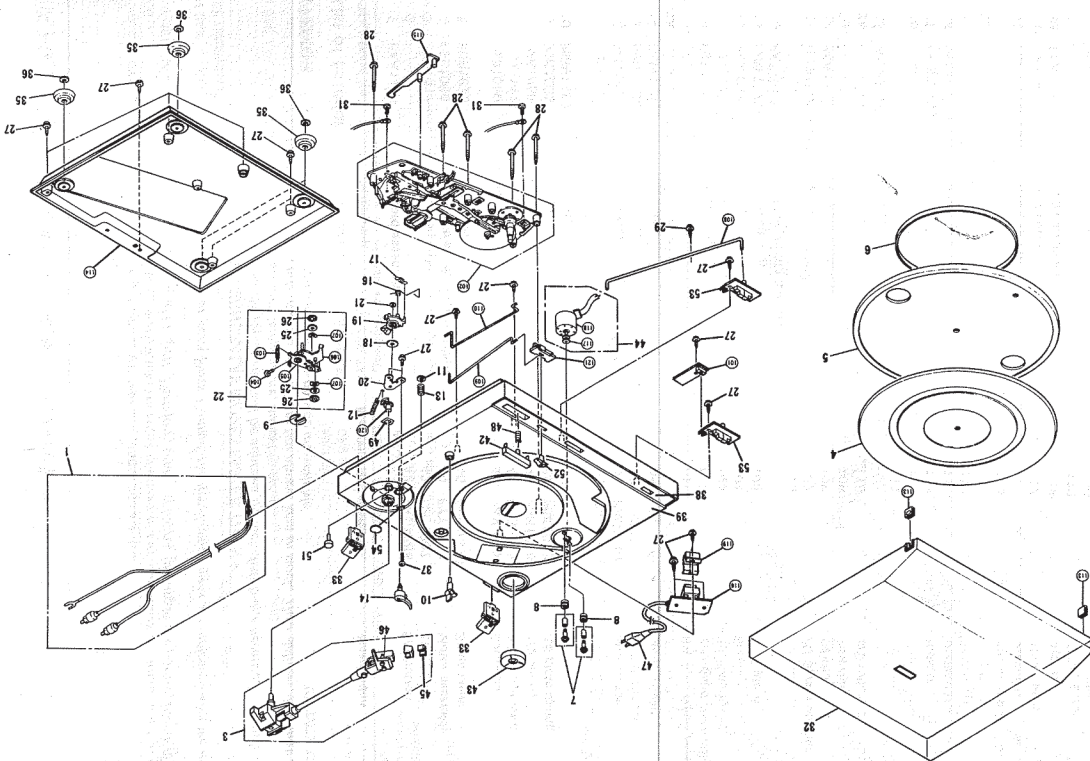
5

4

3

2

1



EXTERIOR

PL-59

6

5

4

3

2

1