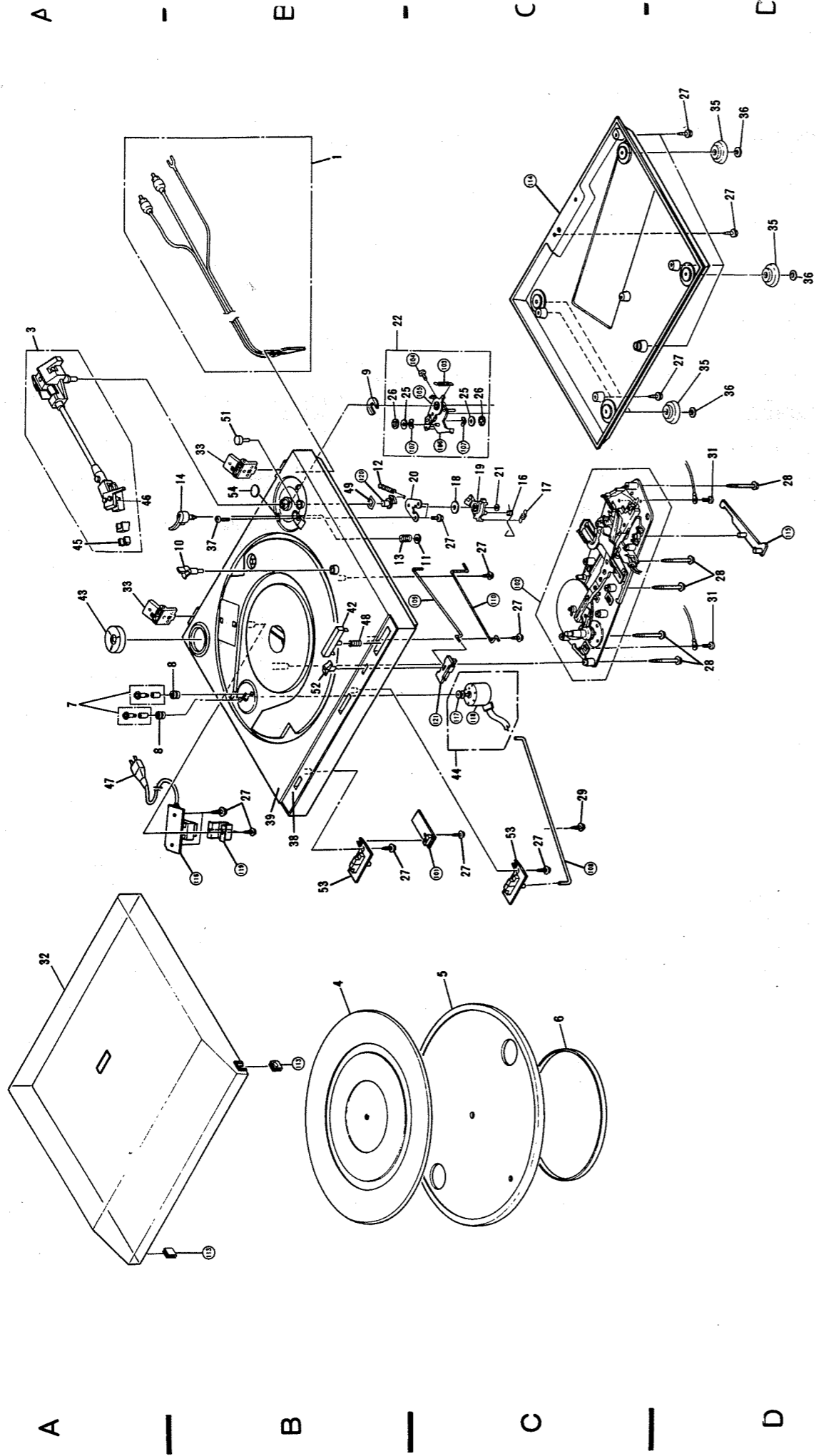


EXTERIOR



3.2 SUB-PANEL ASSEMBLY

A

B

C

D

