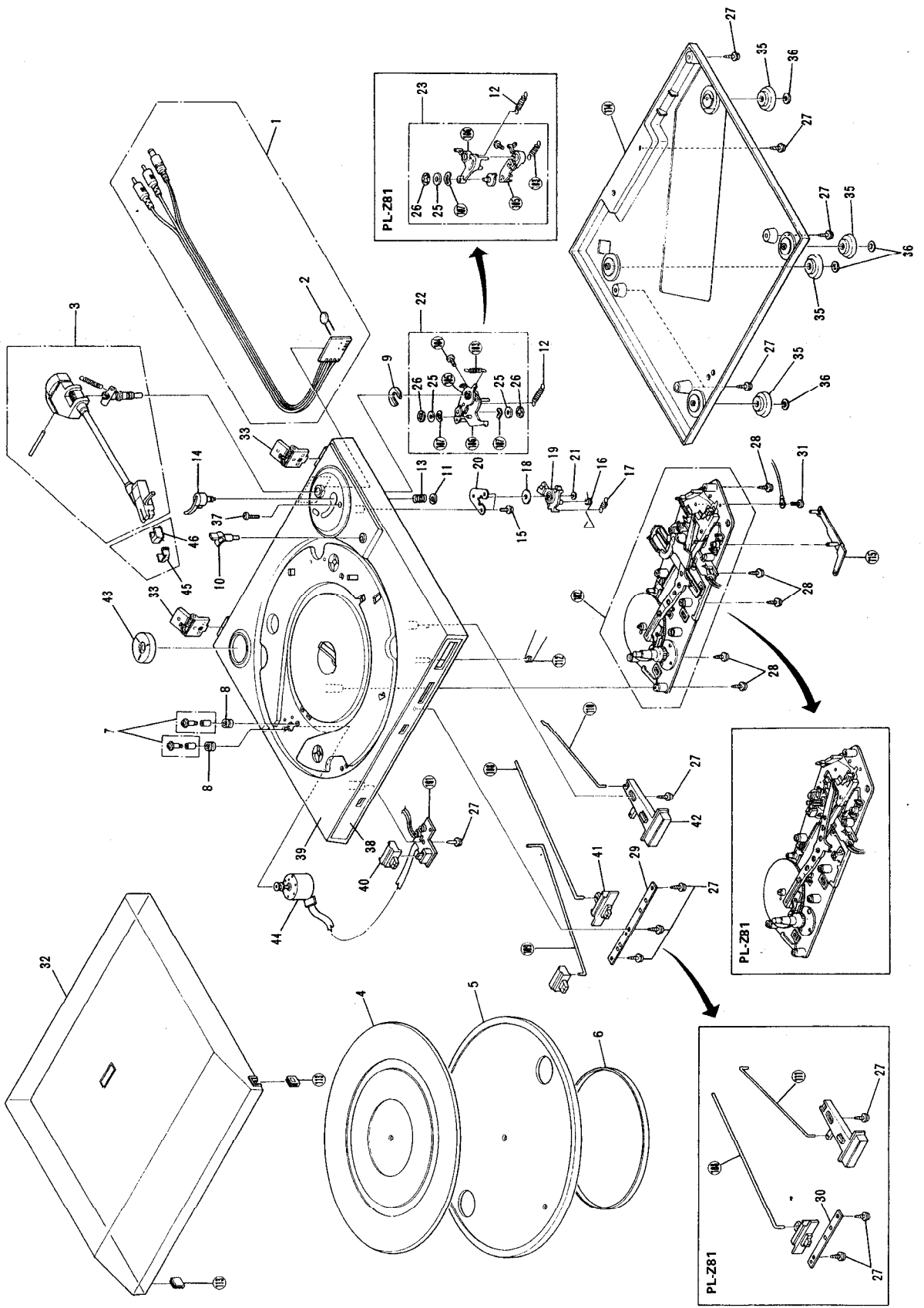


EXTERIOR



A

B

C

D

1

2

3

4

5

1

2

3

4

5

6

- ④② EP adaptor
- ④③ Platter shaft
- ④④ Platter mat
- ④⑤ Platter
- ④⑥ Dust cover
- ④⑦ Arm rest
- ④⑧ Tonearm
- ④⑨ Cartridge

⑤① SPEED switch

Set this switch in accordance with the speed of the record.
33: For 33-1/3 rpm records. 45: For 45 rpm records.

⑤① DISC SIZE switch (only PL-Z91)

Set this switch in accordance with the size of the record.
30: For 30 cm LP records. 17: For 17 cm EP records.

⑤② PLAY/STOP switch (only PL-Z91)

Press this switch when starting auto play or when stopping play.

NOTE:

Be sure to press the switch firmly when starting playback; if not pressed firmly, the platter may rotate without the tonearm moving.

⑤③ CUT switch (only PL-Z81)

Press this switch when stopping play.

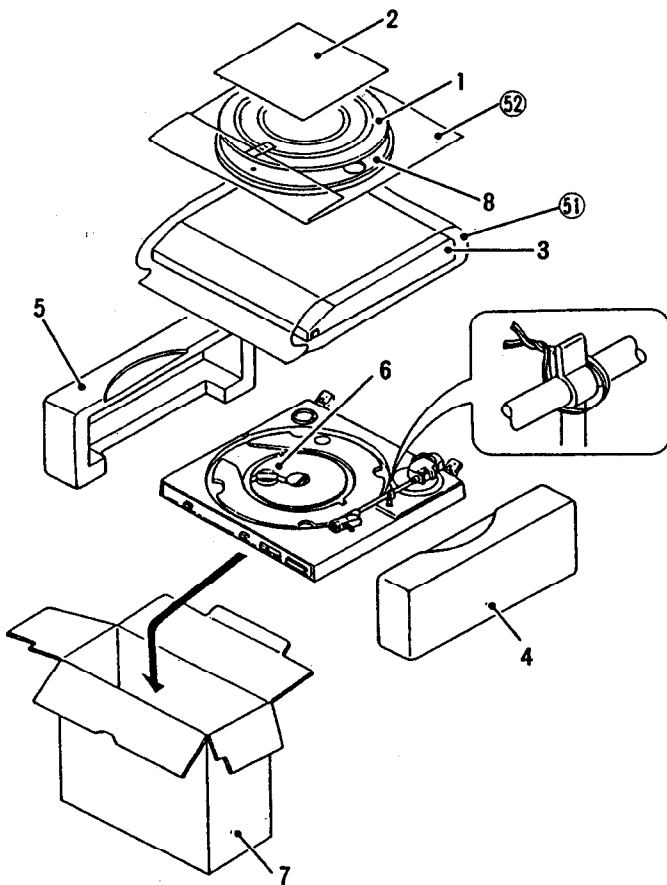
⑤④ ARM ELEVATION switch

- Use the switch for manual play.
- Use the switch to suspend record play temporarily.
- Use the switch when changing the tracks during actual play.

[UP]: The tonearm rises (the stylus moves away from the record).

[DOWN]: The tonearm descends (the stylus is lowered onto the record).

3. PACKING



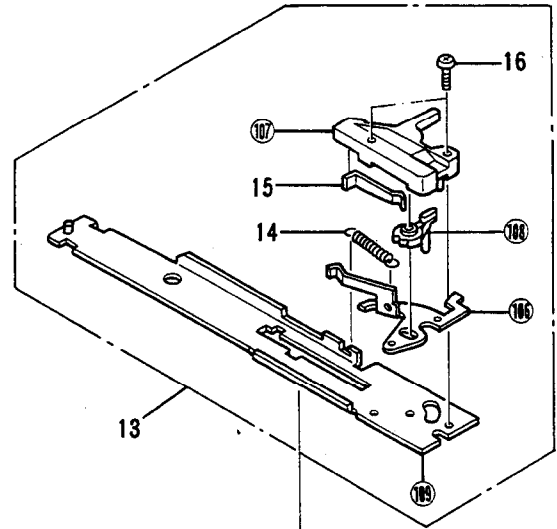
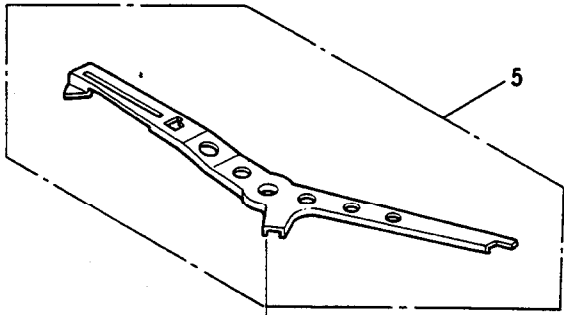
Parts List of Packing (PL-Z91 and PL-Z81)

Mark	No.	Part No.	Description
	1.	PEB1059	Turntable sheet
	2.	PRH1007	Operating instructions
	3.	PNV1008	Dust cover
	4.	PHA1045	Protector (R)
	5.	PHA1046	Protector (L)
	6.	PEC1002	45 adaptor
	7.	PHG1163	Packing case (For PL-Z91)
		PHG1158	Packing case (For PL-Z81)
	8.	PNR1020	Turntable
	51.		Mirror mat
	52.		Vinyl bag

5.3 SUB-PANEL ASSEMBLY (PL-Z81)

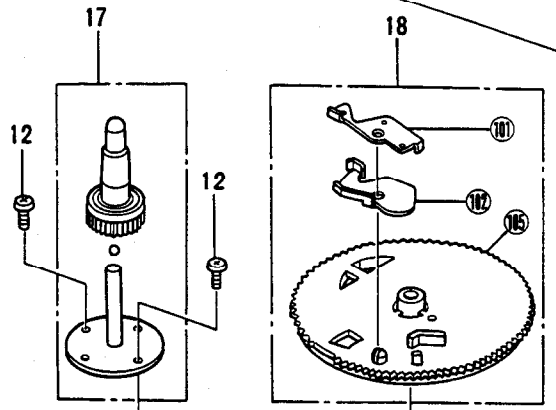
A

A



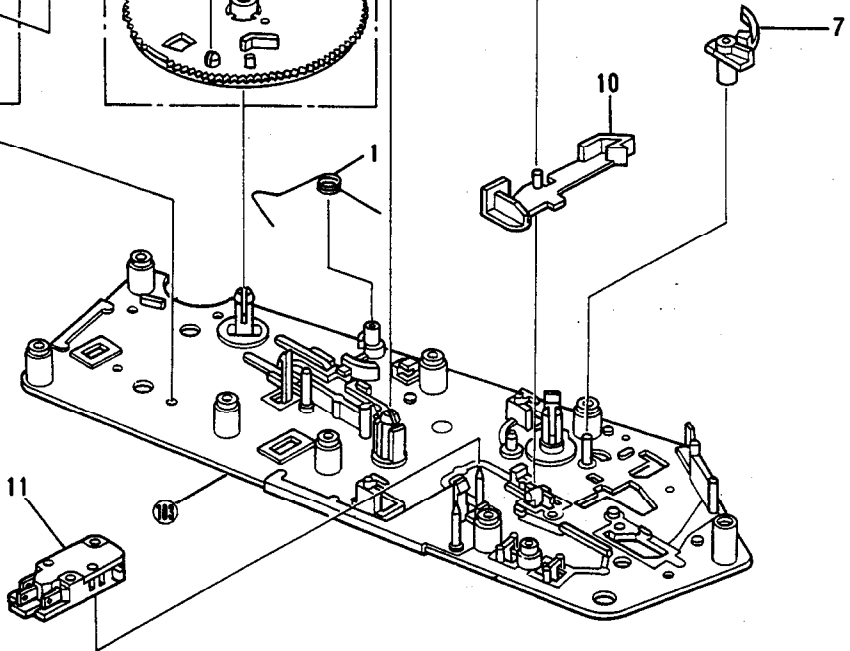
B

B



C

C



D

D

1

2

3