

1

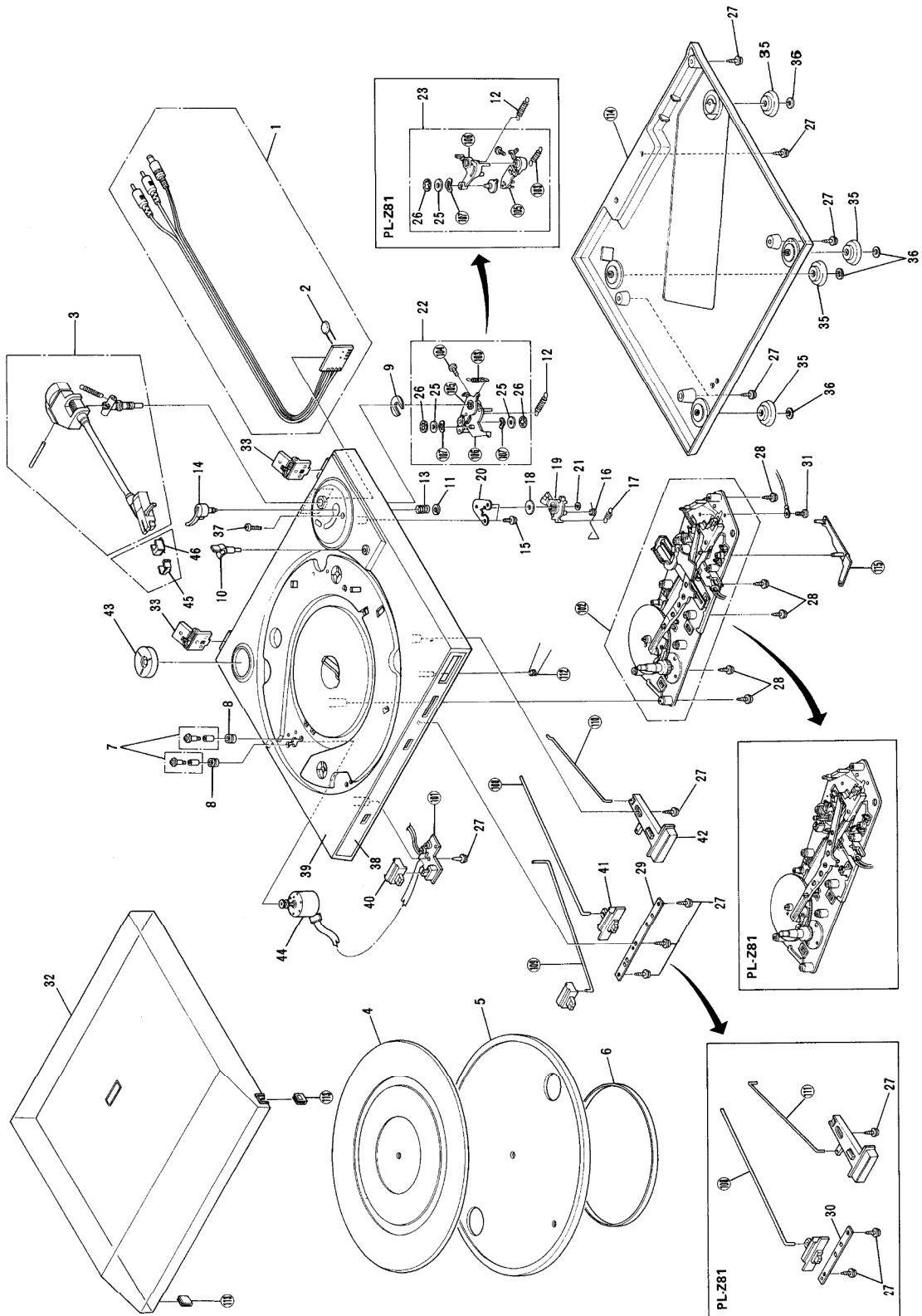
2

3

4

5

EXTERIOR



A

B

C

D

1

2

3

4

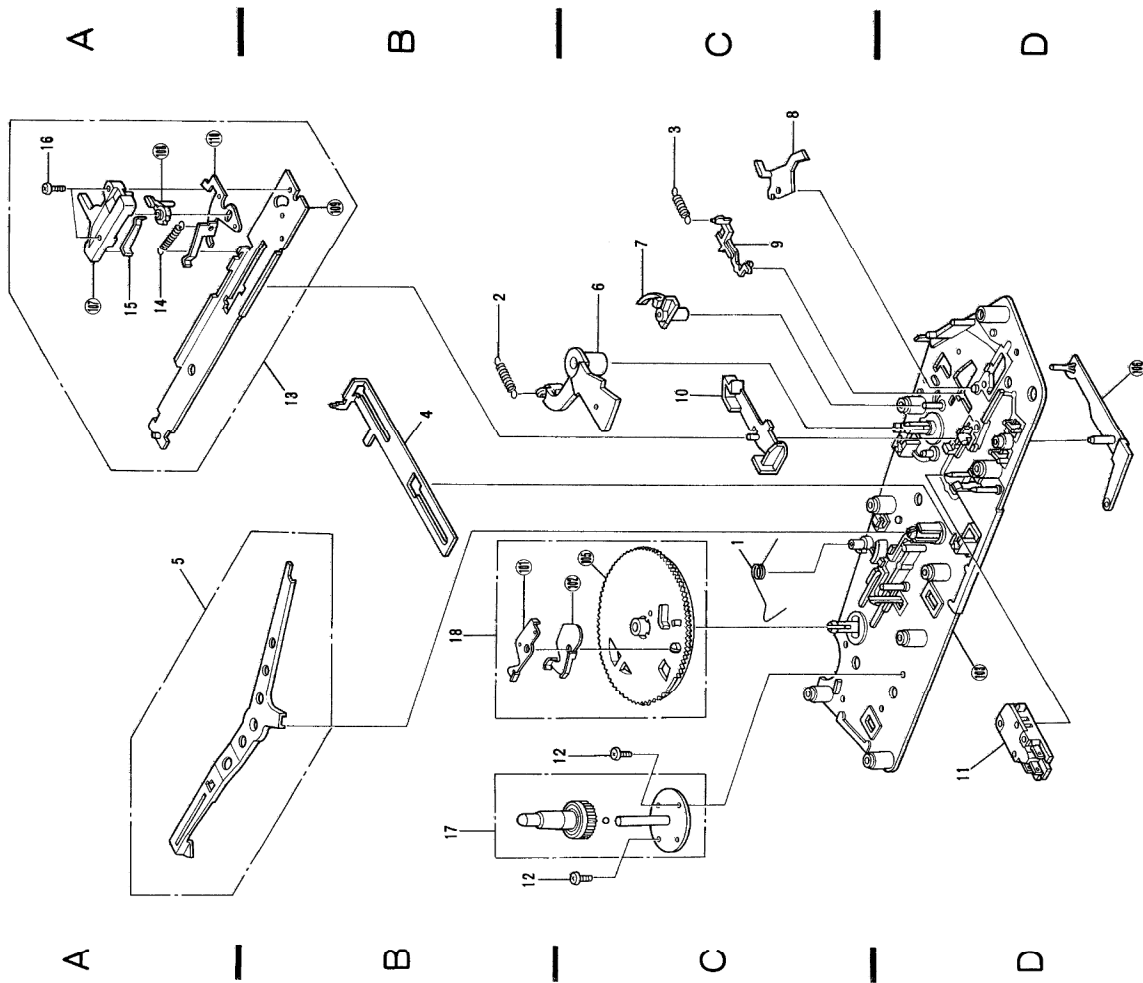
5

6

5.2 SUB-PANEL ASSEMBLY (PL-Z91)

Parts List of Sub-panel (PL-Z91 and PL-Z81)

Mark	No.	Part No.	Description	Mark	No.	Part No.	Description
	1.	PBH1040	Lock spring		101.		Starting plate
	2.	PBH1053	Select lever spring (PL-Z91 only)		102.		Signal plate
	3.	PBH1054	Reset plate spring (PL-Z91 only)		103.		Sub-panel
	4.	PNB1056	Select lever (PL-Z91 only)		104.	
	5.	PNB1058	Detector lever		105.		Cam
	6.	PNW1296	Index cam (PL-Z91 only)		106.		Start lever (PL-Z91 only)
	7.	PNW1301	Switch locker		107.		EV cam
	8.	PNW1312	Reset plate (PL-Z91 only)		108.		Lead-in ratchet
	9.	PNW1313	Selector (PL-Z91 only)		109.		Drive plate unit
	10.	PNW1314	Switch lever		110.		Start plate
△	**	11.	PSF-023				
	12.	PSZ30P060FMC	Microswitch (POWER, S1) Screw				
	13.	PXA1110	Drive plate assembly (For PL-Z91)				
		PXA1112	Drive plate assembly (For PL-Z81)				
	14.	PBH-224	Start plate spring				
	15.	PBK-038	Click plate spring				
	16.	PSZ30P100FMC	Screw				
	17.	PXA1111	Shaft assembly				
	18.	PYY1046	Cam assembly				



5.3 SUB-PANEL ASSEMBLY (PL-Z81)

