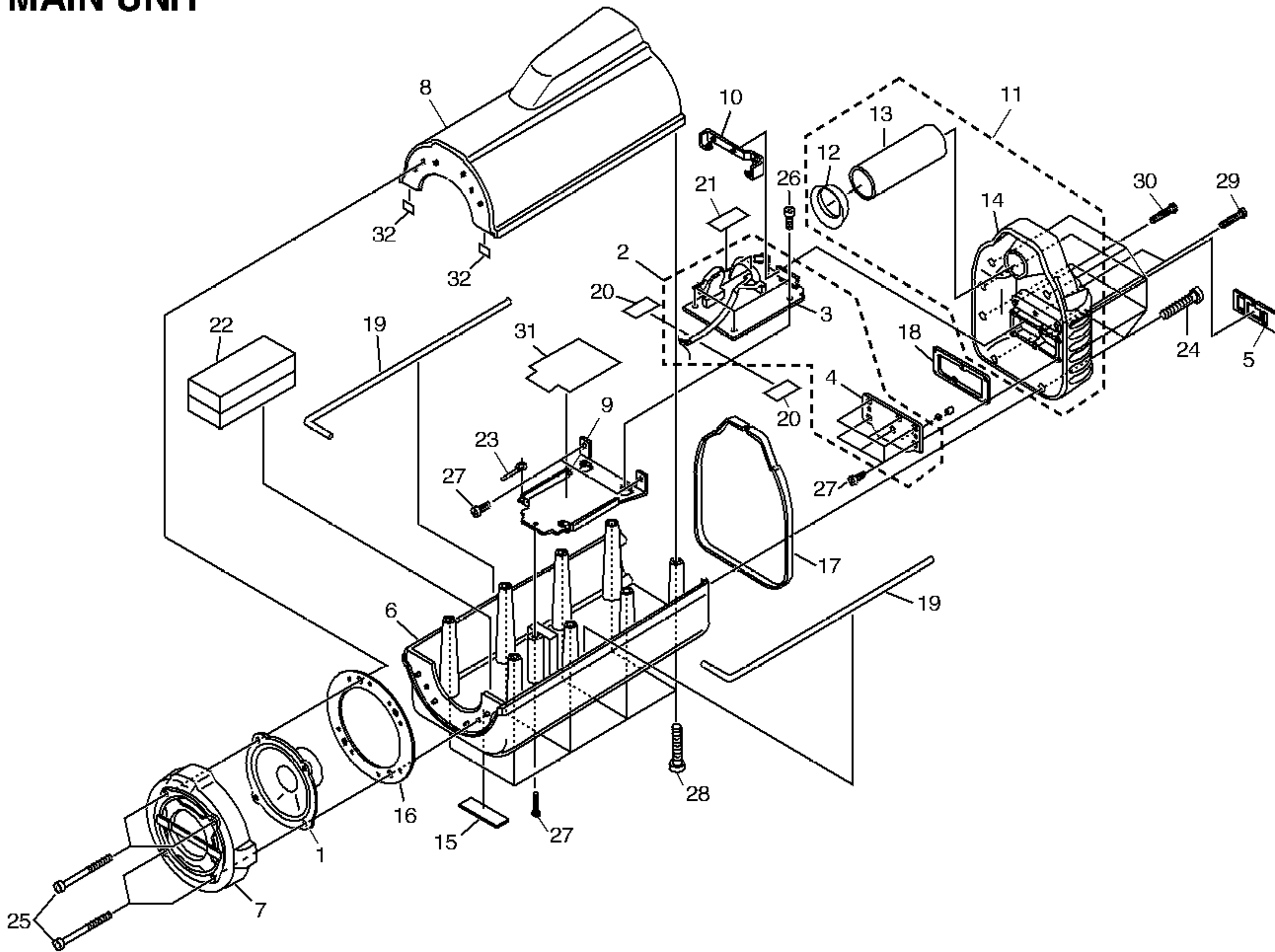


3. EXPLODED VIEWS AND PARTS LIST

- NOTES: ● Parts marked by "NSP" are generally unavailable because they are not in our Master Spare Parts List.
 ● The Δ mark found on some component parts indicates the importance of the safety factor of the part. Therefore, when replacing, be sure to use parts of identical designation.
 ● Screws adjacent to ∇ mark on the product are used for disassembly.

3.1 MAIN UNIT



● MAIN UNIT PARTS LIST

Mark	No.	Description	Part No.	Remark	Mark	No.	Description	Part No.	Remark
	1	Speaker LR	10-1052AZ	x1	NSP	16	Cushion F	TEB1344	x1
	2	PCB Unit	TWX1027-AZ	x1	NSP	17	Cushion R	TEB1345	x1
NSP	3	AMP Unit	TWK1011	x1	NSP	18	Cushion T	TEB1346	x1
NSP	4	SWITCH Unit	TWS1030	x1	NSP	19	Silicone Tube	TEB1347	x2
	5	Panel	TAN1155	x1	NSP	20	Cushion DS	TEB1364	x2
	6	Cabinet Bottom	TLM1480	x1	NSP	21	Cushion DC	TEB1365	x2
	7	WF Protector	TLM1481	x1		22	Sound Absorbent	TED1514	x2
	8	Cabinet Top	TLM1479	x1		23	Cord Clamp	TEX1005	x1
	9	Bracket PCB	TNA1564	x1		24	Screw H4x20	TBA1127	x8
	10	Bracket IC	TNA1576	x1		25	Screw H4x35	TBA1128	x4
	11	Heatsink Assy	TXC1159	x1	NSP	26	Screw 3x6	TBA1131	x4
NSP	12	Port Cap	TFX1025	x1	NSP	27	Screw 3x8	TBA1132	x9
NSP	13	Port Paper	TFX1026	x1	NSP	28	Screw 4x14	TBA1133	x8
NSP	14	Heat Sink	TNA1563	x1	NSP	29	Screw H3x18	TBA1134	x2
NSP	15	Name Label	TAL2697	x1	NSP	30	Screw H3x12	TBA1136	x1
					NSP	31	Insulation Sheet	TEB1372	x1
					NSP	32	Packing	TEB1373	x2