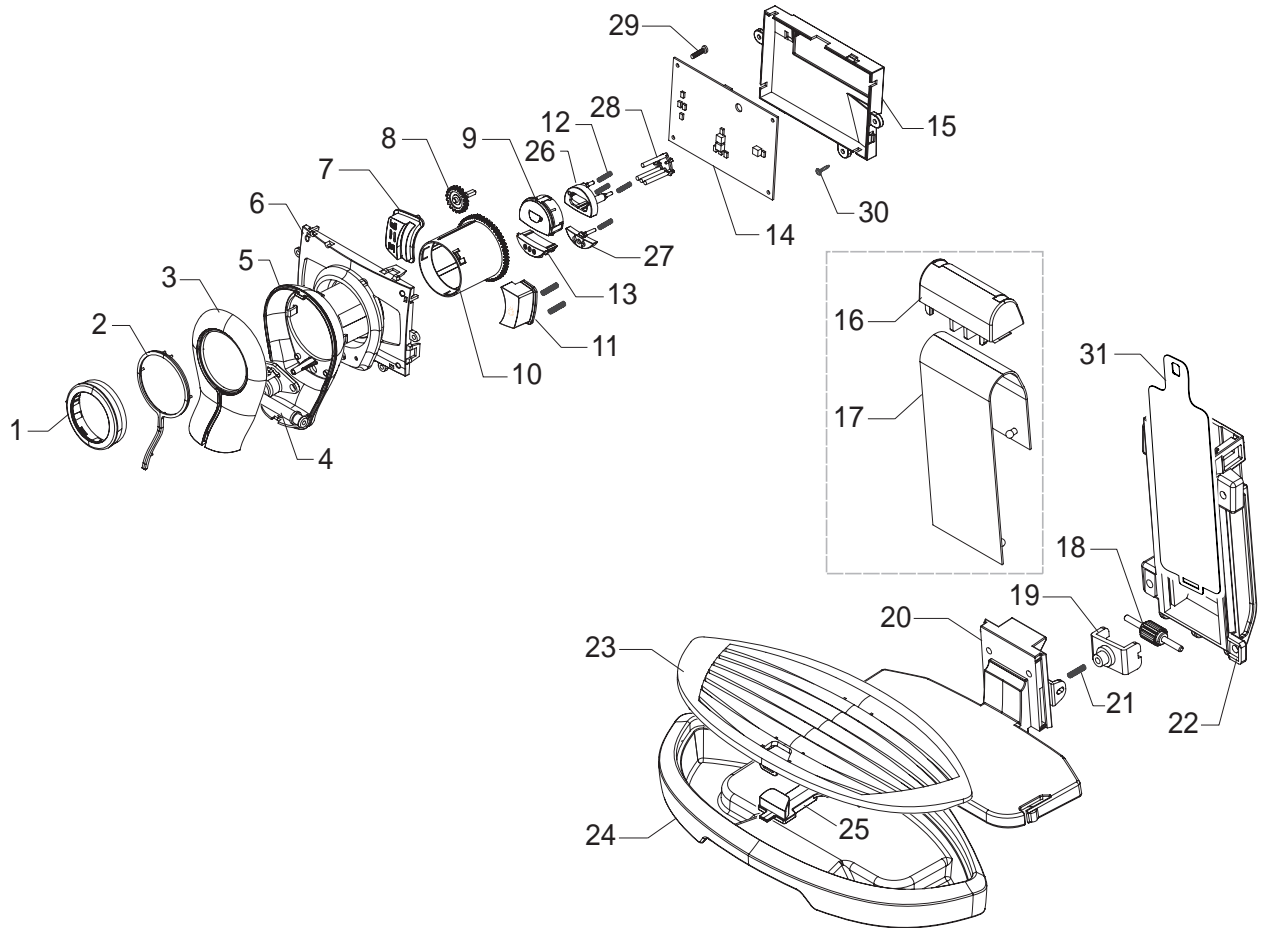


Saeco SUP031OR
INTERNATIONAL GROUP



Cod.1000206-49-60-61-1340-41-1602-03
Cod.10001604-05-06-07-08-09-1770-1855-2520

POS	CODE	DESCRIPTION	NOTE	POS	CODE	DESCRIPTION	NOTE
01	15001426	MANUAL V2 SAE P0049/B SUP031OR GB/F		25	11004579	CARBONA DRIP TRAY COFFEE UNIT P0049	
	15001427	MANUAL V2 SAE P0049/B SUP031OR E/P			11004414	MATTONE DRIP TRAY COFFEE UNIT P0049	
	15001428	MANUAL V2 SAE P0049/B SUP031OR D/I			11004392	TITANIO DRIP TRAY COFFEE UNIT P0049	
	15001429	MANUAL V2 SAE P0049/B SUP031OR NL/P			11007105	BROWN DRIP TRAY COFFEE UNIT P0049	
	15001654	MANUAL INSTRUCTIONS SUP031OR CHN			12000280	CUP SOCKET EN 60320 C 13	
02	127390100	BRUSH FOR CLEANING		26	11000592	SAIA 3292 GENERAL SWITCH FOR P124	
03	11003785	BLACK GRINDER ADJUSTMENT KEY P0049		27	11004591	CARBONA WATER TANK OUTLET COVER P0049	
04	183911050	POWER CABLE SCHUKO BLACK L=1200		28	11004393	TITANIO WATER TANK OUTLET COVER P0049	
	183930650	PO.CABL.CH BLACK 3X1 H05VV-F L=1200			11004415	MATTONE WATER TANK OUTLET COVER P0049	
	183921950	POWER CABLE SJT3 USA BLACK UL L=1200			11007106	MARRON WATER TANK OUTLET COVER P0049	
	183940650	BLACK POWER CABL. AUST.3X1 H05VVF L=1200		29	11011355	TRANSPAR.BEAN CONTAINER V2 P0049	
	183980650	POWER CABL.JAPPON VCTF BLACK L=1200		30	11001762	TRANSPAR.BEAN COFF. CONTAIN.LID ASS.P0049	
	11001985	BLACK POWER CABLE KOREA 3X1,25 L=1200			11009071	NAT/GREY BEAN COF. CONT.LID P0049 S/S ASS	
	11004245	BLACK POWER CABLE BRAZ. W/CONNECT.L=1200		31	11009191	BLACK POWER BOARD PROTECTION V2 P0049	
	11004246	BLACK POWER CABLE TAIWAN HVCTF L=1200		32	11001360	PWR BOARD P0049/P0053	230V 120V
	11004247	BLACK POWER CABLE RVV 3X1 CHINA L=1200			11003968	PWR BOARD P0049/P0053	
05	13000123	UPPER TECHMATE INSERT FOR BOX P0049		33	9161.111	MAGNET FOR FLOAT SUPERAUTOM.	
06	13000122	LOWER TECHMATE INSERT FOR BOX P0049		34	11008956	SS SPRING FOR LOCK DOOR G0053	
07	13000124	DISPLAY BOX SAECO P0049		35	11001340	BLACK DOOR PIN P0049	
08	11001746	TRANSPARENT WATER CONTAINER P0049 ASS.		36	11004578	CARBONA DOOR P0049	
09	224640200	EXTERNAL FILTER FOR WATER CONTAINER AS.	WITH PART. N°10		11004391	TITANIO DOOR P0049	
10	140328461	EPDM OR METRIC 0190-10			11004413	MATTONE DOOR P0049	
11	11003672	SPRING FOR WATER CONTAINER VALVE P0049			11007108	BROWN DOOR P0049	
12	11003673	GREY WATER CONTAINER VALVE INSERT P0049		37	11001091	BLACK INSIDE COVER DOOR P0049	
13	11003671	TRANSP.VALVE FOR WATER CONTAINER P0049			11009283	BLACK INSIDE COVER DOOR P0049 UL	
14	11001298	BLACK LID FOR DUCKBILL VALVE P0049		38	11004592	CARBONA ON-OFF BUTTON INSERT P0049	
15	11001308	NATURAL/GREY WATER CONTAINER LID P0049			11004055	TITANIO ON-OFF BUTTON INSERT P0049	
16	11004687	MOUNTING PLATE WITH PIN P0049 ASSY.			11004540	MATTONE ON-OFF BUTTON INSERT P0049	
	11009302	MOUNTING PLATE WITH PIN P0049 UL ASSY.			11007107	MARRON ON-OFF BUTTON INSERT P0049	
	11006507	MOUNTING PLATE WITH PIN P0049 PP+T ASSY.		39	11011129	SPECCHIATO ON-OFF SWITCH BUTTON P0049	
17	11000223	BLACK WHEEL FOR CASING BOTTOM P124		40	11001437	BLACK CAP FOR CONNECTIONS P0049/P0053	
18	11011596	SPECCHIATO CASING COVER V2 P0049		41	11001339	TRANSP.LATE INFRAREDS PLATE P0049	
19	11004372	SILVER WATER-STEAM KNOB P0049 W/O.N/S/SC		42	NF11.084	FOLK SPRING	
20	11004142	SILVER PLATE LOGO SAECO NEW P0049/P0053		43	11001624	STEAM TUBE WASHER P0049	
21	11004908	BLACK PLATE WITH LOGO ODEA P0049 GIRO		44	11005287	BLACK BUSH FOR STEAM KNOB	
	11004909	BLACK PLATE W/LOGO ODEA P0049 GIRO PLUS		45	11003154	BLACK REED SENSOR SUPPORT P0049	
22	11004575	CARBONA RIGHT SIDE CASING P0049		46	11005044	SAECO KLUBER TRIBOSTAR SIL 2 TUBE 5GR.	
	11004389	TITANIO RIGHT SIDE CASING P0049		47	11005040	SPRING FOR ON-OFF BUTTON P0049	
	11004411	MATTONE RIGHT SIDE CASING P0049		48	11003889	2POLES CONNECT. SENSOR REED DOOR P0049	
	11007103	BROWN RIGHT SIDE CASING P0049		49	129913202	SCREW TCB TORX 10 3X8 PLAST.ZN-B	
23	11004576	CARBONA LEFT SIDE CASING P0049		50	129661702	SCREW TCB TORX 3,5X30 PLAST.ZN-B	
	11004390	TITANIO LEFT SIDE CASING P0049					
	11004412	MATTONE LEFT SIDE CASING P0049					
	11007104	BROWN LEFT SIDE CASING P0049					
24	11003533	BLACK DUMP BOX P0049 W/OUT S.SCREEN ASSY.					

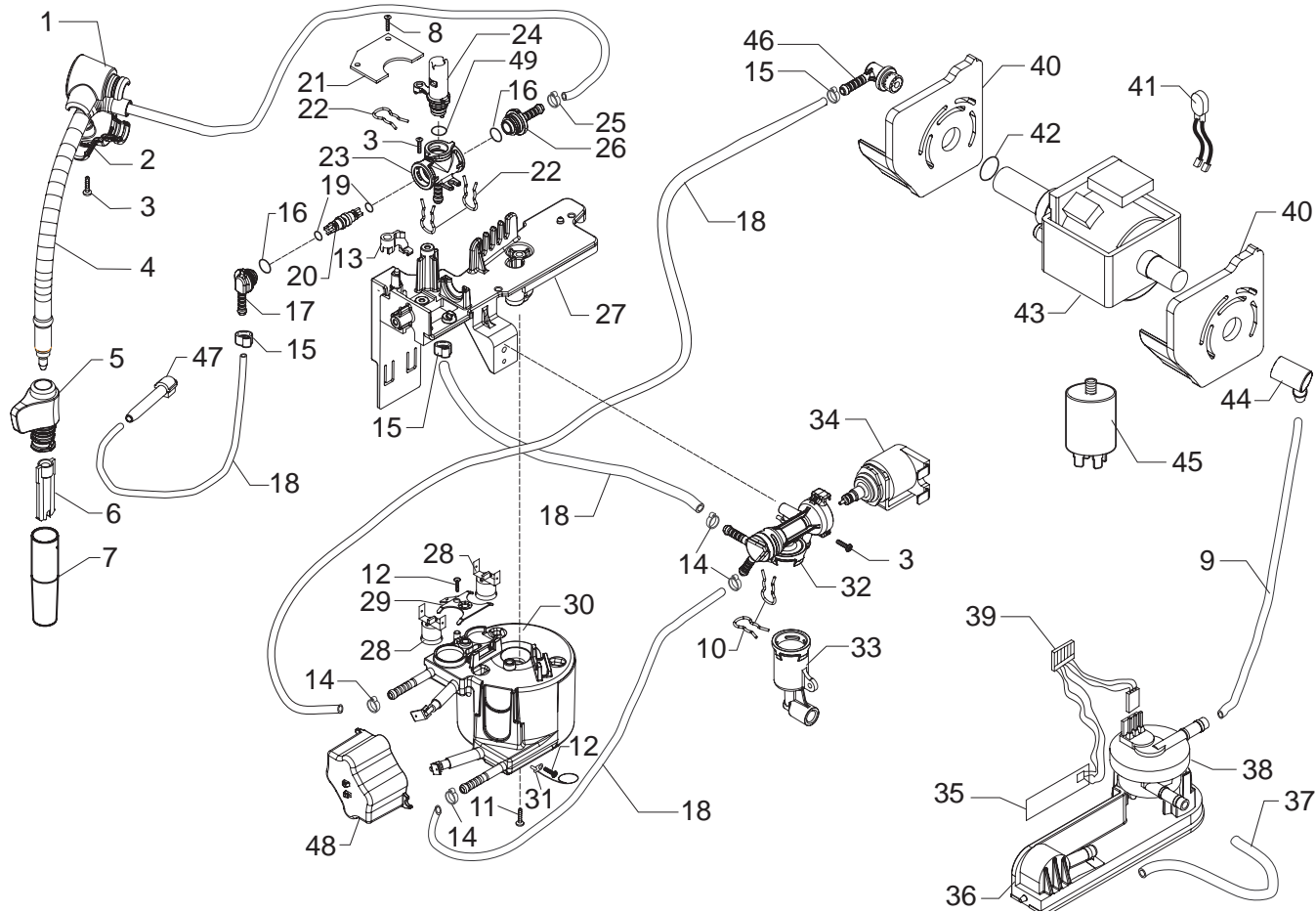


Saeco SUP031OR
INTERNATIONAL GROUP



Cod.1000206-49-60-61-1340-41-1602-03
Cod.10001604-05-06-07-08-09-1770-1855-2520

POS	CODE	DESCRIPTION	NOTE	POS	CODE	DESCRIPTION	NOTE
01	11011220	SPECCHIATO HEIGHT REGULATION NUT P0049					
02	11001788	AMBRA COFFEE DISPENSER LENS P0049					
03	11011223	SPECCH.FRONT COF.DISPENSER COVER P0049					
04	11001772	TRANS.INNER CASING COFF.DISPENSER P0049					
05	11011221	SPECCHIAT.REAR COF.DISPENSER COVER P0049					
06	11011224	SPECCHIATO SUPPORT ELECTR.CARD P0049					
07	11001351	BLACK BUTTON FOR ALLARMS P0049					
08	11001320	BLACK GEAR Z=19 FOR P0049					
09	11001354	BLACK COFFEE BUTTON P0049/B					
10	11001314	BLACK SUPPORT FOR RING NUT P0049					
11	11001352	BLACK WATER BUTTON P0049					
12	11001363	SPRING FOR BUTTONS P0049					
13	11001355	BLACK COFFEE DOSE BUTTON P0049/B					
14	20000653	KIT SPARES CPU P0049 + FAUCET BOAR. 3SEN. UP TO S/N. 9006SA40294417	WITH PAR.N°21 TA.3				
	11004915	AS.CPU+SW V1 P0049					
	20003340	FR.S/N.9006SA40294418 UP TO S/N.9007SA40439137 KIT SPARES CPU+SW V2 P0049 ASSY. FROM S/N. 9007SA40439138					
15	11001299	BLACK SUPPORT ELECTR.CARD CPU P0049.					
16	11001304	BLACK DRIP TRAY GUIDE LID P0049 UP TO S/N. 9008SA40110704					
17	11001438	SILVER DRIP TRAY SUPPORT PROTECT.P0049 UP TO S/N. 9008SA40110704					
18	11001758	PIN WITH BLACK INSERT ASSY.P0049					
19	11001335	BLACK PIN INSERT FOR DRIP TRAY P0049					
20	11001295	BLACK DRIP TRAY SUPPORT P0049					
21	11001364	MOVE DRIP TRAY SPRING P0049					
22	11001294	BLACK DRIP TRAY GUIDE P0049					
23	11011128	SPECCHIATO GRATE FOR DRIP TRAY P0049					
24	11009633	CARBONA DRIP TRAY P0049					
25	11004185	AMBRA FLOAT FOR DRIP TRAY P0049					
26	11001350	BLACK COFFEE BUTTON SPACER P0049/B					
27	11001309	BLACK SPACER FOR COF.DOSE BUTTON P0049					
28	11001291	TRANSPARENT CAP LED COVER P0049					
29	129913202	SCREW TCB TORX 10 3X8 PLAST.ZN-B					
30	12000450	SCREW TCB TORX 10 3,5X12 PLAST.GALVANIZ					
31	11007037	SPECCHIATO DRIP TRAY PROTECTION V2 P0049 FROM S/N. 9008SA40110705					

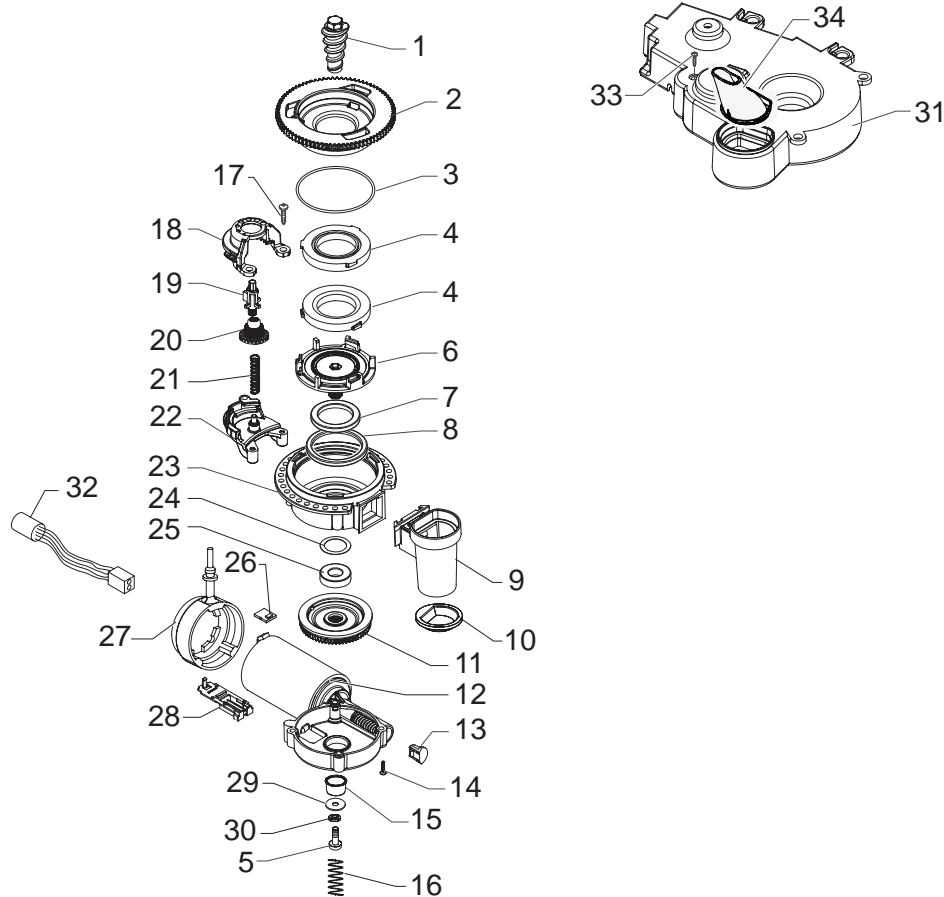


Saeco SUP031OR
INTERNATIONAL GROUP



Cod.1000206-49-60-61-1340-41-1602-03
Cod.10001604-05-06-07-08-09-1770-1855-2520

POS	CODE	DESCRIPTION	NOTE	POS	CODE	DESCRIPTION	NOTE
01	11004196	CHROMED UPPER STEAM TUBE COVER P0049		35	11000651	WATER LEVEL SENSOR BOARD P124	
02	11004197	CHROMED LOWER STEAM TUBE COVER P0049		36	11003670	BLACK TURBINE SUPPORT/V2 P0049	
03	129913902	SCREW TCB TORX 10 3X12 PLAST.ZN-B		37	JS01.022	SILICONE TUBE 5X10 60 SHORE	IN ROLL
04	11003122	ST.STEEL STEAM TUBE P0049 ASSY.		38	12000781	TURBINE D=1,2 932-8521/90 ASSY.	
05	11001625	STEAM TUBE HANDGRIP P0049		39	11001790	6POLES CONNECTOR LEV.+FLOWMETER P0049	230V
06	11001769	BLACK COVER PANNARELLO P0049/A			11005648	6 POLES CONNE.LEVEL+FLOWMETER P0049 UL	100-120V
07	11001621	STAINLESS STEEL COVER PANNARELLO P0049		40	11006296	BLACK PUMP SUPPORT P0049 ASSY.	
08	129913202	SCREW TCB TORX 10 3X8 PLAST.ZN-B		41	11001778	2POLES CONNECTOR PUMP P0049	230V
09	149360200	SILICONE TUBE 5X8 70SR	IN ROLL		11005668	2POLES CONNECTOR PUMP P0049 UL	100-120V
10	11005096	FORK SPRING FOR VALVE P0049		42	140321961	OR 2031 IN TERMOIL	
11	129932502	GALVANIZDE SELF DRILLING SCREW 5X30		43	12000140	ULKA PUMP EP5/S GW	230V-50HZ
12	129573202	SCREW TCB PH/TT 4X8 UNI 8112 ZNP			12000130	ULKA PUMP EP5/S GW	100V-50/60HZ
13	11008876	BRASS FAUCET BLOCK INSERT P0049/A		44	12000142	ULKA PUMP EAP5/S 120V-60HZ	
14	12000892	TECNOFIX CLAMP D=9,5 16700004			12000167	ULKA PUMP EP5/S GW 240V-50HZ	
15	12000413	TECNOFIX CLAMP D=8,5-9,5 FX55080			12000182	ULKA PUMP EP5/S GW 220V-60HZ	
16	12000931	OR 108 IN EPDM FDA 70 SH		47	147920150	90°CONNECTOR PUMP INLET	
17	11001544	FAUCET CONNECTOR P0049		45	12000005	ANTIDISTURB FILTER 10A FNC 1005474103P	
18	16000380	5X8,9 SILICONE TUBE	IN ROLL		12000007	ANTIDISTURB FILTER 16A F.NC.16.10.474.472.P	
19	12000890	OR 2012 IN EPDM FDA 70 SH		46	11001054	90°CONNECTOR PUMP OUTLET P0049/B	
20	11004134	BRASS FAUCET SHAFT P0049		47	11001630	MILK ISLAND DESCARGING WATER CONNECT.	
21	20000653	KIT SPARES CPU P0049 + FAUCET BOARD 3SEN UP TO S/N. 9006SA40294417	WITH PAR.N°14 TA.2	48	11005284	BLACKBOIL. CONNECTORS COVER P0049/P0053	
	11007569	TAP ELECTRONIC CARD G0053 ASSY. FROM S/N. 9006SA40294418		49	140321861	OR 2025 IN EPDM	
22	11001499	FORK SPRING FOR FAUCET P0049			11008698	TEA/BRASS FAUCET P0049-P0053 ASSY. WITH PART. N°16-17-19-20-22-23-24-26-49	
23	11004625	TEA/BRASS FAUCET CASING P0049			11001543	BLOWDOWN VALVE P0049 230V ASSY.	
24	11004135	PLAST/BRASS FAUCET SHAFT P0049 ASSY.			11005751	BLOWDOWN VALVE P0049 100V ASSY.	
25	NF11.052	OETIKER CLIP			11005604	BLOWDOWN VALVE P0049 120V ASSY.	
26	11001546	FAUCET STRAIGHT CONNECTOR P0049			11009021	BLOWDOWN VALVE P0049 220V-60HZ ASSY. WITH PART. N°10-32-33-34	
27	11001332	SUPPORT FOR BOILER-FAUCET-VALVE P0049			11002031	ALUM.BOILER P0049/C 230V ASSY.	
28	189428600	THERMOSTAT 175° 1NT-08L-5125			11005776	ALUM.BOILER P0049/C 120V ASSY.	
29	11001751	THERMOSTATES SPRING FOR BOILER			11005777	ALUM.BOILER P0049/C 100V ASSY.	
30	11011341	ALUM.BOILER/V4 ASSY.	230V-1300W		11009110	ALUM.BOILER P0049/C 220V-60HZ ASSY. WITH PART. N°03-09-11-12-14-15-18-27-28-29-30 31-47-48+TEA/BRASS FAUCET+BLOWD. VALVE	
	11011342	ALUM.BOILER/V4 ASSY.	120V-1300W				
	11011343	ALUM.BOILER/V4 ASSY.	100V-1300W				
31	190800100	TEMPERATURE SENSOR NTC UL L=280MM					
32	20000591	BLOWDOWN VALVE CASING P0049 ASSY.					
33	20000592	BLOWDOWN VALVE CONNECTOR P0049 ASSY.					
34	20000590	BLOWDOWN VALVE COIL P0049 ASSY.	230V				
	20000680	BLOWDOWN VALVE COIL P0049 ASSY.	120V				
	20000681	BLOWDOWN VALVE COIL P0049 ASSY.	100V				
	20000920	BLOWDOWN VALVE COIL P0049 ASSY.	220V-60HZ				

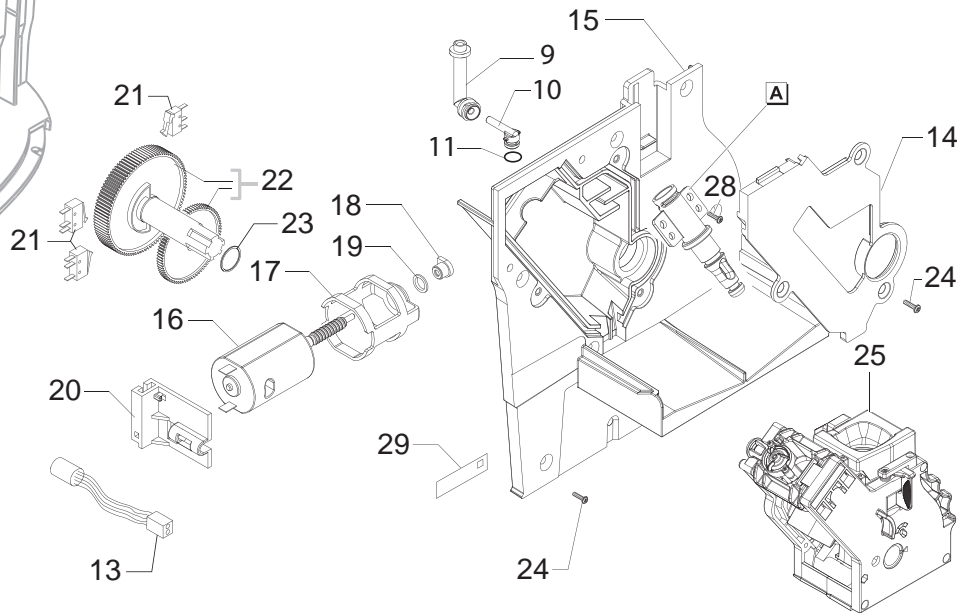
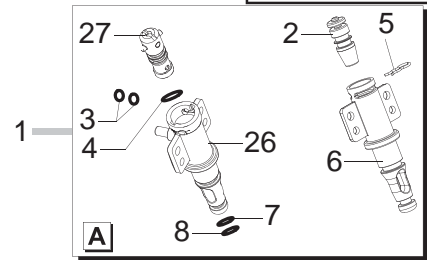
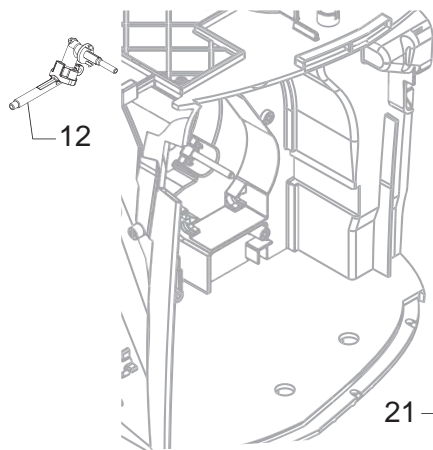


Saeco SUP031OR
INTERNATIONAL GROUP



Cod.1000206-49-60-61-1340-41-1602-03
Cod.10001604-05-06-07-08-09-1770-1855-2520

POS	CODE	DESCRIPTION	NOTE	POS	CODE	DESCRIPTION	NOTE
01	11011205	TEA/ZAMA INCREASE SCREW GRINDER					
02	149198250	UPPER GRINDER SUPPORT COFFEEGRINDER					
03	140328960	NBR FDA OR METRIC 0530-15					
04	146520100	BAKED CLAY GRINDER 48X28					
05	129574802	SCREW TCB TORX 20 M4X30 ZN-B					
06	149198350	LOWER GRINDER SUPPORT COFFEEGRINDER					
07	123030300	AXIAL BEARING EKKO 342.35252					
08	140360500	FELT RING 45,4X39,4X4					
09	11012564	GROUND COFFEE OUTLET CONVEYOR V2 ASSY					
10	145854462	GROUND COFFEE CONT.SEAL LOWER SMART1					
11	226000300	GEAR SX Z=38 FOR GRINDER MOTION ASSY.					
12	11000513	MOTOR COFFEEGRINDER/V3.1 DOMEL ASSY	230V				
	11000511	MOTOR COFFEEGRINDER/V3.1 DOMEL ASSY	120V				
	11000512	MOTOR COFFEEGRINDER/V3.1 DOMEL ASSY	100V				
13	149214800	CAP FOR WORM SCREW MCV3 CENTRING					
14	129661702	PANELVIT TCB SCREW 3,5X25 D.7505 ZN					
15	11002873	INSULATOR BUSH FOR GRINDER MOTOR P124					
16	11000597	COFFEE GRINDER SUPPORT SPRING P124					
17	129660102	PANELVIT TCB SCREW 3,5X18 D.7505 Z					
18	11002508	UPPER GEAR SUPPORT COFFEEGRINDER P124					
19	11003446	BLACK INSERT FOR COFFEE GRINDER P0049					
20	11003784	COFFEE GRINDING ADJUSTMENT GEAR P0049					
21	11002572	GRINDER REGULATION SPRING P124					
22	11002613	LOWER GEAR SUPPORT COFFEEGRINDER P124					
23	142905450	UPPER BODY WITH COFFE.GROUND OUTLET					
24	128381800	CRINKLE WASHER 21,8X15,8X0,2					
25	123030200	RADIAL BEARING 61900.2RS1					
26	181540900	ELECTRONIC BOARD WITH SENSOR HAL506					
27	11001367	BLACK COFFEE GRINDER SUPPOT P0049					
28	149199050	SENSOR SUPPORT FOR COFF.GRIND.MOTOR					
29	128381902	GALVAN.FLAT WASH.DI=4,3 DE=14 SP=1,5					
30	128310402	GALV.WASHER UNI 8842 A4					
31	11001826	SOUNDPR. COVER FOR COFGRINDER P0053					
32	11003449	5POLES CONNECTOR MC SENSORS P0049	230V				
	11005658	5POLES CONNECTOR MC SENSORS P0049 UL	100V-120V				
33	129914002	SCREW TCB TORX 10 3,5X16 PLAST.ZN-B					
34	11004199	CONVOGLIAT.CONDENSEA GRUP.CAF.P0049 NER					
	11007416	GENERAL MOTOR MC V2 P0049 230V ASSY.					
	11007417	GENERAL MOTOR MC V2 P0049 120V ASSY.					
	11007418	GENERAL MOTOR MC V2 P0049 100V ASSY.					



Saeco SUP031OR
INTERNATIONAL GROUP



Cod.1000206-49-60-61-1340-41-1602-03
Cod.10001604-05-06-07-08-09-1770-1855-2520

POS	CODE	DESCRIPTION	NOTE	POS	CODE	DESCRIPTION	NOTE
01	11005113	PIN V2 FOR BOILER P049/B ASSY.		28	129661902	VITE TCB TORX 3,5X18 PLASTITE 45°	
02	11000692	NIKELED BRASS CAP FOR PIN BOILER P119 UP TO S/N.9007SA40002250		29	11000651	WATER LEVEL SENSOR BOARD P124 UP TO S/N 9007SA40439137	
03	140328059	OR 2015 IN SILICONE PTFE/FDA					
04	140324459	OR METRICO 0060-20 SILICON.PTFE/FDA					
05	9011.144	FORK FOR TUBE D.4 UP TO S/N.9007SA40002250					
06		PARTICULARE NOT AVAILABLE UP TO S/N.9007SA40002250	SEE PART. N°01				
07	NM01.035	OR ORM 0090-20 SILICONE					
08	NM01.057	OR ORM 0050-20 SILICONE					
09	11004086	VALVE DESCARGING WATER 90° CONNECTOR					
10	11003648	COVER DESCARGING WATER 90° CONNECTOR					
11	140325462	OR METRIC 0070-20 IN SILICONE					
12	11003468	COFFEE DISPENSING VALVE P0049 ASSY. FINO MATR. 9006SA40292687 V3 COFFEE DISPENSING VALVE P0049 ASSY. DA MATR. 9006SA40292688					
	11007647						
13	11003661	REED SENSOR MK3-1A66-BV16451					
14	11001312	BLACK COVER FOR VAIN BOILER P0049					
	11009284	BLACK COVER FOR VAIN BOILER P0049 UL					
15	11006337	BLACK COVER FOR MOUNTING PLATE P0049 AS					
	11009287	BLACK COVER MOUNTING PLATE P0049 UL ASSY					
16	11003037	MOTOR FOR RATIOMOTOR ASSY.					
17	9121.044	ANTIVIBRATION FOR MOTOR					
18	9121.046	SINTERED BUSH FOR MOTOR					
19	148380200	WASHER BAKELIZZATE D=5,5					
20	11001331	BLACK MICROSWITCH SUPP. DUMP BOX P0049					
21	NE05.038	MICROSWITCH					
22	20000455	SPARES KIT GEARS FOR RATIOMOTOR P124 UP TO S/N 9007SA40439137 SPARES KIT GEARS FOR RATIOMOTOR V2 FROM S/N. 9007SA40439138					
	20000900						
23	9161.132	MYLAR WASHER FOR RATIOMOTOR					
24	129914102	SCREW K 35X12 WN 1423 GALVANIZED					
25	11002145	BLACK BREW UNIT 8GR. P124/SBS SEE TAB. COD. EXPL. E90042					
26	11003801	PIN V2 FOR BOILER P119 FROM S/N.9007SA40002251 CAP V2 FOR PIN BOILER P119 FROM S/N.9007SA40002251					
27	11003820						