

Saeco SUP 018C V2
INTERNATIONAL GROUP FROM S/N. 984044922

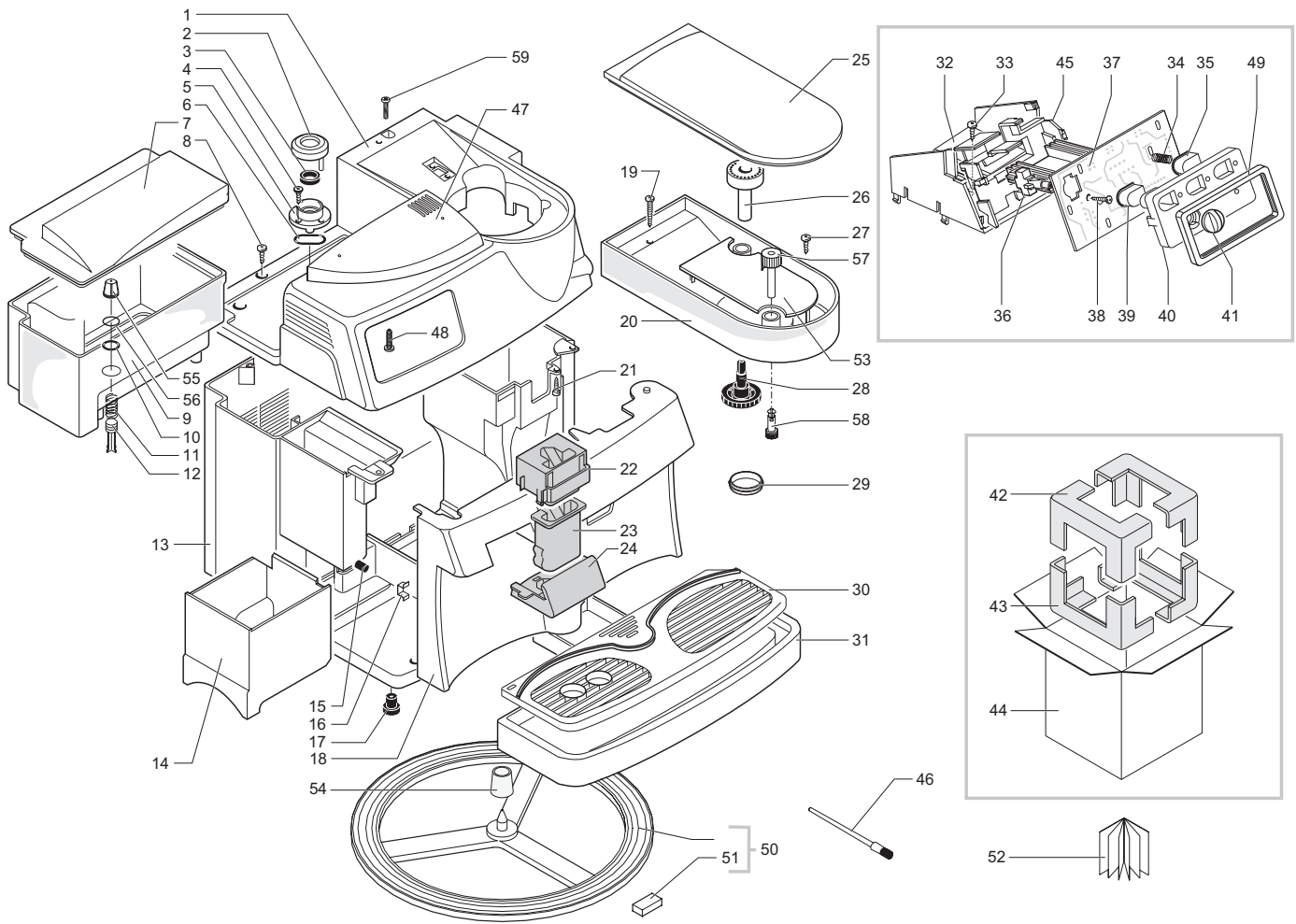


Cod.741413-20-21-34-37-38
Cod.741450-62-74-1000111

POS	CODE	DESCRIPTION	NOTE
01	142850576	M/GREY COVER M5000-COMTESSE NO/S/SCREEN	
	222820341	SILVER COVER M5000-COMTESSE	
	142850553	MET/BLACK COVER M5000-COMTESSE N/S/SCRE.	
	222820343	DARK/BLUE COVER M5000 COMTESSE	
02	0701.031.150	SEAL COVER GREY	
03	145842900	WATER CONTAIN.VALVE SEAL GACO DIM14	
04	129535721	SCREW TSP3,5X9,5 DIN 7982 SS	
05	0701.014.150	SEAL CONTAINER GREY	
06	0312.022	SEAL FOR VALVE CONTAINER	
07	0324.005.490	WATER CONT.LID M5000-COMT.GREY/7011	
	0324.005.580	WATER CONT.LID M5000-COMTES.SILVER	
	0324.005.380	WATER CONT.LID M5000-COMT.MET.BLACK	
08	U143.007	SCREW TORX TCB 2,9X19 SS BUR	
09	222693880	TRANSP/GREY WATER CONTAINER M5000 ASSY.	
	140324362	OR METRIC 0060-30 IN SILICONE	
10	126764718	SPRING FOR WATER CONTAINER VALVE	
12	147660562	GREY WATER VALVE CONTAINER PISTON	
13	0311.A03.560	MARB.GREY CASING M5000 + FEET ASSY.	WITH PART. N°15-17-54
	0311.A03.580	SILVER CASING M5000 + FEET ASSY.	WITH PART. N°15-17-54
	0311.A03.380	METAL/BLACK CASING M5000 + FEET ASSY.	WITH PART. N°15-17-54
	0311.A03.730.A	DARK BLUE CASING M5000 + FEET ASSY.	WITH PART. N°15-17-54
14	0311.004.560	MARB./GREY GROUNDS CONTAINER M5000	
	0311.004.580	SILVER GROUNDS CONTAINER M5000	
	0311.004.380	METAL/BLACK GROUNDS CONTAINER M5000	
	0311.004.730.A	DARK/BLUE GROUNDS CONTAINER M5000	
15	9991.105	MAGNET D.9MM	
16	0311.020	BRACKET FOR DOOR CLOSURE	
17	147622850	BLACK FOOT	
18	228991576	DOOR M5000 MA.GREY S/SCR.CAF.GRANDE	
	228991641	DOOR M5000 SILVER S/SCR.VIEN.DELUX	
	228991553	DOOR M5000 M.BLACK S/SCR.CAF.GRANDE	
	228991541	DOOR M5000 SILVER S/SCR.CAF.GRANDE	
	228993643	DOOR M5000 D/BLUE S/SCR.EDITION 3	
	228992876	DOOR M5000 M/GREY S/SCR.EDITION 1	
	228995841	SILVER DOOR M5000 S/SCREEN.CAFE' PRIMA	
19	129517103	SCREW TCB3,5X38,1 DIN 7981 GALV	
20	222711880	CO.CONT.ASS.W/SLOTS W/DOSADJ.M5000	
	222711780	CO.CONT.ASS.W/SLOTS N/DOSADJ.M5000	
	142713680	BEAN COFFEE CONTAINER GREY	
	142713180	B.CONT.GREY W/O SLOT W/O DOS R.S50	
	142713780	BEAN CONT. W/SLOTS W/ DOS REG. S50	
21	129660902	PANELVIT TCB SCREW 3,5X12 D.7505 Z	

POS	CODE	DESCRIPTION	NOTE
22	0311.022.490	GREY/7011 FIXED DISPENSING CHANNEL	
	0311.022.380	METAL/BLACK FIXED DISPENSING CHANNEL	
23	0311.011.490	GREY/7011 MOBILE DISPENSING CHANNEL	
	0311.011.380	METAL/BLACK MOBILE DISPENSING CHANNEL	
24	0311.012.490	DISPENSER SUPPORT GREY/7011	
	0311.012.380	DISPENSING SUPPORT METALLIZAT.BLACK	
25	0324.004.490	COFFEE CONT.LID M5000-COMT.GREY/7011	
	0324.004.580	COFFEE CONT.LID M5000-COMTES.SILVER	
	0324.004.380	COFFE.CONT.LID M5000-COMT.MET.BLACK	
26	9141.051.490	GRINDING ADJUSTMENT KNOB	
27	U109.029	SCREW AUT.TCB 3,5X32 DIN 7981 C	
28	146000850	GEAR COFF. GRIND. ADJUSTMENT COMBI	
29	9161.270	SEAL FOR COFFEE CONTAINER	
30	0311.010.490	GRATE M5000 GREY/7011	
	0311.010.380	GRATE M5000 METALIZED BLACK	
	0324.006.490	GRATE M5000-COMTESSE GREY/7011	
31	0311.005.560	MARB/GREY DRIP TRAY M5000	
	0311.005.580	SILVER DRIP TRAY M5000	
	0311.005.380	METAL/BLACK DRIP TRAY M5000	
32	0311.017.050	BLACK SUPPORT FOR ELECTRONIC CARD M5000	
33	U110.005	SCREW AUT.TCB 3,9X9,5 DIN 7981 F	
34	9161.220	SPRING FOR FUNCTION BUTTON	
35	0324.002.490	GREY/7011 FUNCTION BUTTON M5000-COMTES	
	0324.002.380	MET.BLACK FUNCTION BUTTON M5000-COMTES.	
36	NE03.029	ROLD SWITCH CM E1058	230V
	186076255	UNIP. SWITCH ROLD 120V CM A1058	120V
37	181565558	ELECT.BOARD M5000-V2 + /PREINF.230V	WITH ALUM. BOILER
	181565555	EL.BOARD .CPU M5000-V2 WO/PREINF.120V	WITH ALUM. BOILER
	181554658	ELECTR.BOARD M5000-V3 + PREINF.230V	WITH AL.BO.WITH RES.
	181554655	ELECTR.BOARD M5000-V3 + PREINF.120V	WITH AL.BO.WITH RES.
38	U140.004	PANELVIT TCB 3,0X12 DIN 7505 B GAL	
39	0324.003.490	ON/OFF BUTTOM M5000-COMT.GREY/7011	
	0324.003.380	ON/OFF BUTTON M5000-COMT.MET.BLACK	
40	224881976	FR.PL.M5000-COM.M.GREY S/SCR.GREY/	
	224882276	F.PL.M5000-COMT M.GREY S/SCR.BLA/	
	224882241	FR.PLATE M5000-COMT SILV. S/SC. L.	
	224882253	FR.PLATE M5000-COMT M.BLA.S/SCR.GO	
	224882243	FR.PANEL M5000-COMT.D/BLUE S/SCR.	
	224882277	FR.PANEL M5000-COMT.M/GREY S/SCR.B	
41	0311.016.490	DOSE ADJUSTMENT KNOB M5000 GREY/7011	
	0311.016.380	DOSE ADJUSTMENT KNOB M5000 METBLACK	
42	13000030	UPPER INSERT POLYSTIR.BOX M5000	

Saeco SUP 018C V2
INTERNATIONAL GROUP FROM S/N. 984044922

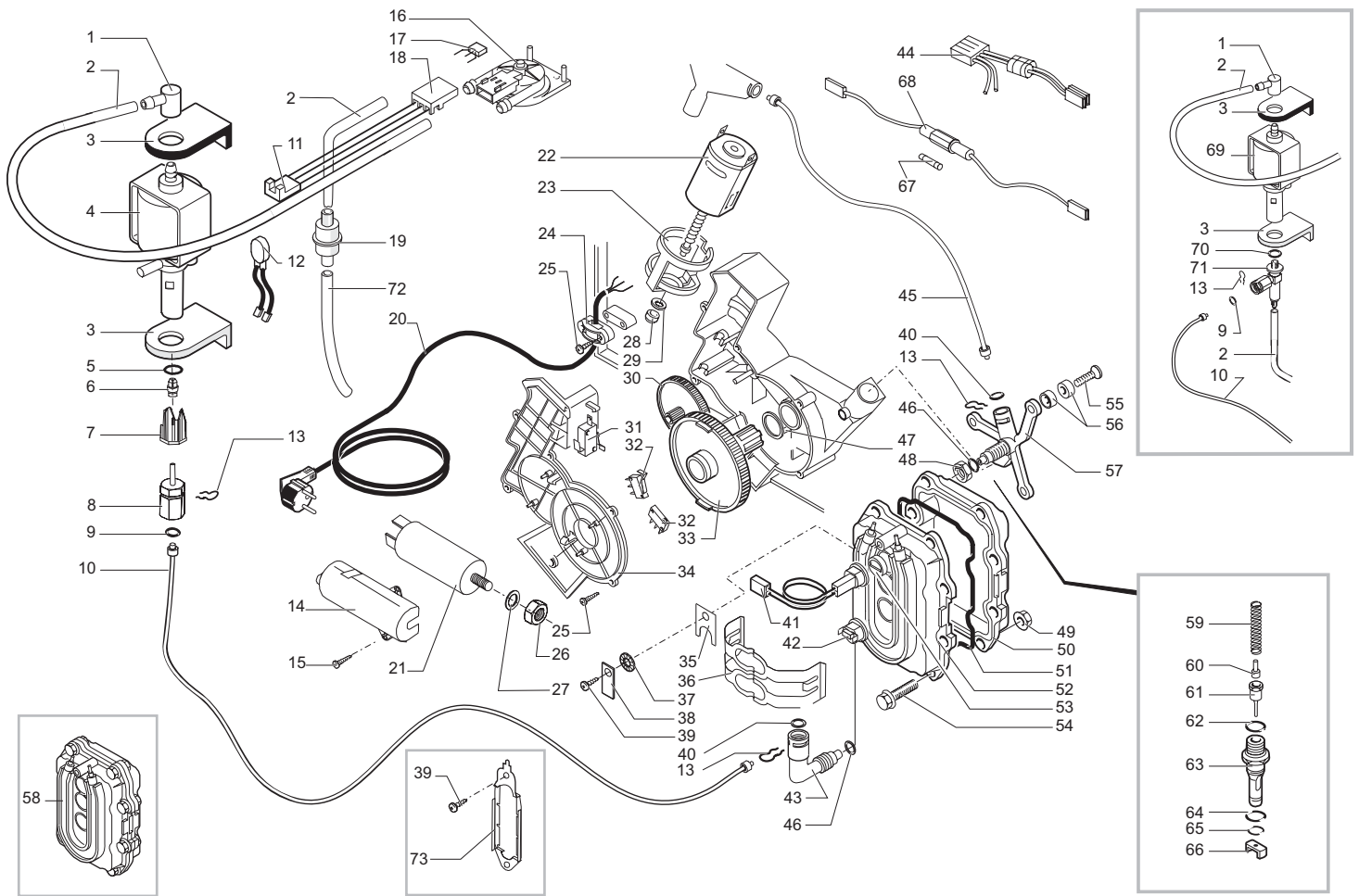


Saeco SUP 018C V2
INTERNATIONAL GROUP FROM S/N. 984044922

CE Cod.741413-20-21-34-37-38
Cod.741450-62-74-1000111

POS	CODE	DESCRIPTION	NOTE	POS	CODE	DESCRIPTION	NOTE
43	13000031	LOWER INSERT POLYSTIR.BOX M5000					
44	178505100	DISPLAY BOX SAECO M5000 CAFE'					
	178505000	DISPLAY BOX SAECO M5000 VIENNA					
45	147756600	ELECTRONICS BOARD PROTECTION M5000					
46	127390100	BRUSH FOR CLEANING					
47	0324.007.490	SUPPLEM.LID M5000-COMTESSE GREY7011					
	0324.007.380	SUPPLEMENT.LID M5000-COMT.MET.BLACK					
	0324.007.580	SUPPLEMEN.LID M5000-COMTESSE SILVER					
48	129670202	PANE. TCB SCREW 3,5X16 TESTA D=8 Z					
49	145850100	ADH. SEAL FRONT FUSTEL.PLA. M5000					
50	220380159	ROTATING RING ASS.GREY/BLACK FEET	WITH PART. N°51				
51	147622150	BLACK FOOT FOR REVOLVING RING					
52	165932300	INST.MANUAL SAECO CAF.GRANDE SUP018					
	0311.951	INSTRUCTION BOOKLET SAECO EXPORT					
	165898200	INSTR.MANUAL SAECO CAF.PRIMA SUP018					
53	147755280	BEAN CONT. PROT. + DOS ADJUST S500					
54	145894700	ROTATING RING RETAINING INSERT					
55	224640200	EXTERNAL FILTER FOR WATER CONTAINER ASSY	WITH PART. N°56				
56	140328461	EPDM OR METRIC 0190-10					
57	147715659	COFFEE DOSE ADJUST. KNOB M5000					
58	146001850	COFFEE DOSE ADJ.GEAR BLACK M5000					
59	U140.009	PANELVIT TCB 3,0X16 DIN 7505 B GAL					

Saeco SUP 018C V2
INTERNATIONAL GROUP FROM S/N. 984044922



SUP 018C V2
FROM S/N. 984044922

ALUMINUM BOILER 230V
UP TO S/N. 9004SA40011851



Cod.741413-20-21-34-37-38
Cod.741450-62-74-1000111

POS	CODE	DESCRIPTION	NOTE	POS	CODE	DESCRIPTION	NOTE
01	147920150	90°CONNECTOR PUMP INLET		36	9011.142	THERMOSTAT RETAINING SPRING	
02	149360200	SILICONE TUBE 5X8 70SR IN ROLL		37	128310504	WASHER UNI 8842 A5 BURN.	
03	149185850	EATON PUMP SUPPORT MAGIC 4002012		38	186400600	FLAT TABS 6,3 D=5,3 0010487200	
04	9070.037.00A	PUMP PO 01 230V 50HZ		39	129575403	SCREW TAPT M5X10 DIN 7500C NICK	
05	NM03.018	OR 2025 NBR		40	140328059	OR 2015 IN SILICONE PTFE/FDA	
06	9071.075	BICONE IN PLASTIC FOR TUBE D.6		41	286472258	SENSOR KIT FOR CA M/S 5000 V2 230V	
07	9071.071	RING NUT FOR TUBE RETAINING D.6		42	189428200	THERMOSTAT 175° 1NT-08L-3794	
08	9071.097	CONNECTOR FOR TUBE D.4		43	127914020	BRASS 90 DEG FIT.1/8 GAS MASTER	
09	NM02.028	OR 2015 EPDM FDA		44		PARTICULAR NOT AVAILABLE	SEE PART. N°22
10	227872100	TEFLON TUBE 2X4 L=235 MM ASSY		45	227872000	CONNECTOR AS. TEFLON 2X4 L=440 MM	
11	283542200	3 POLES CONNECTORS TURB.M5000 ASSY.		46	140321462	OR 2018 IN SILICONE	
12	0311.807	YELLOW HARNESS KLIXON JP 13		47	9161.132	MYLAR WASHER FOR RATIOMOTOR	
13	9011.144	FORK FOR TUBE D.4		48	123390420	NUT 1/8 GAS H=4.5 CH=13 BRASS	
14	142851100	ANTIDISTURB FILTER COVER M5000		49	123270102	NUT M6 FLANGED TOOTHED BASE GALV	
15	129660902	PANELVIT TCB SCREW 3,5X12 D.7505 Z		50		PARTICULAR NOT AVAILABLE	SEE PART. N°58
16	286473300	-M-VDE TURBINE WITH SENSOR KIT	WITH PART. N°17	51	9011.129	BOILER SEAL	SEE PART. N°58
17		PARTICULAR NOT AVAILABLE	SEE PART. N°16	52		PARTICULAR NOT AVAILABLE	SEE PART. N°58
18	9161.018	BRACKET FOR TURBINE		53	11004424	ALUM.SPACER FOR PHILIPS SENSOR MAGIC	
19	144650300	SUCTION FILTER GAUZE NET 500 (NEW		54	U046.004	SCREW TEZF M6,0X26 GALV.	
20	183910450	POWER CABLE SCHUKO BLACK L=1500		55	U044.017	SCREW TSPC M5,0X20 UNI 7688 GALV.	
	183930250	POW.CABLE CH BLACK H05+3FAST.L=1500		56	9161.206	INSULATING SPACER FOR BOILER	
	183950150	P.CABLE ITALY BLACK .H05 + FAST.L=		57	9011.126	ALU.BOILER SUPPORT BRASS	
	183940250	BLACK POWER CABLE AUSTR.H05+FAST.L=1500		58	286472858	SPARES KIT AN/BOIL+SENS.CAB.M5000/F	
	184651100	ANTIDISTURB FILTER 0.47X2+1000Y2+0,5L			286473058	SPARES KIT AN/BOIL+SENS.AS.M5000V2F	
21	184651100	ANTIDISTURB FILTER 0.47X2+1000Y2+0,5L		59	9011.132	SPRING FOR PIN	
22	286891358	GEN.MOTOR FOR RATIOMOTOR M/S 5000 ASSY.	WITH PART. N°23-44	60	227480203	BRASS/NIK.PIN FOR PISTON L=20,9	
23	9121.044	ANTIVIBRATION FOR MOTOR		61	227660103	BRASS PISTON L=20,9 ASSY.	
24	148600600	CABLE CLAMP V0 MAGIC ESP COMBI UL		62	140320462	OR METRICO 0080-20 IN SILICONE	
25	129670202	PANE. TCB SCREW 3,5X16 TESTA D=8 Z		63	9011.100	PEG FOR VALVE IN PLASTIC	
26	123270202	NUT M8 LOW UNI 5589 -A-6S GALVANIZED		64	NM01.035	OR ORM 0090-20 SILICONE	
	289180542	POW.CAB.AS.SCHUKO+ ANTIDIST FILTER		65	NM01.057	OR ORM 0050-20 SILICONE	
		FROM S/N. 20004031594		66	9011.099	M CURSOR FOR BOILER VALVE IN PLASTIC	
27	128310802	WASHER UNI 8842 A8 GALV.		67	327002200	FUSE T6,3 AMP.5X20 RETARDED	
		UP TO S/N. 20004031593		68	183003662	1 STR+ SIL. CABLE BLUE 510 MM	
28	9121.046	SINTERED BUSH FOR MOTOR		69	120001400	ULKA PUMP EP5/S GW 230V-50HZ	
29	148380200	WASHER BAKELIZZATE D=5,5		70	140321961	OR 2031 IN TERMOIL	
30	9121.042	GEAR Z.12/90		71	229451300	PUMP SAFETY VALVE D=8 ULKA PUMP	
31	NE05.042	MICROSWITCH		72	JS01.022	SILICONE TUBE 5X10 60 SHORE IN ROLL	
32	NE05.038	MICROSWITCH		73	126836517	STEEL SPRING RETAIN.3 THE.BOIL. M5	
33	9121.068.150	GEAR Z=108 FOR MOUNTING PLATE M5000			289433200	GEN TURB. AS.UNIFIED FOR M5000	VALID FROM 01/01/99
34	9161.200.920	TRANSPARENT LID FOR RATIOMOTOR M5000					
35	126836402	PROBE LOCKING SPRING FOR BOIL. M50					

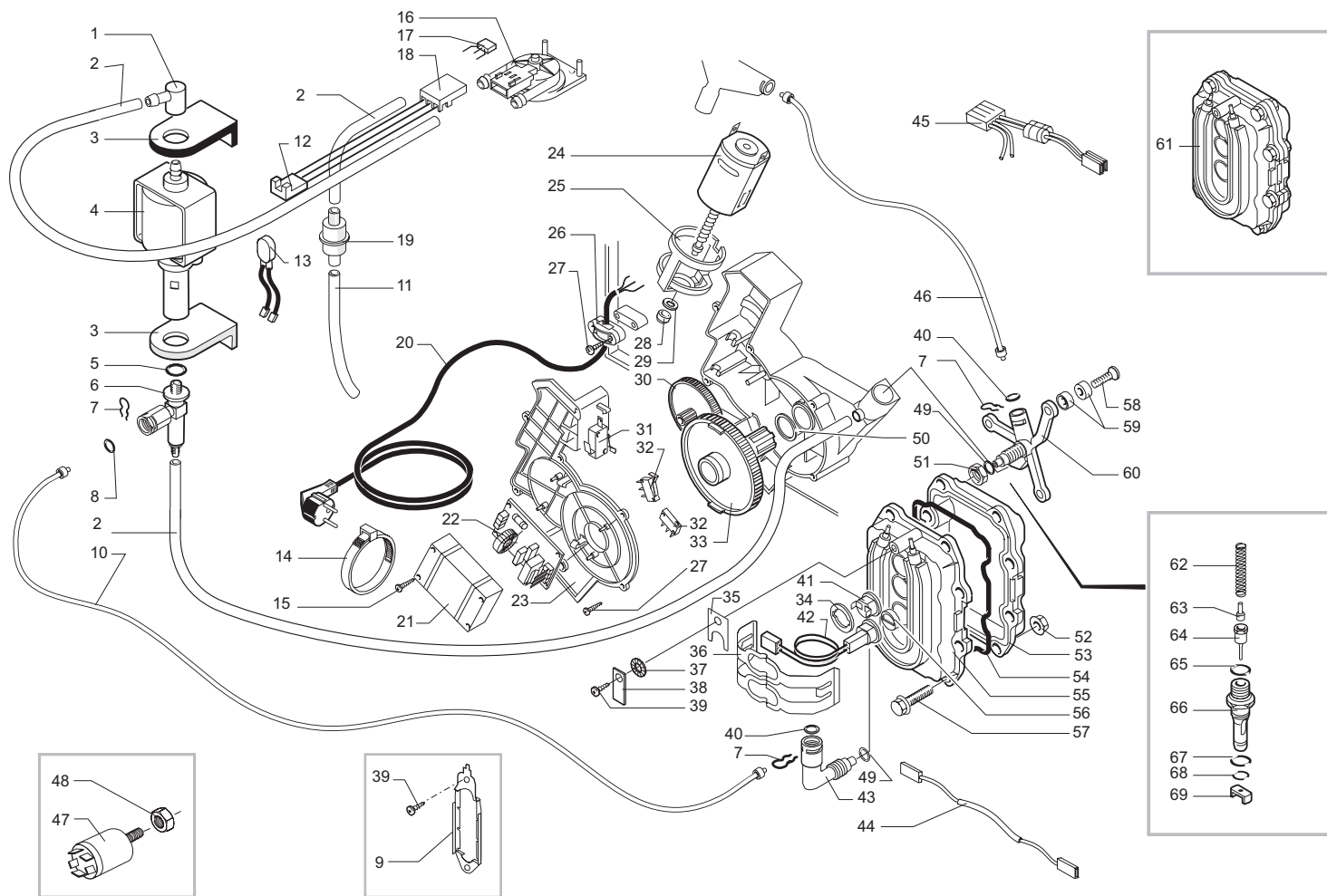


SUP 018C V2
FROM S/N. 984044922

ALUMINUM BOILER 230V
UP TO S/N. 9004SA40011851

Rev. 06 - 21/12/06

TAVOLA 2/5



SUP 018C V2
FROM S/N. 984044922

ALUMINUM BOILER 100-1200V
UP TO S/N. 9004SA40011851



Cod.741413-20-21-34-37-38
Cod.741450-62-74-1000111

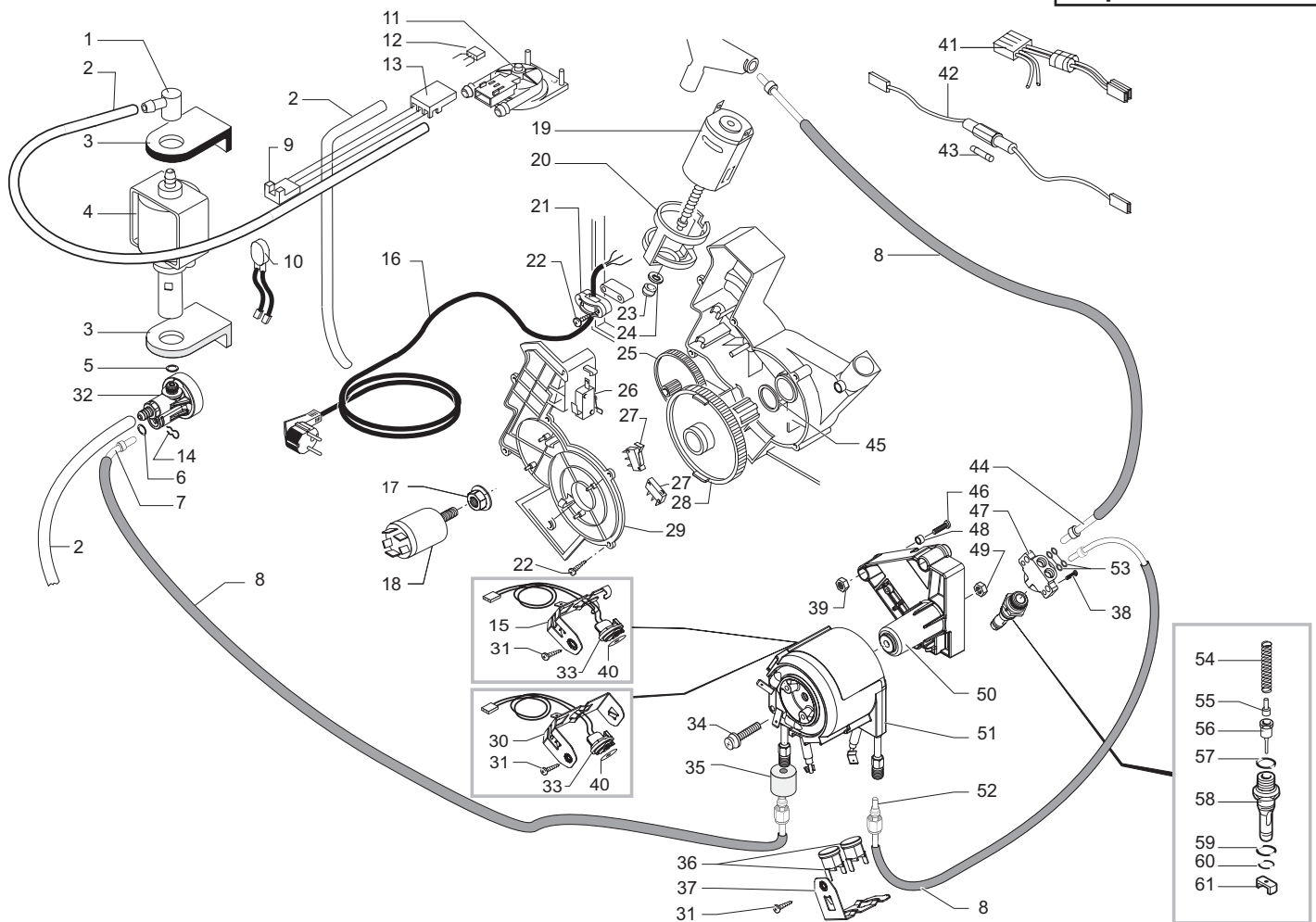
POS	CODE	DESCRIPTION	NOTE
01	147920150	90°CONNECTOR PUMP INLET	
02	149360200	SILICONE TUBE 5X8 70SR IN ROLL	
03	149185850	EATON PUMP SUPPORT MAGIC 4002012	
04	12000131	ULKA PUMP EP5/S 120V-60HZ	
	12000130	ULKA PUMP EP5/S GW 100V-50/60HZ	
05	140321961	OR 2031 IN TERMOIL	
06	229451300	PUMP SAFETY VALVE D=8 ULKA PUMP	
07	9011.144	FORK FOR TUBE D.4	
08	NM02.028	OR 2015 EPDM FDA	
09	126836517	STEEL SPRING RETAIN.3 THE.BOIL. M5	
10	227872100	TEFLON TUBE 2X4 L=235 MM ASSY	
110	JS01.022	SILICONE TUBE 5X10 60 SHORE IN ROLL	
120	283542200	3 POLES CONNECTORS TURB.M5000 ASSY.	
130	289201000	THERMAL. PROTECT 120 C CABLE.125/3	
140	144320500	SELF LOCK STRIP L=290 MM	
150	129660902	PANELVIT TCB SCREW 3,5X12 D.7505 Z	
160	286473300	-M-VDE TURBINE WITH SENSOR KIT	WITH PART. N°17
17		PARTICULAR NOT AVAILABLE	SEE PART. N°16
180	9161.018	BRACKET FOR TURBINE	
190	144650300	SUCTION FILTER GAUZE NET 500 (NEW	
20	183910450	POWER CABLE SCHUKO BLACK L=1500	
	NE01.026	POWER CABLE SJT3C USA GREY 3F.L1500	
	183921360	PO.CABLE SJT3C 16AWG USA GREY.5F.L=1700	
	142844459	GREY COVER FILTER EL.CARD MAGIC	
21	181563155	ELECTR.BOARD 120V FILTERING MAGIC	
23	9161.200.920	TRANSPARENT LID FOR RATIOMOTOR M5000	
24	286891355	GEN.MOTOR FOR RATIOMOTOR M/S5000 UL ASSY	WITH PART. N°25-45
25	9121.044	ANTIVIBRATION FOR MOTOR	
26	148600600	CABLE CLAMP V0 MAGIC ESP COMBI UL	
27	129670202	PANE. TCB SCREW 3,5X16 TESTA D=8 Z	
28	9121.046	SINTERED BUSH FOR MOTOR	
29	148380200	WASHER BAKELIZZATE D=5,5	
30	9121.042	GEAR Z.12/90	
31	NE05.042	MICROSWITCH	
32	NE05.038	MICROSWITCH	
33	9121.068.150	GEAR Z=108 FOR MOUNTING PLATE M5000	
34	9991.085	THERMOSTAT FIXING WASHER	
35	126836402	PROBE LOCKING SPRING FOR BOIL. M50	
36	9011.142	THERMOSTAT RETAINING SPRING	
37	128310504	WASHER UNI 8842 A5 BURN.	
38	186400600	FLAT TABS 6,3 D=5,3 0010487200	
39	129575403	SCREW TAPT M5X10 DIN 7500C NICK	
40	140328059	OR 2015 IN SILICONE PTFE/FDA	

POS	CODE	DESCRIPTION	NOTE
41	189428200	THERMOSTAT 175° 1NT-08L-3794	
42	286472255	SENSOR KIT FOR CA/M/S 5000 V2 120V	
43	127914020	BRASS 90 DEG FIT.1/8" GAS MASTER	
44	183440562	C. 1 ST. SI.BLA.AWG 18 TH/FUSE 192	
45		PARTICULAR NOT AVAILABLE	SEE PART. N°24
46	227872000	CONNECTOR AS. TEFLON 2X4 L=440 MM	
47	NE13.023	EICHHOFF FILTER 16A	
48	123453602	FLANGE NUT M8 TOOTHED BASE GALV.	
49	140321462	OR 2018 IN SILICONE	
50	9161.132	MYLAR WASHER FOR RATIOMOTOR	
51	123390420	NUT 1/8 GAS H=4.5 CH=13 BRASS	
52	123270102	NUT M6 FLANGED TOOTHED BASE GALV	
53		PARTICULAR NOT AVAILABLE	SEE PART. N°61
54	9011.129	BOILER SEAL	
55		PARTICULAR NOT AVAILABLE	SEE PART. N°61
56	11004424	ALUM.SPACER FOR PHILIPS SENSOR MAGIC	
57	U046.004	SCREW TEZF M6,0X26 GALV.	
58	U044.017	SCREW TSPC M5,0X20 UNI 7688 GALV.	
59	9161.206	INSULATING SPACER FOR BOILER	
60	9011.126	ALU.BOILER SUPPORT BRASS	
61	286472854	SPARES KIT AN/BOIL+SENS.CAB.M5000/F	WITH PART. N°53-55
	286473055	SPARES KIT AN/BOIL+SENS.AS.M5000V2F	WITH PART. N°53-55
	9011.132	SPRING FOR PIN	
62	227480203	BRASS/NIK.PIN FOR PISTON L=20,9	
64	227660103	BRASS PISTON L=20,9 ASSY.	
65	140320459	OR METRICO 0080-20 SILICON.PTFE/FDA	
66	9011.100	PEG FOR VALVE IN PLASTIC	
67	NM01.035	OR ORM 0090-20 SILICONE	
68	NM01.057	OR ORM 0050-20 SILICONE	
69	9011.099	M CURSOR FOR BOILER VALVE IN PLASTIC	
	289433200	GEN TURB. AS.UNIFIED FOR M5000	VALID FROM 01/01/99



SUP 018C V2
FROM S/N. 984044922

ALUMINUM BOILER 100-1200V
UP TO S/N. 9004SA40011851



SUP 018C V2 ALUMINUM BOILER WITH RESIST.
FROM S/N. 984044922 FROM S/N. 9004SA40011852



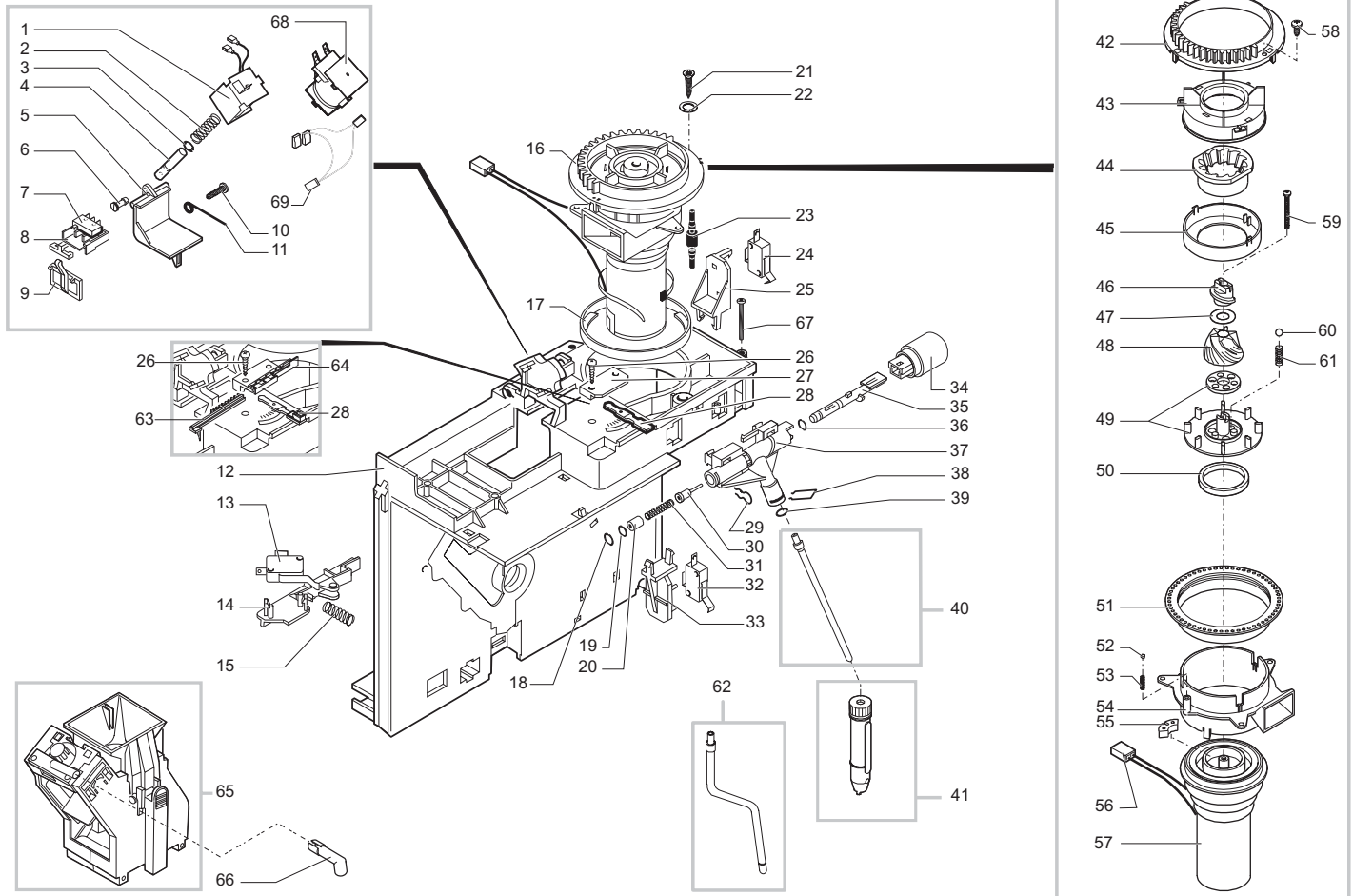
Cod.741413-20-21-34-37-38
Cod.741450-62-74-1000111

POS	CODE	DESCRIPTION	NOTE
01	147920150	90°CONNECTOR PUMP INLET	
02	149360200	SILICONE TUBE 5X8 70SR IN ROLL	
03	149185850	EATON PUMP SUPPORT MAGIC 4002012	
04	12000140	ULKA PUMP EP5/S GW 230V-50HZ	
	12000131	ULKA PUMP EP5/S 120V-60HZ	
05	140321961	OR 2031 IN TERMOIL	
06	NM02.028	OR 2015 EPDM FDA	
07	227874900	CONNECTOR AS.TEFLON 2X4 L=250 MM	
08	149361200	BLACK SILICON TUBE 7,5X9,3 IN ROLL	
09	283542200	3 POLES CONNECTORS TURB.M5000 ASSY.	
10	0311.807	YELLOW HARNESS KLIXON JP 13	
	289201000	THERMAL. PROTECT 120°C CABLE.125/3	
11	286473300	-M-VDE TURBINE WITH SENSOR KIT	WITH PART. N°12
12		PARTICULAR NOT AVAILABLE	SEE PART. N°11
13	9161.018	BRACKET FOR TURBINE	
14	9011.144	FORK FOR TUBE D.4	
15	126838217	SENSOR FIXING SPRING	
		FROM S/N. 9004SA40074125	
16	183910450	POWER CABLE SCHUKO BLACK L=1500	
	183950150	P.CABLE ITALY BLACK .H05 + FAST.L=	
	183930250	POW.CABLE CH BLACK H05+3FAST.L=1500	
17	123453602	FLANGE NUT M8 TOOTHED BASE GALV.	
18	184651100	ANTIDISTURB FILTER 0,47X2+1000Y2+0,5L	
	184651500	ANTIDISTURB FILTER 16A FNC 1610474472A	
19	11003032	GENERAL MOTOR FOR RATIOMOTOR M5000 ASSY.	WITH PART. N°20-41
20	9121.044	ANTIVIBRATION FOR MOTOR	
21	148600600	CABLE CLAMP V0 MAGIC ESP COMBI UL	
22	129670202	PANE. TCB SCREW 3,5X16 TESTA D=8 Z	
23	9121.046	SINTERED BUSH FOR MOTOR	
24	148380200	WASHER BAKELIZZATE D=5,5	
25	9121.042	GEAR Z.12/90	
26	NE05.042	MICROSWITCH	
27	NE05.038	MICROSWITCH	
28	9121.068.150	GEAR Z=108 FOR MOUNTING PLATE M5000	
29	9161.200.920	TRANSPARENT LID FOR RATIOMOTOR M5000	
30	126838017	SENSOR FIXING SPRING	
		UP TO S/N. 9004SA40074124	
31	129573202	SCREW TCB PH/TT 4X8 UNI 8112 ZNP	
32	229452100	COMPENSATION AND SAFETY VALVE 16BAR ASSY	
33	288582200	SENSOR ASS.FOR ALLUM.BOILER AS.	
34	129932202	ROUND HEAD SCREW 10.9 M5X20 GALV	
35	147756562	PROTECTION FOR FOLK SPRING TUBE D=4	
36	189428200	THERMOSTAT 175° 1NT-08L-3794	

POS	CODE	DESCRIPTION	NOTE
37	126838117	2 THERMOSTATS FIXING SPRING	
38	129910103	HI-LO TC SCREW 3,5X15 RIF.910189	
39	U310.003	NUT SELF LOCK.M5 UNI 7473	
		UP TO S/N. 9005SA40278596	
40	145951600	ELECTRIC INSULATING DISK D=16	
41		PARTICULAR NOT AVAILABLE	SEE PART. N°19
42	183003662	1 STR+ SIL. CABLE BLUE 510 MM	230V
	183361062	CABLE 1 WIRE SIL.BLUE AWG18 + FUSE	120V
43	327002200	FUSE T6,3 AMP.5X20 RETARDED	230V
	184950200	FUSE T15 AMP.DELAYED	120V
44	11002649	CONNECTOR AS.TEFLON 2X4 L=480 MM	
45	9161.132	MYLAR WASHER FOR RATIOMOTOR	
46	U044.020	SCREW TSP M5,0X30 UNI 7688 GALV.	
		UP TO S/N. 9005SA40278596	
	129932502	GALVANIZDE SELF DRILLING SCREW 5X30	
		FROM S/N. 9005SA40278597	
47	147922700	BOILER SUPPORT CONNECTOR	
48	9161.206	INSULATING SPACER FOR BOILER	
49	123453902	SELF-LOCKI.NUT M5X0,8 DIN 980 CLA.8	
50	20000203	SPARES KIT SUPPORT BOILER M5000	
		UP TO S/N. 9005SA40278596	
	149197900	SUPPORT FOR ALLUMINIUM BOILER	
		FROM S/N. 9005SA40278597	
51	282058858	ALUM.BOILER WITH RESISTANCE ASS.	230V-1100W
	282058855	ALUM.BOILER WITH RESISTANCE ASS.	120V-275W
52	227876800	CONNECTOR TEFLON 2X4 L=235 MM ASSY.	
53	140328059	OR 2015 IN SILICONE PTFE/FDA	
54	9011.132	SPRING FOR PIN	
55	227480203	BRASS/NIK.PIN FOR PISTON L=20,9	
56	227660103	BRASS PISTON L=20,9 ASSY.	
57	140320459	OR METRICO 0080-20 SILICON.PTFE/FDA	
58	9011.100	PEG FOR VALVE IN PLASTIC	
59	NM01.035	OR ORM 0090-20 SILICONE	
60	NM01.057	OR ORM 0050-20 SILICONE	
61	9011.099	M CURSOR FOR BOILER VALVE IN PLASTIC	



SUP 018C V2 ALUMINUM BOILER WITH RESIST.
FROM S/N. 984044922 FROM S/N. 9004SA40011852

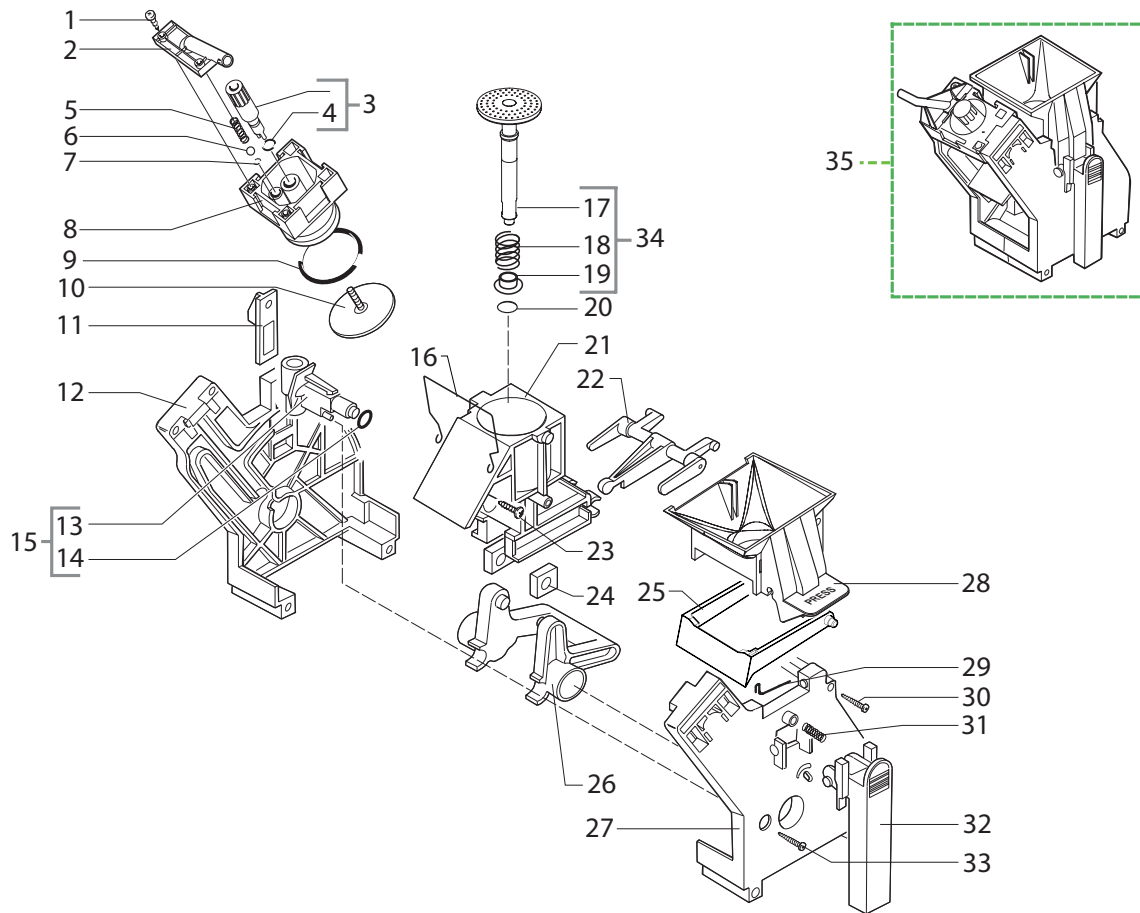


Saeco SUP 018C V2
INTERNATIONAL GROUP FROM S/N. 984044922

CE Cod.741413-20-21-34-37-38
Cod.741450-62-74-1000111

POS	CODE	DESCRIPTION	NOTE	POS	CODE	DESCRIPTION	NOTE
01	9129.A07.00A	COFFEE DOSER COIL ASS.230V UP TO S/N. 20024065687		39	140324461	OR METRIC 0060-20 IN TERMOIL	
	283770755	V2 COFFEE DOSER COIL ASS.120V		40	9011.149	STEAM TUBE ASSY.	
02	126764818	SPRING ELECTROM.BEAN DOSER MAGIC		41	147430163	PANNARELLO AS. GREY PLASTIC	
03	U701.003	SNAP RING 7 UNI 7434			147430161	PANNARELLO AS. GREY /SPIDEM PLASTI	
04	9161.041	DOSER ELECTROMAGNET CORE			147430150	PANNARELLO AS. BLACK PLASTIC	
05	9161.074.150	DOSER DOOR GREY			227430600	PANNAR.ASS.INT.PLASTIC EXT.CHROM.	
06	9161.076.150	DOSER DOOR PIN GREY			227431250	BLACK/BLACK PANNARELLO PLASTIC ASSY.	
07	NE05.017	MICROSWITCH		42	148650250	SECTOR GEARGRIND ADJUSTMENT KNOB COMBI	
08	149185959	BEAN DOSER MICRO SUPORT MAGIC		43	149186150	BLACK UPPER GRINDER SUPPORT MAGIC	
09	148700559	COFFEE DOSER DOSE ADJ. SEL. GR MAG		44		PARTICULAR NOT AVAILABLE	SEE PART. N°48
10	U140.004	PANELVIT TCB 3,0X12 DIN 7505 B GAL		45	142844550	UPPER GRINDER COVER COFFEE GRIND. MAGIC	
11	9161.048	SCRAPER ROD		46	147470763	INCREASE SCREW PIN COFFEE GRINDER MAGIC	
12	9161.249.150	MOUNTING PLATE ASSEMBL.GREY		47	U201.002	PLAIN WASHER 10X16X0,2DIN 988 GAL	
13	186724000	MICROSWITCH SAIA X3M502K8MCM92AU		48	226473500	KIT TECNIA GRINDERS	WITH PART. N°44
14	9161.202.150	COMPENSATOR FOR GROUNDS MICRO		49	149188750	CONICAL GRIND. SUPP. + RING MAGIC	
15	9161.221	SPRING GROUND.MICROSUPP.COMPENSA		50	140360200	FELT RING 40X34X5	
16	286883755	GENER.MOTOR AS. M5000 (STD/V2)	120V	51	146570950	RING NUT FOR GRINDING ADJUSTMENT MAGIC	
	286883754	GENER.MOTOR AS. M5000 (STD/V2)	100V	52	128610421	STAIL.STEEL AISI 304 SPHERE D=3,2MM	
	286883858	GENER.MOT.AS. M5000 (ITALY/V2)	230V	53	126770117	NEW SPRING SPHERE D=3,2 MOTOR MAGIS	
	286883758	GENER.MOTOR AS. M5000 (STD/V2)	230V	54	149186350	GRINDER MOTOR SUP.BLACK MAGIC	
17	9141.052	COFFEEGRINDER REINFORCING RING		55	140230400	SHOCK ABS. CONICAL GRINDER SUPP.MAGIC	
18	140328161	OR D=3,85 X 1,90 IN EPDM		56	283544900	2POLES CONN.AS.COF.GRIN.JP1 33MH CA	230V
19	NM02.028	OR 2015 EPDM FDA			283542600	2 P.CONN.AS. COFF.GRINDJP1 CA	120V
20	9991.112	BUSH FOR FAUCET		57	286851858	MOTOR AS. NEW MAGIC DE LUXE	230V
21	129670202	PANE. TCB SCREW 3,5X16 TESTA D=8 Z			286851855	MOTOR AS. NEW MAGIC DE LUXE	120V
22	U207.004	PLAIN WASHER 4,3X16 UNI 6592 GAL			286851854	MOTOR AS. NEW MAGIC DE LUXE	100V
23	9991.103	ANTIVIBRATION FOR COFFEEGRINDER		58	129511803	SCREW TCB 2,9X6,4 DIN 7981 NICK	
24	NE05.043	MICROSWITCH		59	129931002	TORX SCREW T10 TCB 3,5X40 SX ZNG	
25	9161.207.150	SUPPORT FOR FAUCET MICRO		60	128610521	STAIL.STEEL AISI 304 SPHERE D=5,5MM	
26	129660902	PANELVIT TCB SCREW 3,5X12 D.7505 Z		61	126765517	STEEL SPRING SPHERE D=5,5 MOTOR MAGIC	
27	147571059	GREY LEVER FIX.PLATE W/O DOSE ADJUSTM.		62	229380908	CHROMED STEAM TUBE AS.L=125,88 S5000	
28	9161.122.150	DOSE ADJUSTMENT LEVER GREY CLASSIC			229381708	CHROMED STEAM TUBE AS.L=104,88 M5000	
29	9011.144	FORK FOR TUBE D.4		63	148740450	TOOTHED SLIDE FOR DOSE ADJUST	
30	227660103	BRASS PISTON L=20,9 ASSY.		64	147571850	BLACK LEVER FIXING PLATE + DOSE ADJUSTM.	
31	126765317	STEEL SPRING BOIL. PISTON MAG.9011		65	11004181	BLACK BREW UNIT NEW M5000	
32	186723600	MICROSWITCH SAIA X3M502K2KAM92AS				SEE EXPL. COD. E90050 NEXT PAGES	
33	9161.208.150	SUPPORT FOR DOOR MICRO				NOTE: FOR SINGLE PART. OF THE OLD GROUP	
34	227720963	STEAM KNOB M5000 GREY/7011 S/SCR.				COFFEE' GREY	
	227720953	STEAM KNOB M5000 MET BLACK S/SCREE		66	0311.023.150	SLEEVE FOR DISPENSER	
	227720960	STEAM KNOB M5000 SPID/GREY S/SCR.		67	129661502	SCREW PANELVIT TCB 3X38 DIN 7505 ZN	
35	9161.205	STEAM TAP SHAFT		68	9129.A23.00A	WHOLE COIL M5000/S5000 230V	
36	140328561	OR D=4,18 X 1,90 IN TERMOIL				FROM S/N. 20024065688	
37	9161.204.G	STEAM FAUCET		69	289202800	THERMAL PROTECTOR 100°C CAB.145/280	
38	126764018	SPRING D=1STEAM TUBE HOLDER JUN.				FROM S/N. 20024065688	

Saeco SUP 018C V2
INTERNATIONAL GROUP FROM S/N. 984044922



Saeco® SUP 018



Cod. 11004181

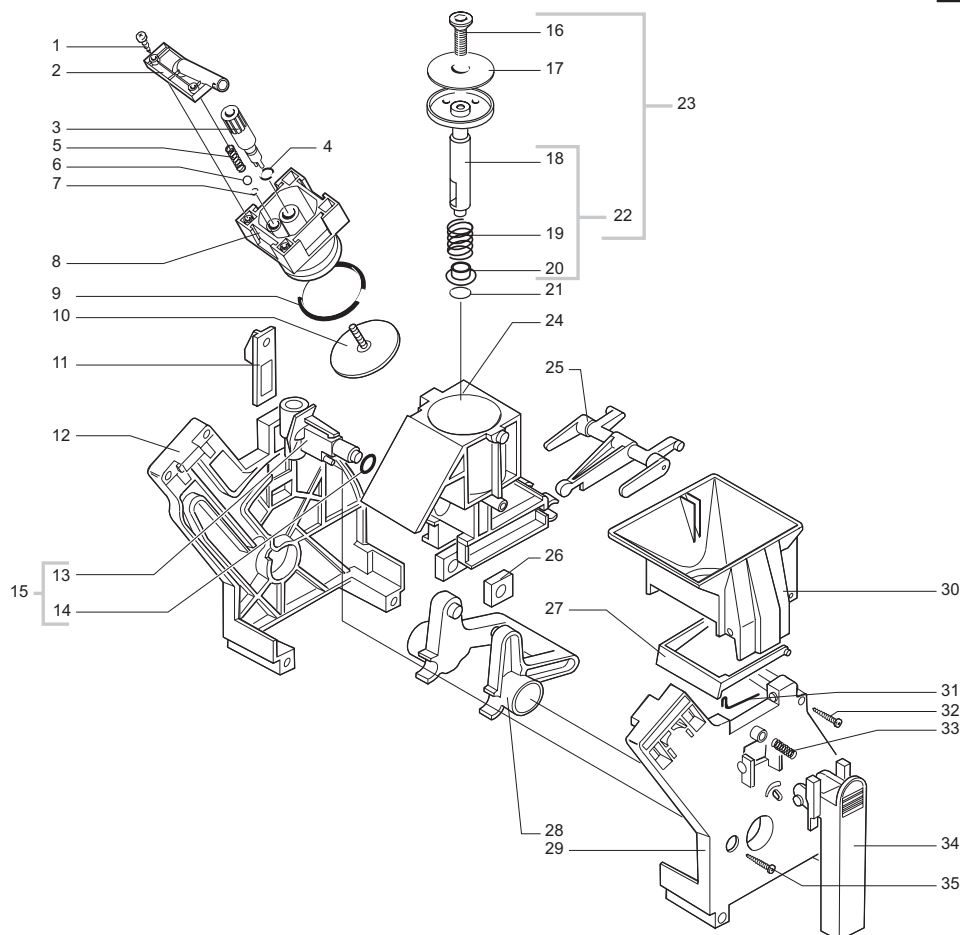
POS	CODICE	DESCRIZIONE	NOTE	POS	CODE	DESCRIPTION	NOTE
01	U140.019	PANELVIT TCB 3,0X16 DIN 7505 B INOX		01	U140.019	PANELVIT TCB 3,0X16 DIN 7505 B SS	
02	11003790	MANICOTTO USCITA CAF.GRUPPO M5000 NERO		02	11003790	BLACK COFFEE OUTLET SLEEVE	
03	227470150	AS.PERNO X DOCCIA COMPLETO NERO		03	227470150	PIN BLACK ASS.FOR PERCOLATOR	
04	NM02.006	OR R5 TERMOIL		04	NM02.006	OR R5 TERMOIL	
05	9161.222	MOLLA CONICA		05	9161.222	CONICAL SPRING	
06	9991.168	SFERA IN VETRO D.5 MM		06	9991.168	GLASS SPHERE D.5MM	
07	NM02.013	OR ORM 0080-15 TERMOIL		07	NM02.013	OR ORM 0080-15 TERMOIL	
08	11003796	CONTROPISTONE X GRUPPO CAFFE' NERO		08	11003796	BLACK COUNTERPISTON FOR COFFEE UNIT	
09	NM01.044	OR ORM 0320-40 SILICONE PTFE/FDA		09	NM01.044	OR ORM 0320-40 SILICONE PTFE/FDA	
10	9160.075	AS.DOCCIA DE=35,8 ELFO CVITE E DADO		10	9160.075	PERCOLATOR DE=35,8 ELFO ASSY.	
11	11004114	PIASTRINA X AGGANCIO GRUPPO CAFFE' NERO		11	11004114	BLACK PLATE FOR UNIT COUPLING	
12	11003792	PIASTRA POSTERIORE GRUPPO CAFFE' NERO		12	11003792	BLACK REAR PLATE FOR UNIT	
13	9161.064.050	MANICOTTO ENTRATA ACQUA NERO		13	9161.064.050	WATER INLET SLEEVE BLACK	
14	NM02.007	OR 2025 IN TERMOIL		14	NM02.007	OR 2025 IN TERMOIL	
15	20000440	GRUPPO RICAMBIO MANICOTTO NERO		15	20000440	BLACK SPARE SLEEVE UNIT	
16	11001556	MOLLA RASATORE H=49 X GRUPPO CAF.SMART		16	11001556	SPRING H=49 FOR COFFEE BREW UNIT SMART	
17	11003077	AS.PISTONE INTEGRALE GRUP.P124 8GR.NERO		17	11003077	BLACK INTEGRAL PISTON UNIT P124 8GR.ASS	
18	9161.198	MOLLA X PISTONE		18	9161.198	SPRING FOR PISTON	
19	9161.191	BOCCOLA X PISTONE NEUTRO		19	9161.191	BUSH FOR PISTON NEUTRAL	
20	NM02.018	OR METRICO 0090-25 IN TERMOIL		20	NM02.018	OR ORM 0090-25 TERMOIL	
21	11003075	AS.CONT.CAF.C/BOCC.SALD.GRUPP124 8G.NER	CON PART. N°20	21	11003075	COFF.CONT.WITH BEAR FOR BREW UNIT P124	WITH PART. N°20
22	11003078	BIELLA X GRUPPO P124 8GR.NERA		22	11003078	BLACK CONNECTING ROD FOR UNIT P124 8GR.	
23	129912521	VITE TCBR 3,5X14 PLAST.INOX		23	129912521	SCREW TCBR TORX 10 3,5X14 PLAST.SS	
24	9161.094.050	BLOCCHETTO FORATO X GRUPPO NERO		24	9161.094.050	DRILLED BLACK BLOCK FOR UNIT	
25	11004161	RASATORE X GRUPPO CAFFE' NERO		25	11004161	BLACK SCRAPER FOR COFFEE UNIT	
26	9161.066.050	ALBERO A GOMITO X GRUPPO NERO		26	9161.066.050	ELBOW SHAFT FOR UNIT BLACK	
27	11003793	PIASTRA ANTERIORE GRUPPO CAFFE' NERO		27	11003793	BLACK FRONT PLATE FOR UNIT	
28	11003795	TRAMOGGIA X GRUPPO CAFF.NERA SER.PRESS		28	11003795	BLACK HOPPER FOR PRESS UNIT	
29	9161.046	MOLLA X RASATORE GRUPPO		29	9161.046	SPRING FOR UNIT SCRAPER	
30	12000897	VITE TCB 3,5X20 PLAST.INOX		30	12000897	SCREW TCB TORX 10 3,5X20 PLAST.SS	
31	9161.045	MOLLA X IMPUGNATURA GRUPPO		31	9161.045	SPRING FOR UNIT HANDGRIP	
32	11003791	IMPUGNATURA X GRUPPO CAFFE' NERA		32	11003791	BLACK HANDGRIP FOR COFFEE UNIT	
33	12000550	VITE TCB 3X25 PLAST.INOX		33	12000550	SCREW TCB TORX 10 3X25 PLAST.SS	
34	11023086	AS.GEN.PISTONE INTEGR.GRUP.CAF.8GR.NER.		34	11023086	BLK 8GR.BREW UNIT NTEGR.PISTON GEN.ASSY.	
35	11004181	GRUPPO CAFFE' M5000 NEW NERO		35	11004181	BLACK BREW UNIT NEW M5000	

Saeco®

GRUPPO CAFFE' M5000 NEW NERO

Rev. 03 - 23/11/09

TAVOLA 1/1



**GRUPPO CAFFE' M5000
X C.A. NON SAECO (CON FORO) GRIGIO**



Cod. 225800559

POS	CODICE	DESCRIZIONE	NOTE	POS	CODE	DESCRIPTION	NOTE
01	U140.019	PANELVIT TCB 3,0X16 DIN 7505 B INOX		001	U140.019	PANELVIT TCB 3,0X16 DIN 7505 B SS	
02	0311.024.150	MANICOTTO USCITA CAF.GRUPPO M5000 GRIGIO		02	0311.024.150	GREY COFFEE OUTLET SLEEVE	
03	227470159	AS.PERNO X DOCCIA COMPLETO GRIGIO		03	227470159	PIN GREY ASS.FOR PERCOLATOR	
04	NM02.006	OR R5 TERMOIL		04	NM02.006	OR R5 TERMOIL	
05	9161.222	MOLLA CONICA		05	9161.222	CONICAL SPRING	
06	9991.168	SFERA IN VETRO D.5 MM		06	9991.168	GLASS SPHERE D.5MM	
07	NM02.013	OR ORM 0080-15 TERMOIL		07	NM02.013	OR ORM 0080-15 TERMOIL	
08	9161.193.150	CONTROPISTONE X GRUPPO CAFFE' GRIGIO		08	9161.193.150	GREY COUNTERPISTON FOR COFFEE UNIT	
09	NM01.044	OR ORM 0320-40 SILICONE PTFE/FDA		09	NM01.044	OR ORM 0320-40 SILICONE PTFE/FDA	
10	223740300	AS.DOCCIA DE=35,8 C/VITE E DADO		10	223740300	PERCOLATOR DE=35,8 ASSY.	
11	147572550	PIASTRINA X AGGANCIO GRUPPO CAFFE' NERO		11	147572550	BLACK PLATE FOR UNIT COFFE.COUPLING	
12	9161.070.150	PIASTRA POSTERIORE GRUPPO CAFFE' GRIGIO		12	9161.070.150	GREY REAR PLATE FOR UNIT	
13	9161.064.150	MANICOTTO ENTRATA ACQUA GRIGIO		13	9161.064.150	WATER INLET SLEEVE GREY	
14	NM02.007	OR 2025 TERMOIL		14	NM02.007	OR 2025 TERMOIL	
15	0301.R04.150	GRUPPO RICAMBIO MANICOTTO GRIGIO		15	0301.R04.150	SPARE SLEEVE UNIT GREY	
16	129852821	VITE TSP M3X14 UNI 7688 INOX		16	129852821	TSP SCREW M3X14 UNI 7688 SS	
17	9161.167	DOCCIA D.35,8		17	9161.167	PERCOLATOR D.35,8	
18	9161.211.050	PISTONE NUOVO NERO CON INSERTO		18	9161.211.050	NEW PISTON WITH INSERT BLACK	
19	9161.198	MOLLA X PISTONE		19	9161.198	SPRING FOR PISTON	
20	9161.191	BOCCOLA X PISTONE NEUTRO		20	9161.191	BUSH FOR PISTON NEUTRAL	
21	NM02.018	OR METRICO 0090-25 IN TERMOIL		21	NM02.018	OR ORM 0090-25 TERMOIL	
22	9161.210.050	PISTONE COMPLETO NERO X GRUPPO		22	9161.210.050	COMPLETE PISTON FOR UNIT GREY	
23	0301.R16.050	GRUPPO RICAMBIO PISTONE NUOVO NERO		23	0301.R16.050	SPARE PISTON UNIT NEW BLACK	
24	9161.195.150	CONTENITORE COMPL.X GRUPPO GRIGIO		24	9161.195.150	COMPLETE CONTAINER FOR UNIT GREY	
25	9161.065.150	BIELLA X GRUPPO GRIGIO		25	9161.065.150	CONNECTING ROD FOR UNIT GREY	
26	9161.094.050	BLOCCETTO FORATO X GRUPPO NERO		26	9161.094.050	DRILLED BLACK BLOCK FOR UNIT	
27	9161.060.150	RASATORE X GRUPPO CAFFE' GRIGIO		27	9161.060.150	GREY SCRAPER FOR COFFEE UNIT	
28	9161.066.150	ALBERO A GOMITO X GRUPPO GRIGIO		28	9161.066.150	ELBOW SHAFT FOR UNIT GREY	
29	9161.071.150	PIASTRA ANTERIORE GRUPPO CAFFE' GRIGIO		29	9161.071.150	GREY FRONT PLATE FOR UNIT	
30	9161.123.150	TRAMOGGIA X GRUPPO CAFF.GRIGIA SER.PRES.		30	9161.123.150	GREY HOPPER FOR PRESS UNIT	
31	9161.046	MOLLA X RASATORE GRUPPO		31	9161.046	SPRING FOR UNIT SCRAPER	
32	U109.026	VITE AUT.TCB 3,5X19 DIN 7981 C INOX		32	U109.026	SS.SCREW AUT.TCB 3,5X19 DIN 7981 C	
33	9161.045	MOLLA X IMPUGNATURA GRUPPO		33	9161.045	SPRING FOR UNIT HANDGRIP	
34	9161.069.150	IMPUGNATURA X GRUPPO CAFFE' GRIGIO		34	9161.069.150	GREY HANDGRIP FOR COFFEE UNIT	
35	U109.027	VITE AUT.TCB 2,9X19 DIN 7981 C INOX		35	U109.027	SS.SCREW AUT.TCB 2,9X19 DIN 7981 C	

**GRUPPO CAFFE' M5000
X C.A. NON SAECO (CON FORO) GRIGIO**

Rev. 03 - 17/01/07

TAVOLA 1/1