

**Saeco**® COM 004 C



Cod. 7 2 14

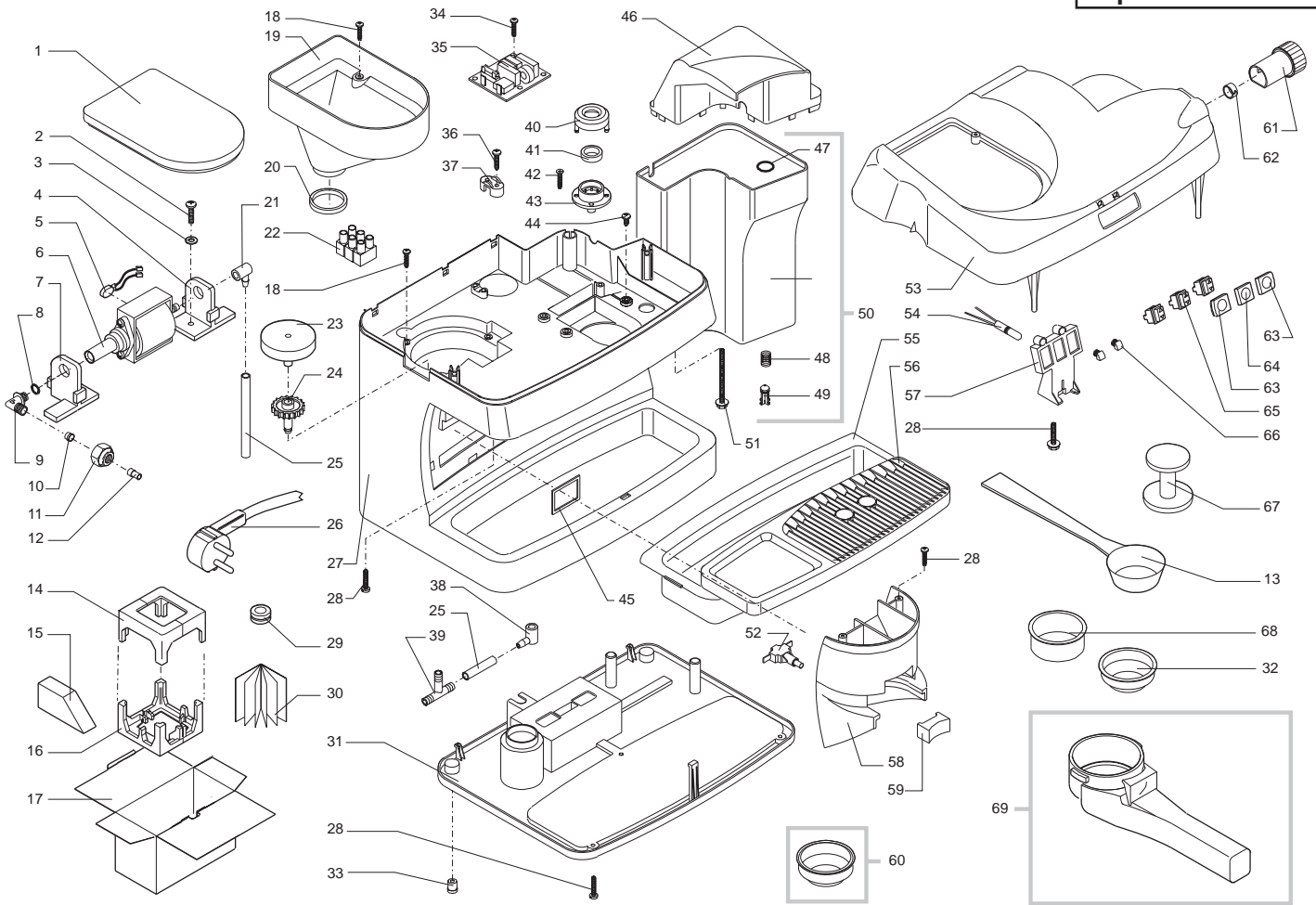
POS	CODE	DESCRIPTION	NOTE
01	142809081	TRANSP/GREY BEAN CONTAINER LID COMBI	
02	129519403	SCREW TCB4,8X15,9 DIN 7981 NICK	
03	128140602	WASHER 6,5X12,5 UNI 6592 GALVANIZ.	
04	149188950	PUMP SUPPORT EX5 + RETAIN.4005012	
05	289200200	THERMAL. PROTECTOR 120°C CABLE.121/121	
	289200900	THERMAL. PROTECT.120°C CABLE.125/2	
	289201100	THERMAL.PROTECT.120°C CABLE.125/280	
06	12000140	ULKA PUMP EP5/GW	230V-50HZ
	12000142	ULKA PUMP EAP5/S	120V-60HZ
07	149189050	PUMP SUPP.EX5 +RETAIN.+ANTIDIS.4008012	
08	140321961	OR 2031 IN TERMOIL	
09	127913620	BRASS CONN.90° 1/8" GAS CYL.15,8X17MM ULKA	
10	121800420	OGIVE BUSH 6 ( DE=8,4 DI =6,2 L=7	
11	123460120	BRASS NUT 1/8" GAS FOR TEFLON TUBE D=6	
12	121840120	BRASS INNER TUBE BUSH ( DE4XD13X10)	
13	146680159	GREY/7016 COFFEE MEASURE	
14	177760700	UPPER POLYSTY. BOX PROTECT. JUNIOR COMBI	
15	175892500	CARDBOARD INSERT ACCESSORIES ESPR.PLUS	
16	177760500	PS-E LOWER BOXES PROTECTION JUNIOR	
17	178500300	DISPLAY BOX SAECO TREVI COMBI	
	178503200	FLEX. BOX SAEC.VIA VENETO DELUX CO	
	178516100	DISPLAY BOX SAECO VIA VENETO COMBI	
	178553400	DISPLAY BOX SPIDEM TREVI COMBI	
	178553500	DISPLAY BOX MIO STAR COMBI	
	178554300	DISPLAY BOX FLAMA COMBI	
	178555000	NEUT. PACKAGING BOX 1CA TYPE COMBI	
	178557500	DISPLAY BOX WEGA HOME COMBI	
18	U140.004	PANELVIT TCB 3,0X12 DIN 7505 B GAL	
19	142712681	GREY/TRANSP.BEAN CONTAINER COMBI	
20	145846200	CIRCULAR SEAL. COFFEE CONT. COMBI	
21	147920150	90° INLET CONNECTOR PUMP	
22	186800400	3 WAY JUNCTION BLOCK PA 27/3	
	186801400	3 WAY JUNCT.BLOCK PA 27/3 + SYMBOLS	
	186802400	3 W. JUNCT.BLOCK+SYMBOLS M-950-02/	
23	226570450	GRIN. ADJ.. KNOB BLACK COMBI S/SCR	
	226570463	GRIN. ADJ. KNOB GREY COMBI S/SCREE	
24	146000850	GEAR COFF. GRIND. ADJUSTMENT COMBI	
25	149360200	SILICONE TUBE 5X8 70SR	IN ROLL
26	183501200	POWER CABLE CH WHITE L=1600 MM	
	183502000	POWER CABLE SCHUKO BLACK L=1600MM	
	183502100	POWER CABLE SCHUKO WHITE L=1600MM	
	183920130	POWER CABLE USA/UL WHITE .L=1600MM	

POS	CODE	DESCRIPTION	NOTE
26	183940550	BLACK POWER CABLE AUSTRAL.H05 VVF L=1600	
27	142574036	WHITE CASING COMBI	
	222387353	CAS. COMBI MET BLACK S/SCRE. -LOCK	
	222390841	CASING COMBI SILVER S/SCREEN SAECO	
	222390853	CASING COMBI M.BLACK S/SCREEN SAECO	
28	129516302	SCREW TCB TORX-AB 3,5X13 UNI 6954	
29	187640100	GROMMET AB/9 BLACK 50SHORE 1017512	
30	165925900	INSTRUC.MANUAL NEUTRAL TYPE COM004A	
	165928500	INSTRUC.MANUAL NEUTRAL TYPE COM004C	
30	165928600	INST.BOOK. MIO STAR MAESTRO GR+E	
31	144702936	WHITE CASING BOTTOM COMBI	
	224700441	CASING BOTTOM COMBI SILVER	
	224700453	CASING BOTTOM COMBI METAL BLACK	
32	224650121	1 CUP FILTER DE.60X21 + VERT. NOTC	
33	147621050	FOOT BLACK H=12,5 GRCREMA 3008012	
34	129590121	SELF TAPSCREW 2,9X6,5 TMC SS	
35	181563655	ELECTR BOARD COMBI JUNIOR	120V
	181563658	ELECTR. BOARD COMBI JUNIOR	230V
36	129660102	PANELVIT TCB SCREW 3,5X18 D.7505 Z	
37	188601000	CABLE RETAINER BLACK	
38	147920550	BLACK 90° CONNECTOR IN NBR	
39	147920300	TEE CONNECTOR D=8 ART.80.26.047 KA.461	
40	0701.031.150	SEAL COVER GREY	
41	145842900	WATER CONTAIN.VALVE SEAL GACO DIM14	
42	129532521	SCREW TSP2,9X9,5 DIN 7982 SS	
43	0701.014.150	SEAL CONTAINER GREY	
44	129519003	SCREW TCB4,8X9,5 DIN 7981 NICK	
45	145846300	RECT. SEAL COFFEE CONVEYER COMBI	
46	142810536	WHITE WATER CONTAINER LID JUN.3	
	222763353	METAL/BLACK WATER CONTAINER LID JUN.3	
	222763341	SILVER WATER CONTAINER LID JUN.3	
47	140324362	OR METRIC 0060-30 IN SILICONE	
48	126764718	SPRING FOR WATER CONTAINER VALVE	
49	147660562	GREY WATER VALVE CONTAINER PISTON	
50	222690781	TRANSP/GREY WATER CONTAINER JUNIOR ASSY.	
51	129517002	SCREW TCB TORX 3,5X50,8 DIN 7981 GA	
52	187950800	UNIPOL.PUSH BUTTON CM/NA ROLD H2.015	
	187950900	UNI.PUSH BUTT. CM/NA UL ROLD A2.01	
53	222810653	COVER M/BLA TYPE3 COM.S/SCR.VVE.CA	
	222832636	COV. WHI. TYPE 3 COMBI S/SCR. TREV	
	222833036	COV WHI.TYPE 3 COMBI S/SCRE MIO ST	
	222833736	COV. WHI. TYPE 3 COMBI S/SCRE FLAM	

**Saeco**® COM 004 C

Rev. 09 - 19/11/08

TABLE 1a/1



**Saeco**® COM 004 C



Cod. 7 2 14

POS	CODE	DESCRIPTION	NOTE	POS	CODE	DESCRIPTION	NOTE
53	222834036	COV. WHI. TYPE 3 COMBI S/SC. MONDI					
	222834753	METBLACK CASING COVER 3 COM.S/SC.SPID.TP					
	222836636	COV.WHI.TYPE 3 COM. S/SC. WEGA HOM					
	222838336	COV.WHI.3 BUT.COM.S/SCRE SA.TREVI					
	222839541	COVER SILVER TYP3 COM.S/SCR.VVENETO					
	222839553	COVER M.BLACK TYP3 COM.S/SC.VVENETO					
54	188542255	LUM.INDIC.ELECTROM./UL GREEN	120V				
	188542258	LUM.INDIC.ELECTROM/VDE GREEN	230V				
55	149643450	BLACK DRIP TRAY JUN.COMBI					
	149643463	GREY DRIP TRAY JUN.COMBI					
56	145741363	GRATE GREY FOR COMBI 1					
	145741750	BLACK GRATE COMBI TYP3					
	145741763	GREY GRATE COMBI TYP3					
57	11006365	BLACK SWITCH SUPPORT FOR JUNIOR 3					
58	144800250	FORK GRO. COFF.CONVEY. COMBI BLACK					
	144800263	FORK GRO.COFF.CONVEY. COMBI GREY					
59	147893350	BUT. INNER CONVEY. FORK COMBI BLA.					
	147893363	BUT. INNER CONVEY. FORK COMBI GREY					
60	124651321	1 CUP FILTER DE 60 JACOBS	MIO STAR				
61	147714150	BLACK KNOB FOR FAUCET SHAFT JUN.					
	147714163	GREY KNOB FOR FAUCET SHAFT JUN.					
62	120460204	RAPID CONNECTOR D=10,6 H=5 SP=1					
63	147894036	WHITE BUTTON SIDE SWITCH JUNIOR 3					
	147894050	BLACK BUTTON SIDE SWITCH JUNIOR 3					
64	147894336	WHITE BUTTON CENTRAL SWITCH JUNIOR 3					
	147894350	BLACK BUTTON CENTRAL SWITCH JUNIOR 3					
65	186074600	UNIP. SWITCH BROWN TL389A4	120V				
	12000901	BLACK SWITCH	230V				
	186075085	GREEN SWITCH S/SCREEN DKXWCXE2T0012W					
66	185070885	SQUARE GREEN LENS FOR JUNIOR TYPE					
67	147800150	TAMPER BLACK ( MALE + FEMALE )					
68	224650221	2 CUP FILTER DE.60X25 + VERT. NOTC					
69	226551550	FI.H. JUNIOR WIDE TONGUE COMPL BLA					
		(SEE EXP. COD. E90001)					
	226551650	ACC SAE PORTAFILTER CREMA BLK	V.VENETO DELUXE				
		(SEE EXP. COD. E90005)					
	226551663	PRESS.FILTERH.ALUM.GREY	TREVI PLUS				
		(SEE EXP. COD. E90005)					
	226551763	GLOSSY/GREY PR.FILTERH.M.STAR COMPLETE					
		(SEE EXP. COD. E90003)					
	226553363	PR.FILTERH.M.STAR COMPL.GLOSSY/GREY	MIO STAR				

**Saeco**® COM 004 C

Rev. 09 - 19/11/08

TABLE 1b/1