

Saeco® COM 006



Cod. 72 15

POS	CODE	DESCRIPTION	NOTE
01	127390100	BRUSH FOR CLEANING	
02	183502000	POWER CABLE SCHUKO BLACK L=1600MM	
	183910660	POWER CABLE SCHUKO GREY L=1500	
	183501000	POWER CABLE CH BLACK L=1600 MM	
	183501100	POWER CABLE .CH GREY L=1600 MM	
	183504000	P.CABLE AUSTRALIA BLACK L=1600MM	
	183920150	P.CABLE USA/UL BLACK L=1600MM	
	183990650	BLACK POWER CABLE TAIWAN HVCTF L=1600	
03	226550650	FILTERH.GRANCREMA TONGUE =25 COMP.BLACK SEE COD. EXPL. E90006	
	226550660	FILTERH.GRANCREMA TONGUE =25 COMP.GREY SEE COD. EXPL. E90006	
	226551663	PRESS.FILTERH.ALUM.GREY SEE COD. EXPL. E90005	
	226551850	BLACK PRESS.FILTERH.BRASS SEE COD. EXPL. E90005	
04	129512903	SCREW TCB PH-AB 2,9X13 UNI 6954 NI	
	129512904	SCREW TCB 2,9X12,7 DIN 7981 BURN	
05	145020500	HOOK WATER ASPIRATION TUBE SUPPORT	
06	146680659	GREY MEASURE WITH HOLE	
07	20000273	KIT POLYST.INSERT FOR BOX MAGIC SINGLE	
08	175892500	CARDBOARD INSERT ACCESSORIES ESPR.PLUS	
09	178553000	DISPLAY BOX SAECO MAGIC COMBI	
	178556900	DISPLAY BOX SAECO MAG.COMBI ALTA	
	178557700	DISPLAY BOX SAEC.MAG. COMB.ECONOM	
	178513400	NEW DISPLAY BOX SAECO MAGIC COMBI	
10	178603400	EXT.BOX FOR 1 CA MAGIC COMBI	
	178603700	EXT.BOX FOR 1 CA MAGIC COMBI HIGH	
11	165928100	INST.BOOK. SAECO MAGIC COMBI	
	165931500	INSTRUC.MANUAL SAECO TYP COM006-COM006L	
12	184650100	ANTIDIS. FILT.F.AH.DA 3100.ZC/4112	
13	129854821	TSP SCREW M4X16 UNI 7688 SS	
14	143591100	SPACER , BLACK ?????????????	
15	148810300	SPACER GRINDER MOTOR MAGIC COMBI	
16	129511903	SCREW TCB 2,9X6,4 DIN 7981 BZ NICK	
17	147754159	GREY WATER CONT.PROTECT.MAGIC ESP/COMBI	
18	184320700	ADHESIVE CLIP 25X25 S8 WIRE RETAIN	
19	222358930	WHITE CASING MAGIC COMBI	
	222358951	BLACK/EMBOSSED CASING MAGIC COMBI	
	222359251	BLACK CASING MAGIC COMBI	
	222359241	SILVER CASING MAGIC COMBI	
20	147623150	BLACK SQUARE ADHESIVE FOOT 5023	
21	288650200	PTC EICH.90° TERM.MAGIC ESPR/COMBI	
22	129022900	PTC BRACKET MAGIC ESPRESS /COMBI	
23	186801400	3 WAY JUNCT.BLOCK PA 27/3 + SYMBOLS	
24	129670202	TCB PANELVIT SCREW 3,5X16 TESTA D=8 ZNP	
25	148600600	CABLE CLAMP V0 MAGIC ESP COMBI UL	
26	128310404	WASHER UNI 8842 A4 BURNISHED	

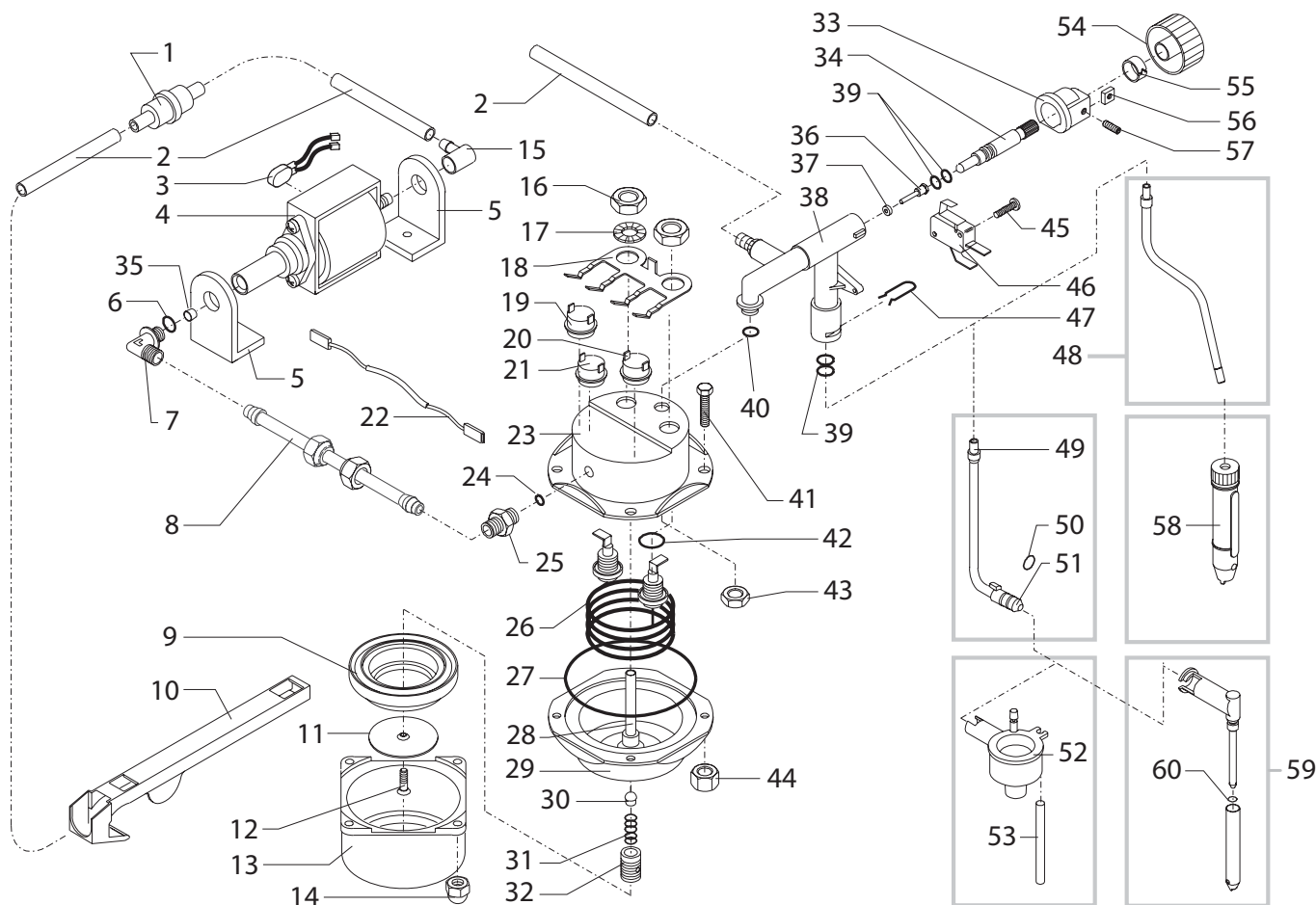
POS	CODE	DESCRIPTION	NOTE
27	128310304	WASHER UNI 8842 A3 BURNISHED	
28	129573202	SCREW TCB TORX 20 M4X8 AUTOFORMING ZN-B	
29	124390403	DOUBLE MALE FAST. 6.3 2 SCREW HOLE	
30	11006366	BLACK PUMP SUPPORT MAGIC ESPRES./COMBI	
31	127534301	STEEL PUMP/BOILER SUPP.PLATE MAGIC COMBI	
32	222680380	TRAS/GREY WATER CONT.MAGIC E/C WHITE MAX	
33	145742001	UNPAINTED GRATE FOR MAGIC COMBI	
34	186075493	ORANGE LUM.UNIP.SWITCH A11631H1X086W	
35	149644130	WHI. DRIP TRAY W/O FILT. MAGIC COM UP TO S/N. 2000222518	
	149644153	BLA. DRIP TRAY W/O FILT. MAGIC COM UP TO S/N. 2000222518	
	149644453	BLA. DR. TRAY W/O FILT.MAG.COM.HIG UP TO S/N. 2000222518	
	229630241	SIL.DRIP TRAY W/O HOLE.MAG.COM.HIG UP TO S/N. 2000222518	
	149645430	DRIP TRAY WHITE WITH HOLE MAGIC CO FROM S/N. 2000222519	
	149645453	DRIP TRAY BLACK W/HOLE MAGIC COMBI FROM S/N. 2000222519	
	149645553	BLACK DRIP TRAY MAGIC COMBI FROM S/N. 2000222519	
	229630641	SILVER DRIP TRAY MAGIC COMBI FROM S/N. 2000222519	
36	222761168	TALB/GREY CUP WARMER LID MAGIC ESP/COMBI	
37	145848400	CUP WARMING LID SEAL MAGIC ESPR./COMBI	
38	222834453	UP. OPEN COV.BLA.S/SCRE MAGIC COMB	
	222834430	UP. OPEN COV.WHI.S/SCRE MAGIC COMB	
	222836253	BLACK UPPER COVER S/SCR.MAGIC CAP.COMBI	
	222836930	UP.CLOSED COV.WHI S/SCR.MAGIC COMB	
	222836241	SILVER UPPER COVER S/SCR.MAGIC CAP.COMBI	
39	128160200	WASHER 5X15 UNI 6593	
40	147800150	TAMPER BLACK (MALE + FEMALE)	
41	142840500	GREEN LENS	
42	142900300	CYLIN.CASING LUM. INDI. 27P0780378	230V
	188541655	LUM.INDIC.+ CYL.CASING 27PM700371	120V
43		PARTICULAR NOT AVAILABLE	SEE PART. N°49
44		PARTICULAR NOT AVAILABLE	SEE PART. N°49
45		PARTICULAR NOT AVAILABLE	SEE PART. N°49
46		PARTICULAR NOT AVAILABLE	SEE PART. N°49
47	122100700	MAGNET D=9,5 X H=1,5 UP TO S/N. 2000222518	
48	123591222	ALUM.SPACER NEW FOR SENSOR MAGIC	
49	286474100	SPARES KIT SWITCH FOR MAGIC ESPRES/COMBI	
50	124653221	POD FILTER F.D=31 MM H=20,2MM P=2 MM	
51	145849762	PRES.FILTER HOLDER SS.BOILER H=11,3	

Saeco®

MAGIC ESPRESSO COMBI

Rev. 08 - 16/12/08

TAVOLA 1/3



Saeco® COM 006



Cod. 72 15

POS	CODE	DESCRIPTION	NOTE
01	144650300	SUCTION FILTER GAUZE NET 500 (NEW)	
02	149360200	SILICONE TUBE 5X8 70SR IN ROLL	
03	183360362	CAB. 3 STR SI. BRO. W/THERMAL 100D	230V
	183360562	CAB. 3 STR SI. BLA. AWG 18 W/THE.1	120V
04	12000140	ULKA PUMP EP5/S GW	230V-50HZ
	12000142	ULKA PUMP EAP5/S	120V-60HZ
05	149181550	PUMP SUPPORT TYPE ULKA	
06	140321961	OR 2031 IN TERMOIL	
07	11001480	TEA/B.CONN.90°1/8"GAS CYL.15,8X17MM ULKA	
08	227870500	CONNECTOR AS. 4X6 L=100 PUMP ULKA	
09	145841500	FILTERHOLD SEAL	
10	149189659	GREY SUCT.TUBE SUPPORT MAGIC ESP/COMBI	
11	123741421	PERCOLATOR DE =48,8 SS BOILER JACOBS	
12	129854021	TSP SCREW M4X8 UNI 7688 SS	
13	220290300	POLISHED FILTERHOLDER LOCKING RING ASSY.	
14	123330120	CAP NUT M5 UNI 5721-69 CL5S	
15	147920150	90° INLET CONNECTOR PUMP	
16	123452000	NUT M 12 X1,25 H= 4,5	
17	128311204	WASHER UNI 8842 A12 BURN.	
18	126836321	3 TH .FIX. SPRING EARTH SYMBOL. ST	230V
	126833921	RESSORT THERMOSTATIQUE	120V
19	189428200	THERMOSTAT 175° 1NT-08L-3794	
20	189422000	THERMOSTAT 95° 1NT-01L-0036	
21	189425100	THERMOSTAT 127° 1NT-01L-0499	
22	183400262	CABLE 1 WIRE SILIC.BROWN TH/FUSE 152°	
23	122902121	UPPER BOILER CASING + BRACKETS W/O VAPIS	
24	140320762	OR 108 IN SILICONE	
25	127960903	TEA/BRASS STRAIGHT FITTING FOR SS.BOILER	
26	188150158	HEAT ELEMENT+TEA/BRASS TERMINAL	230V-900W
	188150151	HEAT ELEMENT+TEA/BRASS TERMINAL	120V-900W
27	140322962	OR 176 IN SILICONE	
28	129310920	TEA/BRASS INTERNAL TUBE FOR SS BOILER	
29	222891400	SS.LOWER BOILER CASING + BRASS/TEA HUB	
30	149450588	65SH SILICONE BOILER SEALING VALVE	
31	126761518	SPRING FOR BOILER VALVE	
32	11001196	VIS DE VALVE CHAUDIERE	
33	142200350	CAM FOR FAUCET SHAFT	
34	11001674	TEA/BRAS.FAUCET SHAFT L=57MM MAGIC COMBI	
35	11003294	STEEL SEALING BUSH FOR EP5/S PUMP	
36	11001485	NIKELED PISTON L=21	
37	11003980	TEFLON SEAL D=6 FOR PISTON	
38	228455603	TEA/BRAS.FAUCET D12 MAGIC SS BOILER ASSY	

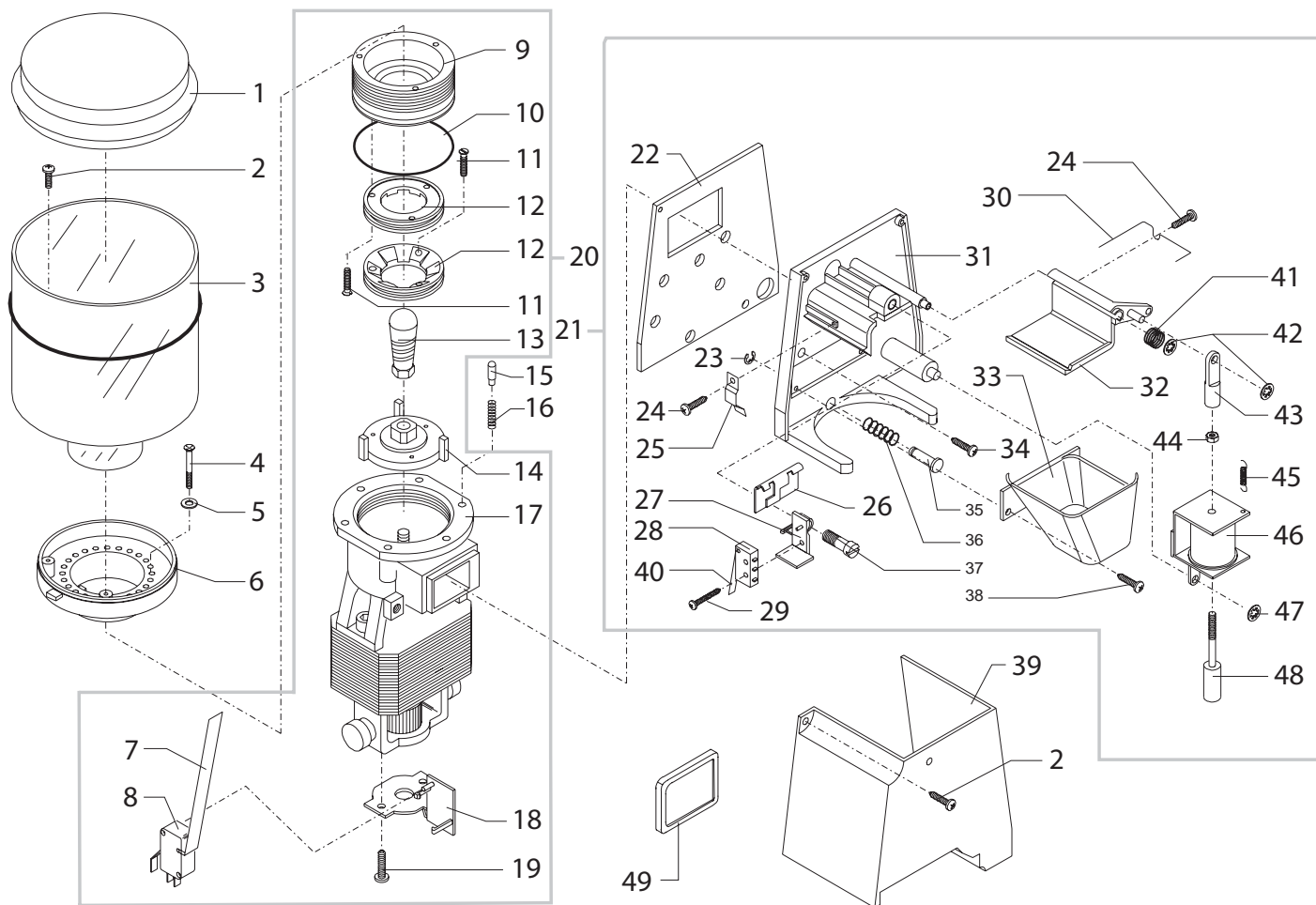
POS	CODE	DESCRIPTION	NOTE
39	140321861	OR 2025 IN EPDM	
40	140323062	OR 2043 IN SILICONE	
41	129680802	SCREW WITH WASHER TE M5X20 GALVANIZ	
42	NM01.021	OR 2050 SILICONE	
43	123390109	TEA/BRASS NUT 1/8 GAS H=6 CH=14	
44	123160502	NUT M5 HIGH UNI 5587-68 GALVANIZED	
45	129822402	TCB SCREW M3X14 UNI 7687 ZNP	
46	186722900	MICROSWITCH SAIA FOR GA52V-88-L20Z	
47	126764018	SPRING D=1STEAM TUBE HOLDER JUN.	
48	229380708	CHROMED STEAM TUBE NOZZLE SEB MAGIC AS.	
49	11002085	ST.STEEL STEAM TUBE L=79 BENT 90° ASSY.	
50	140324461	OR ORM 0060-20 IN TERMOIL	
51	142270600	WHITE TUBE FOR CAPP/PANAR. W/OUT 2 OR	
	142270650	BLACK TUBE FOR CAPP/PANAR.W/OUT 2 OR	
52	142520130	CAPPUCCINATORE AS.NEUTRAL WHITE	
	142520150	CAPPUCCINATORE AS.NEUTRAL BLACK	
53	149360400	TRANSPARENT SILICONE TUBE 3,5X6 IN ROLL	
54	227720462	KNOB D.GREY S/SC. ST. F. SHAFT MAG	
	147711550	KNOB FOR FAUCET SHAFT BLACK IDEA	
55	120460204	RAPID CONNECTOR D=10,6 H=5 SP=1	
56	123451900	SQUARE NUT M4 CH=8 H=2,5 ZNP	
57	125580104	STEI SCREW M4X8 UNI 5929 BURNISHED	
58	147430100	PANNARELLO AS. WHITE PLASTIC	
59	227430530	PANN. AS.WHITE 90 DEGREES	
	227430550	PANNARELLO AS. BLACK 90 DEGREES	
60	140324761	OR METRIC 0050-20 IN TERMOIL	
	282119655	SS BOIL. GEN AS. 120V (MAGIC COMBI	
	282119658	SS BOIL. GEN AS. 230V (MAGIC COMBI	
	282120858	SS BOIL. GEN AS. 230V(MAGIC COM-PA	
	282122058	SS B.GEN AS. 230V(MAGIC COM.CE C/V	
	282122158	SS BOIL.GEN.AS.230V MAG.CO.CAP/WHIT	
	282126955	GEN.SS BOILER MAGIC COMBI 120V ASSY.	
	282126958	GEN.SS BOILER MAGIC COMBI 230V ASSY.	
	282130655	SS BOIL.GEN.AS.120V MAGIC COM.SANIT	

Saeco®

MAGIC ESPRESSO COMBI

Rev. 06 - 16/12/08

TAVOLA 2/3



Saeco® COM 006



Cod. 72 15

POS	CODE	DESCRIPTION	NOTE
01	142800862	D.GREY BEAN CONTAINER LID	
	142800850	OPAQUE /BLACK BEAN CONTAINER LID	
	222801441	SILVER BEAN CONTAINER LID MAGIC COMBI	
02	129513603	SCREW TCB 2,9X19 DIN 7981 NICK	
03	222711940	TRAN/GR.BEAN CONT.MAGIC COM.SS.GOLD AS.	
	222711930	TRAN/GR.BEAN CONT.MAGIC COM.SS.WHITE AS.	
	222711941	TRAN/GR.BEAN CONT.MAGIC COM.SS.SILVER AS.	
04	U043.007	screw TCBC M3,0X8 UNI 7687 GALV.	
05	128310304	WASHER UNI 8842 A3 BURNISHED	
06	146570450	BLACK COFFEEGRIND.ADJUSTMENT RING NUT	
07	126310100	CROUZET LEVER 161 A 50MM 70507526	
08	186720800	MICROSWITCH 83161.1 IW3 83161118	
	186701500	MICROSWITCH 83161.1 IW3 UL/CSA 8316116	
09	9121.045	WORM SCREW FOR MOTOR	
10	140321560	OR 3187 IN NBR	
11	129761402	TC SCREW M3X8 UNI 6107 ZNP	
12	9141.004		
13	9141.001	BRASS NCREMENT SCREW MC	
14	229181722	ALU GRINDER SUPPORT H=23	
15	127472709	MOTOR KNOB STOP PIN MAGIC COMBI	
16	126769118	SPRING FOR KNOB STOP PIN (H=19)	
17	286851258	MOTOR MAGIC COMBI ASSY.	230V
	286851255	MOTOR MAGIC COMBI ASSY.	120V
18	0603.006.050	BRACKET FOR MICRO BLACK	
19	U109.016	screw AUT.TCB 3,9X13 DIN 7981 C	
20	286881858	GENERAL MOTOR MAGIC COMBI ASSY.	230V
	286881855	GENERAL MOTOR MAGIC COMBI ASSY.	120V
21	283712685	BLACK DOSER MAGIC COMBI ASSY.	230V
	283712684	BLACK DOSER MAGIC COMBI ASSY.	120V
	283712683	GREY DOSER MAGIC COMBI ASSY.	230V
	283712682	GREY DOSER MAGIC COMBI ASSY.	120V
22	148810162	DOSER SPACER GREY	
	148810147	DOSER SPACER BLACK	
23	120350104	SHAFT 4 UNI 7434	
24	129511803	SCREW TCB 2,9X6,4 DIN 7981 NICK	
25	126830519	DOSER SPRING PROFI	
26	127570421	OSCILLATING PLA. FOR DOSER PROFI	
27	149020262	MICRO SUPPORT BRACKET GREY	
28	186702700	MICROSWITCH SAIA XCK5	230V
	186702100	MICROSWITCH 83170.4 IW7 83170405	120V
29	129510503	SCREW TCB 2,2X12,7 DIN 7981 NICK	

POS	CODE	DESCRIPTION	NOTE
30	126830618	COFFEE DUMP SPRING L=39 DOSER .PRO UP TO S/N. 992014100	
	126836918	COFF. DUMPER SPRING L=34.5DOS. PRO FROM S/N. 992014101	
31	226472662	"SPARES KIT FOR DOSER "" COMBI GRE	WITH PART. N°30-32
	226472647	"SPARES KIT FOR DOSER "" COMBI BLA	WITH PART. N°30-32
32	147370162	GREY MOBILE PART FOR DOSER PROFI	
33	149260162	HOPPER FOR DOSER GREY PROFI	
34	129512903	SCREW TCB PH-AB 2,9X13 UNI 6954 NI	
35	127470309	PIN FOR DOSER	
36	126761518	SPRING FOR BOILER VALVE	
37	129960202	ADJUSTMENT SCREW	
38	129512503	SCREW TCB 2,9X9,5 DIN 7981 NICK	
39	147750462	DOSER PROTECTION GREY PROFI WHITE	
	227750447	PROT. PAINTED BLA. DOS PROFI BLACK	
40	126311800	CROUZET LEVER 170 A 24MM 79215435	
	146313400	COFFEE DOSER LEVER MICRO MAGIC COMBI	
41	126760818	DOOR LOCKING SPRING	
42	128210400	ELASTIC WASHER FOR SHAFT D=4MM	
43	147470100	CONNECTING PIN	
44	123160302	NUT M3 HIGH UNI 5587 GALVANIZED	
45	126760718	RETURN SPRING ELEC.BOIL. DOS. PROF	
46	283770358	EL.M. ASS CAB.220/220+2CAB. CO.BUS	230V
	283770355	EL.M. ASS CAB.220/220+2CAB.CO.BUSH	120V
47	NF05.001	SNAP RING SHAFT D.4	
48	122590102	ELECTROMAGNET CYLINDER (D9X55)	
49	145849100	GROUND COFFEE OUTLET SEAL MAGIC COMBI	

Saeco®

MAGIC ESPRESSO COMBI

Rev. 10 - 16/12/08

TAVOLA 3/3