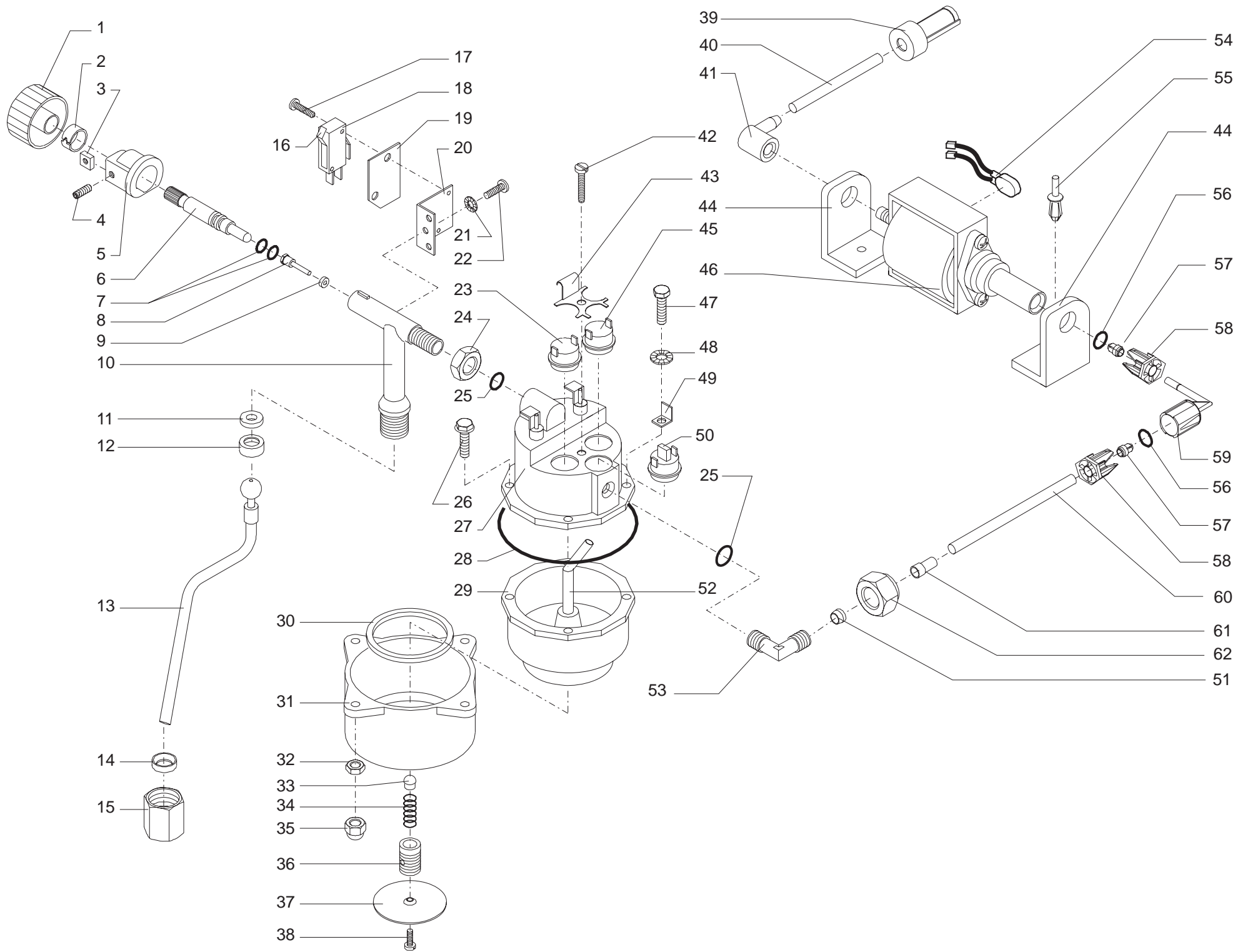
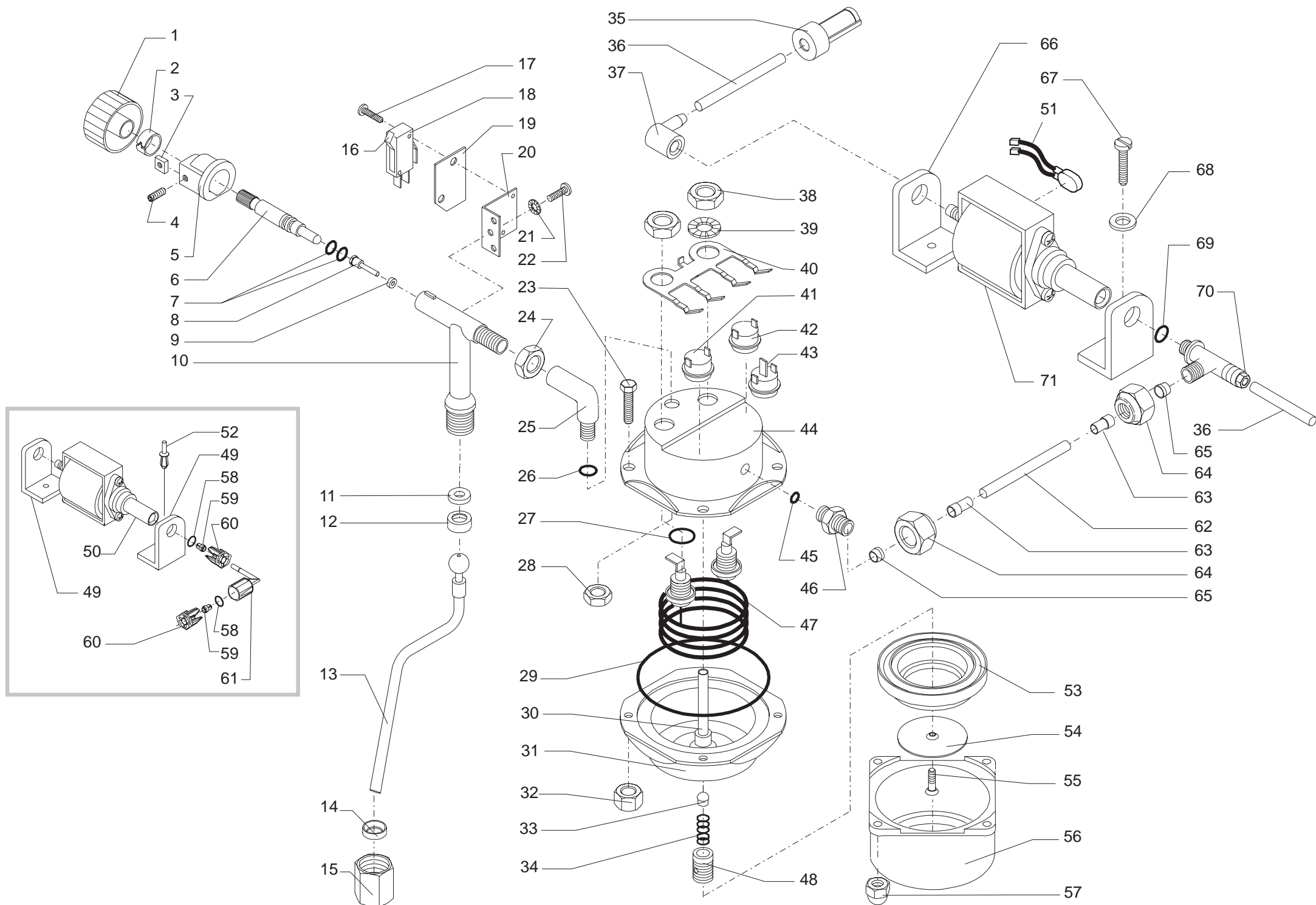


Pos	Article-Nr.	Description	Pos	Article-Nr.	Description
1	178690700	PS-E BOX RIO VAPORE A10/A100	36	147750662	GREY BOILER PLATE GUARD A100/A110
2	178514200	DISPLAY BOX SAECO VIA VENEZIA	37	129590121	SELF TAPSCREW 2,9X6,5 TMC SS
2	178539600	DISPLAY BOX .SAECO RIO VAPORE	37	129821621	TCB SCREW M3X6 UNI 7687 SS
3	165912100	INST.BOOKLET SAECO RIO VAPORE A100	38	122801321	ST.STEEL CUPWARMING LID A10/A100
4	146680159	7016/GREY COFFEE MEASURE	39	128310321	WASHER UNI 8842 A3 SS
5	125740921	STAINLESS STEEL GRATE A100 /A110	40	187640500	GROMMET AB/9 BLACK 75SHORE 1017712
6	149640847	BLACK DRIP TRAY A100/A110	41	NE01.039	***CABLE SCHUKO HO5 BLACK
7	142600362	DARK/GREY REPOSITORY DRAWER A100/A110	41	183920150	BLACK POWER CABLE USA SJT 3X18AWG L=1550
8	149180862	GREY DRIP TRAY SUPPORT A100/A110	41	183500100	POWER CAB.LE ITALY BLACK L=1600MM
9	226550660	FILTERH.GRANCREMA TONGUE =25 COMPL.GREY	41	183504000	P.CABLE AUSTRALIA BLACK L=1600MM
9	226551850	BLACK PRESS.FILTERH.BRASS	41	183506000	BLACK POWER CABLE JAPPON L=1600MM
10	227540530	WHITE BOILER SUPPORT PLATE VAP/PROFI			
10	227540547	BLACK BOILER SUPPORT PLATE VAP/PROFI			
11	222375430	WHITE CASING A100 S/SCR.SAECO RIO VAPORE			
11	222375447	BLACK CASING A100 S/SCR.SAECO RIO VAPORE			
11	222390321	SS CASING A100 S/SCR.SAE V.VENEZ.ESP			
11	222390343	NAVY/BLU CAS.A100 S/SC.SAE VIA VENEZ.ESP			
11	222390360	GRAPH/BLK CAS.A100 S/SCR.SAE V.VENEZ.ESP			
11	222390395	YELLOW CAS.A100 S/SCR.SAE VIA VENEZ.ESP			
12	186051400	BIP. SWITCH GREY ROLD 81063 AS.+++			
12	186051450	BIP. SWITCH BLACK ROLD 81190 ASS			
12	186052400	BIPOL.SWITCH ROLD 81102 X A100/A110 CSA			
13	147620700	BLACK ROUND ADHESIVE FOOT SJ-5003			
14	222680780	TR/BLU WATER CONT.S/S.MAX JURA A100/A110			
15	U109.014	screw AUT.TCB 2,9X16 DIN 7981 C			
16	186801400	3 WAY JUNCT.BLOCK PA 27/3 + SYMBOLS			
17	188600550	BLACK CABLE CLAMP			
18	229650747	BLACK DRIP TRAY A100/A110			
19	128210200	ELASTIC WASHER FOR SHAFT D=2MM			
20	129511803	SCREW TCB 2,9X6,4 DIN 7981 NICK			
21	128310304	WASHER UNI 8842 A3 BURNISHED			
22	147620500	ROUND ADHESIVE FOOT 5025 BLACK			
23	183351400	C. 5 ST.PVC 2 BLA/SIL 1 BRO.2 GREE			
24	142840500	GREEN LENS			
25	182510700	ANTIDIST.CONDENSER R.46 0,1MF 275VAC			
26	142860150	BLACK WATER TANK FUNNEL			
26	142860162	GREY WATER TANK FUNNEL			
27	288750400	PLAST.INSULATE JUNCT.BLOCK 4 WAY			
28	129823802	TCB SCREW M4X8 UNI 7687 ZNP			
29	186400200	DOUBLE TABS 6,3 D=4,3 <=45° 0010397000			
30	128310404	WASHER UNI 8842 A4 BURNISHED			
31	123160402	NUT M4 HIGH UNI 5587 GALVANIZED			
32	186071300	UNIP. SWI. GREY ROLD 81064 A100/A			
32	186071350	UNIP. SWITCH BLA.ROLD 81191 A100/			
32	186073400	UNIPOL.SWITCH ROLD 81103 A100/A110 CSA			
33	183670400	UNIP.SWIT. GREY .ROL 81065 X A100/			
33	183670450	UNIP.SWITCH BLA.ROLD 81192 X A100/			
33	183670500	UNIPOL.SWITCH ROLD 81104 X A100/A110 CSA			
34	129516803	SCREW TCB3,5X19 DIN 7981 NICK			
35	142840762	GREY SCREW COVER PLATE			
36	147750647	BLACK BOILER PLATE GUARD A100/A110			



Pos	Article-Nr.	Description	Pos	Article-Nr.	Description
1	147710362	GREY KNOB FAUCET SHAFT A100/A110	50	189428200	THERMOSTAT 175° 1NT-08L-3794
2	120460204	RAPID CONNECTOR D=10,6 H=5 SP=1	51	121800420	OGIVE BUSH 6 ( DE=8,4 DI =6,2 L=7
3	123451900	SQUARE NUT M4 CH=8 H=2,5 ZNP	52	129310720	INT. BRASS TUBE L=60 MM BRASS BOI
4	125580104	STEI SCREW M4X8 UNI 5929 BURNISHED	53	127910820	CONNECTOR 90°L=34,5 X L=17 1/8"GAS
5	142200350	CAM FOR FAUCET SHAFT	54	289200700	THERMAL. PROTECT.120°C CABLE.125/270
6	120640620	BRASS FAUCET SHAFT L=57 MM	55	148050150	BLACK PLAST. RIVET.D1=9,5 X HOLE D=5,5
7	NM02.001	OR 2018 EPDM	56	NM03.018	OR 2025 NBR
8	11001485	NIKELED PISTON L=21	57	9071.075	BICONE IN PLASTIC FOR TUBE D.6
9	11003980	TEFLON SEAL D=6 FOR PISTON	58	9071.071	RING NUT FOR TUBE RETAINING D.6
11	145840365	SEAL FOR ARTICULA. STEAM TUBE	59	9071.072	90° CONNECTOR
12	148620100	UPPER SEMISPHERE SEAL	60	9971.015	TEFLON TUBE 4X6 L.2 MT
13	129372208	CHROMED STEAM TUBE W/SPH-W/O NOZ.ASSY.	61	11008877	TEA/BRASS INNER TUBE BUSH ( DE4XD13X10)
14	148620200	LOWER SEMISPHERE SEAL	62	123460120	BRASS NUT 1/8"GAS FOR TEFLON TUBE D=6
15	123450308	SELF-LOCK NUT H=21 STEAM TUBE+SPHER	100	282052355	BRA.BOIL.AS.120V (3T+T/TER-TAC.315
16	126310200	CROUZET LEVER 161 F 70507528	100	282052358	BRA.BOIL.AS.230V (3T+T/TER-TAC.315
17	129513203	SCREW TCB 2,9X15,9 DIN 7981 NICK			
18	186701500	MICROSWITCH 83161.1 IW3 UL/CSA 8316116			
19	182580100	INSULATE PROTECTION 25X37,5 FOR MICRO			
20	129180802	MICRO SUPPORT PLA.			
21	128310404	WASHER UNI 8842 A4 BURNISHED			
22	129823802	TCB SCREW M4X8 UNI 7687 ZNP			
23	189425100	THERMOSTAT 127° 1NT-01L-0499			
24	123390420	BRASS NUT 1/8 GAS H=4.5 CH=13			
25	140321462	OR 2018 IN SILICONE			
26	129681502	SCREW WITH WASHER TE M5X25 GALVANIZ			
27	222890353	UP. BOIL CAS. 3 T.+TH/FUSE 12S.M5			
27	222890355	UP. BOIL CAS. 3 T.+TH/FUSE 12S.M5			
27	222890358	UP. BOIL CAS. 3 T.+TH/FUSE 12S.M5			
28	140321262	OR 177 IN SILICONE			
29	222900200	LO. BOIL. CASING 12 SIDED TURNED			
30	145840561	SEAL FOR FILTERH.			
31	220290500	FILTERHOLDER LOCKING RING HOLES D=5 ASSY			
32	123160502	NUT M5 HIGH UNI 5587-68 GALVANIZED			
33	149450588	65SH SILICONE BOILER SEALING VALVE			
34	126761518	SPRING FOR BOILER VALVE			
35	123330120	BRASS CAP NUT M5 UNI 5721-69 CL.5S			
36	129960320	BRASS VALVE HOLDING SCREW FOR BOILER			
37	123740221	PERCOLATOR DE=48,8 DI=4,5			
38	129854021	TSP SCREW M4X8 UNI 7688 SS			
39	144650100	SUCTION FILTER			
40	149360200	SILICONE TUBE 5X8 70SR IN ROLL 25 MT			
41	147920550	BLACK 90° CONNECTOR IN NBR			
42	129764520	TC SCREW M4X6 UNI 6107 BRASS			
43	226830200	RETAIN.SPRING 3 THERM. +THERMAL FUSE			
44	9991.100	PUMP SUPPORT			
45	189421600	THERMOSTAT 92°1NT-01L-0556			
46	20000310	PUMP SUBSTITUTION KIT PO 01 - EX5 230V			
46	187690451	PLASTIC PUMP 110V CONNECTION.90 (9			
47	129723002	TE SCREW M5X27 UNI 5739 ZNP			
48	128310504	WASHER UNI 8842 A5 BURN.			
49	186400100	BENT TABS 6,3 D=5,3 <=90° 0010621000			



Pos	Article-Nr.	Description	Pos	Article-Nr.	Description
1	147710350	BLACK KNOB FAUCET SHAFT A100/A110	52	148050150	BLACK PLAST. RIVET.D1=9,5 X HOLE D=5,5
2	120460204	RAPID CONNECTOR D=10,6 H=5 SP=1	53	145841500	FILTERHOLD SEAL
3	123451900	SQUARE NUT M4 CH=8 H=2.5 ZNP	54	123741421	PERCOLATOR DE =48,8 SS BOILER JACOBS
4	125580104	STEI SCREW M4X8 UNI 5929 BURNISHED	55	129854021	TSP SCREW M4X8 UNI 7688 SS
5	142200350	CAM FOR FAUCET SHAFT	56	220290300	POLISHED FILTERHOLDER LOCKING RING ASSY.
6	120640620	BRASS FAUCET SHAFT L=57 MM	57	123330120	BRASS CAP NUT M5 UNI 5721-69 CL.5S
7	140321461	OR 2018 IN EPDM	58	NM03.018	OR 2025 NBR
8	11001485	NIKELED PISTON L=21	59	9071.075	BICONE IN PLASTIC FOR TUBE D.6
9	11003980	TEFLON SEAL D=6 FOR PISTON	60	9071.071	RING NUT FOR TUBE RETAINING D.6
10	128452403	NIKELED FAUCET FOR SS.BOILER A100-A110	61	9071.072	90° CONNECTOR
11	145840365	SEAL FOR ARTICULA. STEAM TUBE	62	149400100	TEFLON TUBE 4X6 IN ROLL
12	148620100	UPPER SEMISPHERE SEAL	63	121840120	BRASS INNER TUBE BUSH ( DE4XDI3X10)
13	129372108	CHROMED STEAM TUBE W/SPH-W/O NOZ.ASSY.	64	123460120	BRASS NUT 1/8"GAS FOR TEFLON TUBE D=6
14	148620200	LOWER SEMISPHERE SEAL	65	121800420	OGIVE BUSH 6 ( DE=8,4 DI =6,2 L=7
15	123450308	SELF-LOCK NUT H=21 STEAM TUBE+SPHER	66	149181550	PUMP SUPPORT TYPE ULKA
16	126310200	CROUZET LEVER 161 F 70507528	67	129768902	TC SCREW M5X16 UNI 6107 ZNP
17	U109.014	screw AUT.TCB 2,9X16 DIN 7981 C	68	128310504	WASHER UNI 8842 A5 BURN.
18	186701500	MICROSWITCH 83161.1 IW3 UL/CSA 8316116	69	140321961	OR 2031 IN TERMOIL
19	182580100	INSULATE PROTECTION 25X37,5 FOR MICRO	70	11001535	TEA/BRASS CONNECT.D=12+PUMP SAFETY
20	129180802	MICRO SUPPORT PLA.	71	12000140	VΔI VΔE ULKA PUMP EP5/S GW 230V-50HZ
21	128310404	WASHER UNI 8842 A4 BURNISHED			
22	129823802	TCB SCREW M4X8 UNI 7687 ZNP			
23	129680802	GALVANIZ.SCREW WITH WASHER TE M5X20			
24	123390420	BRASS NUT 1/8 GAS H=4.5 CH=13			
25	227910200	TEA/BRASS CONNEC.FOR SS BOILER A100-A110			
26	140323062	OR 2043 IN SILICONE			
27	140322262	OR 2050 IN SILICONE			
28	123390109	TEA/BRASS NUT 1/8 GAS H=6 CH=14			
29	140322962	OR 176 IN SILICONE			
30	129310920	TEA/BRASS INTERNAL TUBE FOR SS BOILER			
31	222891400	SS.LOWER BOILER CASING+BRASS/TEA HUB			
32	123160502	NUT M5 HIGH UNI 5587-68 GALVANIZED			
33	149450588	65SH SILICONE BOILER SEALING VALVE			
34	126761518	SPRING FOR BOILER VALVE			
35	144650100	SUCTION FILTER			
36	149360200	SILICONE TUBE 5X8 70SR IN ROLL 25 MT			
37	147920150	90° INLET PUMP CONNECTOR			
38	123452000	BRASS NUT M 12 X1,25 H= 4,5			
39	128311204	BURN.WASHER UNI 8842 A12			
40	126836321	3 TH .FIX. SPRING EARTH SYMBOL. ST			
41	189422000	THERMOSTAT 95° 1NT-01L-0036			
42	189425100	THERMOSTAT 127° 1NT-01L-0499			
43	189428200	THERMOSTAT 175° 1NT-08L-3794			
44	122902121	SS UPPER BOILER CASING+BRACKET W/O VAPIS			
45	140320762	OR 108 IN SILICONE			
46	127960903	TEA/BRASS STRAIGHT FITTING FOR SS.BOILER			
47	188150158	HEAT ELEMENT+TEA/BRASS TERMINAL230V-900W			
48	11001196	TEA/BRASS VALVE HOLD SCREW SS BOILER			
49	9991.100	PUMP SUPPORT			
50	20000310	PUMP SUBSTITUTION KIT PO 01 - EX5 230V			
51	289200700	THERMAL. PROTECT.120°C CABLE.125/270			