

Saeco SIN 013A

CE Cod. 7114 - 1000091

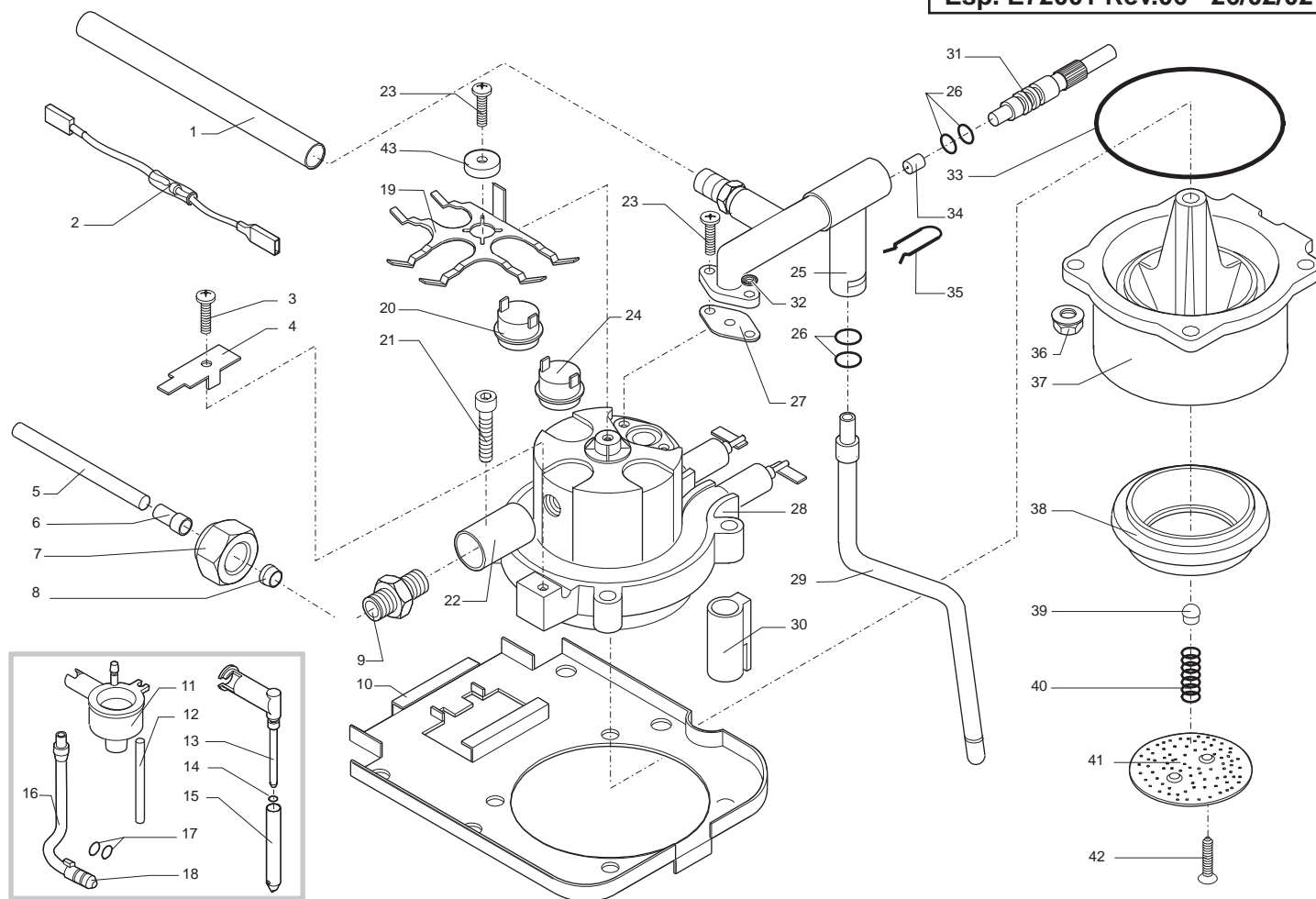
POS	CODE	DESCRIPTION	NOTE	POS	CODE	DESCRIPTION	NOTE
01	289200700	THERMAL. PROTECT.120°C CABLE.125/270	230v	28	222690781	TRANSP/GREY WATER CONTAINER JUNIOR ASSY WITH PART. N° 38-39-40-42-43-44	
02	289200200	THERMAL. PROTECTOR 120°C CABLE.121/121	120V	29	129519003	SCREW TCB4.8X9.5 DIN 7981 NICK	
	12000140	ULKA PUMP EP5/S GW	230V-50HZ	30	12000897	SCREW TCB TORX 10 3,5X20 PLAST.SS	
	12000142	ULKA PUMP EP5/S	120V-60HZ	31	186802400	3 W. JUNCT.BLOCK+SYMBOLS M-950-02/	
	12000130	ULKA PUMP EP5/S RETAIN.	100V-50/60HZ	32	186800400	3 WAY JUNCTION BLOCK PA 27/3	
03	149189050	PUMP SUPPEX5 +RETAIN.+ANTIDIS.4008012		33	188601000	CABLE RETAINER BLACK	
04	140321961	OR 2031 IN TERMOIL			222831936	WHITE COVER JUN.TYPE1 S/SCR.V.VENETO	
05	11001480	TEA/B.CONN.90°1/8" GAS CYL.15,8X17MM ULKA			222831953	MET/BLACK COVER JUN.TYPE1 S/SCR.V.VENETO	
06	11008877	TEA/BRASS INNER TUBE BUSH (DE4XD13X10)			222831957	GREY COVER JUN.TYPE1 S/SCR.V.VENETO	
07	123460120	BRASS NUT 1/8" GAS FOR TEFLON TUBE D=6			222810183	BLUE/OP.COVER JUN.1 S/SCR.VV.MILLEN	
08	121800420	OGIVE BUSH 6 (DE=8,4 DI =6,2 L=7			222831941	SILVER COVER JUN.TYP1 S/SCR.V.VENETO	
09	20000275	KIT POLYST.INSERT FOR BOX JUNIOR SINGLE			222837636	WHITE COVER JUN.1 S/SCR.ESTRO CAFFE	
10	11003294	STEEL SEALING BUSH FOR EP5/S PUMP		34	12000450	SCREW TCB TORX 10 3,5X12 PLAST.ZN-N	
11	175892500	CARDBOARD INSERT ACCESSORIES ESPR.PLUS		35	145741250	BLACK GRATE FOR JUN. TYPE1	
12	165925300	INSTRUC.MANUAL NEUTRAL TYPE SIN013A			145741263	GREY GRATE FOR JUN.TYP1	
13	165933100	INST.BOOK. NEUTRO VIA VENETO SING.		36	149643350	BLACK DRIP TRAY JUN.SING.	
	178559300	FLEXOGRAPH BOX ESTRO CAFFE SING.			149643363	GREY DRIP TRAY JUN.SING.	
	178514000	DISPLAY BOX SAECO VIA VENETO ESPRESSO		37	146680159	GREY/7016 COFFEE MEASURE	
14	129519403	SCREW TCB4.8X15.9 DIN 7981 NICK		38	140324362	OR METRIC 0060-30 IN SILICONE	
15	128140602	WASHER 6,5X12,5 UNI 6592 GALVANIZ.		39	126764718	SPRING FOR WATER CONTAINER VALVE	
16	149188950	PUMP SUPPORT EX5 + RETAIN.4005012		40	147660562	GREY WATER VALVE CONTAINER PISTON	
17	125894021	BALLAST INSERT KG 0,76 FOR JUNIOR		41	12000895	SCREW TSP TORX 10 3X10 PLAST.SS	
18	222386436	WHITE CASING JUN.S/SCREEN SAECO		42	0701.031.150	SEAL COVER GREY	
	222386453	METAL/BLACK CASING JUN.S/SCREEN SAECO		43	145842900	WATER CONTAIN. VALVE SEAL GACO DIM14	
	222386457	GREY CASING JUN.S/SCREEN SAECO		44	0701.014.150	SEAL CONTAINER GREY	
	222386483	OP/BLUE CASING JUN.S/SCREEN SAECO		45	226551550	FI.H. JUNIOR WIDE TONGUE COMPL.BLA	
	222387136	WHITE CASING JUN.S/SCR.SAECO+ARR.+LOCK			226551563	SEE COD. EXPL. E90001 NEXT PAGES	
	222387141	SILVER CASING JUN.S/SCR.SAECO+ARR.+LOCK			226551650	FI.H. JUN. WIDE TONGUE COMPL.GREY	
	222387153	MET/BLACK CASING JUN.S/S.SAEC+ARR.+LOCK			226551663	SEE COD. EXPL. E90001 NEXT PAGES	
	222392036	WHITE CASING JUN.S/SCR.SAECO+ARROW	JAPAN		226550263	ACC SAE PORTAFILTER CREMA BLK	
	222392083	OP/BLUE CASING JUN.S/SCR.SAECO+ARROW	JAPAN		226551763	SEE COD. EXPL. E90005 NEXT PAGES	
	142573936	WHITE CASING JUN.N/SILK/SCREEN			147714150	PRESS.FILTERH.ALUM.GREY	
19	183502000	POWER CABLE SCHUKO BLACK L=1600MM		46	147714150	BLACK KNOB FOR FAUCET SHAFT JUN.	
	183501200	POWER CABLE CH WHITE L=1600MM			147714163	GREY KNOB FOR FAUCET SHAFT JUN.	
	183920130	POWER CABLE USA/UL WHITE .L=1600MM		47	120460204	RAPID CONNECTOR D=10,6 H=5 SP=1	
	183920150	P.CABLE USA/UL BLACK L=1600MM		48	286474200	SPARES KIT SWITCH FOR VIA VENETO	
	183960150	P.CABLE ISRAEL BLACK H05 L=1500MM		49	145849762	PRES.FILTER HOLDER SS.BOILER H=11,3	
	183980250	POWER CABLE JAPPON VCTF BLACK L=1600MM		50	124652821	POD FILTER FD=31MM H=20,2MM P=1,5MM	
	183504000	P.CABLE AUSTRALIA BLACK L=1600MM		51	224650221	2 CUP FILTER DE.60X25 + VERT. NOTC	
	NE01.039	CABLE SCHUKO H05 BLACK			124650221	2CUP FILTER 54.5X25 W/O.NOTH.HOLE D=48	
	183940550	BLACK POWER CABL. AUSTR.H05 VVF L=1600MM		52	224650121	1 CUP FILTER DE.60X21 + VERT. NOTC	
	11000530	POWER CABLE ARGENTINA WHITE L=1600MM			124650121	1 CUP FILTER DE.60X21 W/O NOTCHES	
20	129517002	SCREW TCB TORX 3,5X50,8 DIN 7981 GA		53	178604100	EXT.BOX 1CA JUNIOR ESPRES	
21	149211063	NYLON PRESSURE CAP HOLE D=4		54	147920150	90° INLET CONNECTOR PUMP	
22	187640100	GROMMET AB/9 BLACK 50SHORE 1017512		55	147920300	TEE CONNECTOR D=8 ART.80.26.047 KA.461	
23	144702736	WHITE CASING BOTTOM JUN.		56	147920550	BLACK 90° CONNECTOR IN NBR	
	144702750	BLACK CASING BOTTOM JUN.				X BOILER SEE COD. EXPL. E72001-E72002 NEXT PAGES	
	144702757	GREY/7035 CASING BOTTOM JUN.					
	224700341	SILVER CASING BOTTOM JUN.					
	224700353	METAL/BLACK CASING BOTTOM JUN.					
24	147621050	FOOT BLACK H=12,5 GRCREMA 3008012					
25	U109.013	SCREW TCB 3,5X13 UNI 6954 NIK					
26	149360200	SILICONE TUBE 5X8 70SR IN ROLL					
27	142808981	TRANSP/GREY WATER CONTAINER LID JUN.1-2					
28	142694681	TRANSP/GREY WATER CONTAINER JUN.					

Saeco

VIA VENETO

Rev. 11 - 11/12/08

TAVOLA 1/1



SIN 013 - COM 004 (ALUMINIUM BOILER)

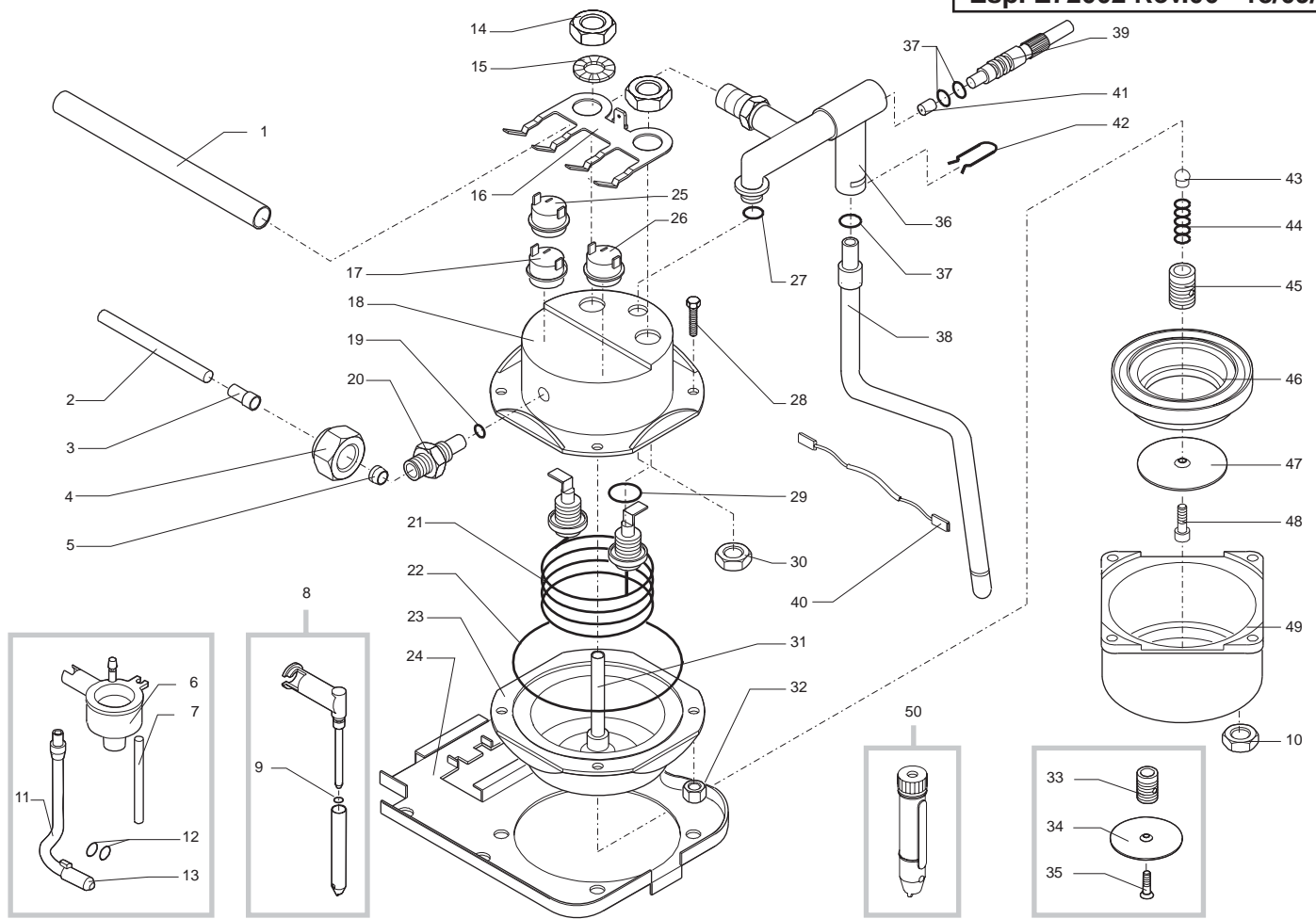


Cod. 7 1 14 - 7 2 14

POS	CODE	DESCRIPTION	NOTE	POS	CODE	DESCRIPTION	NOTE
01	149360200	SILICONE TUBE 5X8 70SR	IN ROLL	40	126761518	SPRING FOR BOILER VALVE	
02	183430962	CABLE 1WIRE SILIC.BROWN TH/FUSE 184°			126770818	SPRING FOR ALU. BOILER SEALING VALVE	
03	129573202	SCREW TCB TORX 20 M4X8 AUTOFORMING ZN-B		41	123741722	ALUM.PERCOL.FOR ALUM.BOILER JUNIOR	
04	126834202	2 T.FUSE FIX.SPRING TYPE 1TONG. WEARTH		42	129580721	SCREW TSP TORX 10 M3X8 AUTOFORMING SS	
05	149400100	TEFLON TUBE 4X6	IN ROLL	43	128171020	BRASS WASHER DE =16 SPRING HOLD THERM.	
06	121840120	BRASS INNER TUBE BUSH (DE4XD13X10)					
07	123460120	BRASS NUT 1/8" GAS FOR TEFLON TUBE D=6					
08	121800420	OGIVE BUSH 6 (DE=8,4 DI =6,2 L=7					
09	127960120	BRASS STRAIGHT CONNECTOR 1/8" GAS					
10	127533202	BOILER +PUMP SUPPORT PLA. JUNIOR					
11	142520130	CAPPUCCINATORE AS.NEUTRAL WHITE					
	142520150	CAPPUCCINATORE AS.NEUTRAL BLACK					
12	149360400	TRANSPARENT SILICONE TUBE 3,5X6	IN ROLL				
13	142270530	WHITE CENTRAL TUBE FOR PANNARELLO 90°					
14	140324761	OR METRIC 0050-20 IN TERMOIL					
15	126530108	CHROMED EXTERN.SLEEVE FOR PANNARELLO					
16	129376208	CHROMED STEAM TUBE PANNAR/CAPPUCIN.ASSY.					
17	140320200	OR R5/A IN TERMOIL					
18	142270600	WHITE TUBE FOR CAPP/PANAR. W/OUT 2 OR					
19	126834921	ALUM.BOILER THERM.FIXING SPRING JUNIOR					
20	189425100	THERMOSTAT 127° 1NT-01L-0499					
21	129899102	TCEI SCREW M6X30 UNI 5931 CL.8.8 Z					
22	149360900	SILICONE TUBE 10X1,9	IN ROLL				
23	129583102	SCREW TCB M4X12 AUTOFORMING ZN-B					
24	189422000	THERMOSTAT 95° 1NT-01L-0036					
25	228455300	FA.AS. D=12 W/S.VALVE AL. BOIL. JU					
26	140321861	OR 2025 IN EPDM					
27	145845362	SILIC.SEAL FOR ALUM.BOILER FAUCET JUNIOR					
28	282901658	ALUM.UPPER CASING BOILER JUN.230V ASSY.					
	282901655	ALUM.UPPER CASING BOILER JUN.120V ASSY.					
29	229380508	CHROMED STEAM TUBE 100° NOZLE SEB ASSY					
30	147754763	BLACK PROTECTION STEAM TUBE BOILER					
31	120643220	BRASS FAUCET SHAFT L=65,5 TEFLON BUSH					
32	128310404	WASHER UNI 8842 A4 BURNISHED					
33	140325962	OR 3212 IN SILICONE					
34	141910764	V125 BUSH DE=7,15 DI=2,5 L=7					
35	126764018	SPRING D=1STEAM TUBE HOLDER JUNIOR					
36	123270102	NUT M6 FLANGED TOOTHED BASE GALV.					
37	222920300	GLOSSY AL.LOWER BOILER CASING JUN.ASSY.					
38	145845462	ALU.BOILER FILTERHOLDER SIL.SEAL JUNIOR					
39	149450588	65SH SILICONE BOILER SEALING VALVE					

SIN 013 - COM 004 (ALUMINIUM BOILER)

TAVOLA 1/1



SIN 013 - COM 004 (INOX BOILER)

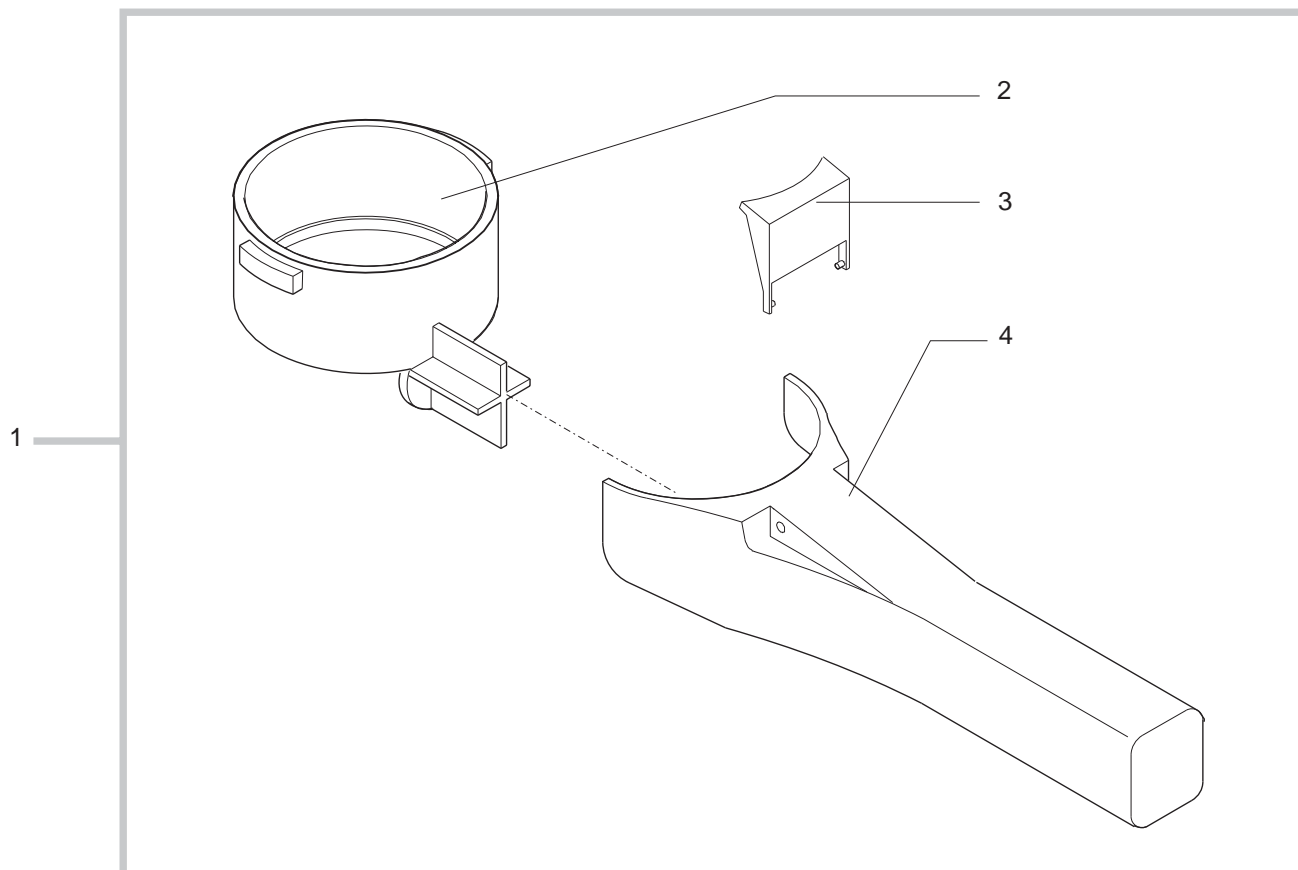


Cod. 7 1 14 - 7 2 14

POS	CODE	DESCRIPTION	NOTE	POS	CODE	DESCRIPTION	NOTE
01	149360200	SILICONE TUBE 5X8 70SR	IN ROLL	37	140321861	OR 2025 IN EPDM	
02	149400100	TEFLON TUBE 4X6	IN ROLL	38	229380508	CHROMED STEAM TUBE 100° NOZLE SEB ASSY	
03	121840120	BRASS INNER TUBE BUSH (DE4XD13X10)		39	120643220	BRASS FAUCET SHAFT L=65,5 TEFLON BUSH	
04	123460120	BRASS NUT 1/8" GAS FOR TEFLON TUBE D=6		40	183404462	CABLE 1 WIRE SILIC. BROWN TH/FUSE 152°	100V-120V
05	121800420	OGIVE BUSH 6 (DE=8,4 DI=6,2 L=7)		41	141910764	V125 BUSH DE=7,15 DI=2,5 L=7	
06	142520130	CAPPUCCINATORE AS.NEUTRAL WHITE		42	126764018	SPRING D=1STEAM TUBE HOLDER JUNIOR	
	142520150	CAPPUCCINATORE AS.NEUTRAL BLACK		43	149450588	65SH SILICONE BOILER SEALING VALVE	
07	149360400	TRANSPARENT SILICONE TUBE 3,5X6	IN ROLL	44	126761518	SPRING FOR BOILER VALVE	
08	227430530	PANN. AS.WHITE 90 DEGREES		45	129960320	BRASS VALVE HOLDING SCREW FOR BOILER	
09	140324761	OR METRIC 0050-20 IN TERMOIL		46	145841500	FILTERHOLD SEAL	
10	123300102	NUT M5 THIN UNI 5590 -65 GALVANIZE		47	123740221	PERCOLATOR DE=48,8 DI=4,5	
11	129376208	CHROMED STEAM TUBE PANNAR/CAPPUCIN.ASSY.		48	129931421	ROUND HEAD SCREW D=8 M4X6 SS	
12	140324461	OR ORM 0060-20 IN TERMOIL		49	220290200	POLISHED FILTERHOLDER LOCKING RING ASSY.	
13	142270300	TUBE+W/O RETAIN. CAPPUCCIN +O/2OR		50	147430100	PANNARELLO AS. WHITE PLASTIC	
	142270650	BLACK TUBE FOR CAPP/PANAR.W/OUT 2 OR					
14	123452000	BRASS NUT M 12 X1,25 H= 4,5					
15	128311204	BURN.WASHER UNI 8842 A12					
16	126836321	3 TH. FIX. SPRING EARTH SYMBOL. ST					
	126833921	STEEL 2THERM.FIXING SPRING	100V				
17	189425100	THERMOSTAT 127° 1NT-01L-0499					
18	122902121	SS UPPER BOILER CASING+BRACKET W/O VAPIS					
19	140320762	OR 108 IN SILICONE					
20	127960920	BRASS STRAIGHT FITTING FOR SS.BOILER					
21	188150358	HEAT ELEMENT 230V-900W FOR SS BOILER					
	188150351	HEAT ELEMENT 120V-900W FOR SS BOILER					
	188150354	HEAT ELEMENT 100V-900W FOR SS BOILER					
22	140322962	OR 176 IN SILICONE					
23	222890600	SS LOWER BOILER CASING+BRASS HUB					
24	127533202	BOIL. +PUMP SUPPORT PLA. JUNIOR					
25	189428200	THERMOSTAT 175° 1NT-08L-3794					
26	189422200	THERMOSTAT 95° 1NT-01L-4068					
27	140323062	OR 2043 IN SILICONE					
28	129680802	GALVANIZ. SCREW WITH WASHER TE M5X20					
29	140322262	OR 2050 IN SILICONE					
30	123390520	BRASS NUT 1/8 GAS H=6 CH=14					
31	129311220	BRASS INTERNAL TUBE FOR SS BOILER					
32	123160502	NUT M5 HIGH UNI 5587-68 GALVANIZED					
33	129960820	BRASS VALVE HOLD SCREW SS BOILER	FOR POD				
34	123741421	PERCOLATOR DE =48,8 SS BOILER JACOBS	FOR POD				
35	129854021	TSP SCREW M4X8 UNI 7688 SS	FOR POD				
36	228455400	BRASS FAUCET D=12 W/S.VALVE SS BOIL.ASSY					

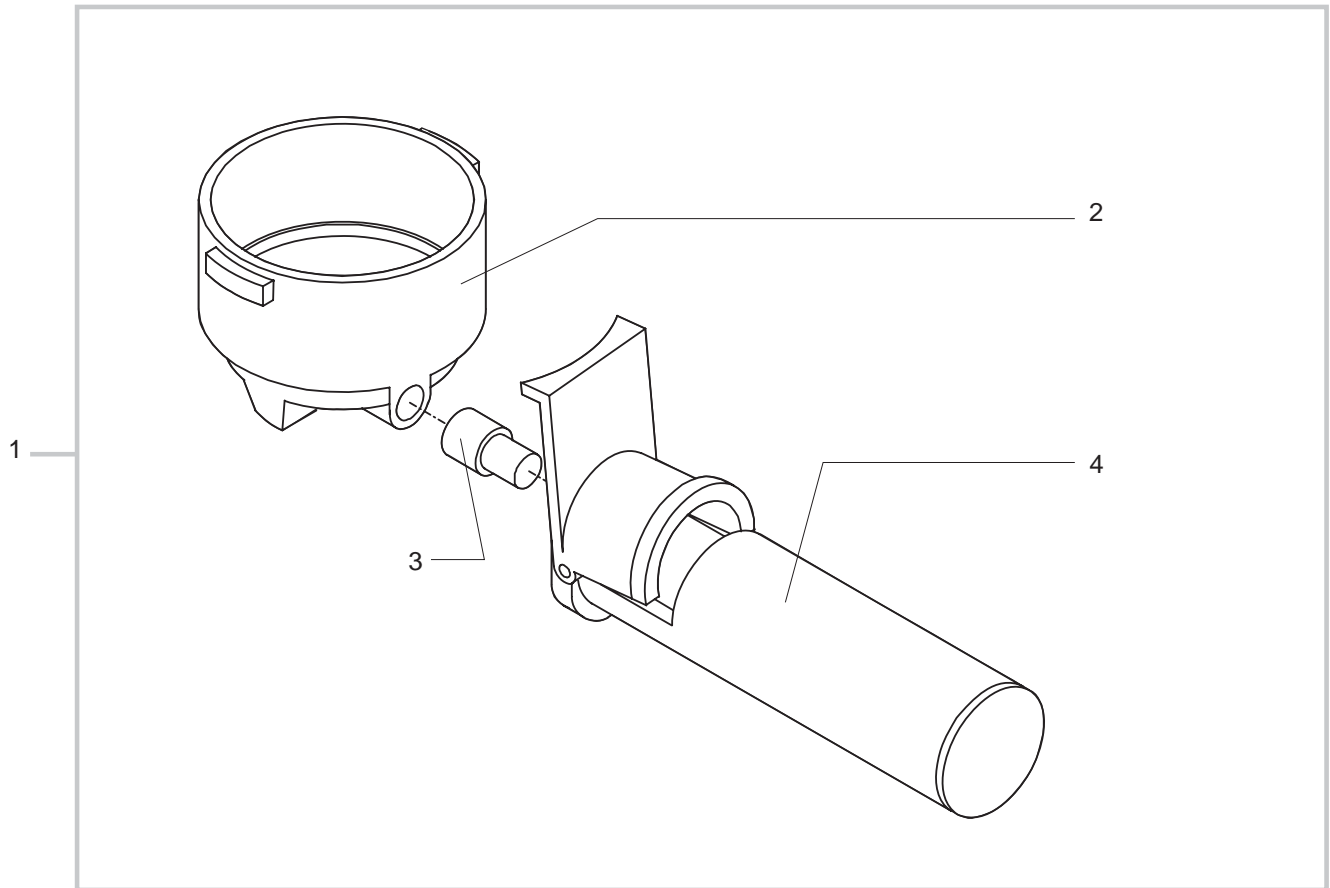
SIN 013 - COM 004 (INOX BOILER)

TAVOLA 1/1


Saeco® PORTAFILTRO COMPLETO JUNIOR

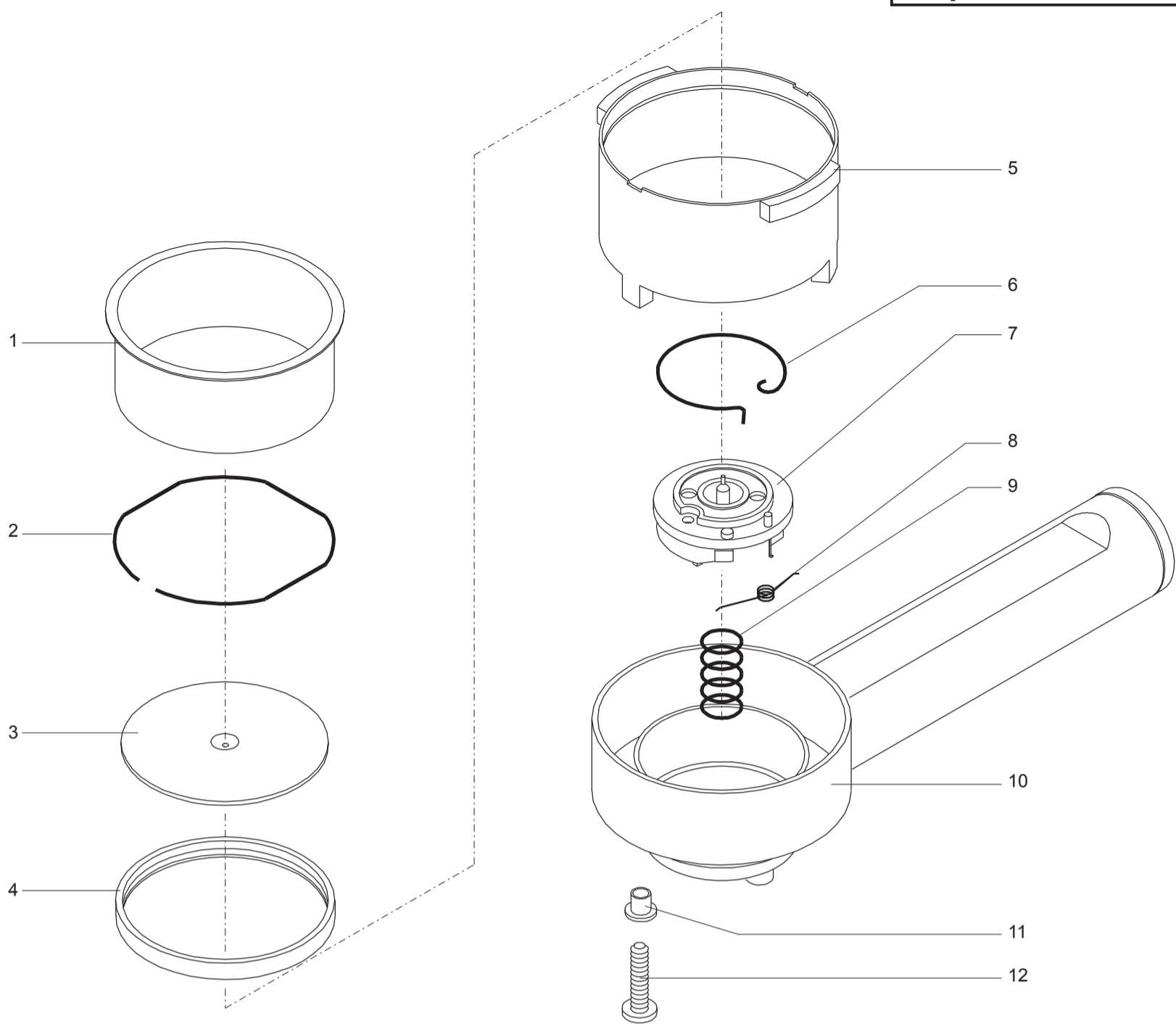
CE Cod. 226551550-63

POS	CODICE	DESCRIZIONE	NOTE	POS	CODE	DESCRIPTION	NOTE
01	226551550	PORTAFIL.JUNIOR ALET.LARG.COMPL.NER		01	226551550	FI.H. JUNIOR WIDE TONGUE COMPL.BLA	
	226551563	PORTAFIL.JUNIOR ALET.LARG.COMPL.GRI			226551563	FI.H. JUN. WIDE TONGUE COMPL.GREY	
02	228771508	SOTTOCOP.OT.CROMAT.JUNIOR ALET.LARG		02	228771508	CHR. BR. FILTERH. JUN. WIDE TONGUE	
03	144510850	FERMAFIL.NERO X MANIC.PORTAF.JUNIOR		03	144510850	FILT.RETAIN.BLA.FILTH..HAND. JUNIO	
	144510863	FERMAFIL.GRIG.X MANIC.PORTAF.JUNIOR			144510863	FILT.RETAIN.GREY FILTH.HAND. JUNIO	
04	146552450	MANICO NERO X PORTF.JUNIOR S/SOTCOP		04	146552450	FILTERHOLD.HAND. BLACK W/O FILTERH	
	146552463	MANICO GRIG.X PORTF.JUNIOR S/SOTCOP			146552463	FILTERHOLD.HAND. GREY W/O FILTERH.	


Saeco® PORTAFILTRO OTTONE COMPLETO


Cod. 2265502

POS	CODICE	DESCRIZIONE	NOTE	POS	CODE	DESCRIPTION	NOTE
01	226550250	PORTAFILTRO OTTONE COMPLETO NERO		01	226550250	BRASS FILTERH. COMPL. BLACK	
	226550257	PORTAFIL.OTTONE COMPLETO GRIGIO W/G			226550257	BRASS FILTERH. COMPL. GREY W/G	
	226550260	PORTAFILTRO OTTONE COMPLETO GRIGIO			226550260	BRASS FILTERH. COMPL. GREY W/G	
	226550263	PORTAFILT.OTTONE COMPLETO GRIG/7011			226550263	BRASS FILTERH. COMPL. GREY/7011	
02	228770100	SOTTOCOPPA OTTONE CROMATO TYP 2002		02	228770100	FILTERH. CHROMED BRASS TYPE 2002	
03	225110508	GHIERA CROMATA X SOTTOCOPPA		03	225110508	CHROME RING NUT FOR FILTERH.	
04	146550250	MANICO NERO 2002/H=42 SENZA/SOTTCOP		04	146550250	HAND.BLACK 2002 /H=42 W/O FILTERH.	
	146550257	MANICO GRI/W.G.2002/H=42 SEN/SOTCOP			146550257	HAND.GREY/W.G. 2002 /H=42 W/O FILT	
	146550260	MANICO GRI/018 2002/H=42 SEN/SOTCOP			146550260	HAND.GREY/018 2002 /H=42 W/O FILTE	
	146550263	MANICO GRI/7011 2002/H=42 SEN/SOTCO			146550263	HAND.GREY/7011 2002/ H=42 W/O FILT	



Saeco® PORTAFILTRO PRESSURIZZATO MECCANICO (E)

Cod. 226551250-263-650
Cod. 226551663-850-863

POS	CODICE	DESCRIZIONE	NOTE	POS	CODE	DESCRIPTION	NOTE
01	124650221	FILTRO 2TAZ.54,5X25 S/TAC.FORI D=48		01	124650221	2CUP FILT.54,5X25 W/O.NOT.HOLE D=48	
02	126835918	MOLLA FERMAFILTR. SOTTOCOPP.PIANETA		02	126835918	FILTER LOCK. SPRING FILTERH. PIANE	
	126836818	MOLLA FERMAFILTR.SOTTOCOPP.STARBUCKS			126836818	FILTERH. SPRING STARBUCKS	
		X C.A. PRODOTTE DAL 01/05/1999				FOR C.A. PRODUCED FROM 01/05/1999	
03	142862959	CONVOGLIAT.FORO 1,6 PORTAFILTRO PRES/MEC		03	142862959	CONVEYOR HOLE 1,6 PRESS.FILTERHOLD.	
04	145847762	GUARNIZ.X CONVOGL. PORTAFIL.PRES/MEC		04	145847762	PRESS. FILTERHOLD CONVEYOR SEAL	
05	228771128	SOTCOP.PRES/MECC.ALET.STRET.AL.BRIL		05	228771128	PR.FILTERH. NARROW TONG. POL. ALU	
	17000097	SOTCOP.PRES/MECC.V2 AL.BRIL.			17000097	ALUM/POL.V2 PRES/MECC.FILTERHOLDER	
	11023167	SOTTOCOP.PRES/MEC.STARB.OT/CROM.NSF			11023167	NSF/CHROM.PRESS.FILTERHOLD.STARB.	
06	126835818	MOLLA X MANICO PORTAFIL.PRESSUR/MEC		06	126835818	SPRING FILTERHOLD. HAND. PRESS.	
07	229181800	AS.SUPPORTO SPILLO PORTAF.PRESS/MEC		07	229181800	PRESS. FILTERH. PIN SUPPORT	
08	126768418	MOLLA X CAMMA PORTAFILT.PRESSUR/MEC		08	126768418	CAM SPRING FILT.HOLD PRESS.	
09	126769918	MOLLA X SPIL.PORTAFIL.PRES/MEC.L=13		09	126769918	SPRING FILTH .NE.VAL.MEC.TAKEOFFL=	
10	146552650	MANICO NER.OP/LUC.PRES/MEC.SEN/SOTC		10	146552650	HAND.BLA. OP/GLO PRESS. W/O FILTER	
	146552663	MANICO GRI.OP/LUC.PRES/MEC.SEN/SOTC			146552663	HAND.GREY OP/GLO.PRESS. W/O FILTER	
11	11022223	DISTANZ.PORTAFILTR.PRES/MEC.OT/TEA		11	11022223	TEA/BRASS SPACER FOR PRESS.FILTERHOLDER	
12	129730721	VITE TCB PZ/SW 4X12 UNI 8112 INOX		12	129730721	TCB SCREW PZ/SW 4X12 UNI 8112 SS	
	226551250	PORTAFILT.PRESS.MECC.ALET.STRET.NER			226551250	PRESS. FILTERH.NARROW TONGUE BLA.	
	226551263	PORTAFILT.PRESS.MECC.ALET.STRET.GRI			226551263	PRESS. FILTERH.NARROW TONGUE GREY	
	226551650	PORTAFILT.PRESS.MECC.AL.NERO OP/LUC			226551650	PRESS. FILTERH. ALU BLACK OP/POLIS	
	226551663	PORTAFILT.PRESS.MECC.AL.GRIG.OP/LUC			226551663	PRESS. FILTERH. ALU.GREY OP/POLISH	
	226551850	PORTAFILT.PRESS.MECC.OT.NERO OP/LUC			226551850	PRESS. FILTERH. BRASS BLACK OP/POL	
	226551863	PORTAFILT.PRESS.MECC.OT.GRIG.OP/LUC			226551863	PRESS. FILTERH. BRASS GREY OP/POLI	