

Saeco SIN013C

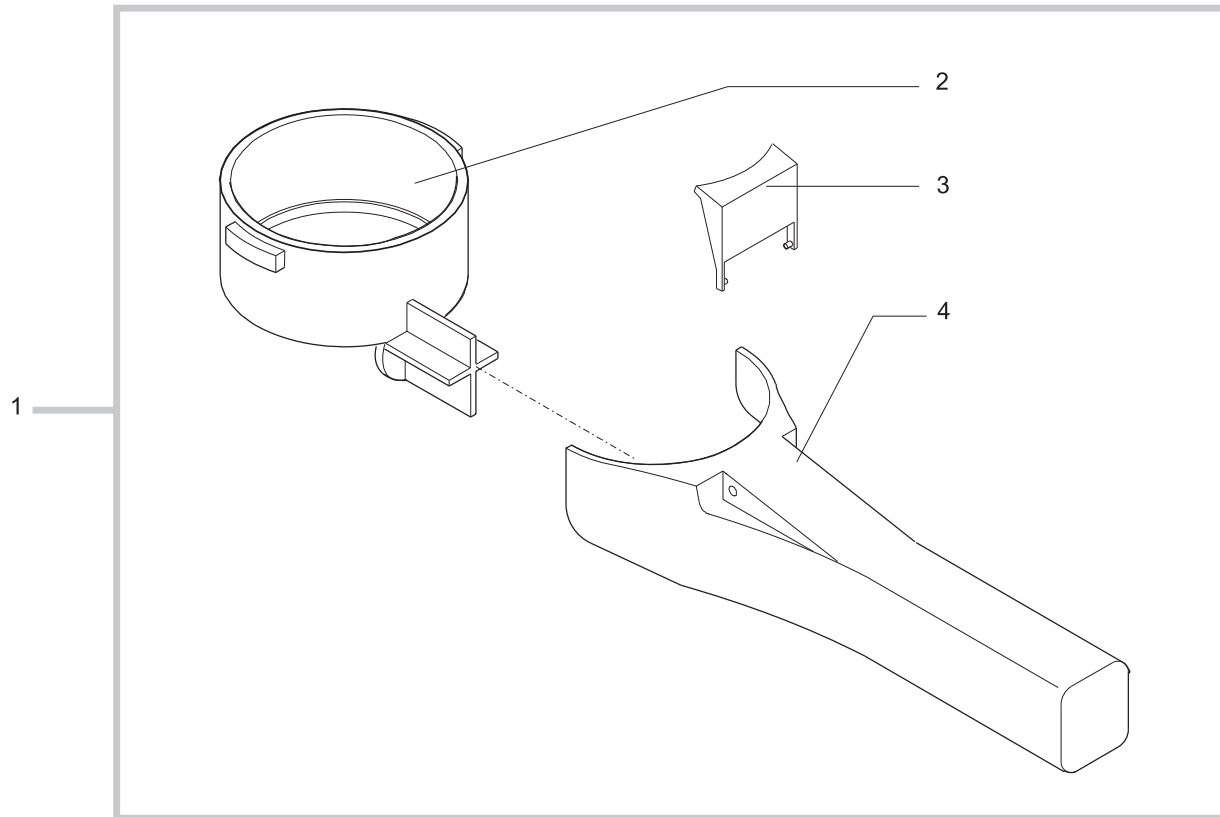
CE Cod. 7114

POS	CODE	DESCRIPTION	NOTE
01	289200900	THERMAL. PROTECT.120°C CABLE.125/2	
02	12000140	ULKA PUMP EP5/S GW 230V-50HZ	
03	149189050	ULKA PUMP EAP5/S 120V-60HZ	
04	140321961	PUMP SUPPEX5 +RETAIN.+ANTIDIS.4008012	
05	11001480	OR 2031 IN TERMOIL.	
06	11008877	TEA/B. CONN.90°1/8" GAS CYL. 15.8X17MM ULKA	
07	123460120	TEA/BRASS INNER TUBE BUSH (DE4XD3X10)	
08	121800420	BRASS NUT 1/8" GAS FOR TEFLON TUBE D=6	
09	20000275	OGIVE BUSH 6 (DE=8,4 DI =6,2 L=7	
10	11003294	KIT POLYST.INSERT FOR BOX JUNIOR SINGLE	
11	175892500	STEEL SEALING BUSH FOR EP5/S PUMP	
12	15002925	CARDBOARD INSERT ACCESSORIES ESPR.PLUS	
13	178500400	NEUTRAL MANUAL V2 SIN013C	
	178553300	DISPLAY BOX SAECO TREVI EXPRES	
	178554200	DISPLAY BOX SPIDEM TREVI EXPRES	
	178554100	DISPLAY BOX FLAMA JUNIOR	
	178604100	EXT.BOX 1CA JUNIOR ESPRES	
	178514000	DISPLAY BOX SAECO VIA VENETO ESPRESSO	
	178555400	DISPLAY BOX SPIDEM SERENA COMBI	
	178514700	FLESSOGRAFAT.BOX MONDIAL CASA BY SAECO	
14	129519403	SCREW TCB4.8X15,9 DIN 7981 NICK	
15	128140602	WASHER 6,5X12,5 UNI 6592 GALVANIZ.	
16	149188950	PUMP SUPPORT EX5 + RETAIN.4005012	
17	186800400	3 WAY JUNCTION BLOCK PA 27/3	
	186802400	3 W. JUNCT.BLOCK+SYMBOLS M-950-02/	
18	146680159	GREY/7016 COFFEE MEASURE	
19	142573936	WHITE CASING JUN.N/SILK/SCREEN	
	222360753	METAL/BLACK CASING JUN.N/SILK/SCREEN	
	222386453	METAL/BLACK CASING JUN.S/SCREEN SAECO	
	222386441	SILVER CASING JUN.S/SCREEN SAECO	
	222392341	SILVER CASING JUN.S/SCREEN MONDIAL CASA	
20	183502100	POWER CABLE SCHUKO WHITE L=1600MM	
	183502000	POWER CABLE SCHUKO BLACK L=1600MM	
	183920130	POWER CABLE USA/UL WHITE. L=1600MM	
	183920150	P.CABLE USA/UL BLACK L=1600MM	
	183504000	P.CABLE AUSTRALIA BLACK L=1600MM	
	183506000	POWER CABLE JAPPON BLACK L=1600MM	
21	129517002	SCREW TCB TORX 3,5X50,8 DIN 7981 GA	
22	12000450	SCREW TCB TORX 10 3,5X12 PLAST.ZN-N	
23	224650121	1 CUP FILTER DE.60X21 + VERT. NOTC	
24	147920300	TEE CONNECTOR D=8 ART.80.26.047 KA.461	
25	149360200	SILICONE TUBE 5X8 70SR IN ROLL	
26	147920550	BLACK 90° CONNECTOR IN NBR	
27	147920150	90° INLET CONNECTOR PUMP	
28	224650221	2 CUP FILTER DE.60X25 + VERT. NOTC	
29	12000897	SCREW TCB TORX 10 3,5X20 PLAST.SS	
30	186601000	CABLE RETAINER BLACK	
31	12000895	SCREW TSP TORX 10 3X10 PLAST.SS	
32	0701.031.150	SEAL COVER GREY	
33	145842900	WATER CONTAIN.VALVE SEAL GACO DIM14	
34	0701.014.150	SEAL CONTAINER GREY	

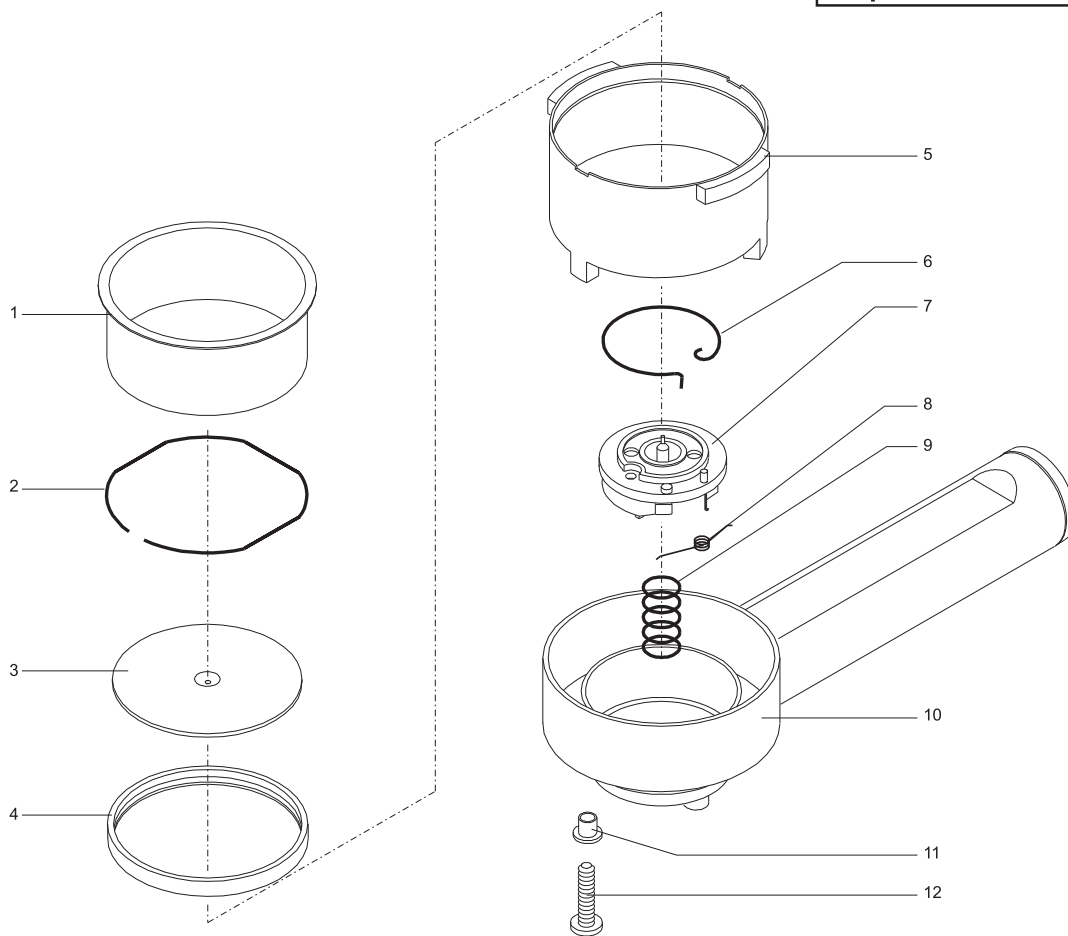
POS	CODE	DESCRIPTION	NOTE
35	129519003	SCREW TCB4.8X9,5 DIN 7981 NICK	
36	187640100	GROMMET AB/9 BLACK 50SHORE 1017512	
37	144702736	WHITE CASING BOTTOM JUN.	
	224700353	METAL/BLACK CASING BOTTOM JUN.	
	224700341	SILVER CASING BOTTOM JUN.	
38	147621050	FOOT BLACK H=12,5 GRCREMA 3008012	
39	U109.013	SCREW TCB 3,5X13 UNI 6954 NIK	
40	142810536	WHITE WATER CONTAINER LID JUN.3	
	222763341	SILVER WATER CONTAINER LID JUN.3	
	222763353	METAL/BLACK WATER CONTAINER LID JUN.3	
41	222832536	WHITE COVER JUN.TYPE3 S/SCR.TREVI	
	222834653	M/BLACK COVER JUN.TYPE3 S/SCR.TREVI PL	
	222833636	WHITE COVER JUN.TYPE3 S/SCREEN FLAMA	
	222833936	WHITE COVER JUN.TYPE3 S/SCREEN MONDIAL	
	222838436	WHITE COVER JUN.TYPE3 S/SCR.SAE.TREVI PL	
	222838453	MET/BLACK COVER JUN.3 S/SC.SAE.TREVI PL	
	222838953	MET/BLACK COVER JUN.TYPE3 S/SCR.V/EN.DL	
	222838941	SILVER COVER JUN.TYPE3 S/SCR.V/ENETO DL	
	222836536	WHITE COVER JUN.TYPE3 S/SCR.WEGA HOME	
	222813241	SILVER COVER JUN.TYPE3 S/SCR.SYMBOLS	
42	140324362	OR METRIC 0060-30 IN SILICONE	
43		PARTICULAR NOT AVAILABLE	
44	222690781	TRANSP/GREY WATER CONTAINER JUNIOR ASSY.	
45	11006365	BLACK SWITCH SUPPORT FOR JUNIOR 3	
46	126764718	SPRING FOR WATER CONTAINER VALVE	
47	147660562	GREY WATER VALVE CONTAINER PISTON	
48	145741563	GREY GRATE FOR JUN.TYPE3	
	145741250	BLACK GRATE FOR JUN.TYPE1	
49	185070885	SQUARE GREEN LENS FOR JUNIOR TYPE	
50	149643363	GREY DRIP TRAY JUN.SING.	
	149643350	BLACK DRIP TRAY JUN.SING.	
51	147714163	GREY KNOB FOR FAUCET SHAFT JUN.	
	147714150	BLACK KNOB FOR FAUCET SHAFT JUN.	
52	120460204	RAPID CONNECTOR D=10,6 H=5 SP=1	
53	12000901	BLACK SWITCH 230V	
	186074600	UNIP. SWITCH BROWN 120V TL389A4	
54	147894036	WHITE BUTTON SIDE SWITCH JUNIOR 3	
	147894050	BLACK BUTTON SIDE SWITCH JUNIOR 3	
55	147894336	WHITE BUTTON CENTRAL SWITCH JUNIOR 3	
	147894350	BLACK BUTTON CENTRAL SWITCH JUNIOR 3	
56	226551550	FI.H. JUNIOR WIDE TONGUE COMPL.BLA	
	226551563	FI.H. JUN. WIDE TONGUE COMPL.GREY	
	226551650	SEE COD. EXPL. E90001 LAST PAGES	
		KIT SAE PORTAFILTER CREMA BLK	
		SEE COD. EXPL. E90005 LAST PAGES	
	226551663	PRESS.FILTERH.ALUM.GREY	
		SEE COD. EXPL. E90005 LAST PAGES	
	226551763	GLOSSY/GREY PR.FILTERH.M.STAR COMPLETE	
		NOT AVAILABLE	

Saeco

VIA VENETO DLX - TREVI - MONDIAL


Saeco® PORTAFILTRO COMPLETO JUNIOR
CE Cod. 226551550-63

POS	CODICE	DESCRIZIONE	NOTE	POS	CODE	DESCRIPTION	NOTE
01	226551550	PORTAFIL.JUNIOR ALET.LARG.COMPL.NER		01	226551550	FI.H. JUNIOR WIDE TONGUE COMPL BLA	
	226551563	PORTAFIL.JUNIOR ALET.LARG.COMPL.GRI			226551563	FI.H. JUN. WIDE TONGUE COMPL.GREY	
02	228771508	SOTTOCOP.OT.CROMAT.JUNIOR ALET.LARG		02	228771508	CHR. BR. FILTERH. JUN. WIDE TONGUE	
03	144510850	FERMAFIL.NERO X MANIC.PORTAF.JUNIOR		03	144510850	FILT.RETAIN.BLA.FILTH.HAND. JUNIO	
	144510863	FERMAFIL.GRIG.X MANIC.PORTAF.JUNIOR			144510863	FILT.RETAIN.GREY FILTH.HAND. JUNIO	
04	146552450	MANICO NERO X PORTF.JUNIOR S/SOTCOP		04	146552450	FILTERHOLD.HAND. BLACK W/O FILTERH	
	146552463	MANICO GRIG.X PORTF.JUNIOR S/SOTCOP			146552463	FILTERHOLD.HAND. GREY W/O FILTERH.	



Saeco PORTAFILTRO PRESSURIZZATO MECCANICO 

Cod. 226551250-263-650
Cod. 226551663-850-863

POS	CODICE	DESCRIZIONE	NOTE	POS	CODE	DESCRIPTION	NOTE
01	124650221	FILTRO 2TAZ.54,5X25 S/TAC.FORI D=48		01	124650221	2CUP FILT.54,5X25 W/O.NOT.HOLE D=48	
02	126835918	MOLLA FERMAFILTRO SOTTOCOPP.PIANETA		02	126835918	FILTER LOCK. SPRING FILTERH. PIANE	
	126836818	MOLLA FERMAFILTR.SOTTOCOP.STARBUCKS			126836818	FILTERH. SPRING STARBUCKS	
		X C.A. PRODOTTE DAL 01/05/1999				FOR C.A. PRODUCED FROM 01/05/1999	
03	142862959	CONVOGLIAT.FORO 1,6 PORTAFILTRO PRES/MEC		03	142862959	CONVEYOR HOLE 1,6 PRESS.FILTERHOLD.	
04	145847762	GUARNIZ.X CONVOGL.PORFIL.PRES/MEC		04	145847762	PRESS. FILTERHOLD CONVEYOR SEAL	
05	228771128	SOTCOP.PRES/MECC.ALET.STRET.AL.BRIL		05	228771128	PR.FILTERH. NARROW TONG. POL. ALU	
	17000097	SOTCOP.PRES/MECC.V2 AL.BRIL.			17000097	ALUM/POL.V2 PRES/MECC.FILTERHOLDER	
	11023167	SOTTOCOP.PRES/MEC.STARB.OT/CROM.NSF			11023167	NSF/CHROM.PRESS.FILTERHOLD.STARB.	
06	126835818	MOLLA X MANICO PORTAFIL.PRESSUR/MEC		06	126835818	SPRING FILTERHOLD. HAND. PRESS.	
07	229181800	AS.SUPPORTO SPILLO PORTAF.PRESS/MEC		07	229181800	PRESS. FILTERH. PIN SUPPORT	
08	126768418	MOLLA X CAMMA PORTAFILT.PRESSUR/MEC		08	126768418	CAM SPRING FILT.HOLD PRESS.	
09	126769918	MOLLA X SPIL.PORFIL.PRES/MEC.L=13		09	126769918	SPRING FILTH .NE.VAL.MEC.TAKEOFFL=	
10	146552650	MANICO NER.OP/LUC.PRES/MEC.SEN/SOTC		10	146552650	HAND.BLA. OP/GLO PRESS. W/O FILTER	
	146552663	MANICO GRI.OP/LUC.PRES/MEC.SEN/SOTC			146552663	HAND.GREY OP/GLO.PRESS. W/O FILTER	
11	11022223	DISTANZ.PORTAFILTR.PRES/MEC.OT/TEA		11	11022223	TEA/BRASS SPACER FOR PRESS.FILTERHOLDER	
12	129730721	VITE TCB PZ/SW 4X12 UNI 8112 INOX		12	129730721	TCB SCREW PZ/SW 4X12 UNI 8112 SS	
	226551250	PORTAFILT.PRESS.MECC.ALET.STRET.NER			226551250	PRESS. FILTERH.NARROW TONGUE BLA.	
	226551263	PORTAFILT.PRESS.MECC.ALET.STRET.GRI			226551263	PRESS. FILTERH.NARROW TONGUE GREY	
	226551650	PORTAFILT.PRESS.MECC.AL.NERO OP/LUC			226551650	PRESS. FILTERH. ALU BLACK OP/POLIS	
	226551663	PORTAFILT.PRESS.MECC.AL.GRIG.OP/LUC			226551663	PRESS. FILTERH. ALU.GREY OP/POLISH	
	226551850	PORTAFILT.PRESS.MECC.OT.NERO OP/LUC			226551850	PRESS. FILTERH. BRASS BLACK OP/POL	
	226551863	PORTAFILT.PRESS.MECC.OT.GRIG.OP/LUC			226551863	PRESS. FILTERH. BRASS GREY OP/POLI	