

Saeco® SIN013C

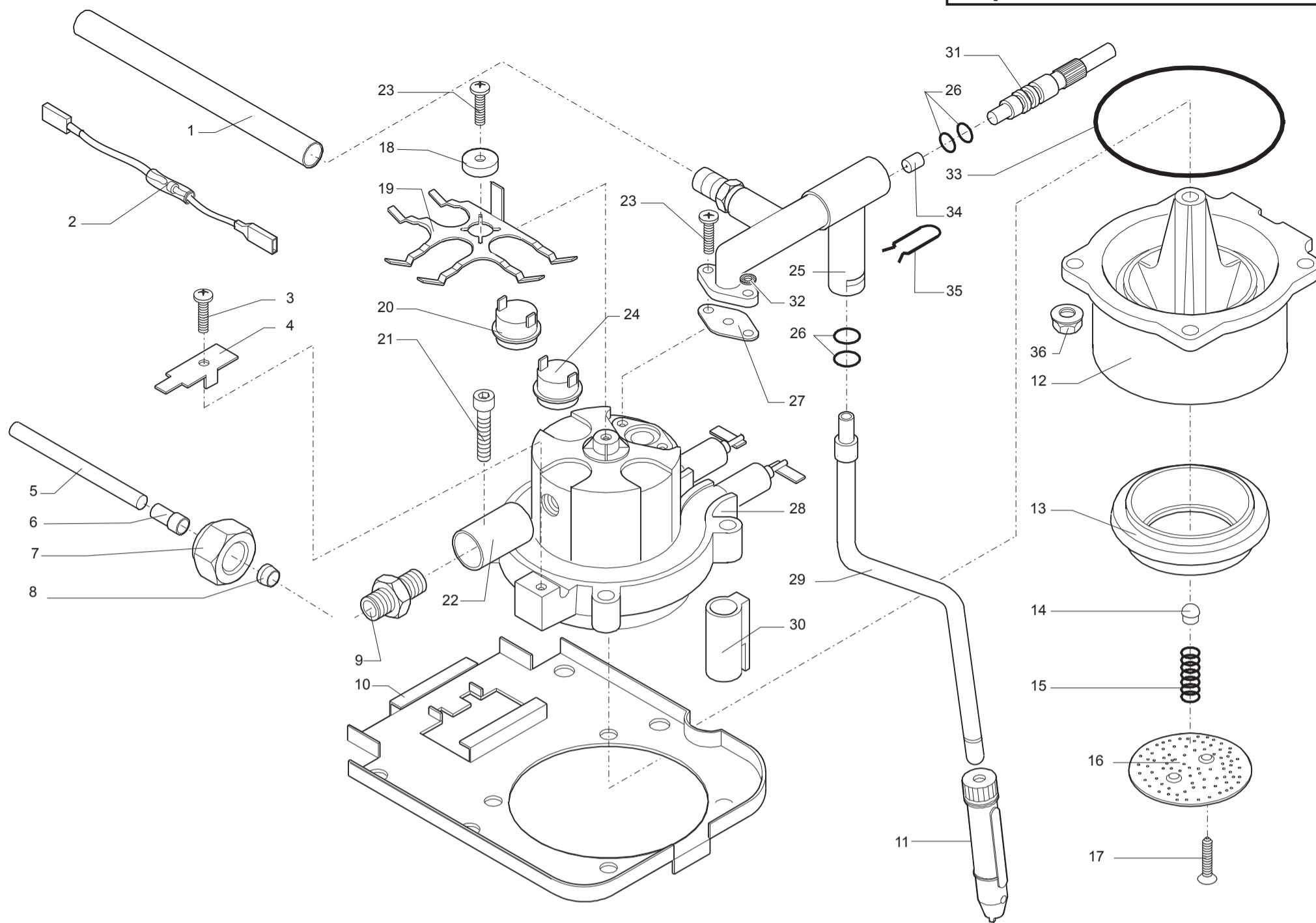
CE Cod. 7114

POS	CODE	DESCRIPTION	NOTE	POS	CODE	DESCRIPTION	NOTE
01	289200900	THERMAL. PROTECT.120°C CABLE.125/2		35	129519003	SCREW TCB4,8X9,5 DIN 7981 NICK	
02	12000140	ULKA PUMP EP5/S GW 230V-50HZ		36	187640100	GROMMET AB/9 BLACK 50SHORE 1017512	
	12000142	ULKA PUMP EAP5/S 120V-60HZ		37	144702736	WHITE CASING BOTTOM JUN.	
03	149189050	PUMP SUPP.EX5 +RETAIN.+ANTIDIS.4008012			224700353	METAL/BLACK CASING BOTTOM JUN.	
04	140321961	OR 2031 IN TERMOIL			224700341	SILVER CASING BOTTOM JUN.	
05	11001480	TEA/B.CONN.90°1/8" GAS CYL. 15,8X17MM ULKA		38	147621050	FOOT BLACK H=12,5 GRCREMA 3008012	
06	11008877	TEA/BRASS INNER TUBE BUSH (DE4XD13X10)		39	U109.013	SCREW TCB 3,5X13 UNI 6954 NIK	
07	123460120	BRASS NUT 1/8" GAS FOR TEFLON TUBE D=6		40	142810536	WHITE WATER CONTAINER LID JUN.3	
08	121800420	OGIVE BUSH 6 (DE=8,4 DI =6,2 L=7			222763341	SILVER WATER CONTAINER LID JUN.3	
09	20000275	KIT POLYST.INSERT FOR BOX JUNIOR SINGLE			222763353	METAL/BLACK WATER CONTAINER LID JUN.3	
10	11003294	STEEL SEALING BUSH FOR EP5/S PUMP		41	222832536	WHITE COVER JUN.TYPE3 S/SCR.TREVI	
11	175892500	CARDBOARD INSERT ACCESSORIES ESPR.PLUS			222834653	M/BLACK COVER JUN.TYPE3 S/S.SPI.TREVI PL	
12	15002925	NEUTRAL MANUAL V2 SIN013C			222833636	WHITE COVER JUN.TYPE3 S/SCREEN FLAMA	
13	178500400	DISPLAY BOX SAECO TREVI EXPRES			222833936	WHITE COVER JUN.TYPE3 S/SCREEN MONDIAL	
	178553300	DISPLAY BOX SPIDEM TREVI EXPRES			222838436	WHITE COVER JUN.TYPE3 S/SCR.SAE.TREVI PL	
	178554200	DISPLAY BOX FLAMA JUNIOR			222838453	MET/BLACK. COVER JUN.3 S/SCR.SAE.TREVI PL	
	178604100	EXT.BOX 1CA JUNIOR ESPRES			222838953	MET/BLACK COVER JUN.TYPE3 S/SCR.V.VEN.DL	
	178514000	DISPLAY BOX SAECO VIA VENETO ESPRESSO			222838941	SILVER COVER JUN.TYPE3 S/SCR.V.VENETO DL	
	178555400	DISPLAY BOX SPIDEM SERENA COMBI			222836536	WHITE COVER JUN.TYPE3 S/SCR.WEGA HOME	
	178514700	FLESSOGRAPHAT.BOX MONDIAL CASA BY SAECO			222813241	SILVER COVER JUN.TYPE3 S/SCR.SYMBOLS	
14	129519403	SCREW TCB4,8X15,9 DIN 7981 NICK		42	140324362	OR METRIC 0060-30 IN SILICONE	
15	128140602	WASHER 6,5X12,5 UNI 6592 GALVANIZ.		43		PARTICULAR NOT AVAILABLE	
16	149188950	PUMP SUPPORT EX5 + RETAIN.4005012		44	222690781	TRANSP/GREY WATER CONTAINER JUNIOR ASSY.	
17	186800400	3 WAY JUNCTION BLOCK PA 27/3		45	11006365	BLACK SWITCH SUPPORT FOR JUNIOR 3	
	186802400	3 W. JUNCT.BLOCK+SYMBOLS M-950-02/		46	126764718	SPRING FOR WATER CONTAINER VALVE	
18	146680159	GREY/7016 COFFEE MEASURE		47	147660562	GREY WATER VALVE CONTAINER PISTON	
19	142573936	WHITE CASING JUN.N/SILK/SCREEN		48	145741563	GREY GRATE FOR JUN.TYPE3	
	222360753	METAL/BLACK CASING JUN.N/SILK/SCREEN			145741250	BLACK GRATE FOR JUN.TYPE1	
	222386453	METAL/BLACK CASING JUN.S/SCREEN SAECO		49	185070885	SQUARE GREEN LENS FOR JUNIOR TYPE	
	222386441	SILVER CASING JUN.S/SCREEN SAECO		50	149643363	GREY DRIP TRAY JUN.SING.	
	222392341	SILVER CASING JUN.S/SCREEN MONDIAL CASA			149643350	BLACK DRIP TRAY JUN.SING.	
20	183502100	POWER CABLE SCHUKO WHITE L=1600MM		51	147714163	GREY KNOB FOR FAUCET SHAFT JUN.	
	183502000	POWER CABLE SCHUKO BLACK L=1600MM			147714150	BLACK KNOB FOR FAUCET SHAFT JUN.	
	183920130	POWER CABLE USA/UL WHITE .L=1600MM		52	120460204	RAPID CONNECTOR D=10,6 H=5 SP=1	
	183920150	P.CABLE USA/UL BLACK L=1600MM		53	12000901	BLACK SWITCH 230V	
	183504000	P.CABLE AUSTRALIA BLACK L=1600MM			186074600	UNIP. SWITCH BROWN 120V TL389A4	
	183506000	POWER CABLE JAPPON BLACK L=1600MM		54	147894036	WHITE BUTTON SIDE SWITCH JUNIOR 3	
21	129517002	SCREW TCB TORX 3,5X50,8 DIN 7981 GA			147894050	BLACK BUTTON SIDE SWITCH JUNIOR 3	
22	12000450	SCREW TCB TORX 10 3,5X12 PLAST.ZN-N		55	147894336	WHITE BUTTON CENTRAL SWITCH JUNIOR 3	
23	224650121	1 CUP FILTER DE.60X21 + VERT. NOTC			147894350	BLACK BUTTON CENTRAL SWITCH JUNIOR 3	
24	147920300	TEE CONNECTOR D=8 ART.80.26.047 KA.461		56	226551550	FI.H. JUNIOR WIDE TONGUE COMPL BLA	
25	149360200	SILICONE TUBE 5X8 70SR IN ROLL			226551563	FI.H. JUN. WIDE TONGUE COMPL.GREY	
26	147920550	BLACK 90° CONNECTOR IN NBR			226551650	KIT SAE PORTAFILTER CREMA BLK	
27	147920150	90° INLET CONNECTOR PUMP			226551663	PRESS.FILTERH.ALUM.GREY	
28	224650221	2 CUP FILTER DE.60X25 + VERT. NOTC			226551763	GLOSSY/GREY PR.FILTERH.M.STAR COMPLETE	
29	12000897	SCREW TCB TORX 10 3,5X20 PLAST.SS				NOT AVAILABLE	
30	188601000	CABLE RETAINER BLACK					
31	12000895	SCREW TSP TORX 10 3X10 PLAST.SS					
32	0701.031.150	SEAL COVER GREY					
33	145842900	WATER CONTAIN.VALVE SEAL GACO DIM14					
34	0701.014.150	SEAL CONTAINER GREY					

Saeco®

VIA VENETO DLX - TREVÌ - MONDIAL

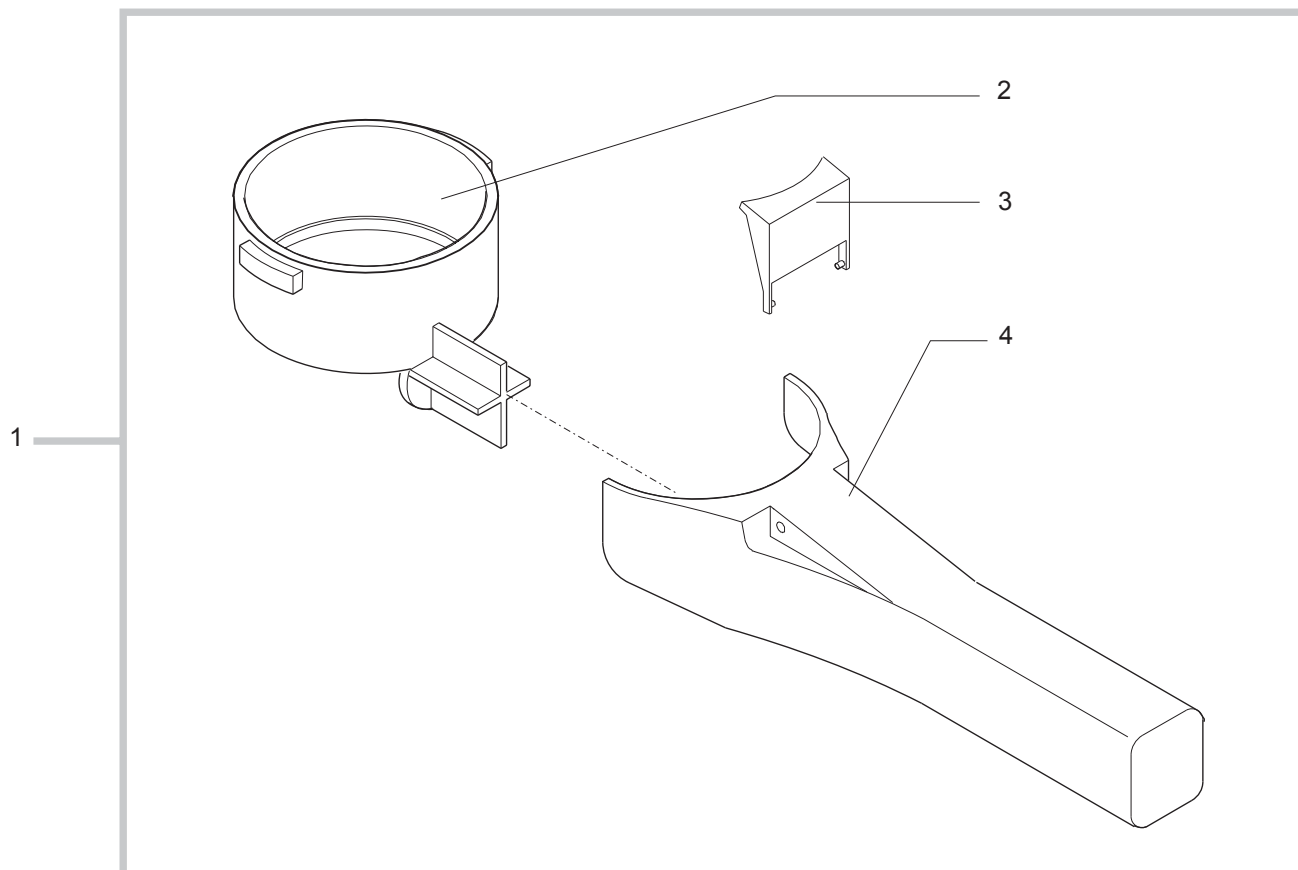
TABLE 1/2



Saeco® SIN013C

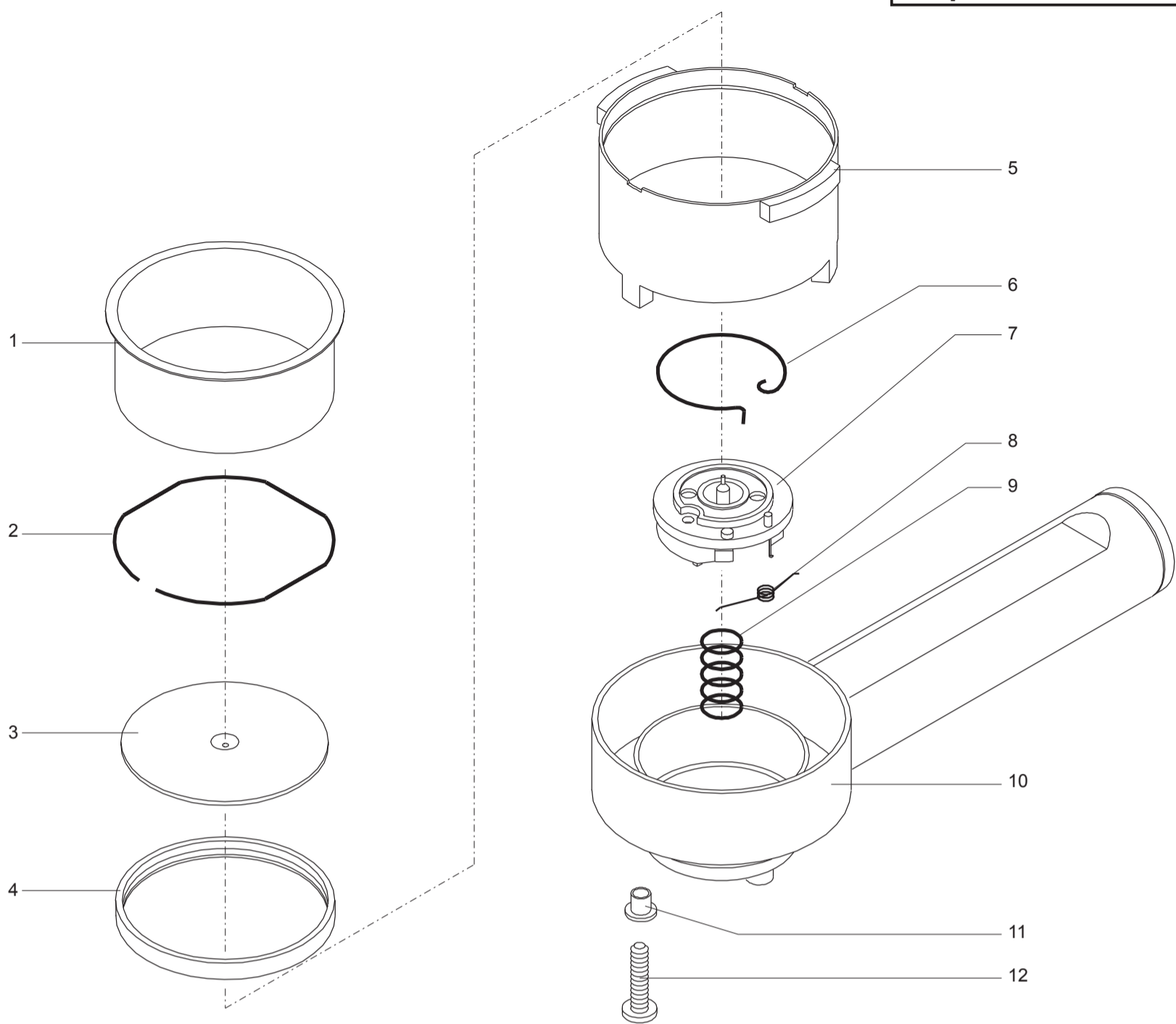
CE Cod. 7114

POS	CODE	DESCRIPTION	NOTE	POS	CODE	DESCRIPTION	NOTE
01	149360200	SILICONE TUBE 5X8 70SR 25 MT	IN ROLL				
02	183430962	CABLE 1WIRE SILIC.BROWN TH/FUSE 184°					
03	129573202	SCREW TCB TORX 20 M4X8 AUTOFORMING ZN-B					
04	126834202	2 T.FUSE FIX.SPRING TYPE 1TONG. W/EARTH					
05	149400100	TEFLON TUBE 4X6	IN ROLL				
06	11008877	TEA/BRASS INNER TUBE BUSH (DE4XD13X10)					
07	9991.007	NUT FOR CONNECTOR 1/8"					
08	121800420	OGIVE BUSH 6 (DE=8,4 DI =6,2 L=7					
09	11001481	TEA/BRASS STRAIGHT CONNECTOR 1/8"GAS					
10	127533202	STAINL. BOILER+PUMP SUPPORT PLATE JUNIOR					
11	147430150	PANNARELLO AS. BLACK PLASTIC					
12	222920300	GLOSSY AL.LOWER BOILER CASING JUN.ASSY.					
13	145845462	ALU.BOILER FILTERHOLDER SIL.SEAL JUNIOR					
14	149450588	65SH SILICONE BOILER SEALING VALVE					
15	126770818	SS SPRING FOR ALU.BOILER SEALING VALVE					
16	123741722	ALUM.PERCOL.FOR ALUM.BOILER JUNIOR					
17	129580721	SCREW TSP TORX 10 M3X8 AUTOFORMING SS					
18	128171020	BRASS WASHER DE =16 SPRING HOLD THERM.					
19	126834921	ALUM.BOILER THERM.FIXING SPRING JUNIOR					
20	189425100	THERMOSTAT 127° 1NT-01L-0499					
21	129899102	TCEI SCREW M6X30 UNI 5931 CL.8.8 Z					
22	149360900	SILICONE TUBE 10X1,9	IN ROLL				
23	129583102	SCREW TCB M4X12 AUTOFORMING ZN-B					
24	189422000	THERMOSTAT 95° 1NT-01L-0036					
25	228455300	FA.AS. D=12 W/S.VALVE AL. BOIL. JU					
26	140321861	OR 2025 IN EPDM					
27	145845362	SILIC.SEAL FOR ALUM.BOILER FAUCET JUNIOR					
28	282901658	ALUM.UPPER CASING BOILER JUN.230V ASSY.					
29	229380508	CHROMED STEAM TUBE 100° NOZLE SEB ASSY					
30	147754763	BLACK PROTECTION STEAM TUBE BOILER					
31	11001518	TEA/BRAS.FAUCET SHAFT L=65,5 TEFLON BUSH					
32	128310404	WASHER UNI 8842 A4 BURNISHED					
33	140325962	OR 3212 IN SILICONE					
34	141910764	V125 BUSH DE=7,15 DI=2,5 L=7					
35	126764018	SPRING D=1STEAM TUBE HOLDER JUNIOR					
36	123270102	NUT M6 FLANGED TOOTHED BASE GALV.					


Saeco® PORTAFILTRO COMPLETO JUNIOR

CE Cod. 226551550-63

POS	CODICE	DESCRIZIONE	NOTE	POS	CODE	DESCRIPTION	NOTE
01	226551550	PORTAFIL.JUNIOR ALET.LARG.COMPL.NER		01	226551550	FI.H. JUNIOR WIDE TONGUE COMPL.BLA	
	226551563	PORTAFIL.JUNIOR ALET.LARG.COMPL.GRI			226551563	FI.H. JUN. WIDE TONGUE COMPL.GREY	
02	228771508	SOTTOCOP.OT.CROMAT.JUNIOR ALET.LARG		02	228771508	CHR. BR. FILTERH. JUN. WIDE TONGUE	
03	144510850	FERMAFIL.NERO X MANIC.PORTAF.JUNIOR		03	144510850	FILT.RETAIN.BLA.FILTH..HAND. JUNIO	
	144510863	FERMAFIL.GRIG.X MANIC.PORTAF.JUNIOR			144510863	FILT.RETAIN.GREY FILTH.HAND. JUNIO	
04	146552450	MANICO NERO X PORTF.JUNIOR S/SOTCOP		04	146552450	FILTERHOLD.HAND. BLACK W/O FILTERH	
	146552463	MANICO GRIG.X PORTF.JUNIOR S/SOTCOP			146552463	FILTERHOLD.HAND. GREY W/O FILTERH.	



Saeco® PORTAFILTRO PRESSURIZZATO MECCANICO (E)

Cod. 226551250-263-650
Cod. 226551663-850-863

POS	CODICE	DESCRIZIONE	NOTE	POS	CODE	DESCRIPTION	NOTE
01	124650221	FILTRO 2TAZ.54,5X25 S/TAC.FORI D=48		01	124650221	2CUP FILT.54,5X25 W/O.NOT.HOLE D=48	
02	126835918	MOLLA FERMAFILTRO SOTTOCOPP.PIANETA		02	126835918	FILTER LOCK. SPRING FILTERH. PIANE	
	126836818	MOLLA FERMAFILTR.SOTTOCOPP.STARBUCKS			126836818	FILTERH. SPRING STARBUCKS	
		X C.A. PRODOTTE DAL 01/05/1999				FOR C.A. PRODUCED FROM 01/05/1999	
03	142862959	CONVOGLIAT.FORO 1,6 PORTAFILTRO PRES/MEC		03	142862959	CONVEYOR HOLE 1,6 PRESS.FILTERHOLD.	
04	145847762	GUARNIZ.X CONVOGL.PORTAFIL.PRES/MEC		04	145847762	PRESS. FILTERHOLD CONVEYOR SEAL	
05	228771128	SOTCOP.PRES/MECC.ALET.STRET.AL.BRIL		05	228771128	PR.FILTERH. NARROW TONG. POL. ALU	
	17000097	SOTCOP.PRES/MECC.V2 AL.BRIL.			17000097	ALUM/POL.V2 PRES/MECC.FILTERHOLDER	
	11023167	SOTTOCOP.PRES/MEC.STARB.OT/CROM.NSF			11023167	NSF/CHROM.PRESS.FILTERHOLD.STARB.	
06	126835818	MOLLA X MANICO PORTAFIL.PRESSUR/MEC		06	126835818	SPRING FILTERHOLD. HAND. PRESS.	
07	229181800	AS.SUPPORTO SPILLO PORTAF.PRESS/MEC		07	229181800	PRESS. FILTERH. PIN SUPPORT	
08	126768418	MOLLA X CAMMA PORTAFILT.PRESSUR/MEC		08	126768418	CAM SPRING FILT.HOLD PRESS.	
09	126769918	MOLLA X SPIL.PORTAFIL.PRES/MEC.L=13		09	126769918	SPRING FILTH .NE.VAL.MEC.TAKEOFFL=	
10	146552650	MANICO NER.OP/LUC.PRES/MEC.SEN/SOTC		10	146552650	HAND.BLA. OP/GLO PRESS. W/O FILTER	
	146552663	MANICO GRI.OP/LUC.PRES/MEC.SEN/SOTC			146552663	HAND.GREY OP/GLO.PRESS. W/O FILTER	
11	11022223	DISTANZ.PORTAFILTR.PRES/MEC.OT/TEA		11	11022223	TEA/BRASS SPACER FOR PRESS.FILTERHOLDER	
12	129730721	VITE TCB PZ/SW 4X12 UNI 8112 INOX		12	129730721	TCB SCREW PZ/SW 4X12 UNI 8112 SS	
	226551250	PORTAFILT.PRESS.MECC.ALET.STRET.NER			226551250	PRESS. FILTERH.NARROW TONGUE BLA.	
	226551263	PORTAFILT.PRESS.MECC.ALET.STRET.GRI			226551263	PRESS. FILTERH.NARROW TONGUE GREY	
	226551650	PORTAFILT.PRESS.MECC.AL.NERO OP/LUC			226551650	PRESS. FILTERH. ALU BLACK OP/POLIS	
	226551663	PORTAFILT.PRESS.MECC.AL.GRIG.OP/LUC			226551663	PRESS. FILTERH. ALU.GREY OP/POLISH	
	226551850	PORTAFILT.PRESS.MECC.OT.NERO OP/LUC			226551850	PRESS. FILTERH. BRASS BLACK OP/POL	
	226551863	PORTAFILT.PRESS.MECC.OT.GRIG.OP/LUC			226551863	PRESS. FILTERH. BRASS GREY OP/POLI	