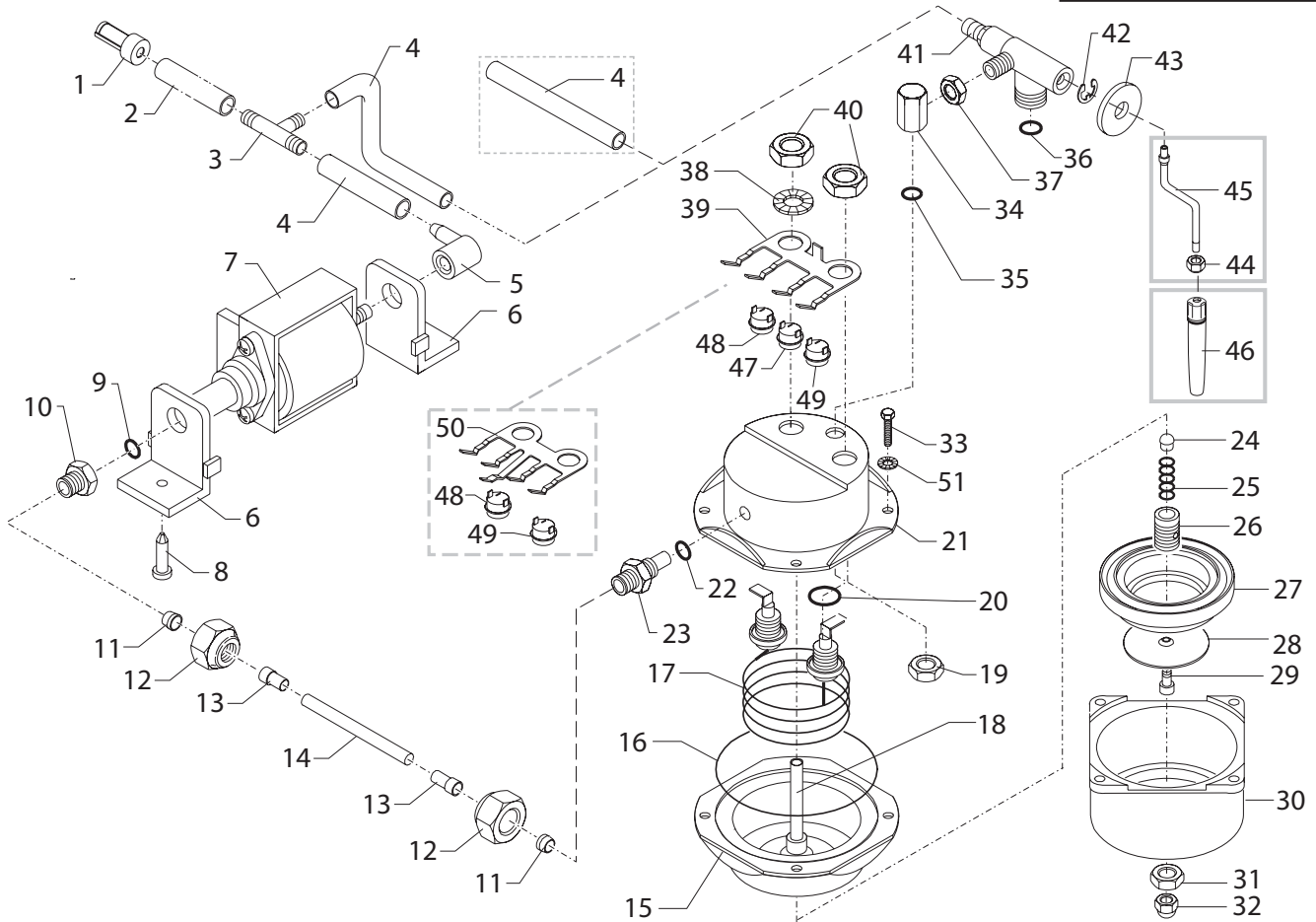


Saeco® SIN 015XN



Cod.10001842-43-93-94

| POS | CODE | DESCRIPTION | NOTE | POS | CODE | DESCRIPTION | NOTE |
|-----|------------|--|------|-----|------|-------------|------|
| 01 | 178690500 | EXT. BOX POLYST CA TYPE 2002 | | | | | |
| 02 | 13000534 | DISPAY BOX SAECO AROMA RST | | | | | |
| 03 | 15001167 | INSTR.MANUAL SAECO AROMA RST | | | | | |
| 04 | 142802050 | BLACK LID FOR WATER TANK TYPE 2002 | | | | | |
| 05 | 142690381 | FUME' WATER CONTAINER TYPE 2002 | | | | | |
| 06 | 11007514 | BLACK POWER CABLE SCHUKO L=1600MM | | | | | |
| | 11007515 | BLACK POW.CABL.USA SJT3X18AWG L=1600MM | | | | | |
| 07 | 12000805 | BLACK GROMMET 10205 | | | | | |
| 08 | 188600550 | CABLE CLAMP BLACK | | | | | |
| 09 | 129914002 | SCREW TCB TORX 10 3,5X16 PLAST.ZN-B | | | | | |
| 10 | 128210200 | ELASTIC WASHER FOR SHAFT D=2MM | | | | | |
| 11 | 147620600 | SQUARE SELF ADH.FOOT 5019 BLACK | | | | | |
| 12 | 5332004000 | ON-OFF LIGHT BIPOL.SWITCH 122C1M2X001 | 230V | | | | |
| | 12000868 | ON-OFF BIPOL.SWITCH UL 122H1N2X001 | 120V | | | | |
| 13 | 129511903 | SCREW TCB 2,9X6,4 DIN 7981 BZ NICK | | | | | |
| 14 | 122803921 | CUPWARMING LID TYPE 2002 CE SS | | | | | |
| 15 | 128310321 | WASHER UNI 8842 A3 SS | | | | | |
| 16 | 145846662 | CUP WARM. LID SEAL TYPE 2002 CE | | | | | |
| 17 | 11007077 | SS.SATINY CASING AROMA RST S.SCR. AROMA | | | | | |
| | 11006927 | BLACK CASING AROMA RST S/SCREEN AROMA | | | | | |
| 18 | 140321461 | OR 2018 IN EPDM | | | | | |
| 19 | 11007315 | SILVER KNOB+NIKELED/BRASS SHAFT L=68MM | | | | | |
| 20 | 145892250 | INSERT FOR STEAM TUBE BLACK DREAM | | | | | |
| 21 | 125740521 | GRATE + SLOTS FOR CA TYPE 2002 | | | | | |
| 22 | 149640650 | DRIP TRAY BLACK | | | | | |
| 23 | 146680159 | GREY/7016 COFFEE MEASURE | | | | | |
| 24 | 145849762 | PRES.FILTER HOLDER SS.BOILER H=11,3 | | | | | |
| 25 | 124653221 | POD FILTER F.D=31 MM H=20,2MM P=2 MM | | | | | |
| 26 | 226551850 | BLACK PRESS.FILTERH.BRASS | | | | | |
| | | SEE COD. EXPL. E90005 | | | | | |
| 27 | 12000836 | COFF/STEAM LIGHT BIP.SWITCH 11A5CLG000 | 230V | | | | |
| | 12000866 | COF/STEAM LIGHT BIP.SWITCH UL 11A5HLG000 | 120V | | | | |
| 28 | 11006942 | GREY INNER SUPPORT BUTTON AROMA RST | | | | | |
| 29 | 11007613 | SILVER BUTTON 1 CUP VIA VENEZIA RST | | | | | |
| 30 | 11007614 | SILVER BUTTON STEAM VIA VENEZIA RST | | | | | |
| 31 | 11007078 | SILVER BUTTON EXTERN. FRAME AROMA RST | | | | | |



Saeco® SIN 015XN



Cod.10001842-43-93-94

| POS | CODE | DESCRIPTION | NOTE | POS | CODE | DESCRIPTION | NOTE |
|-----|-----------|--|-----------|-----|-----------|---|------|
| 01 | 144650100 | SUCTION FILTER | | 39 | 126836321 | 3 TH .FIX. SPRING EARTH SYMBOL. ST | 230V |
| 02 | 149360200 | SILICONE TUBE 5X8 70SR IN ROLL | | 40 | 123452000 | NUT M 12 X1,25 H= 4,5 | |
| 03 | 147920300 | TEE CONNECTOR D=8 ART.80.26.047 KA | | 41 | 228455200 | FA. M10 DREAM SS BOIL.W/O VAPIS W/ | |
| 04 | JS01.022 | SILICONE TUBE 5X10 60 SHORE IN ROLL | | 42 | 128170302 | WASHER 9X27X2 GALV | |
| 05 | 147920150 | 90°CONNECTOR PUMP INLET | | 43 | 120350504 | SHAFT 8 UNI 7434 | |
| 06 | 149181550 | PUMP SUPPORT TYPE ULKA | | 44 | 123450408 | CHROMED LOCK.NUT STEAM TUBE + BUSH | |
| 07 | 12000140 | ULKA PUMP EP5/S GW | 230V-50HZ | 45 | 11002083 | ST.STEEL STEAM TUBE 105° PANNARELLO AS. | 230V |
| | 12000142 | ULKA PUMP EP5/S | 120V-60HZ | | 11002129 | ST.STEEL STEAM TUBE 100° AROMA ASSY. | 120V |
| 08 | 148050150 | BLACK PLAS. RIVET D1=9,5 X HOLE D= | | 46 | 227431350 | PANNARELLO ASS.G100 BLACK | |
| 09 | 140321961 | OR 2031 IN TERMOIL | | 47 | 189428200 | THERMOSTAT 175° 1NT-08L-3794 | 230V |
| 10 | 11001194 | NIKELED STRAIGHT CONNECT.FOR ULKA PUMP | | 48 | 189425100 | THERMOSTAT 127° 1NT-01L-0499 | |
| 11 | 11008877 | TEA/BRASS INNER TUBE BUSH (DE4XD13X10) | | 49 | 189422000 | THERMOSTAT 95° 1NT-01L-0036 | |
| 12 | 123460120 | BRASS NUT 1/8"GAS FOR TEFLON TUBE D=6 | | 50 | 126833921 | RESSORT THERMOSTATIQUE | 120V |
| 13 | 121800420 | OGIVE BUSH 6 (DE=8,4 DI =6,2 L=7 | | 51 | 128310521 | WASHER UNI 8842 A5 SS | |
| 14 | 149400100 | TEFLON TUBE 4X6 IN ROLL | | | | | |
| 15 | 222891400 | SS.LOWER BOILER CASING + HUB BRASS/NIK | | | | | |
| 16 | 140322962 | OR 176 IN SILICONE | | | | | |
| 17 | 188150158 | HEAT ELEMENT + NICKEL TERMINAL | 230V-900W | | | | |
| | 188150151 | HEAT ELEMENT + NICKEL TERMINAL | 120V-900W | | | | |
| 18 | 129310920 | NIKELED BRASS INTERNAL TUBE SS BOILER | | | | | |
| 19 | 123390109 | NUT 1/8 GAS H=6 CH=14 BRASS/NIKEL | | | | | |
| 20 | NM01.021 | OR 2050 SILICONE | | | | | |
| 21 | 122902121 | UPPER BOILER CASING + BRACKETS W/O VAPIS | | | | | |
| 22 | 140320762 | OR 108 IN SILICONE | | | | | |
| 23 | 127960903 | NIKELED/BRASS STRAIGH.FITT.FOR SS BOILER | | | | | |
| 24 | 149450588 | SILICONE VALVE 65SH BOILER SEALING | | | | | |
| 25 | 126761518 | SPRING FOR BOILER VALVE | | | | | |
| 26 | 11001196 | VIS DE VALVE CHAUDIERE | | | | | |
| 27 | 145841500 | FILTERHOLD SEAL | | | | | |
| 28 | 123741421 | PERCOLATOR DE =48,8 SS BOILER JACOBS | | | | | |
| 29 | 129854021 | TSP SCREW M4X8 UNI 7688 SS | | | | | |
| 30 | 220290300 | POLISHED FILTERHOLDER LOCKING RING AS. | 230V | | | | |
| | 11010147 | FILTERHOLD.LOCKING RING S/SCRENN ASSY. | 120V | | | | |
| 31 | 123160502 | NUT M5 HIGH UNI 5587-68 GALVANIZED | | | | | |
| 32 | 123330120 | CAP NUT M5 UNI 5721-69 CL5S | | | | | |
| 33 | 129680802 | SCREW WITH WASHER TE M5X20 GALVANIZ | | | | | |
| 34 | 11001193 | NIKELED CONNECFauc. /BOIL.SS.CAD-SAMBA | | | | | |
| 35 | 140323062 | OR 2043 IN SILICONE | | | | | |
| 36 | 140321861 | OR 2025 IN EPDM | | | | | |
| 37 | 123390420 | NUT 1/8 GAS H=4.5 CH=13 BRASS | | | | | |
| 38 | 128311204 | WASHER UNI 8842 A12 BURN. | | | | | |