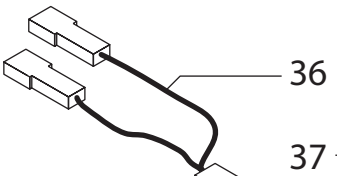


1

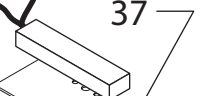
43



20



36



37

9

10

11

12

13

14

38

39

12

3

21

15

14

22

40

41

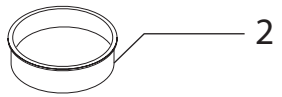
40

27

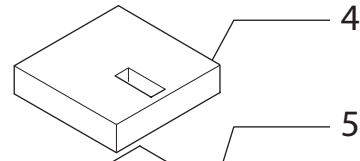
28

29

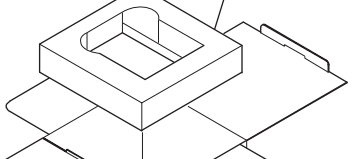
30



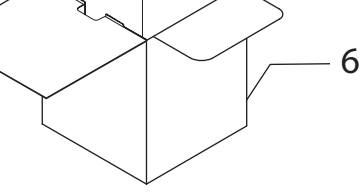
2



4



5



6

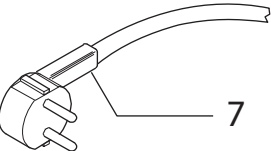
16

17

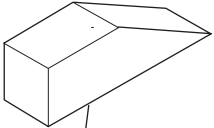
42

18

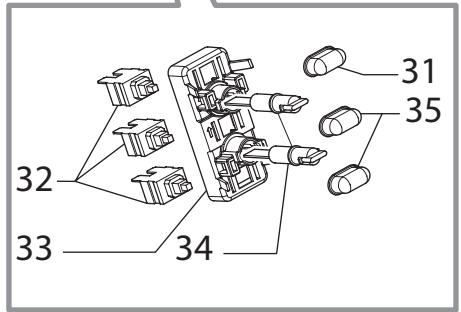
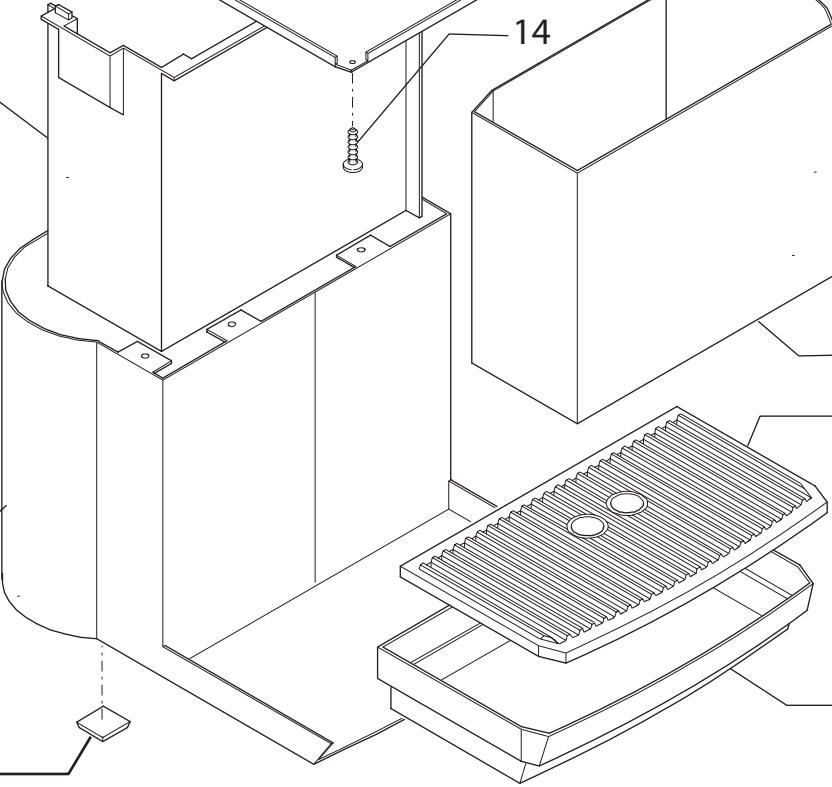
19



7



8



31

35

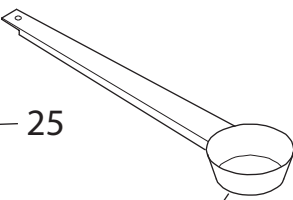
32

33

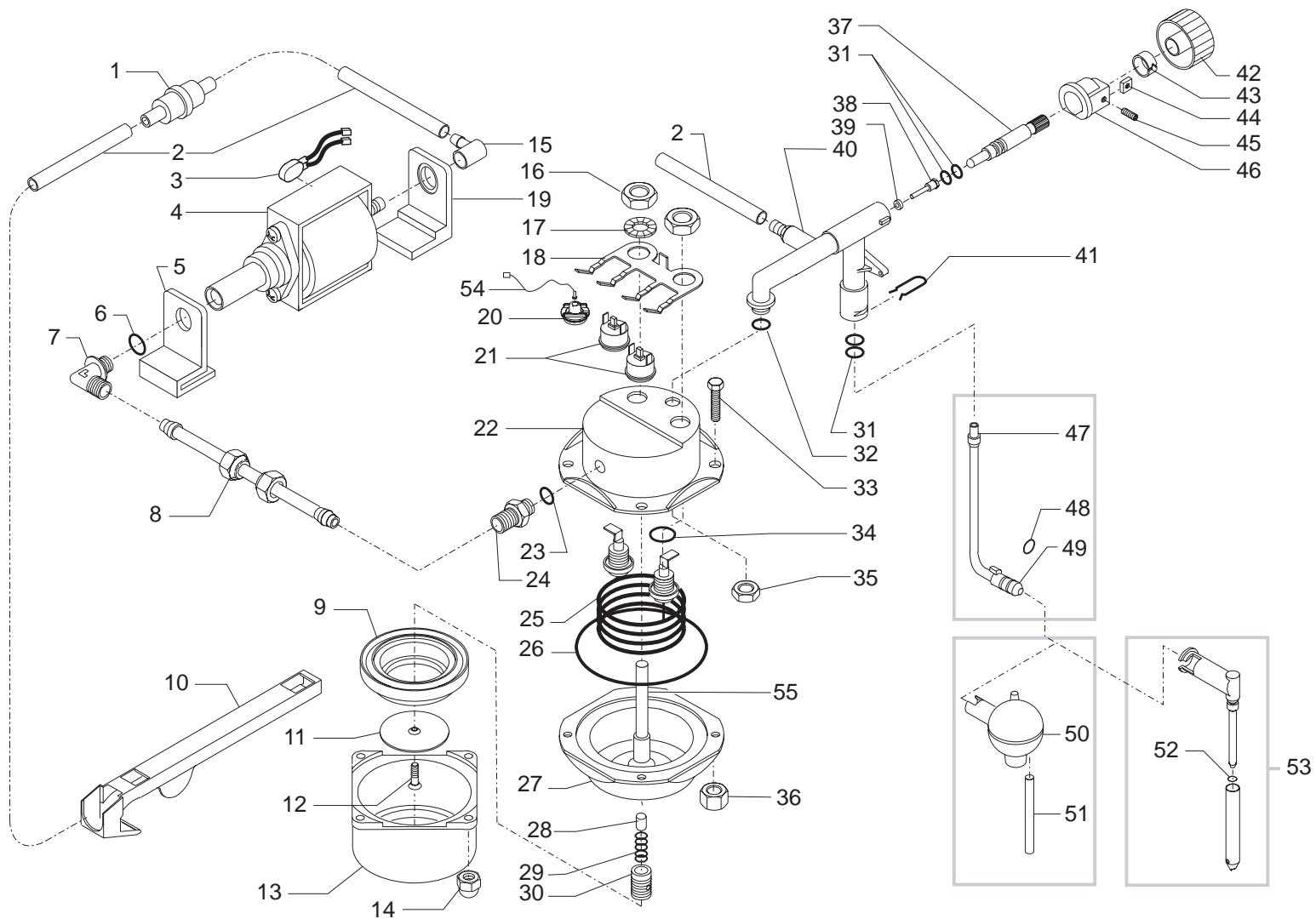
34

25

26



Pos	Article-Nr.	Description	Pos	Article-Nr.	Description
1	11002647	BRASS/BLACK FILTERH.ILLY ESE PODS ASSY.			
2	11002564	POD FILTER F.D=24 MM H=20,2MM P=2 MM			
3	11003183	AS.CPU+SW ILLY01 230V			
3	11007547	AS.CPU+SW ILLY01 120V			
4	177762100	UPP.POLYSTYR.PROTECT.MAGIC ESPR.BOX			
5	177762200	LO. POLYST.PROTECT. BOX MAGIC ESPR			
6	13000234	REDESIGN DISPLAY BOX ILLY MAGIC CAPP.			
7	183502000	BLACK POWER CABLE SCHUKO L=1600			
7	183920150	BLACK POWER CABLE USA SJT 3X18AWG L=1550			
8	175892500	CARDBOARD INSERT ACCESSORIES ESPR.PLUS			
9	186801400	3 WAY JUNCT.BLOCK PA 27/3 + SYMBOLS			
10	129670202	TCB PANELVIT SCREW 3,5X16 TESTA D=8 ZNP			
11	148600600	BLACK CABLE CLAMP MAGIC ESPR/COMBI			
12	129511903	SCREW TCB 2,9X6,4 DIN 7981 BZ NICK			
13	11006366				
13	149189500	WHITE PUMP SUPPORT MAGIC ESPRES/COMBI UL			
14	129512904	SCREW TCB 2,9X12,7 DIN 7981 BURN			
15	145020500	HOOK WATER ASPIRATION TUBE SUPPORT			
16	147754159	GREY WATER CONT.PROTECT.MAGIC ESP/COMBI			
17	143591259	WATER CONTAINER PROTECT.SPACER MAGIC			
18	222359141	SILVER CASING MAGIC ESP.			
19	147623150	BLACK SQUARE ADHESIVE FOOT 5023			
20	182510700	ANTIDIST.CONDENSER R.46 0,1MF 275VAC			
21	127534201	STEEL PUMP/BOILER SUPP.PLATE MAGIC ESPR.			
22	222680380	TRANS/GRY WATER CONT.MAGIC E/C WHITE MAX			
23	145741901	GREY GRATE FOR MAGIC ESPRESSO			
24	229630441	SILVER DRIP TRAY MAGIC ESPRESSO			
25	15001266	INSTRUC.MANUAL ILLY TYP SIN017XNI/RDS UL			
26	146680659	GREY MEASURE WITH HOLE			
27	222761168	TALB/GREY CUP WARMER LID MAGIC ESP/COMBI			
28	145848400	CUP WARMING LID SEAL MAGIC ESPR /COMBI			
29	11008479				
29	11003829	SILVER UPPER COVER S/SCREEN ILLY			
30	224872141	SILVER FRONT PANEL MAGIC ESPRESSO			
31	11003734				
32	12000400	SWITCH 5V L51HTN90AC			
33	149202600	SUPPORT FOR BUTTONS MAGIC ESPRESSO			
34	12000670	GREEN LUMIN.INDIC.5V 2182W000CL			
35	229140908	CHROMIUM PLATED BUTTON MAGIC ESPR/REDES.			
36	288650200	PTC EICH.90° TERM.MAGIC ESPR/COMBI			
37	129022900	PTC BRACKET MAGIC ESPRESS /COMBI			
38	128310404	WASHER UNI 8842 A4 BURNISHED			
39	129573202	SCREW TCB TORX 20 M4X8 AUTOFORMING ZN-B			
40	129573402	SCREW TAPT M4X10 DIN 7985 GALV			
41	128160200	WASHER 5X15 UNI 6593			
42	NE03.038	BIPOLAR SWITCH FUSIT C1250AR			
43	226551650	KIT SAE PORTAFILTER CREMA BLK			



Pos	Article-Nr.	Description	Pos	Article-Nr.	Description
1	144650300	ASPIRATION FILTER GAUZE NET 500 (NEW)	49	142270650	BLACK TUBE FOR CAPP/PANAR.W/OUT 2 OR
2	149360200	SILICONE TUBE 5X8 70SR IN ROLL	50	222520550	SPHERICAL CAPPUCCINATORE ASS.BLACK
3	11003536		51	149360400	TRANSPARENT SILCONE TUBE 3,5X6 IN ROLL
4	12000159	ULKA PUMP EFP4/S 120V-60HZ	52	140324761	OR METRIC 0050-20 IN TERMOIL
4	12000470	ULKA PUMP EP4/S GW 230V-50HZ	53	227430550	PANNARELLO AS. BLACK 90 DEGREES
5	149194050	LEFT SUPPORT MAGIC COMBI VAPIS PUM	54	12000402	NTC TEMPERATURE SENSOR
6	140321961	OR 2031 IN TERMOIL	55	129310920	TEA/BRASS INTERNAL TUBE FOR SS BOILER
7	11001480	TEA/B.CONN.90°1/8"GAS CYL.15,8X17MM ULKA			
8	227870500	CONNECTOR AS. 4X6 L=100 PUMP ULKA			
9	145841500	FILTERHOLD SEAL			
10	149189659	GREY SUCT.TUBE SUPPORT MAGIC ESP/COMBI			
11	123741421	PERCOLATOR DE =48,8 SS BOILER JACOBS			
12	129854021	TSP SCREW M4X8 UNI 7688 SS			
13	220290300	POLISHED FILTERHOLDER LOCKING RING ASSY.			
13	220300100	FILTERH.RETAIN.RING S/SCR.WITH LOCK ASSY			
14	123330120	BRASS CAP NUT M5 UNI 5721-69 CL.5S			
15	147920150	90° INLET PUMP CONNECTOR			
16	123452000	BRASS NUT M 12 X1,25 H= 4,5			
17	128311204	BURN.WASHER UNI 8842 A12			
18	126836321	3 TH .FIX. SPRING EARTH SYMBOL. ST			
19	149193950	RIGHT SUPPORT MAGIC COMBI VAPIS PU			
20	11003514	BOILER SENSOR SUPPORT MAGIC ESP.RD			
21	189428200	THERMOSTAT 175° 1NT-08L-3794			
22	122902121	SS UPPER BOILER CASING+BRACKET W/O VAPIS			
23	140320762	OR 108 IN SILICONE			
24	127960903	TEA/BRASS STRAIGHT FITTING FOR SS.BOILER			
25	188150151	HEAT ELEMENT+TEA/BRASS TERMINAL120V-900W			
25	188150158	HEAT ELEMENT+TEA/BRASS TERMINAL230V-900W			
26	140322962	OR 176 IN SILICONE			
27	222891400	SS.LOWER BOILER CASING+BRASS/TEA HUB			
28	149450588	65SH SILICONE BOILER SEALING VALVE			
29	126761518	SPRING FOR BOILER VALVE			
30	11001196	TEA/BRASS VALVE HOLD SCREW SS BOILER			
31	140321861	OR 2025 IN EPDM			
32	140323062	OR 2043 IN SILICONE			
33	129680802	GALVANIZ.SCREW WITH WASHER TE M5X20			
34	NM01.021	SILICONE OR 2050			
35	123390109	TEA/BRASS NUT 1/8 GAS H=6 CH=14			
36	123160502	NUT M5 HIGH UNI 5587-68 GALVANIZED			
37	11001523	TEA/BRASS FAUCET SHAFT+CAM L=64 MAG.ESP.			
38	11001485	NIKELED PISTON L=21			
39	11003980	TEFLON SEAL D=6 FOR PISTON			
40	228455603	TEA/BRAS.FAUCET D12 MAGIC SS BOILER ASSY			
41	126764018	SPRING D=1STEAM TUBE HOLDER JUNIOR			
42	147711550	KNOB FOR FAUCET SHAFT BLACK IDEA			
43	120460204	RAPID CONNECTOR D=10,6 H=5 SP=1			
44	123451900	SQUARE NUT M4 CH=8 H=2.5 ZNP			
45	125580104	STEI SCREW M4X8 UNI 5929 BURNISHED			
46	142200350	CAM FOR FAUCET SHAFT			
47	11002122				
48	140324461	OR ORM 0060-20 IN TERMOIL			