

Saeco
INTERNATIONAL GROUP

SUP 018 V2
UP TO S/N. 984044420



Cod. 7414
Cod.10001204

POS	CODE	DESCRIPTION	NOTE
01	0311.002.380	COVER M5000 METAL.BLACK	
	0311.002.560	COVER M5000 MARB.GREY	
	0311.002.600	COVER M5000 MARB.CREAM	
	0311.002.270.A	COVER M5000 YELLOW	
	0311.002.150	COVER M5000 GREY/7016	
	0311.002.490	COVER M5000 GREY/7011	
	0311.002.670	COVER M5000 GREY/3557	
02	0701.031.150	SEAL COVER GREY	
	145842900	WATER CONTAIN.VALVE SEAL GACO DIM14	
04	129535721	SCREW TSP3,5X9,5 DIN 7982 SS	
	0311.008.380	METAL/BLACK WATER CONTAINER LID M5000	
05	0311.008.560	MARB/GREY WATER CONTAINER LID M5000	
	0311.008.620	SPIDEM/GREY WATER CONTAINER LID M5000	
	0311.008.580	SILVER WATER CONTAINER LID M5000	
	0311.008.150	GREY/7016 WATER CONTAINER LID M5000	
	0311.008.490	UNPAINTED WATER CONTAINER LID M5000	
	0701.014.150	SEAL CONTAINER GREY	
	0312.022	SEAL FOR VALVE CONTAINER	
08	U143.007	SCREW TORX TCB 2,9X19 SS BUR	
	222693880	TRANSP/GREY WATER CONTAINER M5000 ASSY.	
09	222694080	WATER CONTAINER AS.M5000 TRANS/GREY	100V
	140324362	OR METRIC 0060-30 IN SILICONE	
11	126764718	SPRING FOR WATER CONTAINER VALVE	
	147660562	GREY WATER VALVE CONTAINER PISTON	
	0311.A03.380	METAL/BLACK CASING M5000 + FEET ASSY.	WITH PART. N°15-17
	0311.A03.560	MARB.GREY CASING M5000 + FEET ASSY.	WITH PART. N°15-17
	0311.A03.600	MARB.CREAM CASING M5000 + FEET ASSY.	WITH PART. N°15-17
	0311.A03.270.A	YELLOW CASING M5000 + FEET ASSY.	WITH PART. N°15-17
	0311.A03.150	GREY/7016 CASING M5000 + FEET ASSY.	WITH PART. N°15-17
13	0311.A03.490	GREY/7011CASING M5000 + FEET ASSY.	WITH PART. N°15-17
	0311.A03.670	GREY/3557 CASING M5000 + FEET ASSY.	WITH PART. N°15-17
	0311.004.380	METAL/BLACK GROUNDS CONTAINER M5000	
	0311.004.560	MARB./GREY GROUNDS CONTAINER M5000	
	0311.004.600	MARB./CREAM GROUNDS CONTAINER M5000	
14	0311.004.270.A	YELLOW GROUNDS CONTAINER M5000	
	0311.004.150	GREY/7016 GROUNDS CONTAINER M5000	
	0311.004.670	GREY/3557 GROUNDS CONTAINER M5000	
	9991.105	MAGNET D.9MM	
16	0311.020	BRACKET FOR DOOR CLOSURE	
	147622850	BLACK FOOT	
18	147756600	ELECTRONICS BOARD PROTECTION M5000	

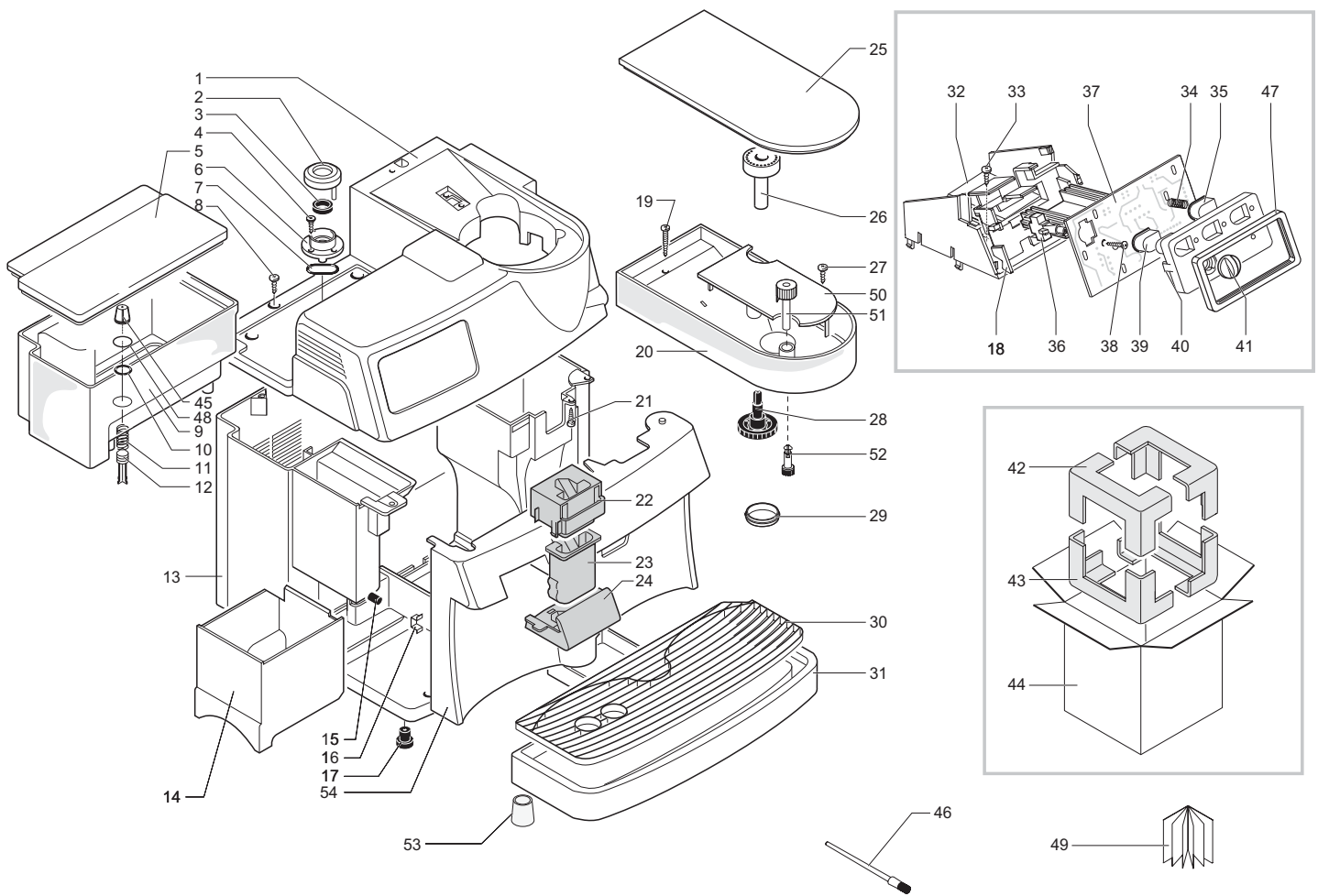
POS	CODE	DESCRIPTION	NOTE
19	129517103	SCREW TCB3,5X38,1 DIN 7981 GALV	
20	222710780	B.CONT.AS.W/SLOT W/O DOS ADJ .M500	
	222710980	B.CONT.AS.W/O SLOT W/O DOS ADJ M50	
	222711680	BEAN CONT.+ SLOTS + DOS.ADJUST.M5000 ASS	
21	129660902	PANEL/VIT TCB SCREW 3,5X12 D.7505 Z	
22	0311.022.490	GREY/7011 FIXED DISPENSING CHANNEL	
	0311.022.620	SPIDEM/GREY FIXED DISPENSING CHANNEL	
	0311.022.490.B	GREY/7011 FIXED DISPENSING CHANNEL	
23	0311.022.380	METAL/BLACK FIXED DISPENSING CHANNEL	
	0311.011.490	GREY/7011 MOBILE DISPENSING CHANNEL	
	0311.011.620	SPIDEM/GREY MOBILE DISPENSING CHANNEL	
24	0311.011.490.B	GREY/7011 MOBILE DISPENSING CHANNEL	
	0311.011.380	METAL/BLACK MOBILE DISPENSING CHANNEL	
	0311.012.490	DISPENSER SUPPORT GREY/7011	
	0311.012.620	DISPENSING SUPPORT GREY SPIDEM	
25	0311.012.380	DISPENSING SUPPORT METALLIZAT.BLACK	
	0311.009.380	METAL/BLACK COFFEE CONTAINER LID M5000	
	0311.009.560	MARB/GREY COFFEE CONTAINER LID M5000	
	0311.009.580	SILVER COFFEE CONTAINER LID M5000	
	0311.009.620	SPIDEM/GREY COFFEE CONTAINER LID M5000	
	0311.009.150	GREY/7016 COFFEE CONTAINER LID M5000	
	0311.009.490	UNPAINTED COFFEE CONTAINER LID M5000	
26	9141.051.490	GRINDING ADJUSTMENT KNOB	
27	U109.029	SCREW AUT.TCB 3,5X32 DIN 7981 C	
28	146000850	GEAR COFF. GRIND. ADJUSTMENT COMBI	
29	9161.270	SEAL FOR COFFEE CONTAINER	
30	0311.010.490	GRATE M5000 GREY/7011	
	0311.010.620	GRATE M5000 GREY SPIDEM	
	0311.010.380	GRATE M5000 METALIZED BLACK	
	0311.005.380	METAL/BLACK DRIP TRAY M5000	
	0311.005.560	MARB/GREY DRIP TRAY M5000	
31	0311.005.580	SILVER DRIP TRAY M5000	
	0311.005.620	SPIDEM/GREY DRIP TRAY M5000	
	0311.005.150	GREY/7016 DRIP TRAY M5000	
	0311.005.490	GREY/7011 DRIP TRAY M5000	
	0311.017.050	BLACK SUPPORT FOR ELECTRONIC CARD M5000	
	U110.005	SCREW AUT.TCB 3,9X9,5 DIN 7981 F	
	9161.220	SPRING FOR FUNCTION BUTTON	
35	0311.015.490	FUNCTION BUTTON M5000 GREY/7011	
	0311.015.620	FUNCTION BUTTON M5000 GREY SPIDEM	
	0311.015.380	FUNCTION BUTTON M5000 METALIZ.BLACK	

Saeco
INTERNATIONAL GROUP

SUP 018 V2
UP TO S/N. 984044420

Rev. 11 - 21/12/06

TAVOLA 1a/5



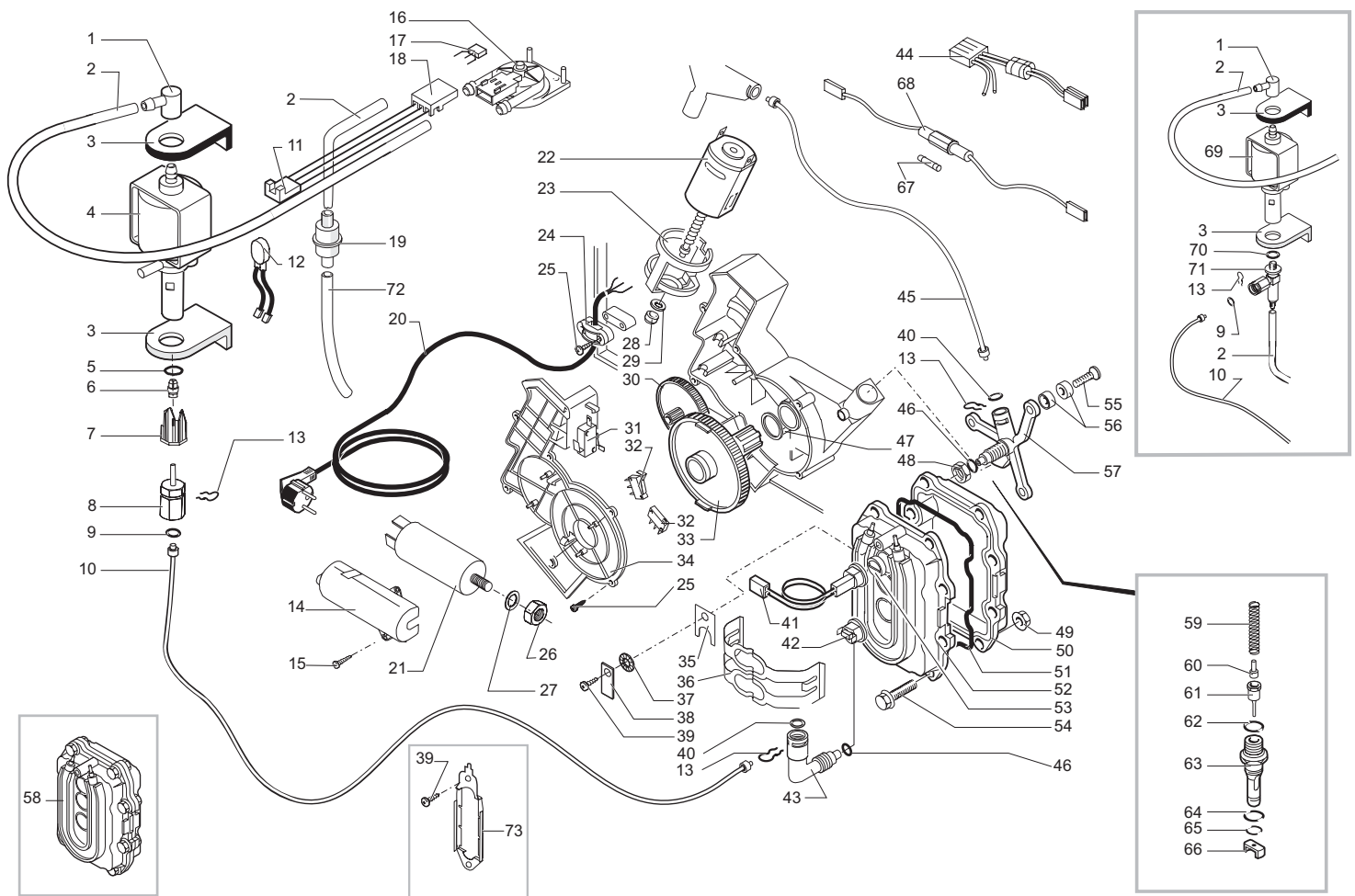
Saeco SUP 018 V2
INTERNATIONAL GROUP UP TO S/N. 984044420



Cod. 7414
Cod. 10001204

POS	CODE	DESCRIPTION	NOTE	POS	CODE	DESCRIPTION	NOTE
36	NE03.029	ROLD SWITCH CM E1058	230V	54	0311.028.270.A	YELLOW DOOR M5000 S/SCREEN VIENNA	
	186076255	UNIP. SWITCH ROLD 120V CM A1058	120V		228994053	DOOR M5000 ME/BLACK S/SCR.EDITION K	
37	181565558	ELECT.BOARD M5000-V2 + /PREINF.230	WITH ALUM. BOILER		228994259	DOOR M5000 S/SCR.LIMITED EDIT.	
	181565555	EL.BOARD CPU M5000-V2 WO/PREINF.1	WITH ALUM. BOILER		228994463	DOOR M5000 GREY S/SCREEN CAFF.MILAN	
	181554658	ELECTR.BOARD M5000-V3 + PREINF.230V	WITH AL.BO.WITH RES.		0311.028.670	GREY/3557 DOOR M5000 S/SCREEN VIENNA	
	181554655	ELECTR.BOARD M5000-V3 + PREINF.120V	WITH AL.BO.WITH RES.		228994363	DOOR M5000 GREY S/SCREEN EDITION 4	
	181565358	EL.BOARD CPU M5AV1-6 W O/PREINF.23	WITHOUT PREINF.		228995263	DOOR M5000 GREY S/SCREEN EDITION 5	
38	U140.004	PANELVIT TCB 3,0X12 DIN 7505 B GAL			228991550	DOOR M5000 MA.GREY S/SCR.CAF.GRANDE	
39	0311.014.490	ON/OFF BUTTON FOR M5000 GREY/7011			0311.028.560.A	MARB/GREY DOOR M5000 S/SCREEN VIENNA	
	0311.014.620	ON/OFF BUTTON FOR M5000 GREY SPIDEM					
	0311.014.380	ON/OFF BUTTON FOR M5000 METAL.BLACK					
40	0311.026.380	FRONT PANEL M5000 MET.BLACK S/SCREEN					
	0311.026.560	FRONT PANEL M5000 MARB.GREY S/SCREE					
	0311.026.600	FRONT PANEL M5000 MARB.CREAM S/SCRE					
	0311.026.270.A	FRONT PANEL M5000 YELLOW S/SCREEN					
	0311.026.150	FRONT PANEL M5000 GREY7016 S/SCREEN					
	0311.026.490	FRONT PANEL M5000 GREY7011 S/SCREEN					
	0311.026.670	FRONT PANEL M5000 GREY3557 S/SCREEN					
	0311.026.560.A	FRONT PANEL M5000 MARB.GREY S/SCREE					
41	0311.016.490	DOSE ADJUSTMENT KNOB M5000 GREY7011					
	0311.016.620	DOSE ADJUSTM.KNOB M5000 GREY SPIDEM					
	0311.016.380	DOSE ADJUSTMENT KNOB M5000 METBLACK					
42	13000030	UPPER INSERT POLYSTIR.BOX M5000					
43	13000031	LOWER INSERT POLYSTIR.BOX M5000					
44	178505000	DISPLAY BOX SAECO M5000 VIENNA					
	178505100	DISPLAY BOX SAECO M5000 CAFF'	CAFF' MILANO				
	178514600	FLESSOGR.BOX SAECO M5000 CAF.GRANDE					
45	224640200	EXTERNAL FILTER FOR WATER CONTAINER ASSY	WITH PART. N°48				
46	127390100	BRUSH FOR CLEANING					
47	145850100	ADH. SEAL FRONT FUSTEL.PLA. M5000					
48	140328461	EPDM OR METRIC 0190-10					
49	0311.951	INSTRUCTION BOOKLET SAECO EXPORT					
	165891600	INST.MANUAL SAECO CAF.MILAN SUP018C					
	165932300	INST.MANUAL SAECO CAF.GRANDE SUP018					
50	147755280	BEAN CONT. PROT. + DOS ADJUST S500					
51	147715659	COFFEE DOSE ADJUST. KNOB M5000					
52	146001850	COFFEE DOSE ADJ.GEAR BLACK M5000					
53	145894700	ROTATING RING RETAINING INSERT					
54	0311.028.380	METAL/BLACK DOOR M5000 S/SCREEN VIENNA					
	0311.028.560	MARB/GREY DOOR M5000 S/SCREEN VIENNA					
	0311.028.600	MARB/CREAM DOOR M5000 S/SCREEN VIENNA					

Saeco SUP 018 V2
INTERNATIONAL GROUP UP TO S/N. 984044420



Saeco
INTERNATIONAL GROUP

SUP 018 V2
UP TO S/N. 984044420

ALUM. BOILER 230V
UP TO S/N. 9003SA40005738



Cod. 7414
Cod.10001204

POS	CODE	DESCRIPTION	NOTE
01	147920150	90°CONNECTOR PUMP INLET	
02	149360200	SILICONE TUBE 5X8 70SR IN ROLL	
03	149185850	EATON PUMP SUPPORT MAGIC 4002012	
04	9070.037.00A	PUMP PO 01 230V 50HZ	
05	NM03.018	OR 2025 NBR	
06	9071.075	BICONE IN PLASTIC FOR TUBE D.6	
07	9071.071	RING NUT FOR TUBE RETAINING D.6	
08	9071.097	CONNECTOR FOR TUBE D.4	
09	NM02.028	OR 2015 EPDM FDA	
10	227872100	TEFLON TUBE 2X4 L=235 MM ASSY	
11	283542200	3 POLES CONNECTORS TURB.M5000 ASSY.	
12	0311.807	YELLOW HARNESS KLIXON JP 13	
13	9011.144	FORK FOR TUBE D.4	
14	142851100	ANTIDISTURB FILTER COVER M5000	
15	129660902	PANELVIT TCB SCREW 3,5X12 D.7505 Z	
16	286473300	-M-VDE TURBINE WITH SENSOR KIT PARTICULAR NOT AVAILABLE	WIT PART. N°17 SEE PART. N°16
18	9161.018	BRACKET FOR TURBINE	
19	144650300	SUCTION FILTER GAUZE NET 500 (NEW	
20	183910450	POWER CABLE SCHUKO BLACK L=1500	
	183930250	POW.CABLE CH BLACK H05+3FAST.L=1500	
	183950150	P.CABLE ITALY BLACK .H05 + FAST.L=	
21	184651100	ANTIDISTURB FILTER 0.47X2+1000Y2+0.5L	
22	286891358	GEN.MOTOR FOR RATIOMOTOR M/S 5000 ASSY.	WITH PART. N°23-44
23	9121.044	ANTIVIBRATION FOR MOTOR	
24	148600600	CABLE CLAMP V0 MAGIC ESP COMBI UL	
25	129670202	PANE. TCB SCREW 3,5X16 TESTA D=8 Z	
26	123270202	NUT M8 LOW UNI 5589 -A-6S GALVANIZED	
27	128310802	WASHER UNI 8842 A8 GALV.	
28	9121.046	SINTERED BUSH FOR MOTOR	
29	148380200	WASHER BAKELIZZATE D=5,5	
30	9121.042	GEAR Z.12/90	
31	NE05.042	MICROSWITCH	
32	NE05.038	MICROSWITCH	
33	9121.068.150	GEAR Z=108 FOR MOUNTING PLATE M5000	
34	9161.200.920	TRANSPARENT LID FOR RATIOMOTOR M5000	
35	126836402	PROBE LOCKING SPRING FOR BOIL. M50	
36	9011.142	THERMOSTAT RETAINING SPRING	
37	128310504	WASHER UNI 8842 A5 BURN.	
38	186400600	FLAT TABS 6,3 D=5,3 0010487200	
39	129575403	SCREW TAPT M5X10 DIN 7500C NICK	
40	140328059	OR 2015 IN SILICONE PTFE/FDA	
41	286472258	SENSOR KIT FOR CA M/S 5000 V2	230V
42	189428200	THERMOSTAT 175° 1NT-08L-3794	
43	127914020	BRASS 90 DEG FIT.1/8" GAS MASTER	

POS	CODE	DESCRIPTION	NOTE
44		PARTICULAR NOT AVAILABLE	SEE PART. N°22
45	227872000	CONNECTOR AS. TEFLON 2X4 L=440 MM	
46	140321462	OR 2018 IN SILICONE	
47	9161.132	MYLAR WASHER FOR RATIOMOTOR	
48	123390420	NUT 1/8 GAS H=4.5 CH=13 BRASS	
49	123270102	NUT M6 FLANGED TOOTHED BASE GALV	
50		PARTICULAR NOT AVAILABLE	SEE PART. N°58
51	9011.129	BOILER SEAL	
52		PARTICULAR NOT AVAILABLE	SEE PART. N°58
53	11004424	ALUM.SPACER FOR PHILIPS SENSOR MAGIC	
54	U046.004	SCREW TEFLON M6,0X26 GALV.	
55	U044.017	SCREW TSPC M5,0X20 UNI 7688 GALV.	
56	9161.206	INSULATING SPACER FOR BOILER	
57	9011.126	ALU.BOILER SUPPORT BRASS	
58	286472858	SPARES KIT AN/BOIL+SENS.CAB.M5000/F	
	286473058	SPARES KIT AN/BOIL+SENS.AS.M5000V2F	
59	9011.132	SPRING FOR PIN	(I) (E) (P) (ARG) OTHER COUNTRY
60	227480203	BRASS/NIK.PIN FOR PISTON L=20,9	
61	227660103	BRASS PISTON L=20,9 ASSY.	
62	140320459	OR METRICO 0080-20 SILICON.PTFE/FDA	
63	9011.100	PEG FOR VALVE IN PLASTIC	
64	NM01.035	OR ORM 0090-20 SILICONE	
65	NM01.057	OR ORM 0050-20 SILICONE	
66	9011.099	M CURSOR FOR BOILER VALVE IN PLASTIC	
67	327002200	FUSE T6.3 AMP.5X20 RETARDED	
68	183003662	1 STR+ SIL. CABLE BLUE 510 MM	
69	12000140	ULKA PUMP EP5/S GW 230V-50HZ	
70	140321961	OR 2031 IN TERMOIL	
71	229451300	PUMP SAFETY VALVE D=8 ULKA PUMP	
72	JS01.022	SILICONE TUBE 5X10 60 SHORE IN ROLL	
73	126836517	STEEL SPRING RETAIN.3 THE.BOIL. M5	
	289433200	GEN TURB. AS.UNIFIED FOR M5000	VALID FROM 01-01-99

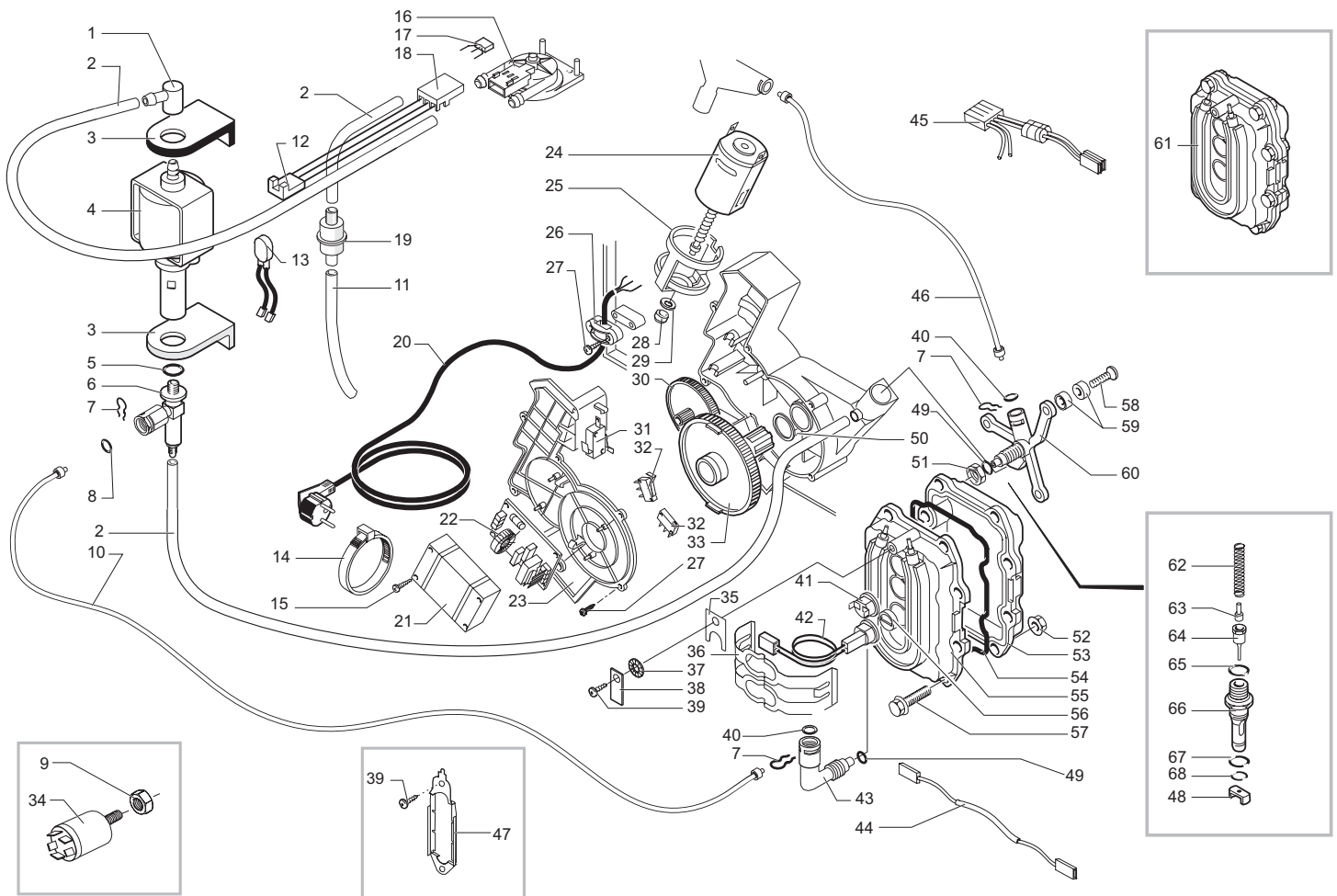
Saeco
INTERNATIONAL GROUP

SUP 018 V2
UP TO S/N. 984044420

ALUM. BOILER 230V
UP TO S/N. 9003SA40005738

Rev. 08 - 21/12/06

TAVOLA 2/5



Saeco
INTERNATIONAL GROUP

SUP 018 V2
UP TO S/N. 984044420

ALUM. BOILER 100-120V
UP TO S/N. 9003SA40328365



Cod. 7414
Cod.10001204

POS	CODE	DESCRIPTION	NOTE	POS	CODE	DESCRIPTION	NOTE
01	147920150	90°CONNECTOR PUMP INLET		42	286471555	SENSOR KIT FOR CA M/S 5000	100V (J)
02	149360200	SILICONE TUBE 5X8 70SR IN ROLL			286472255	SENSOR KIT FOR CA M/S 5000 V2	120V
03	149185850	EATON PUMP SUPPORT MAGIC 4002012		43	127914020	*BRASS 90 DEG FIT.1/8" GAS MASTER	
04	12000131	ULKA PUMP EP5/S	120V-60HZ	44	183361062	CABLE 1 WIRE SIL.BLUE AWG18 + FUSE	
	12000130	ULKA PUMP EP5/S GW	100V-50/60HZ (J)	45		PARTICULAR NOT AVAILABLE	SEE PART. N°24
05	140321961	OR 2031 IN TERMOIL		46	227872000	CONNECTOR AS. TEFLON 2X4 L=440 MM	
06	229451300	PUMP SAFETY VALVE D=8 ULKA PUMP		47	126836517	STEEL SPRING RETAIN.3 THE.BOIL. M5	
07	9011.144	FORK FOR TUBE D.4		48	9011.099	M CURSOR FOR BOILER VALVE IN PLASTIC	
08	NM02.028	OR 2015 EPDM FDA		49	140321462	OR 2018 IN SILICONE	
09	123453602	FLANGE NUT M8 TOOTHED BASE GALV.		50	9161.132	MYLAR WASHER FOR RATIOMOTOR	
10	227872100	TEFLON TUBE 2X4 L=235 MM ASSY		51	123390420	NUT 1/8 GAS H=4.5 CH=13 BRASS	
11	JS01.022	SILICONE TUBE 5X10 60 SHORE IN ROLL		52	123270102	NUT M6 FLANGED TOOTHED BASE GALV	
12	283542200	3 POLES CONNECTORS TURB.M5000 ASSY.		53		PARTICULAR NOT AVAILABLE	SEE PART. N°61
13	289201000	THERMAL. PROTECT 120 C CABLE.125/3		54	9011.129	BOILER SEAL	120V
14	144320500	SELF LOCK STRIP L=290 MM			145854200	BOILER SEAL	100V (J)
15	129660902	PANELVIT TCB SCREW 3,5X12 D.7505 Z		55		PARTICULAR NOT AVAILABLE	SEE PART. N°61
16	286473300	-M-VDE TURBINE WITH SENSOR KIT	WITH PART. N°17	56	11004424	ALUM.SPACER FOR PHILIPS SENSOR MAGIC	
17		PARTICULAR NOT AVAILABLE	SEE PART. N°16	57	U046.004	SCREW TEZF M6,0X26 GALV.	
18	9161.018	BRACKET FOR TURBINE		58	U044.017	SCREW TSPC M5,0X20 UNI 7688 GALV.	
19	144650300	SUCTION FILTER GAUZE NET 500 (NEW		59	9161.206	INSULATING SPACER FOR BOILER	
20	183910450	POWER CABLE SCHUKO BLACK L=1500		60	9011.126	ALU.BOILER SUPPORT BRASS	
	NE01.026	POWER CABLE SJT3C USA GREY 3FL.1500		61	286472854	SPARES KIT AN/BOIL+SENS.CAB.M5000/F	100V (J)
	183921350	POW.CABLE SJT3C 16AWG USA BLA.5FL.1700			286473055	SPARES KIT AN/BOIL+SENS.AS.M5000V2F	120V
	183921360	PO.CABLE SJT3C 16AWG USA GREY.5FL=1700		62	9011.132	SPRING FOR PIN	
21	142844459	GREY COVER FILTER EL.CARD MAGIC		63	227480203	BRASS/NIK.PIN FOR PISTON L=20,9	
22	181563155	ELECTR.BOARD 120V FILTERING MAGIC		64	227660103	BRASS PISTON L=20,9 ASSY.	
23	9161.200.920	TRANSPARENT LID FOR RATIOMOTOR M5000		65	140320459	OR METRICO 0080-20 SILICON.PTFE/FDA	
24	286891355	GEN.MOTOR FOR RATIOMOTOR M/S5000 UL ASSY	WITH PART. N°25-45	66	9011.100	PEG FOR VALVE IN PLASTIC	
25	9121.044	ANTIVIBRATION FOR MOTOR		67	NM01.035	OR ORM 0090-20 SILICONE	120V
26	148600600	CABLE CLAMP V0 MAGIC ESP COMBI UL			140323161	OR METRIC 0090-20 IN TERMOIL	100V (J)
27	129670202	PANE. TCB SCREW 3,5X16 TESTA D=8 Z		68	NM01.057	OR ORM 0050-20 SILICONE	120V
28	9121.046	SINTERED BUSH FOR MOTOR			140324761	OR METRIC 0050-20 IN TERMOIL	100V (J)
29	148380200	WASHER BAKELIZZATE D=5,5			289433200	GEN TURB. AS.UNIFIED FOR M5000	VALID FROM 01-01-99
30	9121.042	GEAR Z.12/90					
31	NE05.042	MICROSWITCH					
32	NE05.038	MICROSWITCH					
33	9121.068.150	GEAR Z=108 FOR MOUNTING PLATE M5000					
34	NE13.023	EICHHOFF FILTER 16A					
35	126836402	PROBE LOCKING SPRING FOR BOIL. M50					
36	9011.142	THERMOSTAT RETAINING SPRING					
37	128310504	WASHER UNI 8842 A5 BURN.					
38	186400600	FLAT TABS 6,3 D=5,3 0010487200					
39	129575403	SCREW TAPT M5X10 DIN 7500C NICK					
40	140328059	OR 2015 IN SILICONE PTFE/FDA					
41	189428200	THERMOSTAT 175° 1NT-08L-3794					

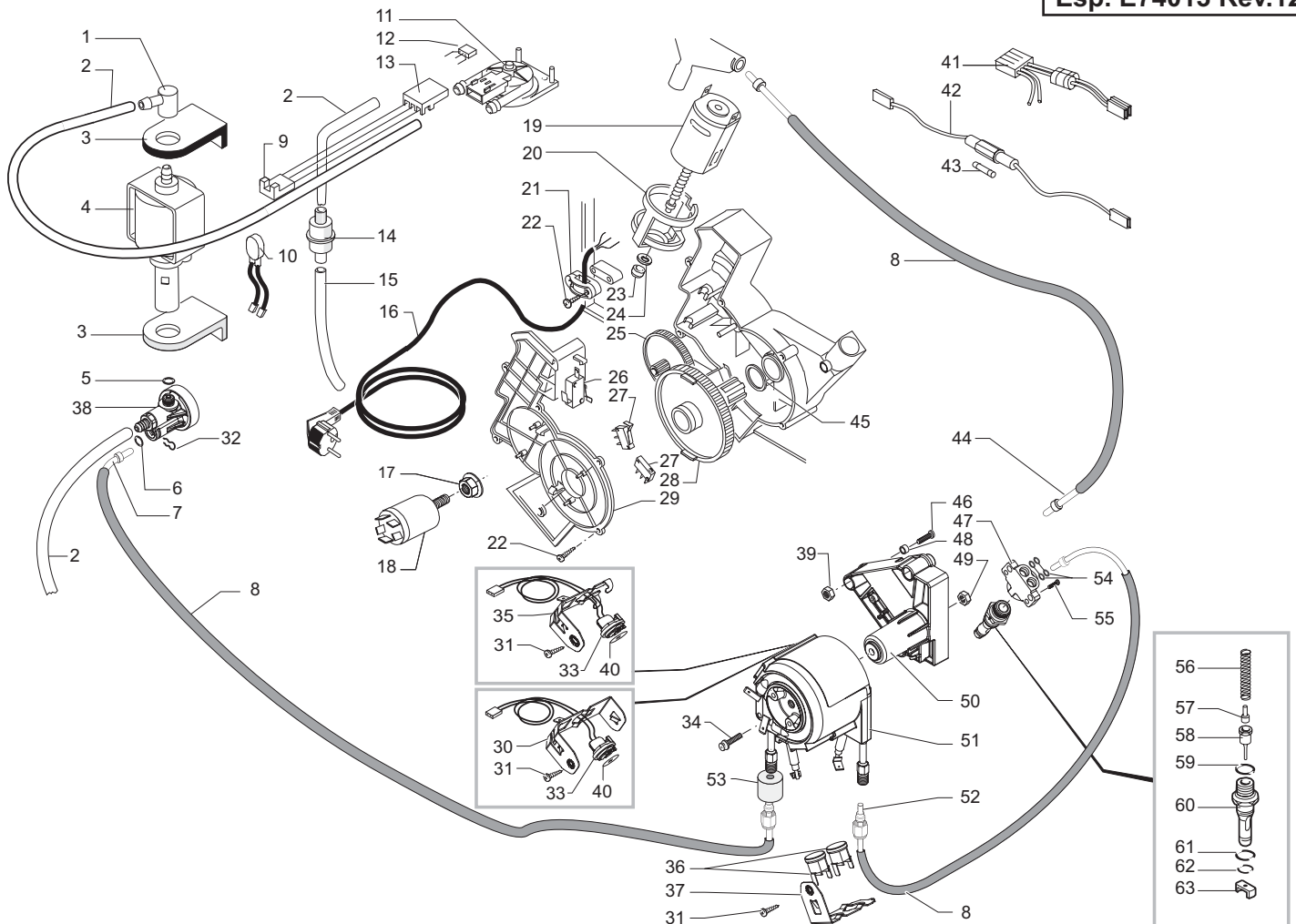
Saeco
INTERNATIONAL GROUP

SUP 018 V2
UP TO S/N. 984044420

ALUM. BOILER 100-120V
UP TO S/N. 9003SA40328365

Rev. 09 - 21/12/06

TAVOLA 3/5



Saeco
INTERNATIONAL GROUP

SUP 018 V2
UP TO S/N. 984044420

ALUM. BOILER WITH RESIST.
230V FROM S/N. 9003SA40005739
120V FROM S/N. 9003SA40328366



Cod. 7414
Cod.10001204

POS	CODE	DESCRIPTION	NOTE	POS	CODE	DESCRIPTION	NOTE
01	147920150	90°CONNECTOR PUMP INLET		33	288582200	SENSOR ASS.FOR ALLUM.BOILER AS.	
02	149360200	SILICONE TUBE 5X8 70SR IN ROLL		34	129932202	ROUND HEAD SCREW 10.9 M5X20 GALV	
03	149185850	EATON PUMP SUPPORT MAGIC 4002012		35	126838217	SENSOR FIXING SPRING	
04	12000140	ULKA PUMP EP5/S GW	230V-50HZ	36	189428200	THERMOSTAT 175° 1NT-08L-3794	
	12000131	ULKA PUMP EP5/S	120V-60HZ	37	126838117	2 THERMOSTATS FIXING SPRING	
	12000130	ULKA PUMP EP5/S GW	100V-50/60HZ	38	229452100	COMPENSATION AND SAFETY VALVE 16BAR ASSY	
05	140321961	OR 2031 IN TERMOIL		39	U310.003	NUT SELF LOCK.M5 UNI 7473	
06	NM02.028	OR 2015 EPDM FDA				UP TO S/N. 9005SA40278596	
07	227874900	CONNECTOR AS.TEFLON 2X4 L=250 MM		40	145951600	ELECTRIC INSULATING DISK D=16	
08	149361200	BLACK SILICON TUBE 7,5X9,3 IN ROLL		41		PARTICULAR NOT AVAILABLE	SEE PART. N°19
09	283542200	3 POLES CONNECTORS TURB.M5000 ASSY.		42	183003662	1 STR+ SIL. CABLE BLUE 510 MM	230V
10	0311.807	YELLOW HARNESS KLIXON JP 13	230V	43	183361062	CABLE 1 WIRE SIL.BLUE AWG18 + FUSE	100-120V
	289201000	THERMAL. PROTECT 120 C CABLE.125/3	100-120V	44	327002200	FUSE T6,3 AMP.5X20 RETARDED	230V
11	286473300	-M-VDE TURBINE WITH SENSOR KIT	WITH PART. N°12	45	184950200	FUSE T15 AMP.DELAYED	100-120V
12		PARTICULAR NOT AVAILABLE	SEE PART. N°11	46	11002649	CONNECTOR AS.TEFLON 2X4 L=480 MM	
13	9161.018	BRACKET FOR TURBINE		47	147922700	BOILER SUPPORT CONNECTOR	
14	144650300	SUCTION FILTER GAUZE NET 500 (NEW		48	9161.206	INSULATING SPACER FOR BOILER	
15	JS01.022	SILICONE TUBE 5X10 60 SHORE IN ROLL		49	123453902	SELF-LOCKI.NUT M5X0,8 DIN 980 CLA.8	
16	183910450	POWER CABLE SCHUKO BLACK L=1500		50	20000203	SPARES KIT SUPPORT BOILER M5000	
	183930250	POW.CABLE CH BLACK H05+3FAST.L=1500				UP TO S/N. 9005SA40278596	
	183950150	P.CABLE ITALY BLACK .H05 + FAST.L=		47	147922700	BOILER SUPPORT CONNECTOR	
	183922060	POWER CABLE SJT3C USA GREY 5FL1590		48	9161.206	INSULATING SPACER FOR BOILER	
	183980550	POWER CABLE JAPPON VCTF BLACK L=1590		49	123453902	SELF-LOCKI.NUT M5X0,8 DIN 980 CLA.8	
	11003361	GREY POWER CABLE BRAZIL 5FL=1590		50	20000203	SPARES KIT SUPPORT BOILER M5000	
	183940250	BLACK POWER CABLE AUSTR.H05+FAST.L=1500				UP TO S/N. 9005SA40278596	
	NE01.026	POWER CABLE SJT3C USA GREY 3FL1500		44	149197900	SUPPORT FOR ALLUMINIUM BOILER	
	183990950	BLACK POWER CABLE RVV 3X1 CHINA L=1590MM				FROM S/N. 9005SA40278597	
17	123453602	FLANGE NUT M8 TOOTHED BASE GALV.	230V	51	282058858	ALUM.BOILER WITH RESISTANCE	230V-1100V
18	184651100	ANTIDISTURB FILTER 0,47X2+1000Y2+0,5L	120V		282058855	ALUM.BOILER WITH RESISTANCE	120V-275W
	184651500	ANTIDISTURB FILTER 16A FNC 1610474472A	WITH PART. N°20-41		282058854	ALUM.BOILER WITH RESISTANCE	100V-1100W
19	11003032	GENERAL MOTOR FOR RATIOMOTOR M5000 ASSY.		52	227876800	CONNECTOR TEFLON 2X4 L=235 MM ASSY.	
20	9121.044	ANTIVIBRATION FOR MOTOR		53	147756562	PROTECTION FOR FOLK SPRING TUBE D=4	
21	148600600	CABLE CLAMP V0 MAGIC ESP COMBI UL		54	140328059	OR 2015 IN SILICONE PTFE/FDA	
22	129670202	PANE. TCB SCREW 3,5X16 TESTA D=8 Z		55	129910103	HI-LO TC SCREW 3,5X15 RIF.910189	
23	9121.046	SINTERED BUSH FOR MOTOR		56	9011.132	SPRING FOR PIN	
24	148380200	WASHER BAKELIZZATE D=5,5		57	227480203	BRASS/NIK.PIN FOR PISTON L=20,9	
25	9121.042	GEAR Z.12/90		58	227660103	BRASS PISTON L=20,9 ASSY.	
26	NE05.042	MICROSWITCH		59	140320459	OR METRICO 0080-20 SILICON.PTFE/FDA	
27	NE05.038	MICROSWITCH		60	9011.100	PEG FOR VALVE IN PLASTIC	
28	9121.068.150	GEAR Z=108 FOR MOUNTING PLATE M5000		61	NM01.035	OR ORM 0090-20 SILICONE	
29	9161.200.920	TRANSPARENT LID FOR RATIOMOTOR M5000		62	NM01.057	OR ORM 0050-20 SILICONE	
30	126838017	SENSOR FIXING SPRING		63	9011.099	M CURSOR FOR BOILER VALVE IN PLASTIC	
31	129573402	SCREW TAPT M4X10 DIN 7985 GALV					
32	9011.144	FORK FOR TUBE D.4					

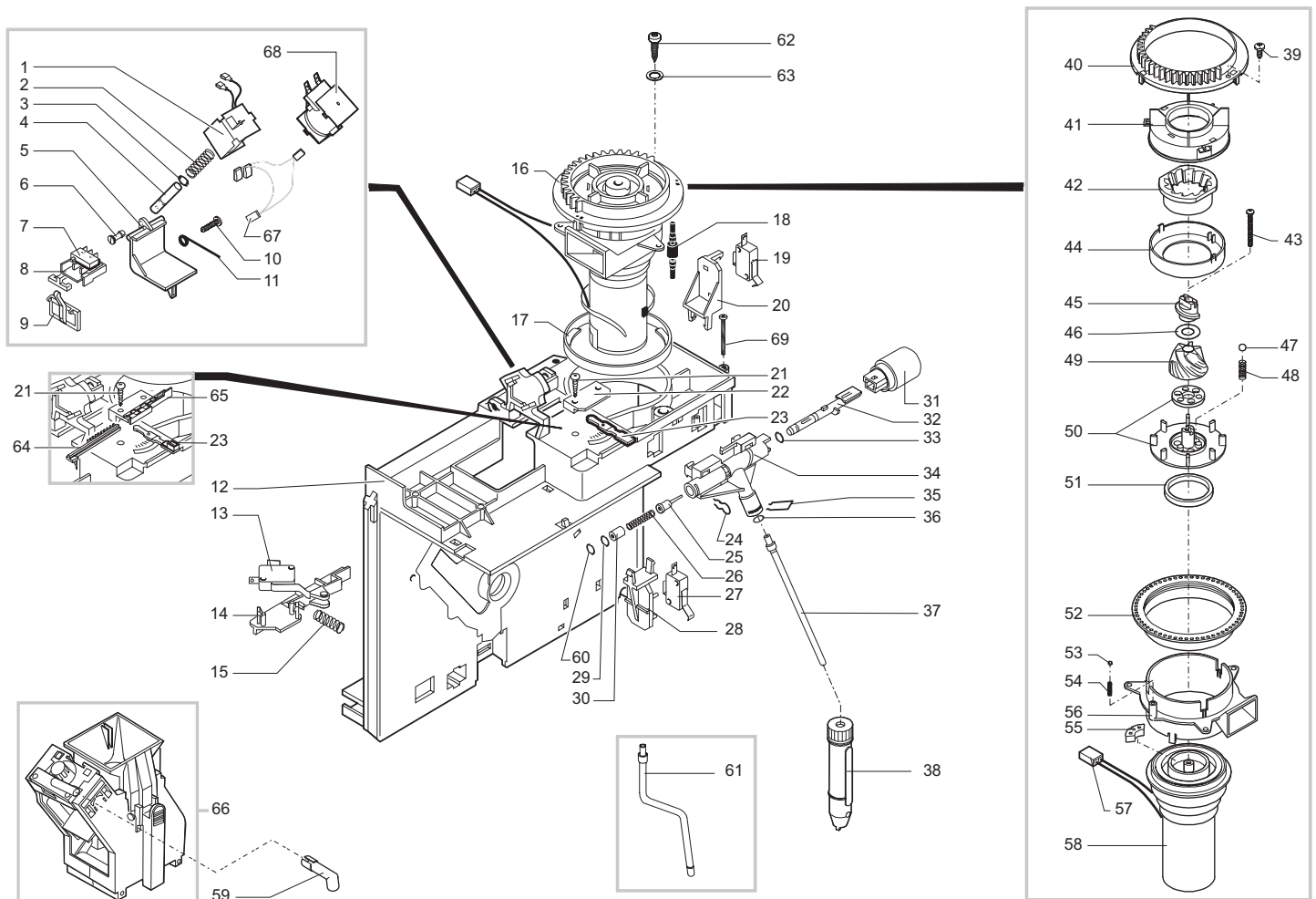
Saeco
INTERNATIONAL GROUP

SUP 018 V2
UP TO S/N. 984044420

ALUM. BOILER WITH RESIST.
230V FROM S/N. 9003SA40005739
120V FROM S/N. 9003SA40328366

Rev. 03 - 21/12/06

TAVOLA 4/5



SUP 018 V2
UP TO S/N. 984044420



Cod. 7414
Cod.10001204

POS	CODE	DESCRIPTION	NOTE
01	9129.A07.00A	COFFEE DOSER COIL ASS. UP TO S/N. 20024065687	230V
	283770755	V2 COFFEE DOSER COIL ASS.	120V
02	126764818	SPRING ELECTROM.BEAN DOSER MAGIC	
03	U701.003	SNAP RING 7 UNI 7434	
04	9161.041	DOSER ELECTROMAGNET CORE	
05	9161.074.150	DOSER DOOR GREY	
06	9161.076.150	DOSER DOOR PIN GREY	
07	NE05.017	MICROSWITCH	
08	149185959	BEAN DOSER MICRO SUPORT MAGIC	
09	148700559	COFFEE DOSER DOSE ADJ. SEL. GR MAG	
10	U140.004	PANELVIT TCB 3,0X12 DIN 7505 B GAL	
11	9161.048	SCRAPER ROD	
12	9161.249.150	MOUNTING PLATE ASSEMBL.GREY	
13	186724000	MICROSWITCH SAIA X3M502K8MCM92AU	
14	9161.202.150	COMPENSATOR FOR GROUNDS MICRO	
15	9161.221	SPRING GROUND.MICROSUPP.COMPENSA	
16	286883755	GENER.MOTOR AS.M5000 (STD/V2)	120V
	286883758	GENER.MOTOR AS.M5000 (STD/V2)	230V
	286883858	GENER.MOT.AS.230V M5000 (ITALY/V2)	230V
	286883754	GENER.MOTOR AS.M5000 (STD/V2)	100V
17	9141.052	COFFEEGRINDER REINFORCING RING	
18	9991.103	ANTIVIBRATION FOR COFFEEGRINDER	
19	NE05.043	MICROSWITCH	
20	9161.207.150	SUPPORT FOR FAUCET MICRO	
21	129660902	PANELVIT TCB SCREW 3,5X12 D.7505 Z	
22	147571059	GREY LEVER FIX.PLATE W/O DOSE ADJUSTM.	
23	9161.122.150	DOSE ADJUSTMENT LEVER GREY CLASSIC	
24	9011.144	FORK FOR TUBE D.4	
25	227660103	BRASS PISTON L=20,9 ASSY.	
26	126765317	STEEL SPRING BOIL. PISTON MAG.9011	
27	186723600	MICROSWITCH SAIA X3M502K2KAM92AS	
28	9161.208.150	SUPPORT FOR DOOR MICRO	
29	NM02.028	OR D=15 EPDM FDA	
30	9991.112	BUSH FOR FAUCET	
31	227720963	STEAM KNOB M5000 GREY/7011 S/SCR.	
	227720960	STEAM KNOB M5000 SPID/GREY S/SCR.	
	227720761	SPIDEM/GREY STEAM KNOB M5000-SPIDEM S/SCR	
	227720953	STEAM KNOB M5000 MET BLACK S/SCREE	
32	9161.205	STEAM TAP SHAFT	
33	140328561	OR D=4,18 X 1,90 IN TERMOIL	
34	9161.204.G	STEAM FAUCET	
35	126764018	SPRING D=1STEAM TUBE HOLDER JUN.	
36	140324461	OR METRIC 0060-20 IN TERMOIL	
37	9011.149	STEAM TUBE ASSY.	

POS	CODE	DESCRIPTION	NOTE
38	147430150	PANNARELLO AS. BLACK PLASTIC	
	147430163	PANNARELLO AS. GREY PLASTIC	
	147430161	PANNARELLO AS. GREY /SPIDEM PLASTI	
39	129511803	SCREW TCB 2,9X6,4 DIN 7981 NICK	
40	148650250	SECTOR GEARGRIND ADJUSTMENT KNOB COMBI	
41	149186150	BLACK UPPER GRINDER SUPPORT MAGIC	
42		PARTICULAR NOT AVAILABLE	SEE PART. N°49
43	129931002	TORX SCREW T10 TCB 3,5X40 SX ZNG	
44	142844550	UPPER GRINDER COVER COFFEE GRIND. MAGIC	
45	147470763	INCREASE SCREW PIN COFFEE GRINDER MAGIC	
46	U201.002	PLAIN WASHER 10X16X0,2DIN 988 GAL	
47	128610521	STAIL.STEEL AISI 304 SPHERE D=5,5MM	
48	126765517	STEEL SPRING SPHERE D=5,5 MOTOR MAGIC	
49	226473500	KIT TECNIA GRINDERS	WITH PART. N°42
50	149188750	CONICAL GRIND. SUPP. + RING MAGIC	
51	140360200	FELT RING 40X34X5	
52	146570950	RING NUT FOR GRINDING ADJUSTMENT MAGIC	
53	128610421	STAIL.STEEL AISI 304 SPHERE D=3,2MM	
54	126770117	NEW SPRING SPHERE D=3,2 MOTOR MAGI	
55	140230400	SHOCK ABS .CONICAL GRINDER SUPP.MAGIC	
56	149186350	GRINDER MOTOR SUP.BLACK MAGIC	
57	283544900	2POLES CONN.AS.COF.GRIN.JP1 33MH CA	230V
	283542600	2 P.CONN.AS. COFF.GRIND.JP1 CA	100-120V
58	286851858	MOTOR AS.NEW MAGIC DE LUXE	230V
	286851855	MOTOR AS.NEW MAGIC DE LUXE	120V
	286851854	MOTOR AS.NEW MAGIC DE LUXE	100V
59	0311.023.150	SLEEVE FOR DISPENSER	
60	140328161	OR D=3,85 X 1,90 IN EPDM	
61	229380908	CHROMED STEAM TUBE AS.L=125,88 S5000	
62	129670202	PANE. TCB SCREW 3,5X16 TESTA D=8 Z	
63	U207.004	PLAIN WASHER 4,3X16 UNI 6592 GAL	
64	148740450	TOOTHED SLIDE FOR DOSE ADJUST GEAR	
65	147571850	BLACK LEVER FIXING PLATE + DOSE ADJUSTM.	
66	11004181	BLACK BREW UNIT NEW M5000 SEE EXPL. COD .E90050 NOTE: FOR SINGLE PART. OF THE OLD GROUP COFFEE' GREY SEE EXPL. COD. E90026	
67	289202800	THERMAL PROTECTOR 100 C CAB.145/280	
68	9129.A23.00A	WHOLE COIL M5000/S5000 FROM S/N. 20024065688	230V
69	129661502	SCREW PANELVIT TCB 3X38 DIN 7505 ZN	



SUP 018 V2
UP TO S/N. 984044420