

**Saeco** SUP 021 Y  
INTERNATIONAL GROUP

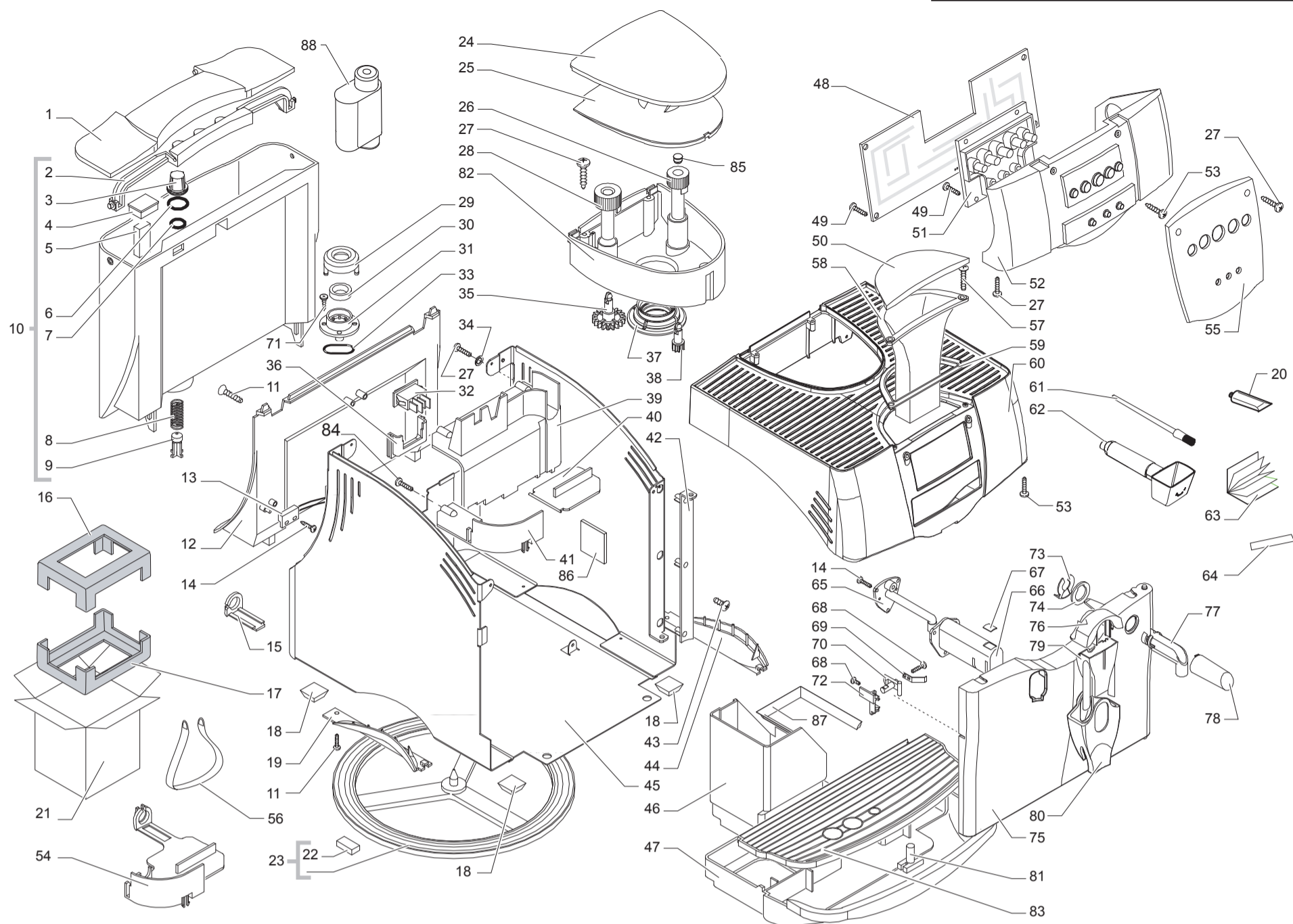
CE Cod. 740802-05-07-09-10001370

POS	CODE	DESCRIPTION	NOTE	POS	CODE	DESCRIPTION	NOTE
01	222762841	WATER CONTAINER LID SMART SILVER		39	147755800	INTERN.CASING PROTECTION POWER CABLE	
02	146580950	BLACK KNOB WATER CONTAINER LID SMART		40		PARTICULAR NOT AVAILABLE	SEE PART.N°54
03	224640200	EXTERNAL FILTER FOR WATER CONTAINER ASSY	WITH PART.N°06	41		PARTICULAR NOT AVAILABLE	SEE PART.N°54
04	149214359	BLACK CAP FOR FLOATING SPACE LAV.		42	222630150	DOOR HINGE SMART BLACK	UP TO S/N 9003SA40323614
05	9161.112.150	LEVEL FLOAT GREY			226481450	DOOR HINGE KIT SMART BLACK	FROM S/N 9003SA40323615 TO S/N 9005SA40022836
06	140328461	EPDM OR METRIC 0190-10			222630550	DOOR HINGE SMART BLACK	FROM S/N 9005SA40022837
07	140324362	OR METRIC 0060-30			222630141	DOOR HINGE SMART SILVER	UP TO S/N 9003SA40323614
08	126764718	SPRING FOR WATER CONTAINER VALVE			226481441	DOOR HINGE KIT SMART SILVER	FROM S/N 9003SA40323615 TO S/N 9005SA40022836
09	147660562	GREY WATER VALVE CONTAINER PISTON			222630541	DOOR HINGE SMART SILVER	FROM S/N 9005SA40022837
10	226476300	KIT WATER CONTAINER SMART NATURAL/GREY		43	129740202	SCREW TSP PH/TT 4X10 UNI 8113 ZNP	WITH HINGE V1
11	129912902	SCREW TCB TORX 10 2,9X6,5 SHEET ZN-B	Ⓝ WITHOUT PAR.N°3,6		129511903	SCREW TCB 2,9X6,4 DIN 7981 BZ NICK	WITH HINGE V3
12	149194650	SUPP.WATER CONTAIN.W/O LAMP HOUSING		44	225920141	HANGRIP DX SMART SILVER	
13	149194618	SUPP.WATER CONTAIN. W/O LAMP HOUSING		45	222482450	BLACK CASING WITH KNOB SMART ASSY.	UP TO S/N 9003SA40323614
14	283551900	2 POLE LEVEL SENSOR AS.SMART	230V		222360450	BLACK CASING SMART	FROM S/N 9003SA40323615
15	283551955	2 POLE LEVEL SENSOR AS.SMART	100V-120V		222482441	SILVER CASING WITH KNOB SMART ASSY.	UP TO S/N 9003SA40323614
16	129532521	SCREW TSP2,9X9,5 DIN 7982 SS	SEE PART.N°54		11001021	MATT SILVER CASING SMART	FROM S/N 9003SA40323615
17	175897200	UPPER TECHMATE INSERT FOR BOX SMART			222482491	AMARANTH CASING WITH KNOB SMART ASSY.	UP TO S/N 9003SA40323614
18	13000300	LOWER TECHMATE INSERT FOR BOX SMART			222360491	AMARANTH CASING SMART	FROM S/N 9003SA40323615
19	147623150	SQUARE ADHESIVE FOOT 5023 BLACK		46	11005555	BLACK DUMP BOX SMART SILK/SCREEN	
20	225920241	HANGRIP SX SMART SILVER		47	229630850	BLACK DRIP TRAY SMART	
21	11005044	SAECO KLUBER TRIBOSTAR SIL 2 TUBE 5GR.			229630891	AMARANTH DRIP TRAY SMART	
22	178506900	FLEXOGRAP.BOX 5COL.SAECO INCANTO DIG.		48	181550758	TERMINAL BOARD FOR CA SMART 230V	WITH ALL.BOILER CASING
23	9991.096	SQUARE ADHESIVE FOOT 8X15X3,2			181553158	TERMINAL BOARD SMART SUP021Y 230V	WITH AL.BO.WITH RESIST.
24	220380259	ROTATING RING SMART WITH 3 FEET			11013632	CPU+SW ASSEMBLY INCANTO BASE V1 230V	WITH AL.BO.WITH RESIST.
25	222762641	BEAN COFF.CONTAIN.LID SMART SILVER			181550755	TERMINAL BOARD FOR CA SMART 120V	WITH ALL.BOILER CASING
26	142813879	TRAN./BLU LID SAFETY AROM.CAF.CON.SMART			181553155	TERMINAL BOARD SMART SUP021Y 120V	WITH AL.BO.WITH RESIST.
27	227721359	GREY COFF. DOSE ADJUST.KNOB S/S.SMART		49	129913202	SCREW TCB TORX 10 3X8 PLAST.ZN-B	
28	129913902	SCREW TCB TORX 10 3X12 PLAST.ZN-B		50	222762741	GROUND COFF.CONTEN.LID SMART SILVER	
29	227721459	GRIND.ADJUSTM.GREY KNOB SMART S/SCR		51	281561300	TOUCH PANEL ELECTRON.BOARD AS.SMART	
30	0701.031.150	SEAL COVER GREY		52	149194450	BLACK SUPPORT ELECTRONIC CARD SMART	
31	145842900	WATER CONTAIN.VALVE SEAL GACO DIM14		52	149194418	BLACK SUPPORT ELECTRONIC CARD SMART	
32	0701.014.150	SEAL CONTAINER GREY		53	129533202	SCREW TSPTORX T10 3,5X9,5 D7982 NI	
33	NE03.028	SWITCH B1031C1181000W		54	148601650	1GROMMET FOR POWER CABLE SMART	
34	140320461	OR ORM 0080-20 IN TERMOIL		55	224884441	FRONT PANEL SILVER SMART S/S.INCANT	
35	128310321	WASHER UNI 8842 A3 SS INOX		56	179990300	BAND FOR LIFTING L=1550 H=300 MM	
36	146000850	GEAR COFF. GRIND. ADJUSTMENT COMBI		57	12000895	SCREW TSP TORX 10 3X10 PLAST.SS	
37	149202550	BLACK SWITCH GENERAL SUPPORT SMART					
38	145852360	BEAN COFFEE CONTAINER SEAL SMART					
	146001950	COFFEE DOSE ADJ.GEAR BLACK SMART					

**Saeco**  
INTERNATIONAL GROUP

INCANTO

TABLE 1a/5



**Saeco** SUP 021 Y  
INTERNATIONAL GROUP

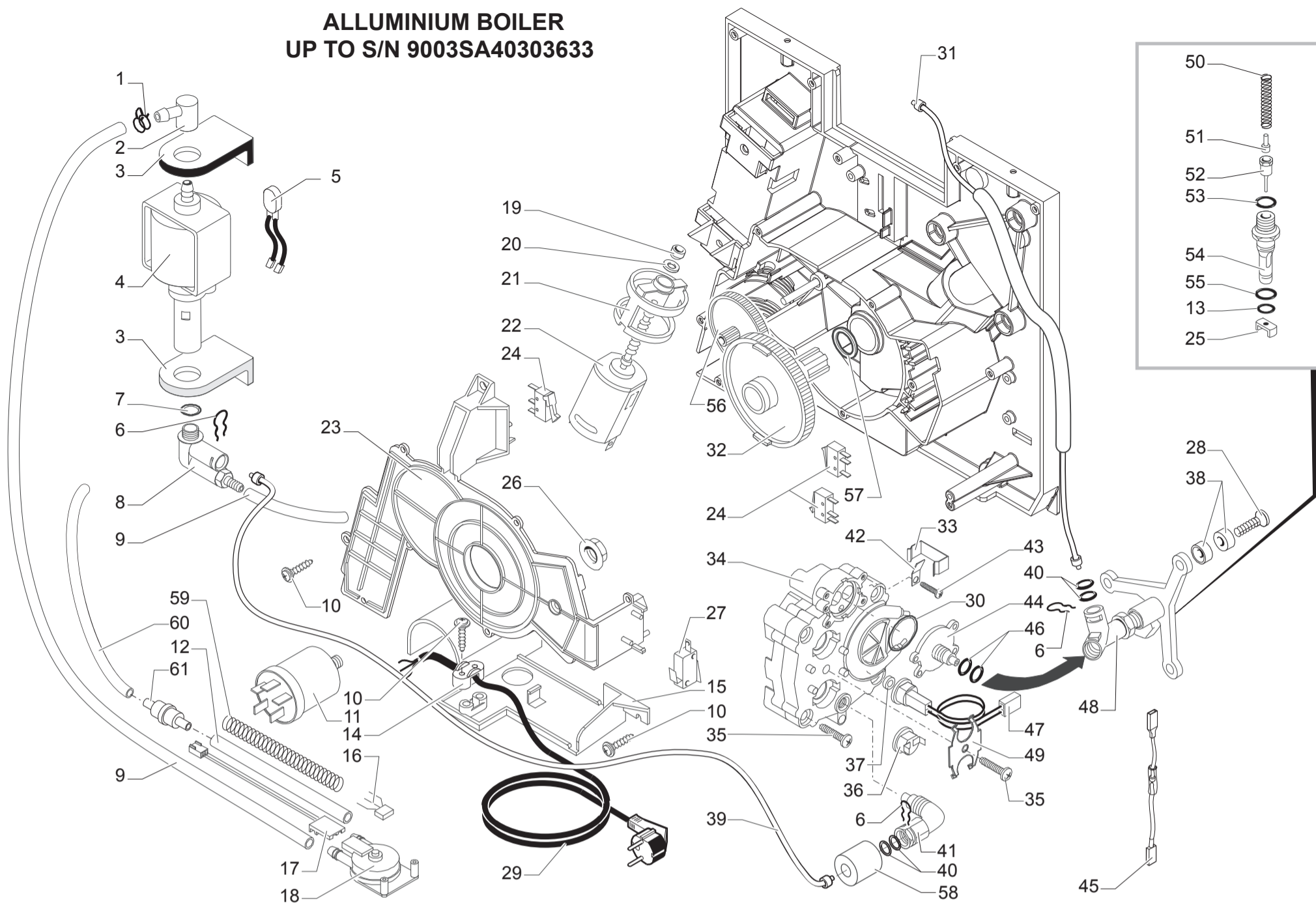


Cod. 740802-05-07-09-10001370

POS	CODE	DESCRIPTION	NOTE	POS	CODE	DESCRIPTION	NOTE
58	149260850	HOPPER BLACK GROUND COF.DOSE SMART		82	142713879	BEAN CONTAINER TRANSP/BLUE SMART	
59	145851950	GROUND COFFEE CONT.SEAL UPPER SMART		83	225741041	SILVER GRATE SMART	
60	222810850	BLACK COVER W.O/OPEN SMART S/SCREEN		84	129660304	PANELVIT TCB SCREW 3X10 DIN 7505 BU	
	222810891	AMARAN.COVER W.O/OPEN SMART S/SCREEN		85	149213059	CAP FOR KNOBS BEAN CONTAINER	
	222810841	SILVER COVER W.O/OPEN SMART S/SCREEN		86	225304200	ADHESIVE AERSTOP (35X4) L=35 MM	
	11000026	BLACK COVER W.O/OPEN SMART/UL S/SCREEN	(J)	87	229170450	SEALING SUPPORT AS.WATER DRIP TRAY	
61	127390100	BRUSH FOR CLEANING		88	21001404	ACC SAE BRITA UNI.WAT.FILTERX1 EUR-ASIA	
62	146680850	BLACK COFFEE MEASURE SMART					
63	15002069	INSTRUC.MANUAL V2 SAECO SUP021Y I/D/GB/F					
	15002100	INSTRUCT.MANUAL V2 SAECO SUP021Y E/P/NL					
	225930205	INST.MANUAL SAECO SUP021Y BRASIL ASS.					
64	0301.961	WATER HARDNESS TEST					
65	149501050	BLACK COFFEE DISPENSING TUBE SMART					
	149501051	BLACK COFFEE DISPENSING TUBE SMART	(J)				
66	229183041	SILVER COFF.DISPE.HEAD SUP.SMART S/SCR					
67	222762541	SILVER COFFEE DISPENSER SUPP.LID SMART					
68	129511821	SCREW TCB 2,9X6,4 DIN 7981 SS					
	129910921	HI-LO TC SCREW 3X10 STEEL					
		<b>UP TO S/N 9003SA40006718</b>					
		<b>FROM S/N 9003SA40006719</b>					
69	126837421	SPRING DESENGAGE LEVER DOOR SMART					
		<b>UP TO S/N 9003SA40006718</b>					
70	146313540	DISENGAGE LEVER GREY/SIL.DOOR SMART					
		<b>UP TO S/N 9003SA40006718</b>					
	146313740	DISENG. LEVER GREY/SILVER DOOR SMART					
		<b>FROM S/N 9003SA40006719</b>					
71	129535721	SCREW TSP3,5X9,5 DIN 7982 SS	INOX				
72	147572240	STOP PLATE LEVER DOOR GREY/SILV.SM.					
		<b>UP TO S/N 9003SA40006718</b>					
73	NF11.084	FOLK SPRING					
74	9161.384	SPACER FOR CONNECTION STEAM TUBE					
75	228982350	DOOR SMART BLACK					
	228982341	DOOR SMART SILVER					
	228982391	AMARANTH DOOR SMART					
76	222762441	SILVER COFFEE DISPENSER LID SMART					
77	147921750	BLACK CONNECTOR STEAM TUBE SMART					
78	222822641	SILVER COVER CONNEC.STEAM TUBE SMART					
79	147370350	MOBILE PART COFFEE DISPENSIG SMART					
	147370351	MOBILE PART COFFEE DISPENSIG SMART	(J)				
80	222860241	SILVER COFFEE DISPENSER SMART					
81	145501211	RED FLOAT FOR DRIP TRAY SMART					



**ALLUMINIUM BOILER  
UP TO S/N 9003SA40303633**



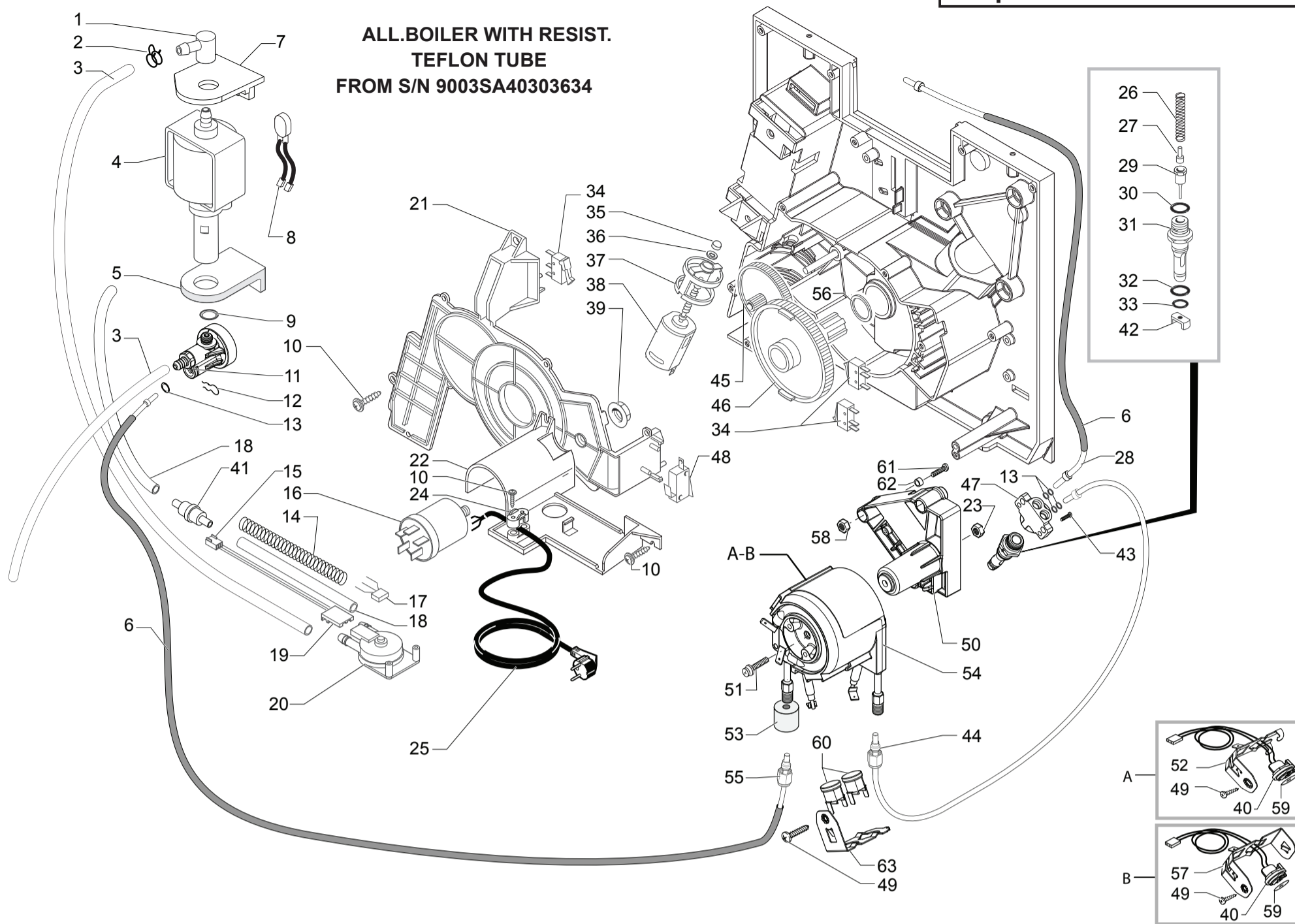
**Saeco** SUP 021 Y  
INTERNATIONAL GROUP



**Cod. 740802-05-07-09-10001370**

POS	CODE	DESCRIPTION	NOTE	POS	CODE	DESCRIPTION	NOTE
01	184320200	SPRING HOSE CLAMP D=9,5MM		34	9019.A61.00A	BOILER CASINGS ASS. PROFESS.	230V
02	147920150	90°CONNECTOR PUMP INLET			9019.A61.00F	BOILER CASINGS ASS. PROFESS.	120V
03	149185850	EATON PUMP SUPPORT MAGIC 4002012			9019.A61.00R	BOILER CASINGS ASS. PROFESS.	100V
04	12000140	ULKA PUMP EP5/S GW	230V-50HZ	35	129828502	TCB SCREW M6X30 UNI 7687 ZNP	
	12000131	ULKA PUMP EP5/S	120V-60HZ	36	NE09.006	THERMOSTAT 170°NC FAST. 90°+WASHER	
	12000130	ULKA PUMP EP5/S GW	100V-50/60HZ	37	123591222	ALUM.SPACER NEW FOR SENSOR MAGIC	
05	0311.807	YELLOW HARNESS KLIXON JP 13	230V	38	9161.206	INSULATING SPACER FOR BOILER	
	289202600	THERMAL PROTECTOR 120°C	120V	39	227874300	TEFLON TUBE 2X4 L=135 MM ASSY	
06	9011.144	FORK FOR TUBE D.4			227872400	TEFLON TUBE 2X4 L=115 MM ASSY	
07	140321961	OR 2031 IN TERMOIL		40	NM02.028	OR 2015 EPDM FDA	
08	229451900	ASSY SAFETY VALVE TO 90° SMART		41	9991.150	BRASS CONNECTOR 1/8" CONICAL AT 90°	
09	149360200	SILICONE TUBE 5X8 70SR	IN ROLL	42	NE15.026	MALE TONGUE 45° 6,3 D.5,2	
10	129670202	TCB PANELVIT SCREW 3,5X16 TESTA D=8 ZNP		43	U046.003	SCREW TCBC M4,0X12 INDENT. WASH.8	
11	184651100	ANTIDISTURB FILTER 0,47X2+1000Y2+0,5L	230V	44	229182920	BRASS SUPPORT BOIL.W/O.VALVE M4000	
	184651500	ANTIDISTURB FILTER 16A FNC 1610474472A	120V	45	183441362	CABLE 1WIRE SILIC.BLUE TH/FUSE 192°	
12	JS01.022	SILICONE TUBE 5X10 60 SHORE	IN ROLL	45	183441862	CABLE 1WIRE SILIC.BLUE AWG18 TH/FUSE192°	
13	NM01.057	OR ORM 0050-20 SILICONE		46	140321462	OR 2018 IN SILICONE	
14	148600600	CABLE CLAMP V0 MAGIC ESP COMBI UL		47	288581358	SENSOR ASS.CA MP5000/SMART	230V
15	149194800	NATURAL TURBINE SUPPORT SMART			288581355	SENSOR ASS.CA MP5000/SMART	120V
16		PARTICULAR NOT AVAILABLE	SEE PART.N°18	48	229170600	CASING SUPP.BRASS AS.Boil.M4000/SM.	
17	283551300	3POLE CONNECT.AS.TURBINE JP18 SMART		49	126834600	SPRING FIXING 2 THERMOSTATS MAGIC	
18	286473300	-M-VDE TURBINE WITH SENSOR KIT	WITH PART.N°16	50	9011.132	SPRING FOR PIN	
19	9121.046	SINTERED BUSH FOR MOTOR		51	11009013	TEA/BRASS PIN FOR PISTON L=10	
20	148380200	WASHER BAKELIZZATE D=5,5		52	11009019	TEA/BRASS PISTON L=20,9 ASSY.	
21	147753250	R.MOTOR ANTIVIBRAT. PROTECT. MAGIC		53	140320459	OR METRICO 0080-20 SILICON.PTFE/FDA	
22	286891058	GEN.ASS.MOTOR FOR RATIOMOTOR	230V	54	9011.100	PEG FOR VALVE IN PLASTIC	
	286891155	GENER.MOT.FOR RATIOMOTOR SMART UL AS.	120V	55	NM01.035	OR ORM 0090-20 SILICONE	
23	9161.331.920	TRANSPARENT RATIOMOTOR COVER		56	9121.042	GEAR Z.12/90	
24	NE05.038	MICROSWITCH		57	9161.132	MYLAR WASHER FOR RATIOMOTOR	
25	145893000	CURSOR INSERT BOIL.VALVE NEW MAGIC		58	147756562	PROTECTION FOR FOLK SPRING TUBE D=4	
26	123453602	FLANGE NUT M8 TOOTHED BASE GALV.		59	228950600	SPIRALITE 8X10 (P3) L=150 MM	
27	186723800	MICROSWITCH SAIA X3M502K2KAM92AS		60	JS01.022	SILICONE TUBE 5X10 60 SHORE IN ROLL	
28	U044.017	SCREW TSPC M5,0X20 UNI 7688 GALV.		61	144650300	SUCTION FILTER GAUZE NET 500 (NEW)	
29	183910450	POWER CABLE SCHUKO BLACK L=1500			282130958	ALUM.GEN.Boil.AS.230V M4000SMART/2R	COMPLETE
	183921650	POWER CABLE SJT3C USA BLACK 3F.L=1590	(BR)		282130955	ALUM.GEN.Boil.AS.120V M4000SMART/2R	COMPLETE
	183940250	BLACK POW. CABLE AUSTR.H05+FAST.L=1500			282130954	ALUM.GEN.Boil.AS.100V M4000SMART/2R	COMPLETE
	183980450	POWER CABLE JAPPON VCTF BLACK L=1590					
30	140324562	OR 2106 IN SILICONE					
31	227874100	CONNECTOR AS.TEFLON 2X4 L=275 MM					
32	9121.069.150	GEAR Z=108 FOR MOUNTING PLATE M4000					
33	9011.054	SPRING FOR THERMAL FUSE					

**ALL. BOILER WITH RESIST.  
TEFLON TUBE  
FROM S/N 9003SA40303634**



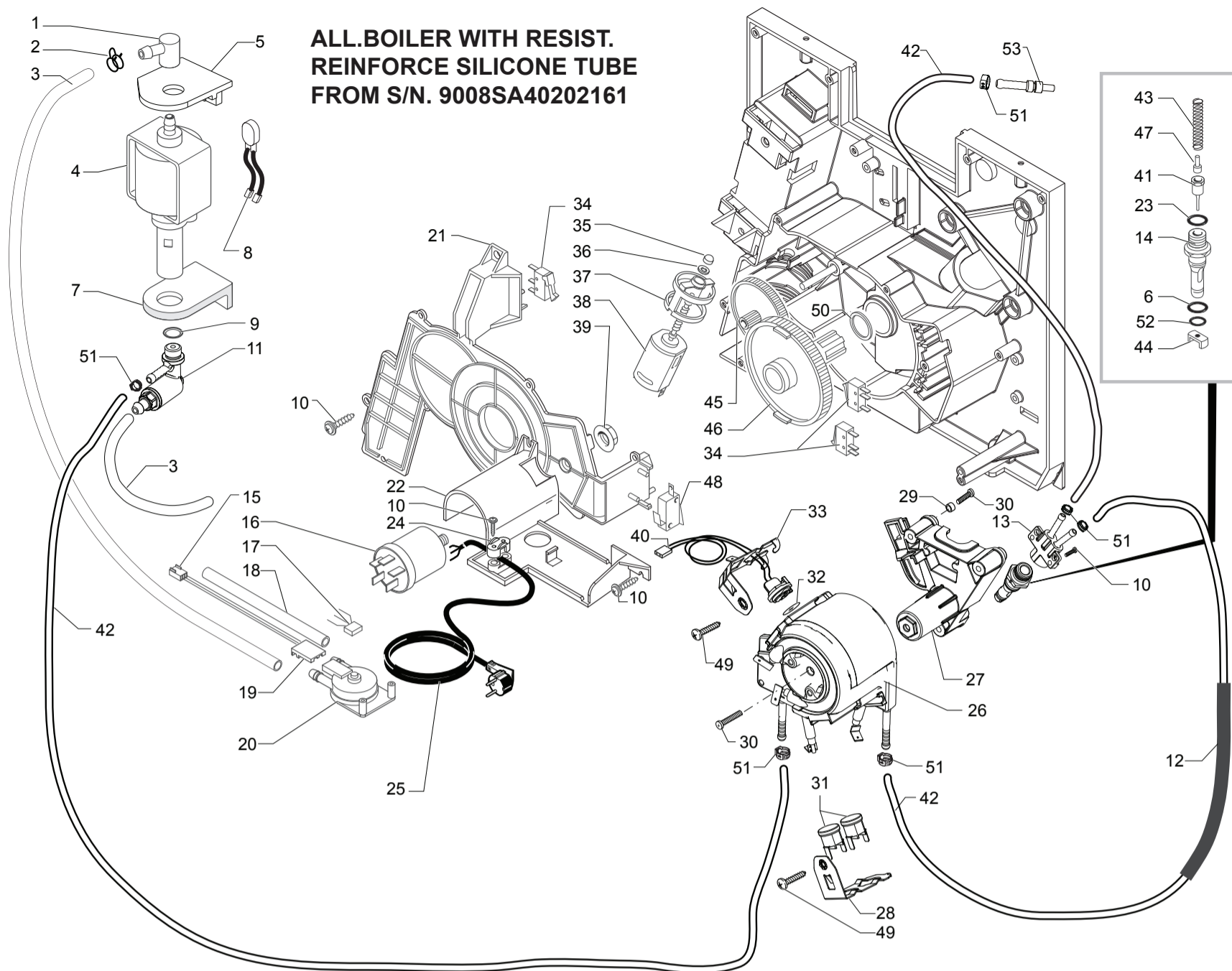
**Saeco** SUP 021 Y  
INTERNATIONAL GROUP



Cod. 740802-05-07-09-10001370

POS	CODE	DESCRIPTION	NOTE	POS	CODE	DESCRIPTION	NOTE
01	147920150	90°CONNECTOR PUMP INLET		38	11003037	MOTOR FOR RATIOMOTOR ASSY.	
02	184320200	SPRING HOSE CLAMP D=9,5MM		39	123453602	FLANGE NUT M8 TOOTHED BASE GALV.	
03	149360200	SILICONE TUBE 5X8 70SR	IN ROLL	40	288582300	SENSOR ELECT.BOARD WITH CONNECTOR ASSY.	
04	12000140	ULKA PUMP EP5/S GW	230V-50HZ	41	144650300	SUCTION FILTER GAUZE NET 500 (NEW)	J
	12000131	ULKA PUMP EP5/S	120V-60HZ	42	11005099	NATURAL CURSOR V2 FOR BOILER P119	
	12000130	ULKA PUMP EP5/S GW	100V-50/60HZ	43	129910103	HI-LO TC SCREW 3,5X15 RIF.910189	
05	149185850	EATON PUMP SUPPORT MAGIC 4002012		44	227876800	CONNECTOR TEFLON 2X4 L=235 MM ASSY.	
06	149361200	BLACK SILICONE TUBE 7,5X9,3	IN ROLL	45	9121.042	GEAR Z.12/90	
07	149205710	PUMP SUPPORT HOLE 13,2 RED		46	9121.069.150	GEAR Z=108 FOR MOUNTING PLATE M4000	
08	0311.807	YELLOW HARNESS KLIXON JP 13	230V	47	147922700	BOILER SUPPORT CONNECTOR	
	289201000	THERMAL. PROTECT 120°C CABLE.125/365	100V-120V	48	186723800	MICROSWITCH SAIA X3M502K2KAM92AS	
09	140321961	OR 2031 IN TERMOIL		49	129573202	SCREW TCB PH/TT 4X8 UNI 8112 ZNP	
10	129914002	SCREW TCB TORX 10 3,5X16 PLAST.ZN-B		50	20000204	SPARES KIT SUPPORT BOILER SMART	
11	229452100	COMPENSATION AND SAFETY VALV. 16BAR AS.			149197700	SUPPORT FOR ALLUMINIUM BOILER SMART	
12	9011.144	FORK FOR TUBE D.4			129932202	ROUND HEAD SCREW 10.9 M5X20 GALV	
13	140328059	OR 2015 IN SILICONE PTFE/FDA		52	126838217	SENSOR FIXING SPRING	
14	228950600	SPIRALITE 8X10 (P3) L=150 MM	J		147756562	PROTECTION FOR FOLK SPRING TUBE D=4	
15	283551300	3POLE CONNECT.AS.TURBINE JP18 SMART		53	282058858	ALUM.BOILER WITH RESISTANCE 1100W	230V
16	184651100	ANTIDISTURB FILTER 0,47X2+1000Y2+0,5L	230V	54	282058855	ALUM.BOILER WITH RESISTANCE 275W-	120V
	184651500	ANTIDISTURB FILTER 16A FNC 1610474472A	100V		282058854	ALUM.BOILER WITH RESISTANCE 1100W	100V
	12001353	LOCKING SCREW ANTIDISTURB FILTER 16A	SEE PART.N°20	55	227874900	CONNECTOR AS.TEFLON 2X4 L=250 MM	
17		PARTICULAR NOT AVAILABLE	IN ROLL	56	9161.132	MYLAR WASHER FOR RATIOMOTOR	
18	JS01.022	SILICONE TUBE 5X10 60 SHORE	WITH PART.N°17	57	126838017	SENSOR FIXING SPRING	
19	9161.018	BRACKET FOR TURBINE		58	U310.003	NUT SELF LOCK.M5 UNI 7473	
20	286473300	-M-VDE TURBINE WITH SENSOR KIT			145951600	ELECTRIC INSULATING DISK D=16	
21	9161.331.920	TRANSPARENT RATIOMOTOR COVER		59	189428600	THERMOSTAT 175° 1NT-08L-5125	100V-120V
22	149194800	NATURAL TURBINE SUPPORT SMART		60	189428200	THERMOSTAT 175° 1NT-08L-3794	230V
	11009371	NATURAL TURBINE SUPPORT SMART UL		61	U044.020	SCREW TSP M5,0X30 UNI 7688 GALV.	
23	123453902	SELF-LOCKI.NUT M5X0,8 DIN 980 CLA.8			129932502	SCREW TCEI 5X30 PLAST.ZN-B	
24	148600600	CABLE CLAMP V0 MAGIC ESP COMBI UL			282133658	ALUM.BOILER WITH RESISTANCE SMART 230V	COMPLETE
25	183930250	POW.CABLE CH BLACK H05+3FAST.L=1500			11000153	ALU.BOILER WITH RESISTANCE SMART V3 120V	COMPLETE
	183980450	POWER CABLE JAPPON VCTF BLACK L=1590 MM			11000022	ALU.BOILER WITH RESISTANCE SMART V3 100V	COMPLETE
	183910450	POWER CABLE SCHUKO BLACK L=1500				CON PART. POS. N° 13-26-27-28-29-30-31-32-33-40-42-43-44-47-49-50-51-52-53-54-55-57-59-60-63-64	
	183921650	POWER CABLE SJT3C USA BLACK 3F.L=1590					
	183940250	BLACK POWER CABLE AUSTR.H05+FAST.L=1500					
26	9011.132	SPRING FOR PIN					
27	11009013	TEA/BRASS PIN FOR PISTON L=10					
28	227874500	CONNECTOR AS.TEFLON 2X4 L=330 MM					
29	11009019	TEA/BRASS PISTON L=20,9 ASSY.					
30	140320459	OR METRICO 0080-20 SILICON.PTFE/FDA					
31	9011.100	PEG FOR VALVE IN PLASTIC					
32	NM01.035	OR ORM 0090-20 SILICONE					
33	NM01.057	OR ORM 0050-20 SILICONE					
34	NE05.038	MICROSWITCH					
35	9121.046	SINTERED BUSH FOR MOTOR					
36	148380200	WASHER BAKELIZZATE D=5,5					
37	9121.044	ANTIVIBRATION FOR MOTOR					





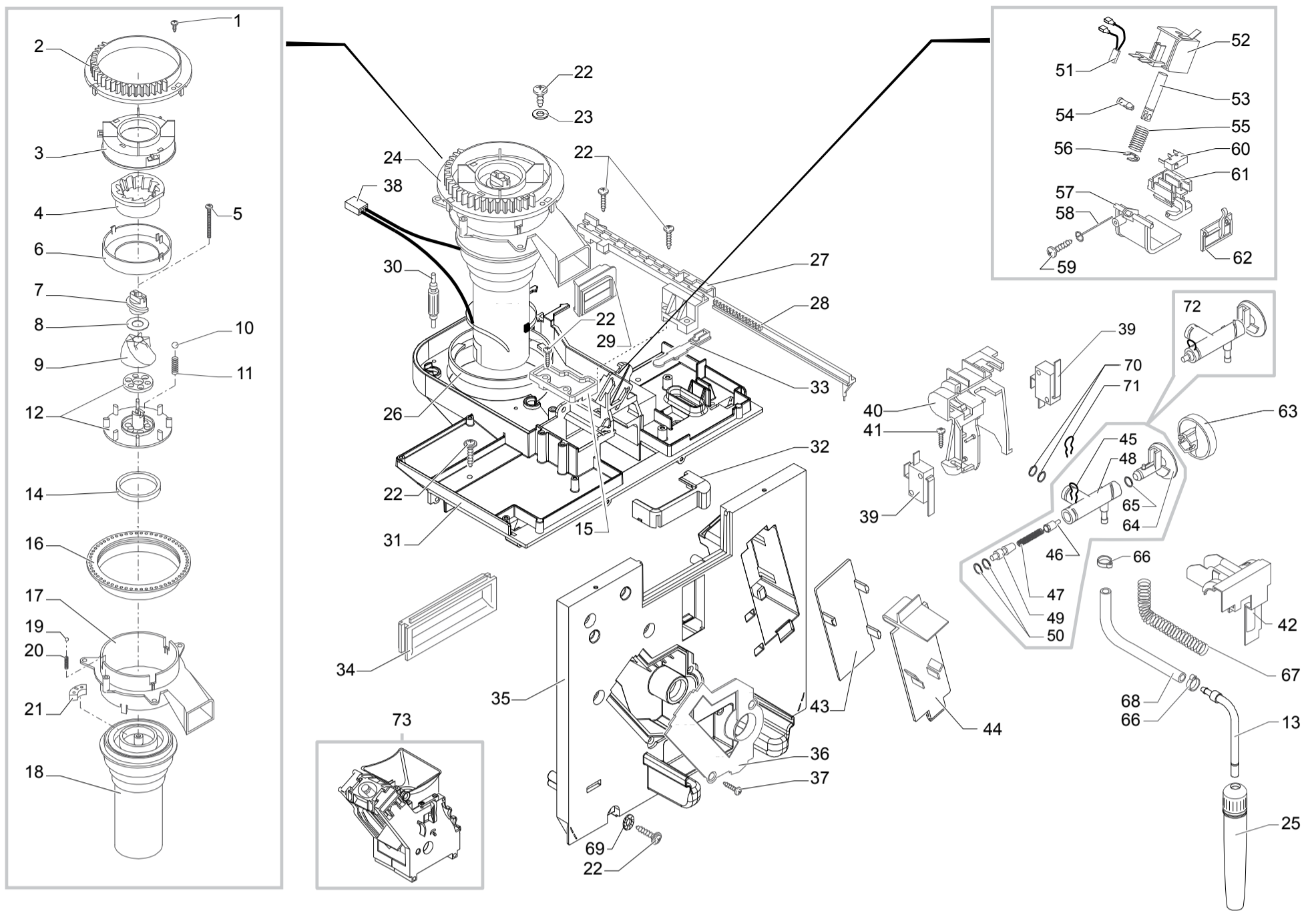
**ALL. BOILER WITH RESIST.  
REINFORCE SILICONE TUBE  
FROM S/N. 9008SA40202161**

**Saeco** SUP 021 Y  
INTERNATIONAL GROUP



**Cod. 740802-05-07-09-10001370**

POS	CODE	DESCRIPTION	NOTE	POS	CODE	DESCRIPTION	NOTE
01	147920150	90° INLET CONNECTOR PUMP		38	11003037	MOTOR FOR RATIOMOTOR ASSY.	
02	184320200	SPRING HOSE CLAMP D=9,5MM		39	123453602	FLANGE NUT M8 TOOTHED BASE GALV.	
03	149360200	SILICONE TUBE 5X8 70SR	IN ROLL	40	288582300	SENSOR ELECTBOARD WITH CONNECTOR ASSY.	
04	12000140	ULKA PUMP EP5/S GW	230V-50HZ	41	11005099	NATURAL CURSOR V2 FOR BOILER P119	
	12000167	ULKA PUMP EP5/S GW	240V-50HZ	42	16000380	5X8,9 SILICONE TUBE	IN ROLL
05	149205710	PUMP SUPPORT HOLE 13,2 RED		43	9011.132	SPRING FOR PIN	
06	NM01.035	OR ORM 0090-20 SILICONE		44	9011.099	M CURSOR FOR BOILER VALVE IN PLASTIC	
07	149185850	EATON PUMP SUPPORT MAGIC 4002012		45	9121.042	GEAR Z=12/90	
08	0311.807	YELLOW HARNESS KLIXON JP 13	230V	46	9121.069.150	GEAR Z=108 FOR MOUNTING PLATE M4000	
09	140321961	OR 2031 IN TERMOIL		47	11009013	TEA/BRASS PIN FOR PISTON L=10	
10	129914002	SCREW TCB TORX 10 3,5X16 PLAST.ZN-B		48	186723800	MICROSWITCH SAIA X3M502K2KAM92AS	
11	11004689	TEA/BRASS SAFETY VALVE 16-18 BAR ASSY.		49	129573202	SCREW TCB TORX 20 M4X8 AUTOFORMING ZN-B	
12	11010624	TRANSP.SILICONE TUBE 10,5X12,3 L=200 MM		50	9161.132	MYLAR WASHER FOR RATIOMOTOR	
13	11002606	BOILER SUPPORT CONNECTOR		51	12000892	OETIKER CLAMP D=9,5 16700004	
14	9011.100	PEG FOR VALVE IN PLASTIC		52	NM01.057	OR ORM 0050-20 SILICONE	
15	283551300	3POLE CONNECT.AS.TURBINE JP18 SMART		53	11000750	TEA/BRASS CONNECTOR FOR SILICONE TUBE	
16	184651100	ANTIDISTURB FILTER 0,47X2+1000Y2+0,5L					
17		<b>PARTICULAR NOT AVAILABLE</b>	SEE PART.N°20				
18	JS01.022	SILICONE TUBE 5X10 60 SHORE	IN ROLL		11010086	ALU.BOILER WITH RESISTANCE SMART V2 230V	COMPLETE
19	9161.018	BRACKET FOR TURBINE					
20	286473300	-M-VDE TURBINE WITH SENSOR KIT	WITH PART.N°17				
21	9161.331.920	TRANSPARENT RATIOMOTOR COVER					
22	149194800	NATURAL TURBINE SUPPORT SMART					
23	140320459	OR ORM 0080-20 IN SILICONE PTFE/FDA					
24	148600600	CABLE CLAMP V0 MAGIC ESP COMBI UL					
25	183910450	POWER CABLE SCHUKO BLACK L=1500					
	183940250	BLACK POWER CABLE AUSTR.H05+FAST.L=1500					
	11001845	BLACK POW.CABLE KOREA H05VV-F 3X1 L=1600					
	183930250	POW.CABLE CH BLACK H05+3FAST.L=1500					
26	11004667	ALUM.BOILER WITH RESISTANCE	230V-1100W				
27	11004209	SUPPORT FOR ALLUMINIUM BOILER SMART					
28	126838117	2 THERMOSTATS FIXING SPRING					
29	9161.206	INSULATING SPACER FOR BOILER					
30	129932502	SCREW TCEI 5X30 PLAST.ZN-B					
31	189428600	THERMOSTAT 175° 1NT-08L-5125					
32	145951600	ELECTRIC INSULATING DISK D=16					
33	126838217	SENSOR FIXING SPRING					
34	NE05.038	MICROSWITCH					
35	9121.046	SINTERED BUSH FOR MOTOR					
36	148380200	WASHER BAKELIZZATE D=5,5					
37	9121.044	ANTIVIBRATION FOR MOTOR					



**Saeco** SUP 021 Y  
INTERNATIONAL GROUP



Cod. 740802-05-07-09-10001370

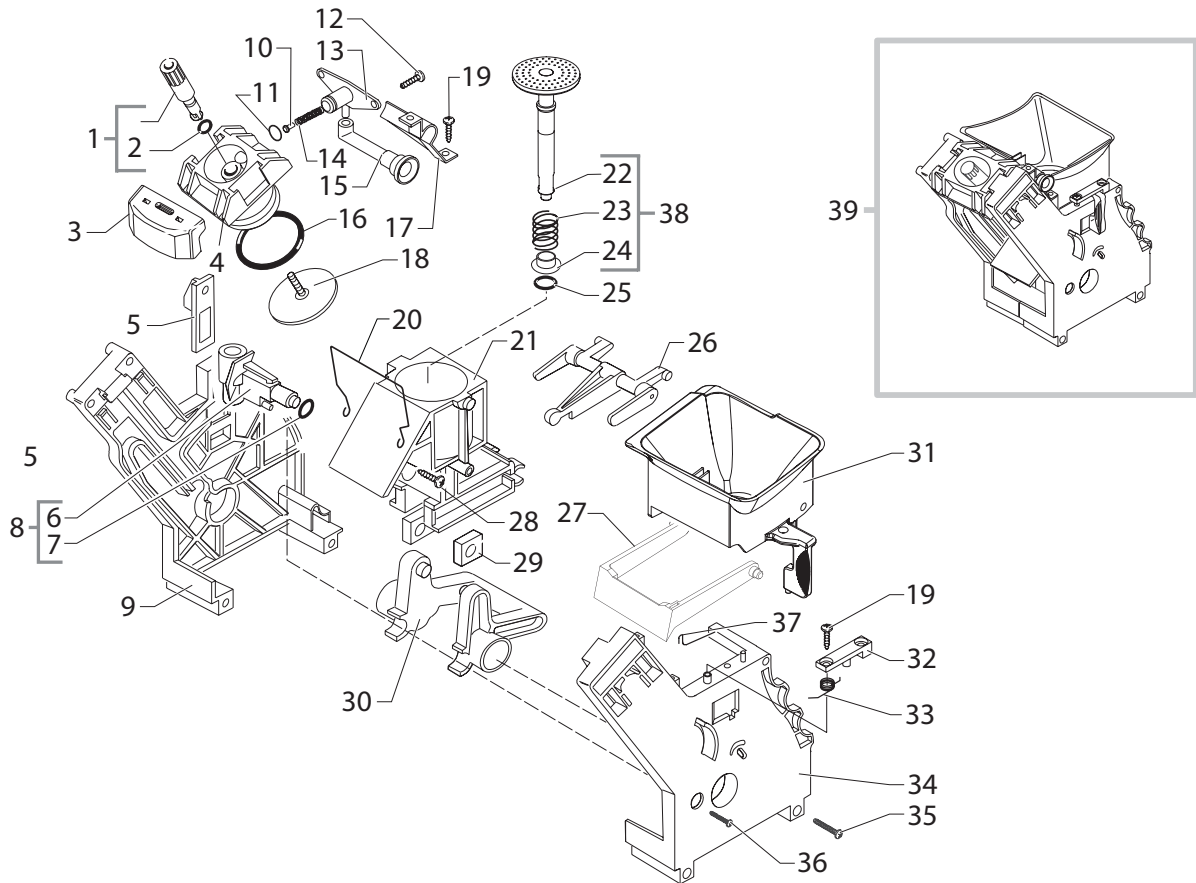
POS	CODE	DESCRIPTION	NOTE	POS	CODE	DESCRIPTION	NOTE
01	129912902	SCREW TCB TORX 10 2,9X6,5 SHEET ZN-B		39	186724200	MICROSWITCH SAIA X3M502K2KAJ32AV	
02	148650250	SECTOR GEARGR. ADJUSTMENT KNOB COMBI		40	11005343	BLACK FAUCET SUPPORT V2 SMART	
03	149186150	BLACK UPPER GRINDER SUPPORT MAGIC		41	12000450	SCREW TCBR TORX 10 3,5X12 PLAST.ZN-N	
04		PART.NOT AVAILABLE	SEE PART.N°09	42	147756400	PROTECTION FAUCET BODY WATER/STEAM	
05	129931002	TORX SCREW T10 TCB 3,5X40 SX ZNG		43	9161.345.050	BLACK INTERNAL COVERING PUMP SPACE	
06	142844550	UPPER GRINDER COVER COFF.GRIND. MAGIC		44	9161.332.050	BLACK EXTERNAL COVERING PUMP SPACE	
07	147470763	INCREASE SCREW PIN COFF.GRINDER MAGIC		45		<b>PARTICULAR NOT AVAILABLE</b>	SEE PART.N°72
08	U201.002	PLAIN WASHER 10X16X0,2DIN 988 GAL		46		<b>PARTICULAR NOT AVAILABLE</b>	SEE PART.N°72
09	226473500	KIT TECNA GRINDERS	WITH PART.N°4	47		<b>PARTICULAR NOT AVAILABLE</b>	SEE PART.N°72
	226477700	KIT ITAL MILL GRINDERS	WITH PART.N°4	48		<b>PARTICULAR NOT AVAILABLE</b>	SEE PART.N°72
10	128610521	STAINLESS STEEL AISI 304 SPHERE D=5,5MM		49		<b>PARTICULAR NOT AVAILABLE</b>	SEE PART.N°72
11	126765517	STEEL SPRING SPHERE D=5,5 MOTOR MAGIC		50		<b>PARTICULAR NOT AVAILABLE</b>	SEE PART.N°72
12	149188750	CONICAL GRIND. SUPP. + RING MAGIC		51	289202200	THERMAL.PROTECTOR 100°C	
13	11001595	ST.STEEL STEAM TUBE AS.SMART		52	283770658	ELECTROMAGN.SMART ASSY.	230V
14	140360200	FELT RING 40X34X5			283770755	V2 COFFEE DOSER COIL ASS.	100V-120V
15	145895400	INSERT FOR DOSER SMART		53	9161.041	DOSER ELECTROMAGNET CORE	
16	146570950	RING NUT FOR GRINDING ADJUSTMENT MAGIC		54	9161.076.150	DOSER DOOR PIN GREY	
17	149194200	GRINDER MOTOR SUPPORT SMART		55	126764818	SPRING ELECTROM.BEAN DOSER MAGIC	
18	9141.075.00A	MOTOR MC MIELE WERKS NORME 230V		56	U701.003	SNAP RING 7 UNI 7434	
	9141.075.00F	MOTOR MC MIELE WERKS NORME 120V		57	9161.074.150	DOSER DOOR GREY	
	9141.075.00R	MOTOR MC MIELE WERKS NORME 100V		58	9161.048	SCRAPER ROD	
19	128610421	STAIL.STELL AISI 304 SPHERE D=3,2MM		59	129913902	SCREW TCB TORX 10 3X12 PLAST.ZN-B	
20	126770117	NEW SPRING SPHERE D=3,2 MOTOR MAGIG		60	NE05.017	MICROSWITCH	
21	140230400	SHOCK ABS .CONICAL GRINDER SUPP.MAGIC		61	149185959	BEAN DOSER MICRO SUPORT MAGIC	
22	129914002	SCREW TCB TORX 10 3,5X16 PLAST.ZN-B		62	148700559	COFFEE DOSER DOSE ADJ. SEL. GR MAG	
23	U207.004	PLAIN WASHER 4,3X16 UNI 6592 GAL		63	227700541	STEAM KNOB SMART SILVER	
24	286883958	GENERAL MOTOR ASSY.SMART	230V		227700550	STEAM KNOB SMART BLACK	
	20000323	GENERAL MOTOR AS.G100 SMART	120V	64		<b>PARTICULAR NOT AVAILABLE</b>	SEE PART.N°72
	20000324	GENERAL MOTOR AS.G100 SMART	100V	65		<b>PARTICULAR NOT AVAILABLE</b>	SEE PART.N°72
25	227431250	BLACK/BLACK PANNARELLO PLASTIC ASSY.		66	NF11.052	OETIKER CLIP	
26	9141.052	COFFEEGRINDER REINFORCING RING		67	126772018	SPRING DI=7,5 FOR FABRIC FINISH TUB	
27	147572150	PLATE FIXING TOOTHED SLIDE SMART		68	JS01.019	BRAIDED SILICON TUBE 3X7	IN ROLL
28	148740550	TOOTHED SLIDE FOR DOSE ADJUST SMART		69	128310402	GALV.WASHER UNI 8842 A4	
29	145851862	GROUND COFFEE OUTLET SEAL SMART		70	140328059	OR 2015 IN SILICONE PTFE/FDA	
30	9991.103	ANTIVIBRATION FOR COFFEEGRINDER		71	9011.144	SS FORK FOR TUBE D=4	
31	147531500	BLACK GRINDER SUPPORT PLATE P107		72	20007014	KIT AS.RUB.VAP.SMART	COMPLETE
	147531518	BLACK GRINDER SUPPORT PLATE P107 JQA		73	11004183	BLACK BREW UNIT NEW P107	
32	145852560	GROUND COFFEE CONT.SEAL LOWER SMART	J			<b>SEE EXP.CODE E90052 NEXT PAGE</b>	
33	9161.122.150	DOSE ADJUSTMENT LEVER GREY CLASSIC				<b>NOTE:FOR SINGLE PARTS OF OLD GREY BREW UNIT:SEE EXP.CODE E90029 LAST PAGE</b>	
34	145895350	BLACK INSERT FOR MOUNT.PLATE SMART					
35	227533000	BOILER SUPPORT PLATE SMART ASSY.					
36	9161.333.050	BLACK BOILER COVER SMART					
37	129535721	SCREW TSP3,5X9,5 DIN 7982 SS					
38	283544900	2POLES CONN.AS.COF.GRIN.JP1 33MH CA	230V				
	283544955	2POLES CONN.AS.COF.GRIN.JP1 33MH CA	100V-120V				

**Saeco**  
INTERNATIONAL GROUP

INCANTO

TABLE 5/5





**Saeco** SUP 021  
INTERNATIONAL GROUP



Cod. 11004183

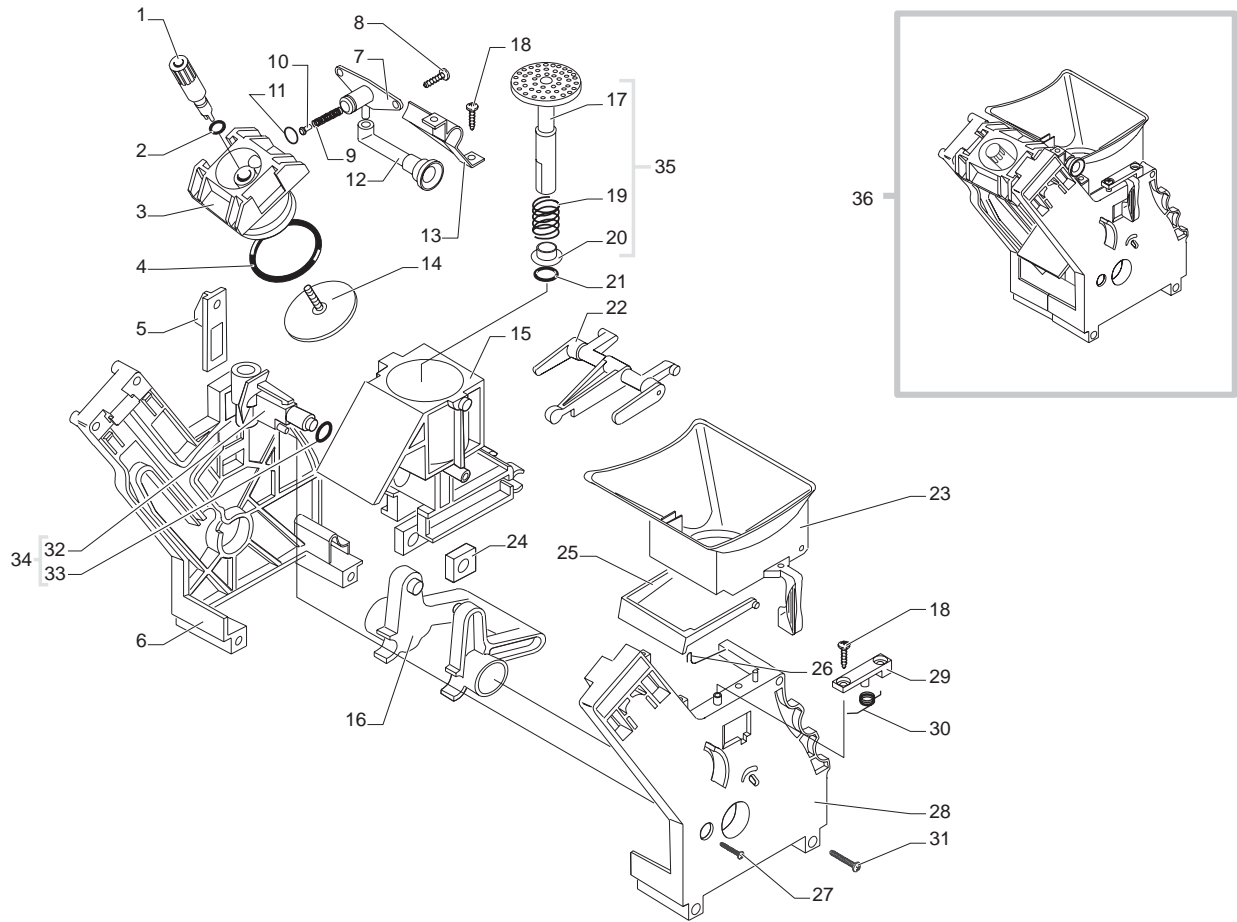
POS	CODICE	DESCRIZIONE	NOTE	POS	CODICE	DESCRIZIONE	NOTE
01	227470150	AS.PERNO X DOCCIA COMPLETO NERO		01	227470150	PIN BLACK ASS.FOR PERCOLATOR	
02	NM02.006	OR R5 TERMOIL		02	NM02.006	OR R5 TERMOIL	
03	11000197	PROTEZIONE X SCHIZZI GRUPPO CAFF. SMART		03	11000197	PROTECTION FOR BREW UNIT SMART	
04	11003428	CONTROPISTONE X GRUPPO CAF.SMART NERO		04	11003428	BLACK COUNTERPISTON FOR SMART COF.UNIT	
05	9161.373.050	PIASTRINA AGGANCIAMENTO GRUP.CAF.SMART NERO		05	9161.373.050	BLACK COUPLING PLATE BREW UNIT SMART	
06	9161.064.050	MANICOTTO ENTRATA ACQUA GRUP.CAFF.NERO		06	9161.064.050	BLACK WATER INLET SLEEVE BREW UNIT	
07	NM02.007	OR 2025 TERMOIL		07	NM02.007	OR 2025 TERMOIL	
08	20000440	GRUPPO RICAMBIO MANICOTTO NERO		08	20000440	BLACK SPARE SLEEVE UNIT	
09	9161.375.050	PIASTRA POSTERIORE GRUPPO SMART NERO		09	9161.375.050	BLACK REAR PLATE FOR BREW UNIT SMART	
10	149452700	VALVOLA CIECA X GRUPPO CAFFE' NERO		10	149452700	BLACK BLIND VALVE FOR BREW UNIT	
11	140328761	OR METRICO 0060-15 IN TERMOIL		11	140328761	OR METRIC 0060-15 IN TERMOIL	
12	129910921	VITE TCB 3X10 PLAST.INOX		12	129910921	SCREW TCB TORX 10 3X10 SS	
13	9161.377.050	TAPPO VALVOLA GRUPPO SMART NERO		13	9161.377.050	BLACK VALVE CAP FOR BREW UNIT SMART	
14	126771918	MOLLA X CONTROPISTONE GRUPPO SMART		14	126771918	SPRING FOR CONTERPISTON UNIT SMART	
15	9161.372	RACCORDO EROG.GRUPPO CAFF.SMART NERO		15	9161.372	BLACK BREWING PIPE COFFEE GROUP SMART	
16	NM01.044	OR ORM 0320-40 IN SILICONE PTFE/FDA		16	NM01.044	OR ORM 0320-40 IN SILICONE PTFE/FDA	
17	9161.371.050	FERMO RACCORDO EROG.GRUP.SMART NERO		17	9161.371.050	BLACK BREWING PIPE LOCK BREW UNIT SMART	
18	9160.075	AS.DOCCIA DE=35,8 ELFO C/VITE E DADO		18	9160.075	PERCOLATOR DE=35,8 ELFO ASSY.	
19	12000895	VITE TSP 3X10 PLAST.INOX		19	12000895	SCREW TSP TORX 10 3X10 PLAST.SS	
20	11001556	MOLLA RASATORE H=49 X GRUPPO CAF.SMART		20	11001556	SPRING H=49 FOR COFFEE BREW UNIT SMART	
21	11003075	AS.CONT.CAF.C/BOCC.SALD.GRUP.P124 8GR.NER	CON PART. N°25	21	11003075	BLACK COFFEE CONTAINER BREW UNIT P124	WITH PART. N°25
22	11003077	AS.PISTONE INTEGRALE GRUP.P124 8GR.NERO		22	11003077	BLACK INTEGRAL PISTON UNIT P124 8GR.ASS	
23	9161.198	MOLLA PISTONE GRUPPO CAFFE' M5000		23	9161.198	PISTON SPRING BREW UNIT M5000	
24	9161.191	BOCCOLA PISTONE GRUP.CAFF.M5000 NEUTRO		24	9161.191	NEUTRAL PISTON BUSH BREW UNIT M5000	
25	NM02.018	OR METRICO 0090-25 IN TERMOIL		25	NM02.018	OR ORM 0090-25 TERMOIL	
26	11003078	BIELLA X GRUPPO P124 8GR.NERO		26	11003078	BLACK CONNECTING ROD FOR UNIT P124 8GR.	
27	11004161	RASATORE X GRUPPO CAFFE' NERO		27	11004161	BLACK SCRAPER FOR COFFEE UNIT	
28	129912521	VITE TCBR 3,5X14 PLAST.INOX		28	129912521	SCREW TCBR TORX 10 3,5X14 PLAST.SS	
29	9161.094.050	BLOCCETTO FORATO GRUP.CAFFE' P/ANERO		29	9161.094.050	BLACK DRILLED BLOCK BREW UNIT	
30	9161.066.050	ALBERO A GOMITO X GRUPPO NERO		30	9161.066.050	ELBOW SHAFT FOR UNIT BLACK	
31	11003786	TRAMOGGIA GRUPPO CAFFE' V2 SMART NERO		31	11003786	BLACK HOPPER DOSER BREW UNIT V2 SMART	
32	9161.374.050	PIASTRA FISS.TRAMOGG.GRUP.CAF.SMART NERO		32	9161.374.050	BLACK HOPPER BLOCKING PLATE UNIT SMART	
33	9161.378	MOLLA TRAMOGGIA GRUPPO CAFFE' SMART		33	9161.378	SPRING HOPPER SMART BREW UNIT	
34	11005920	PIASTRA ANT.GRUPPO SMART S/F.NER.SER.NEW		34	11005920	BLACK FRONT PLATE BREW UNIT SMART S.SCR.	
35	12000897	VITE TCB 3,5X20 PLAST.INOX		35	12000897	SCREW TCB TORX 10 3,5X20 PLAST.SS	
36	12000550	VITE TCB 3X25 PLAST.INOX		36	12000550	SCREW TCB TORX 10 3X25 PLAST.SS	
37	9161.046	MOLLA X RASATORE GRUPPO		37	9161.046	SPRING FOR UNIT SCRAPER	
38	11023086	AS.GEN.PISTONE INTEGR.GRUP.CAF.8GR.NER.		38	11023086	BLK 8GR.BREW UNIT NTEGR.PISTON GEN.AS	
39	11004183	GRUPPO CAFFE' P107/NEW NERO		39	11004183	BLACK BREW UNIT NEW P107	

**Saeco**  
INTERNATIONAL GROUP

GRUPPO CAFFE' P107 NEW NERO

Rev. 03 - 23/11/09

TAVOLA 1/1



**Saeco** GRUPPO CAFFE' X C.A. SUP 021



**Cod. 9160.070.150**  
**Cod. 9160.074.150**

POS	CODICE	DESCRIZIONE	NOTE	POS	CODE	DESCRIPTION	NOTE
01	227470159	AS.PERNO X DOCCIA COMPLETO GRIGIO	①	01	227470159	PIN GREY ASS.FOR PERCOLATOR	①
02	227470150	AS.PERNO X DOCCIA COMPLETO NERO	ALTRI PAESI	02	227470150	PIN BLACK ASS.FOR PERCOLATOR	① OTHER COUNTRY
03	NM02.006	OR R5 TERMOIL		03	NM02.006	OR R5 TERMOIL	
04	9161.369.150	CONTROPISTONE X GRUPPO CAFF.SMART GRIG		04	9161.369.150	GREY COUNTERPISTON FOR SMART COFFEE UNIT	
05	NM01.044	OR ORM 0320-40 SILICONE PTFE/FDA		05	NM01.044	OR ORM 0320-40 SILICONE PTFE/FDA	
06	9161.373.150	PIASTRINA AGGANCIO GRUPPO SMART GRI		06	9161.373.150	COUPLING PLATE BREW UNIT SMART	
07	9161.375.150	PIASTRA POSTERIORE GRUPPO SMART GRIGIO		07	9161.375.150	GREY REAR PLATE FOR BREW UNIT SMART	
08	9161.377.150	TAPPO VALVOLA GRUPPO SMART GRIGIO		08	9161.377.150	VALVE CAP FOR BREW UNIT SMART	
09	129910921	VITE HI-LO TC 3X10 INOX		09	129910921	HI-LO TC SCREW 3X10 STEEL	
10	126771918	MOLLA X CONTROPISTONE GRUPPO SMART		10	126771918	SPRING FOR CONTERPISTON UNIT SMART	
11	149452700	VALVOLA CIECA X GRUPPO CAFFE'		11	149452700	BLIND VALVE FOR UNIT	
12	140328761	OR METRICO 0060-15 IN TERMOIL		12	140328761	OR METRIC 0060-15 IN TERMOIL	
13	9161.372	RACCORDO EROGAZ GRUPPO CAF.SMART NERO		13	9161.372	BLACK BREWING PIPE COFFEE GROUP SMART	
14	9161.371.150	FERMO RACCORDO EROG.GRUP.SMART GRIG		14	9161.371.150	BREWING PIPE LOCK BREW UNIT SMART	
15	223740300	AS.DOCCIA DE=35,8 CVITE E DADO	①	15	223740300	PERCOLATOR DE=35,8 ASSY.	① OTHER COUNTRY
16	11009162	DOCCIA D=35,8 276FORI CVITE M3x20 LUCID	ALTRI PAESI	16	11009162	SHINE PERCOL.D=35,8 276HOL.W/SCREW M3x20	① OTHER COUNTRY
17	9161.195.150	CONTENITORE COMPL.X GRUPPO GRIGIO	①	17	9161.195.150	COMPLETE CONTAINER FOR UNIT GREY	① OTHER COUNTRY
18	322003859	ALBERO A GOMITO GRIG.X GRUPPO MAGIC	ALTRI PAESI	18	322003859	ELBOW SHAFT GREY FOR MAGIC UNIT	① OTHER COUNTRY
19	9161.066.150	ALBERO A GOMITO X GRUPPO GRIGIO	ALTRI PAESI	19	9161.066.150	ELBOW SHAFT FOR UNIT GREY	① OTHER COUNTRY
20	9161.306.150	ASS.PISTONE INTEGRALE GRIGIO		20	9161.306.150	INTEGRAL PISTON ASS.GREY	
21	U109.028	VITE AUT.TCB 2,9X9,5 DIN 7981 C INOX		21	U109.028	SCREW AUT.TCB 2,9X9,5 DIN 7981 C	
22	9161.198	MOLLA X PISTONE		22	9161.198	SPRING FOR PISTON	
23	9161.191	BOCCOLA X PISTONE NEUTRO		23	9161.191	BUSH FOR PISTON NEUTRAL	
24	NM02.018	OR METRICO 0090-25 IN TERMOIL		24	NM02.018	OR ORM 0090-25 TERMOIL	
25	9161.065.150	BIELLA X GRUPPO GRIGIO		25	9161.065.150	CONNECTING ROD FOR UNIT GREY	
26	149261159	TRAMOGGIA X GRUPPO CAFFE' SMART/V2 GRIGIA		26	149261159	GREY HOPPER DOSER BREW UNIT SMART/V2	
27	9161.094.050	BLOCCETTO FORATO X GRUPPO NERO		27	9161.094.050	DRILLED BLACK BLOCK FOR UNIT	
28	322004059	RASATORE GRIGIO X GRUPPO MAGIC	①	28	322004059	SCRAPER FOR MAGIC BREW UNIT	① OTHER COUNTRY
29	9161.060.150	RASATORE X GRUPPO CAFFE' GRIGIO	ALTRI PAESI	29	9161.060.150	GREY SCRAPER FOR COFFEE UNIT	① OTHER COUNTRY
30	126834518	MOLLA X RASCHIATORE GRUPPO MAGIC	①	30	126834518	SPRING FOR SCRAPER UNIT MAGIC	① OTHER COUNTRY
31	9161.046	MOLLA X RASATORE GRUPPO	ALTRI PAESI	31	9161.046	SPRING FOR UNIT SCRAPER	① OTHER COUNTRY
32	U109.027	VITE AUT.TCB 2,9X19 DIN 7981 C INOX		32	U109.027	SS.SCREW AUT.TCB 2,9X19 DIN 7981 C	
33	9161.376.150	PIASTRA ANT.GRUPPO SMART S/FORO GRIGIA		33	9161.376.150	GREY FRONT PLATE FOR BREW UNIT SMART	
34	9161.374.150	PIASTRA FISSAG.TRAMOG.GRUPPO SMART GRIG		34	9161.374.150	GREY HOPPER BLOCKING PLATE UNIT SMART	
35	9161.378	MOLLA TRAMOGGIA GRUPPO SMART		35	9161.378	SPRING HOPPER SMART GROUP	
36	U109.026	VITE AUT.TCB 3,5X19 DIN 7981 C INOX		36	U109.026	SS.SCREW AUT.TCB 3,5X19 DIN 7981 C	
37	322003659	MANICOT.GRI.ENTRATA.CQUA GRUP.MAGIC	①	37	322003659	WATER INLET SLEEVE GREY MAGIC UNIT	① OTHER COUNTRY
38	9161.064.150	MANICOTTO ENTRATA.CQUA GRIGIO	ALTRI PAESI	38	9161.064.150	WATER INLET SLEEVE GREY	① OTHER COUNTRY
39	NM02.007	OR 2025 TERMOIL		39	NM02.007	OR 2025 TERMOIL	
40	0301.R04.150	GRUPPO RICAMBIO MANICOTTO GRIGIO		40	0301.R04.150	SPARE SLEEVE UNIT GREY	
41	9161.343.150	ASS.PISTONE INTEGRALE		41	9161.343.150	INTERGRAL PISTON ASS.	
42	9160.070.150	GRUPPO CAFFE' SMART S/FORO GRIGIO	①	42	9160.070.150	GREY BREW UNIT SMART	① OTHER COUNTRY
43	9160.074.150	GRUPPO CAFFE' SMART/ELFO S/FORO GRIGIO	ALTRI PAESI	43	9160.074.150	GREY BREW UNIT SMART/ELFO	① OTHER COUNTRY