

**Saeco** SUP 021 Y  
INTERNATIONAL GROUP

Cod. 740802-05-07-09-10001370

POS	CODE	DESCRIPTION	NOTE
01	222762841	WATER CONTAINER LID SMART SILVER	
02	146580950	BLACK KNOB WATER CONTAINER LID SMART	
03	224640200	EXTERNAL FILTER FOR WATER CONTAINER ASSY	WITH PART.N°06
04	149214359	BLACK CAP FOR FLOATING SPACE LAV.	
05	9161.112.150	LEVEL FLOAT GREY	
06	140328461	EPDM OR METRIC 0190-10	
07	140324362	OR METRIC 0060-30	
08	126764718	SPRING FOR WATER CONTAINER VALVE	
09	147660562	GREY WATER VALVE CONTAINER PISTON	
10	226476300	KIT WATER CONTAINER SMART NATURAL/GREY	
	226481780	KIT WATER CONTAINER SMART TRANSP/GREY	
11	129912902	SCREW TCB TORX 10 2,9X6,5 SHEET ZN-B	WITHOUT PAR.N°3,6
12	149194650	SUPP.WATER CONTAIN.W/O LAMP HOUSING	
	149194618	SUPP.WATER CONTAIN. W/O LAMP HOUSING	
13	283551900	2 POLE LEVEL SENSOR AS.SMART	230V
	283551955	2 POLE LEVEL SENSOR AS.SMART	100V-120V
14	129532521	SCREW TSP2,9X9,5 DIN 7982 SS	
15		PARTICULAR NOT AVAILABLE	SEE PART.N°54
16	175897200	UPPER TECHMATE INSERT FOR BOX SMART	
17	130003000	LOWER TECHMATE INSERT FOR BOX SMART	
18	147623150	SQUARE ADHESIVE FOOT 5023 BLACK	
19	225920241	HANGRIP SX SMART SILVER	
20	11005044	SAECO KLUBER TRIBOSTAR SIL 2 TUBE 5GR.	
21	178506900	FLEXOGRAP.BOX SCOL.SAECO INCANTO DIG.	
22	9991.096	SQUARE ADHESIVE FOOT 8X15X3,2	
23	220380259	ROTATING RING SMART WITH 3 FEET	
24	222762641	BEAN COFF.CONTAIN.LID SMART SILVER	
25	142813879	TRAN./BLU LID SAFE IY AROM.CAF.CON.SMART	
26	227721359	GREY COFF. DOSE ADJUST.KNOB S/S.SMART	
27	129913902	SCREW TCB TORX 10 3X12 PLAST.ZN-B	
28	227721459	GRIND.ADJJUSTM.GREY KNOB SMART S/SCR	
29	0701.031.150	SEAL COVER GREY	
30	145842900	WATER CONTAIN.VALVE SEAL GACO DIM14	
31	0701.014.150	SEAL CONTAINER GREY	
32	NE03.028	SWITCH B1031C1181000W	
33	140320461	OR ORM 0080.20 IN TERMOIL	
34	128310321	WASHER UNI 8842 A3 SS INOX	
35	146000850	GEAR COFF. GRIND. ADJUSTMENT COMBI	
36	149202550	BLACK SWITCH GENERAL SUPPORT SMART	
37	145852360	BEAN COFFEE CONTAINER SEAL SMART	
38	146001950	COFFEE DOSE ADJ.GEAR BLACK SMART	

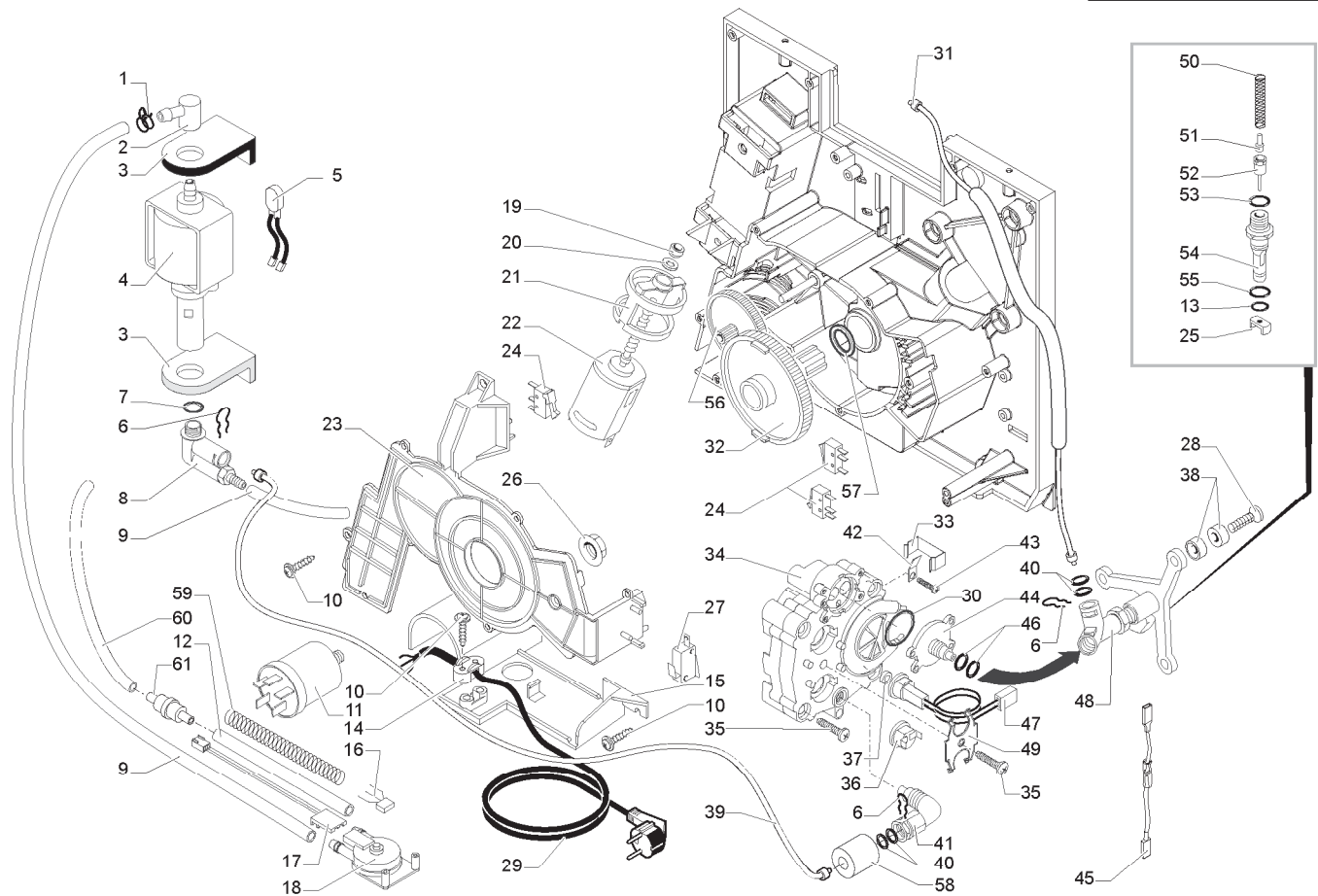
POS	CODE	DESCRIPTION	NOTE
39	147755800	INTERN.CASING PROTECTION POWER CABLE	
40		PARTICULAR NOT AVAILABLE	SEE PART.N°54
41		PARTICULAR NOT AVAILABLE	SEE PART.N°54
42	222630150	DOOR HINGE SMART BLACK	UP TO S/N 9003SA40323614
	226481450	DOOR HINGE KIT SMART BLACK	
	222630550	DOOR HINGE SMART BLACK	FROM S/N 9005SA40022837
	222630141	DOOR HINGE SMART SILVER	UP TO S/N 9003SA40323614
	226481441	DOOR HINGE KIT SMART SILVER	
	222630541	DOOR HINGE SMART SILVER	FROM S/N 9005SA40022837
43	129740202	SCREW TSP PH/TT 4X10 UNI 8113 ZNP	WITH HINGE V1
	129511903	SCREW TCB 2,9X6,4 DIN 7981 BZ NICK	WITH HINGE V3
44	225920141	HANGRIP DX SMART SILVER	
45	222482450	BLACK CASING WITH KNOB SMART ASSY.	UP TO S/N 9003SA40323614
	222360450	BLACK CASING SMART	FROM S/N 9003SA40323615
	222482441	SILVER CASING WITH KNOB SMART ASSY.	UP TO S/N 9003SA40323614
	11001021	MATT SILVER CASING SMART	FROM S/N 9003SA40323615
	222482491	AMARANTH CASING WITH KNOB SMART ASSY.	UP TO S/N 9003SA40323614
	222360491	AMARANTH CASING SMART	FROM S/N 9003SA40323615
46	11005555	BLACK DUMP BOX SMART SILK/SCREEN	
47	229630850	BLACK DRIP TRAY SMART	
	229630891	AMARANTH DRIP TRAY SMART	
48	181550758	TERMINAL BOARD FOR CA SMART 230V	WITH ALL.BOILER CASING
	181553158	TERMINAL BOARD SMART SUP021Y 230V	WITH AL.BO.WITH RESIST.
	11013632	CPU+SW ASSEMBLY INCANTO BASE V1 230V (REINFORCE SILICONE TUBE)	WITH AL.BO.WITH RESIST.
	181550755	TERMINAL BOARD FOR CA SMART 120V	WITH ALL.BOILER CASING
	181553155	TERMINAL BOARD SMART SUP021Y 120V	WITH AL.BO.WITH RESIST.
49	129913202	SCREW TCB TORX 10 3X8 PLAST.ZN-B	
50	222762741	GROUND COFF.CONTEN.LID SMART SILVER	
51	201561300	TOUCH PANEL ELECTRON.BOARD AS.SMART	
52	149194450	BLACK SUPPORT ELECTRONIC CARD SMART	
52	149194418	BLACK SUPPORT ELECTRONIC CARD SMART	
53	129533202	SCREW TSPTORX T10 3,5X9,5 D7982 NI	
54	148601650	1 GROMMET FOR POWER CABLE SMART	
55	224884441	FRONT PANEL SILVER SMART S/S.INCANT	
56	179990300	BAND FOR LIFTING L=1550 H=300 MM	
57	12000895	SCREW TSP TORX 10 3X10 PLAST.SS	

**Saeco**  
INTERNATIONAL GROUP

INCANTO

Rev. 10 - 01/12/09

TABLE 1a/5



**Saeco** SUP 021 Y  
INTERNATIONAL GROUP

ALLUMINIUM BOILER  
UP TO S/N 9003SA40303633

Cod. 740802-05-07-09-10001370

POS	CODE	DESCRIPTION	NOTE	POS	CODE	DESCRIPTION	NOTE
01	184320200	SPRING HOSE CLAMP D=9.5MM		34	9019.A61.00A	BOILER CASINGS ASS. PROFESS.	230V
02	147920150	90°CONNECTOR PUMP INLET		9019.A61.00F	BOILER CASINGS ASS. PROFESS.	120V	
03	149185850	EATON PUMP SUPPORT MAGIC 4002012		9019.A61.00R	BOILER CASINGS ASS. PROFESS.	100V	
04	12000140	ULKA PUMP EP5/S GW	230V-50HZ	129828502	TCB SCREW M6X30 UNI 7687 ZNP		
	12000131	ULKA PUMP EP5/S	120V-60HZ	NE09.006	THERMOSTAT 170°NC FAST. 90°+WASHER		
	12000130	ULKA PUMP EP5/S GW	100V-50/60HZ	123591222	ALUM.SPACER NEW FOR SENSOR MAGIC		
05	0311.807	YELLOW HARNESS KLIXON JP 13	230V	9161.206	INSULATING SPACER FOR BOILER		
	289202600	THERMAL PROTECTOR 120°C	120V	227874300	TEFLON TUBE 2X4 L=135 MM ASSY		
06	9011.144	FORK FOR TUBE D.4			<b>UP TO S/N 20014171920</b>		
07	140321961	OR 2031 IN TERMOIL		227872400	TEFLON TUBE 2X4 L=115 MM ASSY		
08	229451900	ASSY SAFETY VALVE TO 90° SMART			<b>FROM S/N 20014171921</b>		
09	149360200	SILICONE TUBE 5X8 70SR	IN ROLL	40	NM02.028	OR 2015 EPDM FDA	
10	129670202	TCB PANELVIT SCREW 3,5X16 TESTA D=8 ZNP		41	9991.150	BRASS CONNECTOR 1/8" CONICAL AT 90°	
11	184651100	ANTIDISTURB FILTER 0,47X2+1000Y2+0,5L	230V	42	NE15.026	MALE TONGUE 45° 6,3 D.5.2	
	184651500	ANTIDISTURB FILTER 16A FNC 1610474472A	120V	43	U046.003	SCREW TCBC M4,0X12 INDENT. WASH.8	
12	JS01.022	SILICONE TUBE 5X10 60 SHORE	IN ROLL	44	229182920	BRASS SUPPORT BOIL.W/O.VALVE M4000	
13	NM01.057	OR ORM 0050-20 SILICONE		45	183441362	CABLE 1WIRE SILIC.BLUE TH/FUSE 192°	
14	148600600	CABLE CLAMP V0 MAGIC ESP COMBI UL		45	183441862	CABLE 1WIRE SILIC.BLUE AWG18 TH/FUSE192°	
15	149194800	NATURAL TURBINE SUPPORT SMART		46	140321462	OR 2018 IN SILICONE	
16		PARTICULAR NOT AVAILABLE	SEE PART.N°18	46	288581358	SENSOR ASS.CA MP5000/SMART	230V
17	283551300	3POLE CONNECT.AS.TURBINE JP18 SMART		288581355	SENSOR ASS.CA MP5000/SMART	120V	
18	286473300	-M-VDE TURBINE WITH SENSOR KIT	WITH PART.N°16	48	229170600	CASING SUPP.BRASS AS.Boil.M4000/SM.	
19	9121.046	SINTERED BUSH FOR MOTOR		49	126834600	SPRING FIXING 2 THERMOSTATS MAGIC	
20	148380200	WASHER BAKELIZZATE D=5,5		50	9011.132	SPRING FOR PIN	
21	147753250	R.MOTOR ANTIVIBRAT. PROTECT. MAGIC		51	11009013	TEA/BRASS PIN FOR PISTON L=10	
22	286891058	GEN.ASS.MOTOR FOR RATIOMOTOR	230V	52	11009019	TEA/BRASS PISTON L=20,9 ASSY.	
	286891155	GENER.MOT.FOR RATIOMOTOR SMART UL AS.	120V	53	140320459	OR METRICO 0080-20 SILICON.PTFE/FDA	
23	9161.331.920	TRANSPARENT RATIOMOTOR COVER		54	9011.100	PEG FOR VALVE IN PLASTIC	
24	NE05.038	MICROSWITCH		55	NM01.035	OR ORM 0090-20 SILICONE	
25	145893000	CURSOR INSERT BOIL.VALVE NEW MAGIC		56	9121.042	GEAR Z.12/90	
26	123453602	FLANGE NUT M8 TOOTHED BASE GALV.		57	9161.132	MYLAR WASHER FOR RATIOMOTOR	
27	186723800	MICROSWITCH SAIA X3M502K2KAM92AS		58	147756562	PROTECTION FOR FOLK SPRING TUBE D=4	
28	U044.017	SCREW TSPC M5,0X20 UNI 7688 GALV.		59	228950600	SPIRALITE 8X10 (P3) L=150 MM	J
29	183910450	POWER CABLE SCHUKO BLACK L=1500		60	JS01.022	SILICONE TUBE 5X10 60 SHORE IN ROLL	J
	183921650	POWER CABLE SJT3C USA BLACK 3F.L=1590	BR	61	144650300	SUCTION FILTER GAUZE NET 500 (NEW)	J
	183940250	BLACK POW. CABLE AUSTR.H05+FAST.L=1500					
	183980450	POWER CABLE JAPPON VCTF BLACK L=1590		282130958	ALUM.GEN.Boil.As.230V M4000SMART/2R	COMPLETE	
30	140324562	OR 2106 IN SILICONE		282130955	ALUM.GEN.Boil.As.120V M4000SMART/2R	COMPLETE	
31	227874100	CONNECTOR AS.TEFLON 2X4 L=275 MM		282130954	ALUM.GEN.Boil.As.100V M4000SMART/2R	COMPLETE	
32	9121.069.150	GEAR Z=108 FOR MOUNTING PLATE M4000					
33	9011.054	SPRING FOR THERMAL FUSE					