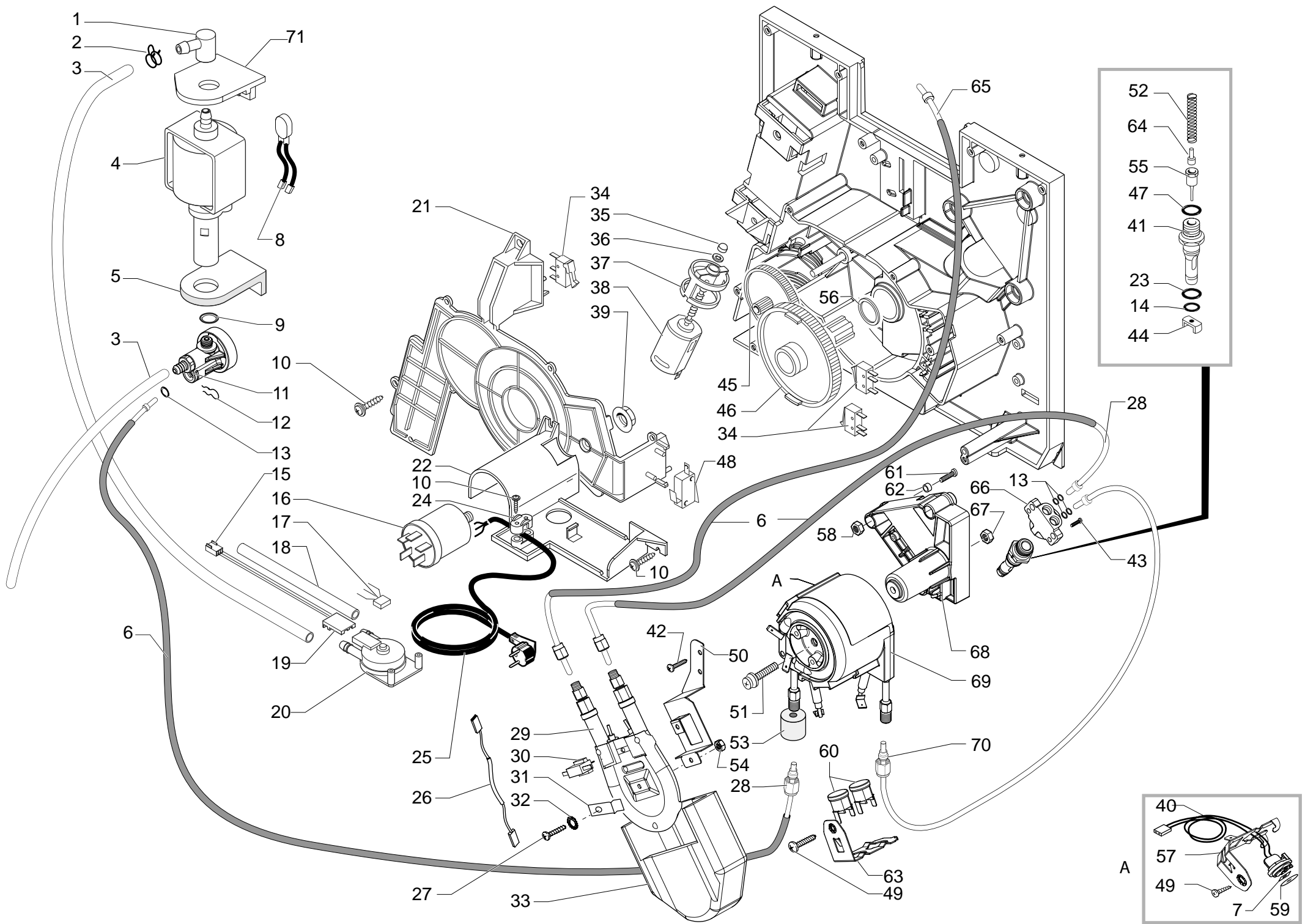


Pos	Article-Nr.	Description	Pos	Article-Nr.	Description
1	142816500	WATER CONTAINER LID SMART NATURA	50	147472750	PIN FOR DEADLOCK SPRING SMART1 D
2	146580950	BLACK KNOB WATER CONTAINER LID S	51	126838818	SPRING FOR BEAN COFFEE CONTAINER
3	144650800	WATER TANK FILTER	52	149201552	BLACK SUPPORT ELECT.CARD SMART D
4	149214359	BLACK CAP FOR FLOATING SPACE LAV	53	222813350	COVER SMART BLACK W/OPEN SIL/SCR
5	9161.112.150	LEVEL FLOAT GREY	54	145898160	INSERT DISPLAY SUPPORT SIRIUS NB
6	140328461	EPDM OR METRIC 0190-10	55	227751808	CUPS PROTECTION SMART/DIG.CHROME
7	140324362	OR METRIC 0060-30 IN SILICONE	56	149198700	SUPPORT CREAM ADJUSTMENT SHAFT
8	126764718	SPRING FOR WATER CONTAINER VALVE	57	181556400	ELECTRONIC BOARD GRAPH DISPLAY
9	147660562	GREY WATER VALVE CONTAINER PISTO	58	224890850	FRONT PANEL BLACK SMART SILK/SCR
10	222693500	WATER CONTAINER AS.SMART NATUR/G	59	149252850	OPENING BUTTON BEAN CONTAINER CO
11	12000381	SCREW TSP PZ2/TT M3X8 UNI 8109 Z	60	222847650	COVER SMART WITH OPEN BLACK/230V
12	149194650	SUPPORT WATER CONTAINER W/O LAMP	60	222847684	COVER SMART WITH OPEN BLACK/120V
13	283551900	2 POLE LEVEL SENSOR AS.SMART 230	60	142855200	EXTERNAL COVER SMART TRANSPARENT
13	283551955	2 POLE LEVEL SENSOR AS.SMART 120	61	127390100	BRUSH FOR CLEANING
14	129910921	SCREW TCB TORX 10 3X10 SS	62	126838918	SPRING FOR BUTTON BEAN CONTAINER
15	129661204	SCREW PANELVIT TCB 3X16 DIN7505	63	165897000	INSTRU.MANUAL SAECO TYPE SUP021Y
16	175898600	TECHMATE UPPER INSERT FOR BOX SM	63	165897017	INSTRU.MANUAL SAECO TYPE SUP021Y
17	175897300	TECHMATE LOWER INSERT FOR BOX SM	63	165897027	INSTRU.MANUAL SAECO TYPE SUP021Y
18	147623150	BLACK SQUARE ADHESIVE FOOT 5023	64	129571121	SCREW TCB PH/SW 3X14 UNI 8112 IN
19	225920208	HANGRIP SX SMART CHROMED	65	U143.018	screw TORX TCB 3,5X16 F TIP
20	129511803	SCREW TCB 2,9X6,4 DIN 7981 NICK	66	11002322	COFFEE DISPENSER TUBE FOR ADJUST
21	13000050	DISPLAY BOX SAECO INCANTO S-CLAS	67	U046.003	SCREW TCBD TORX 20 M4X12 ZN-B
21	178517600	DISPLAY BOX SAECO INCANTO S-CLAS	68	129670302	TCB PANELVIT SCREW 2,9X9,5 TES.D
22	148601650	1GROMMET FOR POWER CABLE SMART	69	146313750	DISENGAGE LEVER BLACK DOOR SMART
23	229170450	SEALING SUPPORT AS.WATER DRIP TR	70	140324461	OR ORM 0060-20 IN TERMOIL
24	142816700	BEAN COFF.CONT.LID SMART NATUR/G	71	129535721	SCREW TSP TORX 10 3,5X9,5 SHEET
25	223070200	ACC SAE AQUA PRIMA 1 UNIT	72	149200450	SUPPORT FOR ARTICULATED JOINT
26	227721800	NAT/GREY GRIND.ADJUSTMENT KNOB S	73	140329162	OR 117 IN SILICONE 70 SH
27	U142.005	PANELVIT TSP 4,5X16 DIN 7505 A	74	148620900	SEMISPHERE SEAL FOR ARTICULAT.JO
28	179990300	BAND FOR LIFTING L=1550 H=300 MM	75	228982921	DOOR METALL SMART TRANSPARENT
29	0701.031.150	SEAL COVER GREY	76	229184704	COFFEE DISPENSER SUPPORT WITH HO
30	145842900	WATER CONTAIN.VALVE SEAL GACO DI	77	223701050	BLACK COFFEE DISPENSER SMART ASS
31	0701.014.150	SEAL CONTAINER GREY	78	147922249	BLACK CONNECTOR FOR ARTICULATED
32	NE03.038	BIPOLAR SWITCH FUSIT C1250AR	79	149261500	HOPPER GROUND COFFEE DOSER SMART
33	149202400	DISPLAY SUPPORT SMART DIGITAL	80	145854962	SEAL FOR COFFEE DISPENSER V2 SMA
34	128310321	WASHER UNI 8842 A3 SS	81	145501211	RED FLOAT FOR DRIP TRAY SMART
35	145854760	BEAN COFFEE CONTAINER SEAL SMART	82	142714400	BEAN CONTAIN.NATURAL/GREY SMART
36	149202550	BLACK SWITCH GENERAL SUPPORT SMA	83	145896949	BLACK RETAINING INSERT TEFLON TU
37	229183750	BLACK SUPPORT GRATE METAL SMART	84	227701104	CREAM ADJUSTM.KNOB GLOSS CHR.PLA
37	229183752	BLACK SUPPORT GRATE METAL SMART/	85	11005044	SAECO KLUBER TRIBOSTAR SIL 2 TUB
38	145897300	INSERT GRINDING ADJUSTM.KNOB SMA	86	282800840	CUP WARMING LID SMART SSTEEL-SB/2
39	147755800	INTERNAL CASING PROTECTION POWER	87	125743421	STAINLESS STEEL GRATE SMART
40	140326661	OR METRIC 0040-20 IN EPDM	88	140320461	OR ORM 0080-20 IN TERMOIL
41	126772518	SPRING FOR CREAM ADJUSTMENT SHAF	89	228660204	CONNECTOR FOR STEAM TUBE
42	226481450	DOOR HINGE KIT SMART BLACK	90	145854360	GROUND COFFEE CONT.SEAL UPPER SM
42	222630550	BLACK DOOR HINGE SMART	91	129740202	SCREW TSP PH/TT 4X10 UNI 8113 ZN
43	145902250	BLACK INSERT FOR DECALCIFYING FI	91	129511921	SCREW TCB 2,9X6,4 DIN 7981 BZ S
44	225920108	HANGRIP DX SMART CHROMED	92	147623650	SQUARE ADHESIVE FOOT NB4256 BLAC
45	222360421	TRANSPARENT CASING SMART	93	220380259	ROTATING RING SMART WITH 3 FEET
46	11005555	BLACK DUMP BOX SMART SILK/SCREEN	94	129562603	SCREW TSC PZ-B 2,9X9,5 UNI 6956
47	229630850	BLACK DRIP TRAY SMART	95	186401000	FLAT TABS 6,3 D=4,5 0010364200

E74079**SUP021YADR**

Pos	Article-Nr.	Description
47	229630852	BLACK DRIP TRAY SMART/UL
48	181556000	ELECTRONIC BOARD CPU SIRIUS
49	129661302	PANELVIT TCB SCREW 3X8 DIN 7505
98	229183150	SUPPORT DOOR METALLIC SMART BLAC
98	229183152	SUPPORT DOOR METALLIC SMART BLAC
99	129512503	SCREW TCB 2,9X9,5 DIN 7981 NICK
100	149202300	REED SUPPORT SMART DIGITAL
101	229200250	BLACK CAP FOR KNOB CREAM ADJUSTM
102	122842121	SS EXTERNAL COVER PANNARELLO G10
103	129571521	SCREW TCB PH/SW 3X18 UNI 8112 IN
104	147757050	BLACK STEAM TUBE PROTECTION SMAR
105	140320762	OR 108 IN SILICONE
106	222270249	BLACK UPPER TUBE FOR PANNARELLO
107	142271350	BLACK INTERN.INP.TUBE PANNAREL.G
108	228660304	CONNECTOR FOR STEAM TUBE
109	149213450	CAP FOR COFFEE DISPENSER TUBE
110	11002323	CONIC SEAL FOR COFFEE DISPENSER
111	140640200	CREAM ADJUSTMENT SHAFT
112	146680850	BLACK COFFEE MEASURE SMART
113	222802400	GROUND COF.CONT.LID CLASSIC NATG
114	147757800	NATUR/GREY BEAN CONT.PROTECT.SMA
115	20000960	SPARES KIT FOR COFFEE DISPENSER

Pos	Article-Nr.	Description
96	129533202	SCREW TSPTORX T10 3,5X9,5 D7982
97	229183550	BLACK SUPPORT HINGE DOOR METAL.S
97	229183552	SUPPOR.HINGE DOOR METAL.SMART BL

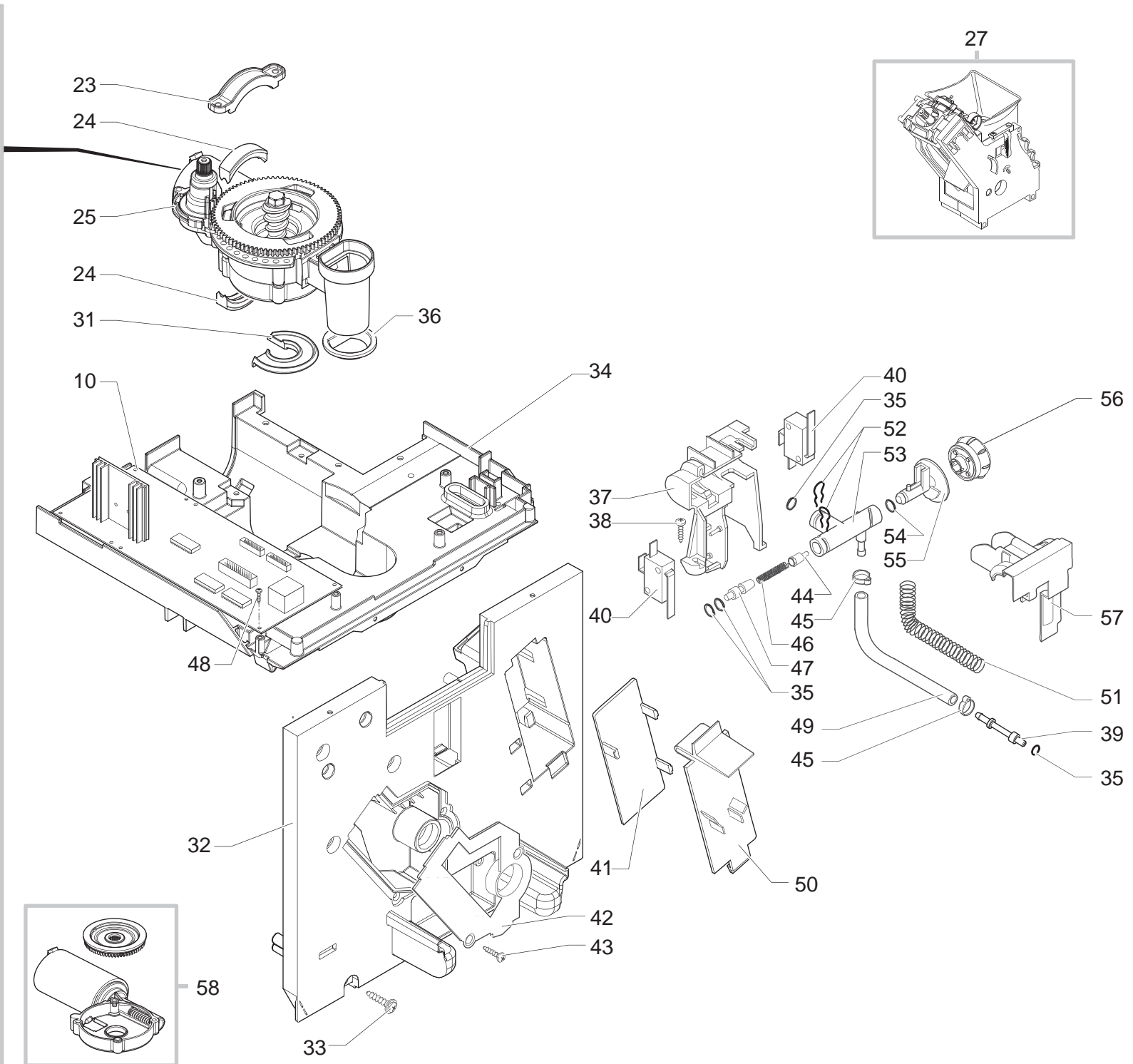
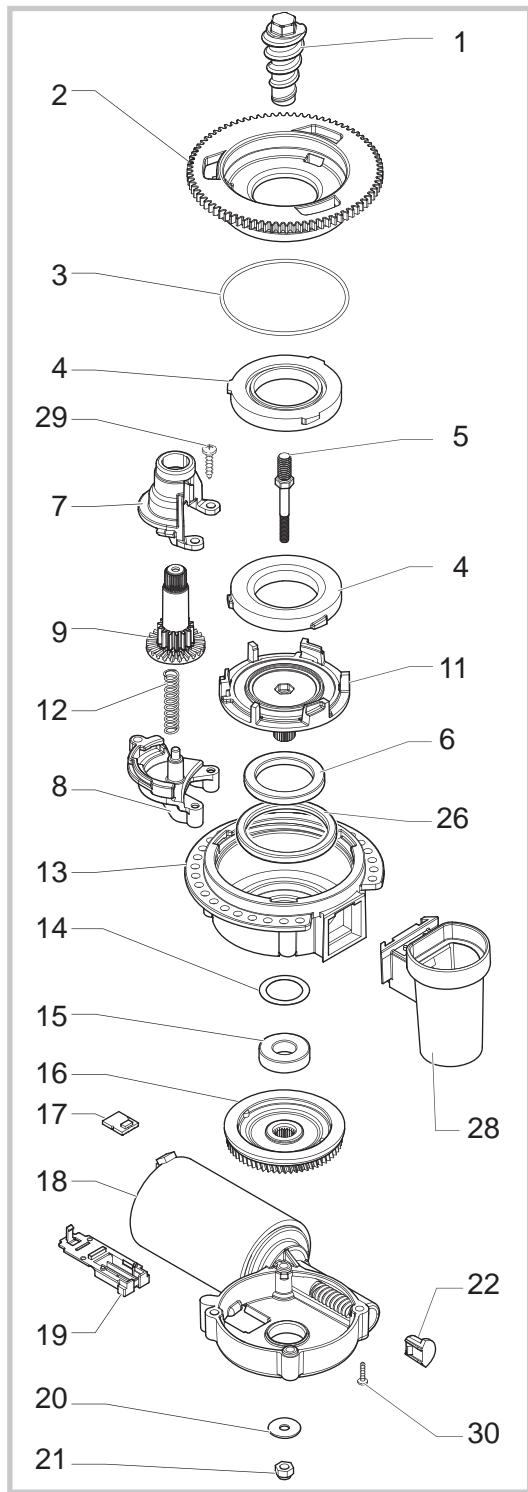


Pos	Article-Nr.	Description	Pos	Article-Nr.	Description
1	147920150	90° INLET CONNECTOR PUMP	48	186723800	MICROSWITCH SAIA X3M502K2KAM92AS
2	184320200	SPRING HOSE CLAMP D=9,5MM	49	129573202	SCREW TCB TORX 20 M4X8 AUTOFORMI
3	149360200	SILICONE TUBE 5X8 70SR IN ROLL	50	129025002	BRACKET BOILER SMART SUPPORT
4	12000131	ULKA PUMP EP5/S 120V-60HZ	51	129932202	ROUND HEAD SCREW 10.9 M5X20 GALV
4	12000140	ULKA PUMP EP5/S GW 230V-50HZ	52	9011.132	SPRING FOR PIN
5	149185850	EATON PUMP SUPPORT MAGIC 400201	53	147756562	PROTECTION FOR FOLK SPRING TUBE
6	149361200	BLACK SILICONE TUBE 7,5X9,3 IN R	54	U302.003	NUT HEXAGONAL M4 UNI 5588
7	181553000	ELECTRONIC BOARD WITH SENSOR KTY	55	11009019	TEA/BRASS PISTON L=20,9 ASSY.
8	0311.807	YELLOW HARNESS KLIXON JP 13	56	9161.132	MYLAR WASHER FOR RATIOMOTOR
8	289201000	THERMAL. PROTECT 120°C CABLE.12	57	126838217	SENSOR FIXING SPRING
9	NM02.028	OR 2015 EPDM FDA	58	U310.003	nut SELF LOCK.M5 UNI 74
10	129670202	TCB PANELVIT SCREW 3,5X16 TESTA	59	145951600	ELECTRIC INSULATING DISK D=16
11	229452100	COMPENSATION AND SAFETY VALVE 16	60	189428200	THERMOSTAT 175° 1NT-08L-3794
12	9011.144	FORK FOR TUBE D.4	60	189428600	THERMOSTAT 175° 1NT-08L-5125
13	140328059	OR 2015 IN SILICONE PTFE/FDA	61	129932502	SCREW TCEI 5X30 PLAST.ZN-B
14	NM01.057	OR ORM 0050-20 SILICONE	61	U044.020	screw TSP M5,0X30 UNI 7688 GA
15	283551300	3POLE CONNECT.AS.TURBINE JP18 SM	62	9161.206	INSULATING SPACER FOR BOILER
16	184651100	ANTIDISTURB FILTER 0,47X2+1000Y2	63	126838117	2 THERMOSTATS FIXING SPRING
16	184651500	ANTIDISTURB FILTER 16A FNC 16104	64	11009013	TEA/BRASS PIN FOR PISTON L=10
18	JS01.022	SILICONE TUBE 5X10 60 SHORE IN R	65	227875400	CONNECTOR AS.TEFLON 2X4 L=330 MM
19	9161.018	BRACKET FOR TURBINE	66	147922700	BOILER SUPPORT CONNECTOR
20	286473300	-M-VDE TURBINE WITH SENSOR KIT	67	123453902	SELF-LOCKI.NUT M5X0,8 DIN 980 CL
21	9161.331.920	TRANSPARENT RATIOMOTOR COVER	68	149197700	SUPPORT FOR ALLUMINIUM BOILER SM
22	149194800	NATURAL TURBINE SUPPORT SMART	68	20000204	SPARES KIT SUPPORT BOILER SMART
23	NM01.035	OR ORM 0090-20 SILICONE	69	282058855	V2 TUB.BOILER W/ADDIT.RESIST.110
24	148600600	CABLE CLAMP V0 MAGIC ESP COMBI	69	282058858	V2 TUB.BOILER W/ADDIT.RESIST.110
25	183911550	POWER CABLE SCHUKO BLACK L=1500	70	227876800	CONNECTOR TEFLON 2X4 L=235 MM AS
25	183922450	P.CABLE SJT 16AWG USA BLACK L=15	71	149205710	PUMP SUPPORT HOLE 13,2 RED
25	183930850	BLACK POWER CABLE CH H05+3FAST.L	100	289435200	GENERAL TURBINE FOR SMART ASSY.
25	183940950	BLACK POWER CABLE AUST.H05+3FAS.	100	282135555	ALUM.BOILER 120V WITH RESISTANCE
26	183440800	CABLE 1 WIRE SILIC.BLACK THERM/F	100	282135558	ALUM.BOILER 230V WITH RESISTANCE
26	183441062	CABLE 1WIRE SILICONE BLACK AWG18			
27	129823802	TCB SCREW M4X8 UNI 7687 ZNP			
28	227874900	CONNECTOR AS.TEFLON 2X4 L=250 MM			
29	288140455	HEATING-ELEMENT BLECKMAN ASSY.12			
29	288140458	HEATING-ELEMENT BLECKMAN ASSY.23			
30	189428300	THERMOSTAT 175° INTERCONTR.16147			
31	127535319	GALV/STEEL THERMAL FUSE FIXING P			
32	128310404	WASHER UNI 8842 A4 BURNISHED			
33	147755900	HEAT.ELEMENT PROTECTION BLECKMAN			
34	NE05.038	MICROSWITCH			
35	9121.046	SINTERED BUSH FOR MOTOR			
36	148380200	WASHER BAKELIZZATE D=5,5			
37	9121.044	ANTIVIBRATION FOR MOTOR			
38	11003037	MOTOR FOR RATIOMOTOR ASSY.			
39	123453602	FLANGE NUT M8 TOOTHED BASE GALV			
40	288582300	SENSOR ELECT.BOARD WITH CONNECTO			
41	9011.100	PEG FOR VALVE IN PLASTIC			
42	129573402	SCREW TAPT M4X10 DIN 7985 GALV			
43	129910103	HI -LO TC SCREW 3,5X15 RIF.9101			
44	9011.099	M CURSOR FOR BOILER VALVE IN PLA			

E74079**SUP021YADR**

Pos	Article-Nr.	Description
45	9121.042	GEAR Z.12/90
46	9121.069.150	GEAR Z=108 FOR MOUNTING PLATE M4
47	140320459	OR ORM 0080-20 IN SILICONE PTFE/

Pos	Article-Nr.	Description
-----	-------------	-------------



Pos	Article-Nr.	Description	Pos	Article-Nr.	Description
1	9141.001	BRASS NCREMENT SCREW MC	49	JS01.019	BRAIDED SILICON TUBE 3X7 IN ROLL
2	149198250	UPPER GRINDER SUPPORT COFFEEGRIN	50	9161.332.050	BLACK EXTERNAL COVERING PUMP SPA
3	140328960	NBR FDA OR METRIC 0530-15	51	126772018	SPRING DI=7,5 FOR FABRIC FINISH
4	146520100	BAKED CLAY GRINDER 48X28	52	9011.144	FORK FOR TUBE D.4
5	127473603	STEEL PIN M4-M6 FOR INCREMENT SC	53	11003733	TEA/BRASS STEAM FAUCET
6	123030300	AXIAL BEARING EKKO 342.35252	54	140328561	OR D=4,18 X 1,90 IN TERMOIL
7	149199750	UPPER GEAR SUPPORT COFFEEGRINDER	55	140640300	FAUCET SHAFT FOR SMART
8	149199850	LOWER GEAR SUPPORT COFFEEGRINDER	56	227710904	STEAM KNOB ZAMAS CHROM.PLATED SM
9	146002150	COFFEE GRINDING ADJUSTMENT GEAR	57	147756400	PROTECTION FAUCET BODY WATER/STE
10	181556155	ELECTRONIC BOARD POWER SIRIUS 12	58	20000202	SPARES KIT MOTOR COFFEEGRINDER/V
10	11002813	ELECTRONIC BOARD POWER SIRIUS/V1	58	20000410	SPARES KIT MOTOR COFFEEGRINDER/V
11	149198350	LOWER GRINDER SUPPORT COFFEEGRIN			
12	126772918	SPRING FOR ADJUSTMENT GRINDING G			
13	142905450	UPPER BODY WITH COFFE.GROUND OUT			
14	128381800	CRINKLE WASHER 21,8X15,8X0,2			
15	123030200	RADIAL BEARING 61900.2RS1			
16	226000300	GEAR SX Z=38 FOR GRINDER MOTION			
17	181540900	ELECTRONIC BOARD WITH SENSOR HAL			
17	20000230	KIT SPARES FOR SENSOR MC/V3 SMAR			
18	11004354	MOTOR COFFEEGRINDER/V3.1 IME 230			
18	11004409	MOTOR COFFEEGRINDER/V3.1 IME 120			
19	149199050	SENSOR SUPPORT FOR COFF.GRIND.MO			
20	128381902	GALVAN.FLAT WASH.DI=4,3 DE=14 SP			
21	123453102	SELF LOCK NUT M4 DIN 982 HIGH GA			
22	149214800	CAP FOR WORM SCREW MC/V3 CENTRIN			
23	144752300	DEADLOCK MOTOR FLANGE SMART1			
24	145854562	COFFEEGRIND.MOTOR SUPPORT SEAL SM			
25	11000514	GENERAL MOTOR ASS.MC/V3.1 120V			
25	11000516	GENERAL MOTOR ASS.MC/V3.1 230V			
26	140360500	FELT RING 45,4X39,4X4			
27	11003426	BLACK BREW UNIT V3 NEW/SBS SMART			
28	222870250	GROUND COFFEE OUTLET CONVEYOR AS			
29	129660102	PANELVIT TCB SCREW 3,5X18 D.750			
30	129661702	SCREW TCB TORX 3,5X30 PLAST.ZN-B			
31	145854662	COFEGRIND.MOTOR ANTIVIBR.SEAL SM			
32	11009360	BOILER SUPPORT PLATE SMART UL AS			
32	227533000	BOILER SUPPORT PLATE SMART ASSY.			
33	129670202	TCB PANELVIT SCREW 3,5X16 TESTA			
34	11000467	BLACK GRINDER SUPPORT PLATE V3 S			
34	147532300	BLACK GRINDER SUPPORT PLATE V3 S			
35	140328059	OR 2015 IN SILICONE PTFE/FDA			
36	145854462	GROUND COFFEE CONT.SEAL LOWER SM			
37	11005343	BLACK FAUCET SUPPORT V2 SMART			
38	129660902	PANELVIT TCB SCREW 3,5X12 D.750			
39	227961303	STRAIGHT CONNECTOR			
40	186724200	MICROSWITCH SAIA X3M502K2KAJ32AV			
41	9161.345.050	BLACK INTERNAL COVERING PUMP SPA			
42	9161.333.050	BLACK BOILER COVER SMART			
43	129535721	SCREW TSP TORX 10 3,5X9,5 SHEET			
44	11009018	TEA/BRASS PISTON L=15,1 ASSY.			
45	NF11.052	OETIKER CLIP			

E74079

SUP021YADR

Pos	Article-Nr.	Description
46	126765317	STEEL SPRING BOILER PISTON MAGIC
47	11009007	TEA/BRASS CAP FOR FAUCET NESPRES
48	U140.004	PANELVIT TCB 3,0X12 DIN 7505 B

Pos	Article-Nr.	Description
-----	-------------	-------------