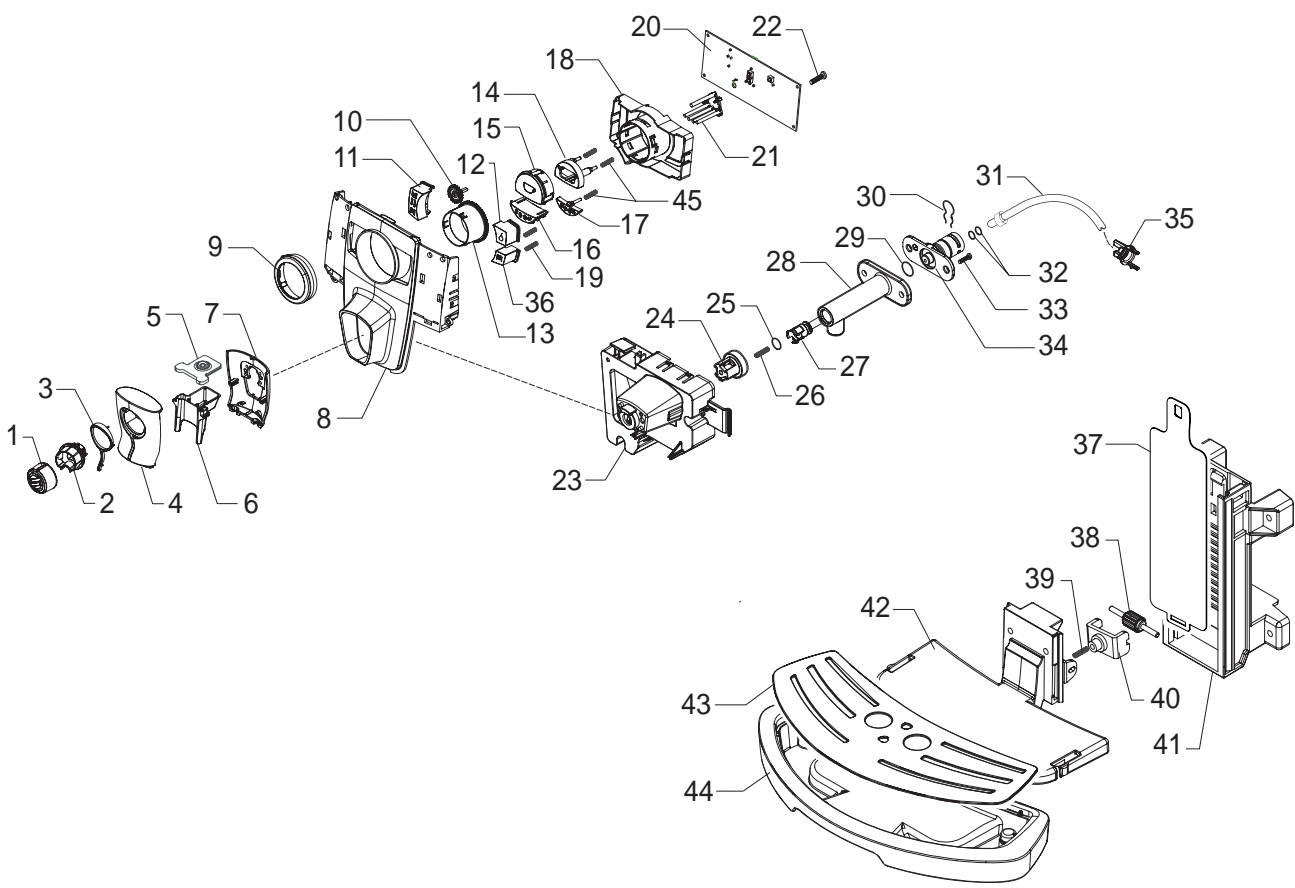


Saeco SUP032OR
INTERNATIONAL GROUP



Cod. 10002770-2771-2835-2861-62-63
Cod. 10002864-69-2922-23-24

POS	CODE	DESCRIPTION	NOTE	POS	CODE	DESCRIPTION	NOTE
01	11004088	TITANIO WATER TANK OUTLET COVER P0053		33	11004067	TITANIO RIGHT SIDE CASING P0053	
	11004087	SPECCHIATO WATER TANK OUTLET COVER P0053			11004066	SPECCHIATO RIGHT SIDE CASING P0053	
02	11001668	NATURAL/GREY WATER CONTAINER LID P0053		34	11004055	TITANIO ON-OFF BUTTON INSERT P0049	
03	11002017	TRANSPARENT WATER CONTAINER P0053 ASSY.			11004072	SPECCHIATO ON-OFF BUTTON INSERT P0049	
04	224640200	EXTERNAL FILTER FOR WATER CONTAINER ASSY	WITH PART.N°05	35	11004056	CHROMED ON-OFF SWITCH BUTTON P0049	
05	140328461	EPDM OR METRIC 0190-10		36	11004083	TITANIO DRIP TRAY COFFEE UNIT P0053	
06	11003672	SPRING FOR WATER CONTAINER VALVE P0049			11004082	SPECCHIATO DRIP TRAY COFFEE UNIT P0053	
07	11003673	GREY WATER CONTAINER VALVE INSERT P0049		37	11003533	BLACK DUMP BOX P0049 ASSY.	
08	11003671	TRANSP. VALVE FOR WATER CONTAINER P0049		38	11001659	BLACK INSIDE COVER DOOR P0053	
09	11001298	BLACK LID FOR DUCKBILL VALVE P0049			11009285	BLACK INSIDE COVER DOOR P0053 UL	
10		PARTICULAR NOT AVAILABLE	SEE PART.N°57	39	9161.111	MAGNET FOR FLOAT SUPERAUTOM.	
		UP TO S/N.9009SA40101129		40	11001340	BLACK DOOR PIN P0049	
	13000841	PS-E UPPER INSERT V4 FOR BOX P0053		41	11008956	SS SPRING FOR LOCK DOOR G0053	
		FROM S/N.9009SA40101130		42	11004085	TITANIO DOOR P0053	
11		PARTICULAR NOT AVAILABLE	SEE PART.N°57		11004084	SPECCHIATO DOOR P0053	
		UP TO S/N.9009SA40101129		43	11003785	BLACK GRINDER ADJUSTMENT KEY P0049	
	13000840	PS-E LOWER INSERT V4 FOR BOX P0053		44	15001565	MANUAL INSTRUCTIONS SAECO P0053/A D/I	
		FROM S/N.9009SA40101130			15001571	MANUAL INSTRUCTIONS SAECO P0053/A E/P	
12		PARTICULAR NOT AVAILABLE	SEE PART.N°57		15001566	MANUAL INSTRUCTIONS SAECO P0053/A GB/F	
		UP TO S/N.9009SA40101129			15001572	MANUAL INSTRUCTIONS SAECO P0053/A NL/PL	
	13000882	DISPLAY BOX V4 SAECO P0053			15001650	MANUAL INSTRUCTIONS SUP032OR CHN	
		FROM S/N.9009SA40101130		45	21000961	ACC SAE BRITA WATER FILTER 1 UNIT EUR	
13	11004057	CHROMED WATER-STEAM KNOB P0053			21001120	ACC SAE BRITA WATER FILTER 1 UNIT AMERICA	
14	11005287	BLACK BUSH FOR STEAM KNOB			21001123	ACC SAE BRITA WATER FILTER 1 UNIT ASIA	
15	11004142	SILVER PLATE LOGO SAECO NEW P0049/P0053		46	129914102	SCREW TSP TORX 10 3.5X12 PLAST.ZN-B	
16	11011598	SPECCHIATO COVER WITHOUT OPEN V2 P0053		47	183930650	PO.CABL.CH BLACK 3X1 H05VV-F L=1200	
17	11002096	TRANSP.LATE INFRAREDS PLATE P0053			183911050	POWER CABLE SCHUKO BLACK L=1200	
18	11010829	BLACK PLATE W/LOGO TALEA P0053 GIRO PL			183940650	BLACK POWER CABLE AUSTRALIA L=1200	
19	140321461	OR 2018 IN EPDM			183921950	POWER CABLE SJT3 USA BLACK UL L=1200	
20	11003821	BLACK CAP FOR CONNECTIONS P0049/P0053			11004246	BLACK POWER CABLE TAIWAN HVCTF L=1200	
21	11000223	BLACK WHEEL FOR CASING BOTTOM P124			11004247	BLACK POWER CABLE RVV 3X1 CHINA L=1200MM	
22	11004059	TITANIO LEFT SIDE CASING P0053			183980650	POWER CABLE JAPPON VCTF BLACK L=1200 MM	
	11004058	SPECCHIATO LEFT SIDE CASING P0053			11001985	BLACK POWER CABLE KOREA 3X1 L=1200	
23	11001624	STEAM TUBE WASHER P0049			11004245	BLACK POWER CABLE BRAZIL W/CONNECT.L=1200	
24	NF11.084	FOLK SPRING		48	11003154	BLACK REED SENSOR SUPPORT P0049	
25	11001360	PWR BOARD P0049/P0053	230V	49	11005044	SAECO KLUBER TRIBOSTAR SIL 2 TUBE 5GR.	
	11003968	PWR BOARD P0049/P0053	100V-120V	50	146680850	BLACK COFFEE MEASURE SMART	
26	11002030	TRANSP.BEAN COFF.CONTAIN.LID P0053 ASSY.		51	11003889	2POLES CONNECTOR SENSOR REED DOOR P0049	
27	11009194	BLACK POWER BOARD PROTECT.V2 P0053/A-D		52	129913202	SCREW TCB TORX 10 3X8 PLAST.ZN-B	
28	11001670	NATUR/GREY GROUND COFF.CONTAIN.LID P0053		53	129661702	SCREW TCB TORX 3,5X30 PLAST.ZN-B	
29	11011354	TRANSPAR.BEAN CONTAINER V2 P0053		54	11006567	LWR INSULATE SHEET PWR ELECT.BOARD P0053	(ONLY 120V)
30	11002016	MOUNTING PLATE WITH PIN P0053 PP+T ASSY.		55	11007234	UPP.INSULATE SHEET PWR ELECT.BOARD P0053	(ONLY 120V)
	11009300	MOUNTING PLATE UL WITH PIN P0053 PP+T ASSY.		56	0301.961	WATER HARDNESS TEST	
31	12000280	CUP SOCKET EN 60320 C 13		57	20006664	KIT SPARES FOR PACKAGING V4 P0053	
32	11007060	GENERAL SWITCH FOR P124				UP TO S/N.9009SA40101129	



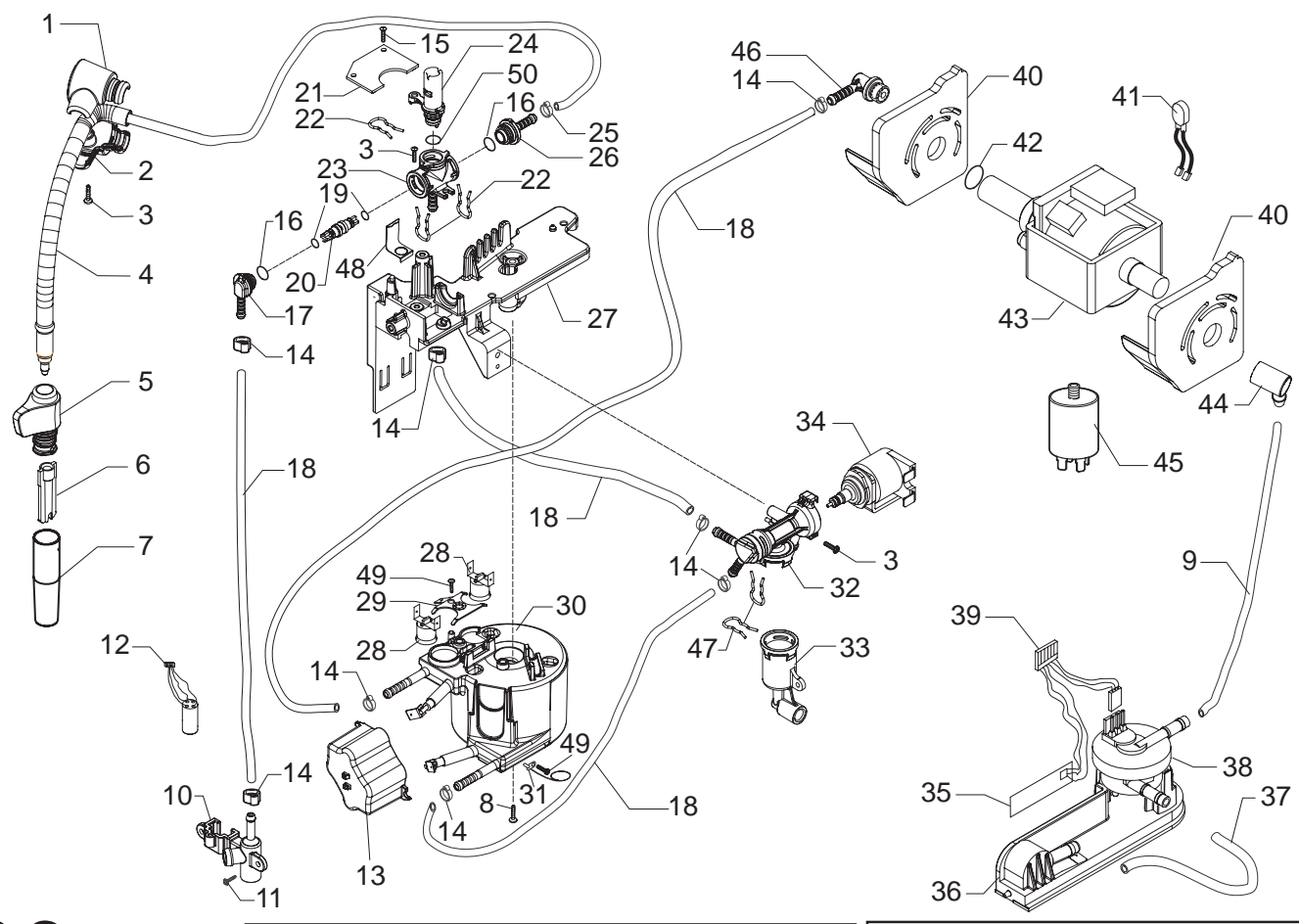
Saeco SUP032OR
INTERNATIONAL GROUP



Cod. 10002770-2771-2835-2861-62-63
Cod. 10002864-69-2922-23-24

POS	CODE	DESCRIPTION	NOTE
01	11007378	CHR/PLAT.CREAM ADJUSTM.KNOB V2 P124 ASSY	
02	11007420	INTERNAL CONNECT.V2 FOR COFFEE DISPENSER	
03	11002110	AMBRA COFFEE DISPENSER LENS P0053	
04	11004208	CHROMED FRONT COFFEE DISPENSER COVER	
05	11002111	BLACK CAP COFFEE DISPEN.HEAD BODY P0053	
06	11002049	BLACK COFFEE DISPENSER BODY P0053	
07	11004119	CHROMED REAR COFFEE DISPENSER COVER	
08	11005515	SPECCHIATO FRONT PANEL P0053/A S/SCREEN	
09	11004100	CHROMED HEIGHT REGULATION NUT P0049	
10	11001320	BLACK GEAR Z=19 FOR P0049	
11	11002064	BLACK BUTTON FOR ALLARMS P0053/A	
12	11010406	BLACK BUTTON V2 FOR WATER P0053/A	
13	11002061	BLACK SUPPORT FOR RING NUT P0053	
14	11002066	BLACK COFFEE BUTTON SPACER P0053/A	
15	11001354	BLACK COFFEE BUTTON P0049/B	
16	11010388	BLACK COFFEE DOSE BUTTON V2 P0049/B	
17	11010433	BLACK COFF.DOSE BUTTON SPACER V2 P0053/A	
18	11002062	BLACK SUPPORT FOR BUTTONS P0053/A	
19	11005689	TRANSPAR.INSERT FOR WATER BUTTON P0053	
20	11010316	AS.CPU+SW V3 P0053/A	
21	11010408	TRANSPARENT CAP LED COVER V2 P0053/A	
22	129913202	SCREW TCB TORX 10 3X8 PLAST.ZN-B	
23	11002112	BLACK DISPENSING SUPPORT P0053	
24	149198700	SUPPORT CREAM ADJUSTMENT SHAFT	
25	140326661	OR METRIC 0040-20 IN EPDM	
26	126772518	SPRING FOR CREAM ADJUSTMENT SHAFT	
27	140640200	CREAM ADJUSTMENT SHAFT	
28	11000290	BLACK COFFEE DISPENSER TUBE P124	
29	12000070	OR METRIC 0060-15 IN SILICONE	
30	9011.144	FORK FOR TUBE D.4	
31	11001766	TEFLON TUBE 2X4 L=125 MM ASSY.	
32	140328059	OR 2015 IN SILICONE PTFE/FDA	
33	12000450	SCREW TCB TORX 10 3.5X12 PLAST.GALVANIZ	
34	11002130	FAST LOCK CONNECTOR FOR EROGATOR P0053	
35	11001337	BLACK TUBE TEFLON INSERT P0049	
36	11011238	BLACK DECALCIFICAT.BUTTON P0053/A S/SCR.	
37	11007037	SPECCHIATO DRIP TRAY PROTECTION V2 P0049	
	11008166	TITANIO DRIP TRAY PROTECTION V2 P0049	
38	11001758	PIN WITH BLACK INSERT ASSY.P0049	
39	11001364	MOVE DRIP TRAY SPRING P0049	
40	11001335	BLACK PIN INSERT FOR DRIP TRAY P0049	

POS	CODE	DESCRIPTION	NOTE
41	11002033	BLACK DRIP TRAY GUIDE P0053	
42	11004092	CARBONA DRIP TRAY SUPPORT P0053	
43	11010389	SB/STAINLESS STEEL GRATE P0053	
44	11011002	CARBONA DRIP TRAY V2 P0053	
45	11002068	SPRING FOR BUTTONS P0053/A	

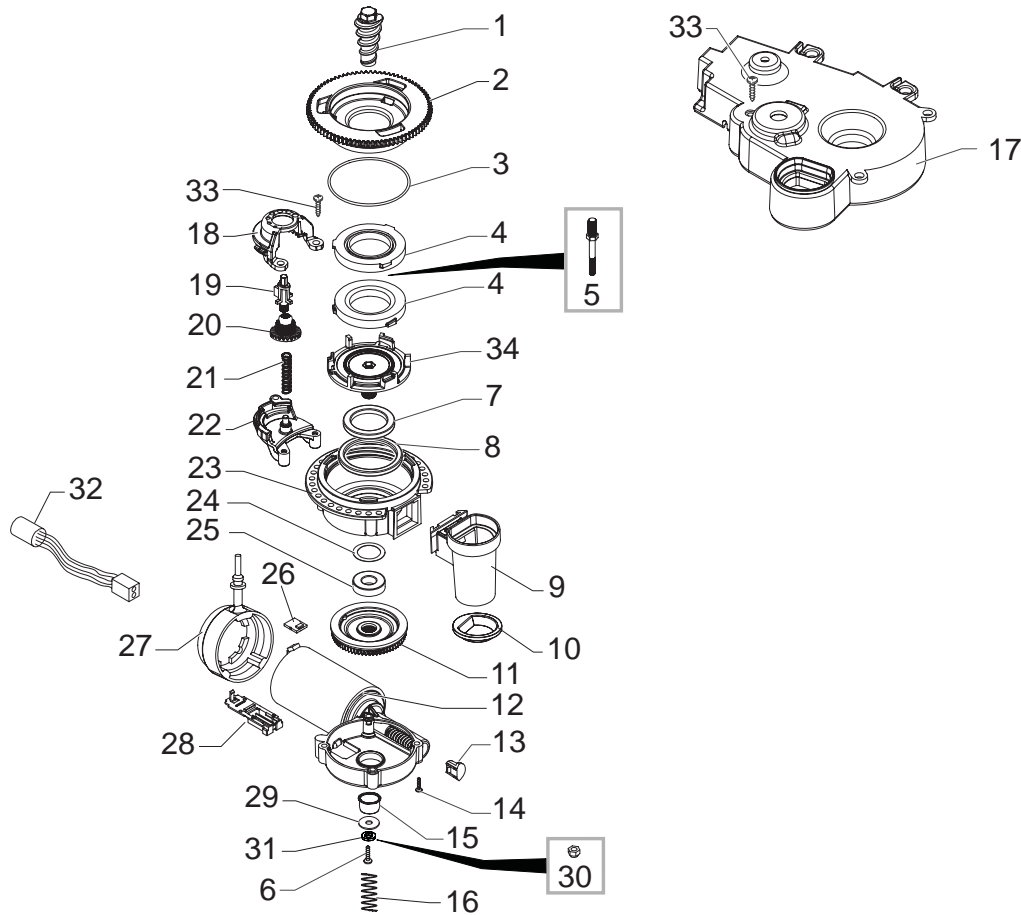


Saeco SUP032OR
INTERNATIONAL GROUP



Cod. 10002770-2771-2835-2861-62-63
Cod. 10002864-69-2922-23-24

POS	CODE	DESCRIPTION	NOTE	POS	CODE	DESCRIPTION	NOTE
01	11004196	CHROMED UPPER STEAM TUBE COVER P0049		34	20000920	BLOWDOWN VALVE COIL P0049 ASSY	220V-60HZ
02	11004197	CHROMED LOWER STEAM TUBE COVER P0049		35	11000651	WATER LEVEL SENSOR BOARD P124	
03	129913902	SCREW TCB TORX 10 3X12 PLAST.ZN-B		36	11003670	BLACK TURBINE SUPPORT V2 P0049	
04	11011677	TF/CHROM.STEAM TUBE P0049/P0053 ASSY		37	JS01.022	SILICONE TUBE 5X10 60 SHORE	IN ROLL
05	11001625	BLACK STEAM TUBE HANDGRIP P0049		38	12000781	TURBINE D=1,2 932-8521/90 ASSY.	
06	11001620	BLACK PANNARELLO INTERNAL TUBE P0049		39	11005648	6 POLES CONNECT.LEVEL+FLOWMETER P0049 UL	
07	11011504	TF/CHROM.PANNARELLO COVER P0049		40	11006296	BLACK PUMP SUPPORT P0049 ASSY.	
08	129932502	SCREW TCEI 5X30 PLAST.ZN-B		41	11005668	2POLES CONNECTOR PUMP P0049 UL	
09	149360200	SILICONE TUBE 5X8 70SR	IN ROLL	42	140321961	OR 2031 IN TERMOIL	
10	11007421	BLACK CONNECTOR FOR P0054		43	12000140	ULKA PUMP EP5/S GW	230V-50HZ
11	12000450	SCREW TCB TORX 10 3,5X12 PLAST.ZN-B			12000142	ULKA PUMP EAP5/S	120V-60HZ
12	11000465	4POLE CONNECTOR FOR P0054			12000130	ULKA PUMP EP5/S GW	100V-50/60HZ
13	11005284	BLACK BOILER CONNECTORS COVER P0049/P0053			12000182	ULKA PUMP EP5/S GW	220V-60HZ
14	12000892	OETIKER CLAMP D=9,5 16700004		44	147920150	90° INLET CONNECTOR PUMP	
15	129913202	SCREW TCB TORX 10 3X8 PLAST.ZN-B		45	12000005	ANTIDISTURB FILTER 10A FNC 1005474103P	230V
16	12000931	OR 108 IN EPDM FDA 70 SH			12000007	ANTIDISTURB FILTER 16A	120V
17	11001544	BLACK FAUCET CONNECTOR P0049			12001363	QUICK-LOCK ANTIDISTURB FILTER 16A	100V
18	16000380	5X8,9 SILICONE TUBE	IN ROLL	46	11001054	90°CONNECTOR PUMP OUTLET P0049/B	
19	12000890	OR 2012 IN EPDM FDA 70 SH SV		47	11005096	FORK SPRING FOR VALVE P0049	
20	11004134	TEA/BRASS FAUCET SHAFT P0049		48	11002957	SS.FAUCET FOR SPRING P0049	
21	11007569	TAP ELECTRONIC CARD G0053 ASSY.		49	129573202	SCREW TCB TORX 20 M4X8 AUTOFORMING ZN-B	
22	11001499	FORK SPRING FOR FAUCET P0049		50	140321861	OR 2025 IN EPDM	
23	11004625	TEA/BRASS FAUCET CASING P0049			11008698	TEA/BRASS FAUCET P0049-P0053 ASSY. WITH PART. N°16-17-19-20-22-23-24-26-50	
24	11004135	PLAST/BRASS FAUCET SHAFT P0049 ASSY.			11001543	BLOWDOWN VALVE P0049 230V ASSY.	
25	NF11.052	OETIKER CLIP			11005604	BLOWDOWN VALVE P0049 120V ASSY.	
26	11001546	FAUCET STRAIGHT CONNECTOR P0049			11005751	BLOWDOWN VALVE P0049 100V ASSY.	
27	11001332	BLACK BOILER-FAUCET-VALVE SUPPORT P0049			11009021	BLOWDOWN VALVE P0049 220V-60HZ ASSY. WITH PART. N°32-33-34-47	
28	189428600	THERMOSTAT 175° 1NT-08L-5125			11008027	ALUM.BOILER V2 P0053 230V ASSY.	COMPLETE
		UP TO S/N. 9008SA40364012	(ONLY FOR 230V)		11008028	ALUM.BOILER V2 P0053 120V ASSY.	COMPLETE
		FROM S/N. 9008SA40364013	(ONLY FOR 230V)		11008029	ALUM.BOILER V2 P0053 100V ASSY.	COMPLETE
29	11001751	THERMOSTATES SPRING FOR BOILER			11009131	ALUM.BOILER V2 P0053 220V-60HZ ASSY.	COMPLETE
30	11011341	ALUM.BOILER/V4 ASSY.	220V=230V-1300W				
	11005608	ALUM.BOILER/V3 ASSY.	120V-1300W				
	11005609	ALUM.BOILER/V3 ASSY.	100V-1300W				
31	190800100	TEMPERATURE SENSOR NTC UL L=280MM					
32	20000591	BLOWDOWN VALVE CASING P0049 ASSY.					
33	20000592	BLOWDOWN VALVE CONNECTOR P0049 ASSY.					
34	20000590	BLOWDOWN VALVE COIL P0049 230V ASSY.	230V				
	20000680	BLOWDOWN VALVE COIL P0049 120V ASSY.	120V				
	20000681	BLOWDOWN VALVE COIL P0049 100V ASSY.	100V				

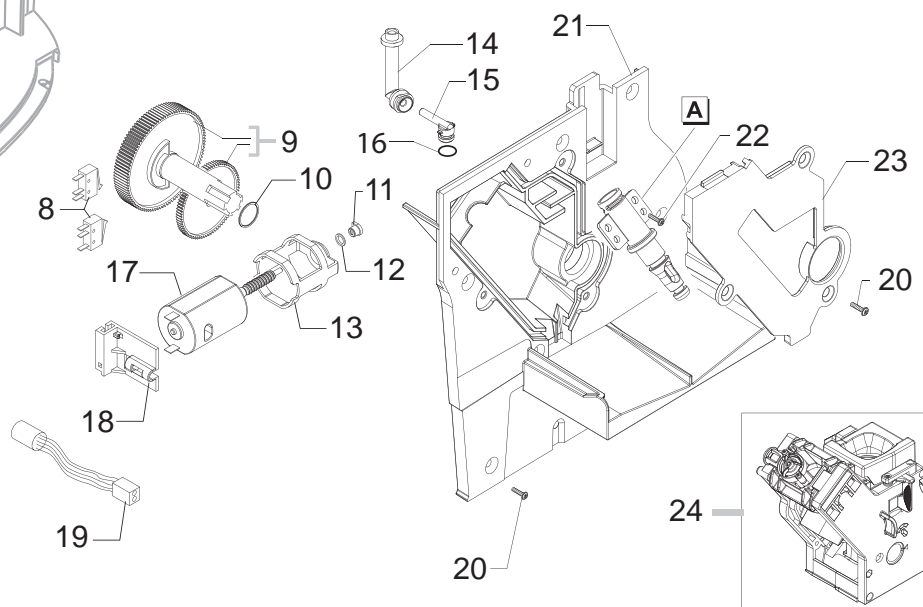
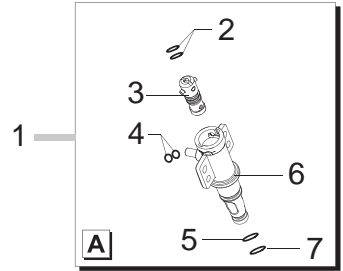
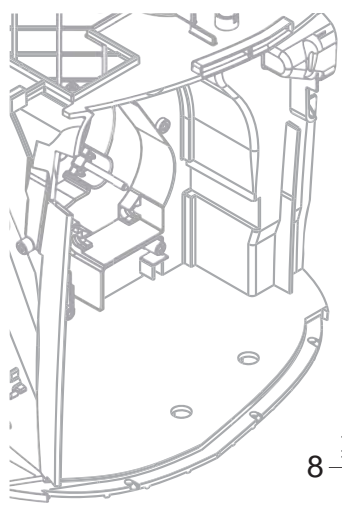


Saeco SUP032OR
INTERNATIONAL GROUP



Cod. 10002770-2771-2835-2861-62-63
Cod. 10002864-69-2922-23-24

POS	CODE	DESCRIPTION	NOTE	POS	CODE	DESCRIPTION	NOTE
01	9141.001	BRASS INCREMENT SCREW MC UP TO S/N. 9008SA40315750		32	11005658	5POLES CONNECTOR MC SENSORS P0049 UL	230V
	11011205	TEA/ZAMA INCREASE SCREW GRINDER FROM S/N. 9008SA40315751		33	129914002	SCREW TCB TORX 10 3,5X16 PLAST.ZN-B	
02	149198250	UPPER GRINDER SUPPORT COFFEEGRINDER		34	149198350	LOWER GRINDER SUPPORT COFFEEGRINDER	
03	140328960	NBR FDA OR METRIC 0530-15			11007416	GENERAL MOTOR MC V2 P0049 230V ASSY.	
04	146520100	BAKED CLAY GRINDER 48X28			11007417	GENERAL MOTOR MC V2 P0049 120V ASSY.	
05	127473603	STEEL PIN M4-M6 FOR INCREMENT SCREW UP TO S/N. 9008SA40315750			11007418	GENERAL MOTOR MC V2 P0049 100V ASSY.	
06	129574802	SCREW TCB TORX 20 M4X30 ZN-B FROM S/N. 9008SA40315751					
07	123030300	AXIAL BEARING EKKO 342.35252					
08	140360500	FELT RING 45,4X39,4X4					
09	11012564	GROUND COFFEE OUTLET CONVEYOR V2 ASSY					
10	145854462	GROUND COFFEE CONT.SEAL LOWER SMART1					
11	226000300	GEAR SX Z=38 FOR GRINDER MOTION ASSY.					
12	11000513	MOTOR COFFEEGRINDER/V3.1 ASSY	230V				
	11000511	MOTOR COFFEEGRINDER/V3.1 ASSY	120V				
	11000512	MOTOR COFFEEGRINDER/V3.1 ASSY.	100V				
13	149214800	CAP FOR WORM SCREW MC/V3 CENTRING					
14	129661702	SCREW TCB TORX 3,5X30 PLAST.ZN-B					
15	11002873	INSULATOR BUSH FOR GRINDER MOTOR P124					
16	11000597	COFFEE GRINDER SUPPORT SPRING P124					
17	11001826	SOUNDPROOFING COVER FOR COFGRINDER P0053					
18	11002508	UPPER GEAR SUPPORT COFFEEGRINDER P124					
19	11003446	BLACK INSERT FOR COFFEE GRINDER P0049					
20	11003784	COFFEE GRINDING ADJUSTMENT GEAR P0049					
21	11002572	GRINDER REGULATION SPRING P124					
22	11002613	LOWER GEAR SUPPORT COFFEEGRINDER P124					
23	142905450	UPPER BODY WITH COFFEE.GROUND OUTLET					
24	128381800	CRINKLE WASHER 21,8X15,8X0,2					
25	123030200	RADIAL BEARING 61900.2RS1					
26	181540900	ELECTRONIC BOARD WITH SENSOR HAL506					
27	11001367	BLACK COFFEE GRINDER SUPPORT P0049					
28	149199050	SENSOR SUPPORT FOR COFF.GRIND.MOTOR					
29	128381902	GALVAN.FLAT WASH.DI=4,3 DE=14 SP=1,5					
30	123453102	SELF LOCK NUT M4 DIN 982 HIGH GALV. UP TO S/N. 9008SA40315750					
31	128310402	GALV.WASHER UNI 8842 A4 FROM S/N. 9008SA40315751					



Saeco SUP032OR
INTERNATIONAL GROUP



Cod. 10002770-2771-2835-2861-62-63
Cod. 10002864-69-2922-23-24

POS	CODE	DESCRIPTION	NOTE	POS	CODE	DESCRIPTION	NOTE
01	11005113	PIN V2 FOR BOILER P049/B ASSY.					
02	140324459	OR ORM 0060-20 IN SILICONE PTFE/FDA					
03	11003820	CAP V2 FOR PIN BOILER P119					
04	140328059	OR 2015 IN SILICONE PTFE/FDA					
05	NM01.035	OR ORM 0090-20 SILICONE					
06	11003801	PIN V2 FOR BOILER P119					
07	NM01.057	OR ORM 0050-20 SILICONE					
08	NE05.038	MICROSWITCH					
09	20000900	SPARES KIT GEARS FOR RATIOMOTOR V2					
10	9161.132	MYLAR WASHER FOR RATIOMOTOR					
11	9121.046	SINTERED BUSH FOR MOTOR					
12	148380200	WASHER BAKELIZZATE D=5,5					
13	9121.044	ANTIVIBRATION FOR MOTOR					
14	11004086	VALVE DESCARGING WATER 90° CONNECTOR					
15	11003648	COVER DESCARGING WATER 90° CONNECTOR					
16	140325462	OR METRIC 0070-20 IN SILICONE					
17	11003037	MOTOR FOR RATIOMOTOR ASSY.					
18	11001331	BLACK MICROSWITCH SUPPORT DUMP BOX P0049					
19	11003661	REED SENSOR MK3-1A66-BV16451					
20	129914102	SCREW TSP TORX 10 3,5X12 PLAST.ZN-B					
21	11006337	BLACK COVER MOUNTING PLATE P0049 ASSY.					
22	11009287	BLACK COVER MOUNTING PLATE P0049 UL ASSY.					
23	129914002	SCREW TCB TORX 10 3,5X16 PLAST.ZN-B					
24	11001312	BLACK COVER FOR VAIN BOILER P0049					
	11009284	BLACK COVER FOR VAIN BOILER P0049 UL					
	11005921	BLACK BREW UNIT 8GR.V2 P124/SBS SEE EXP.COD.E90060					