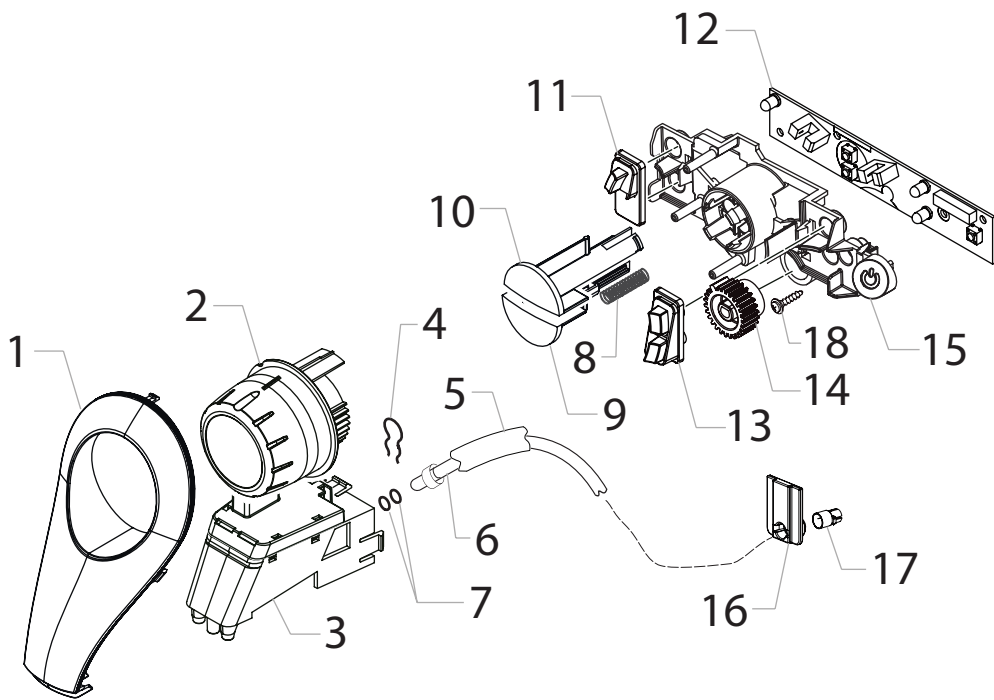
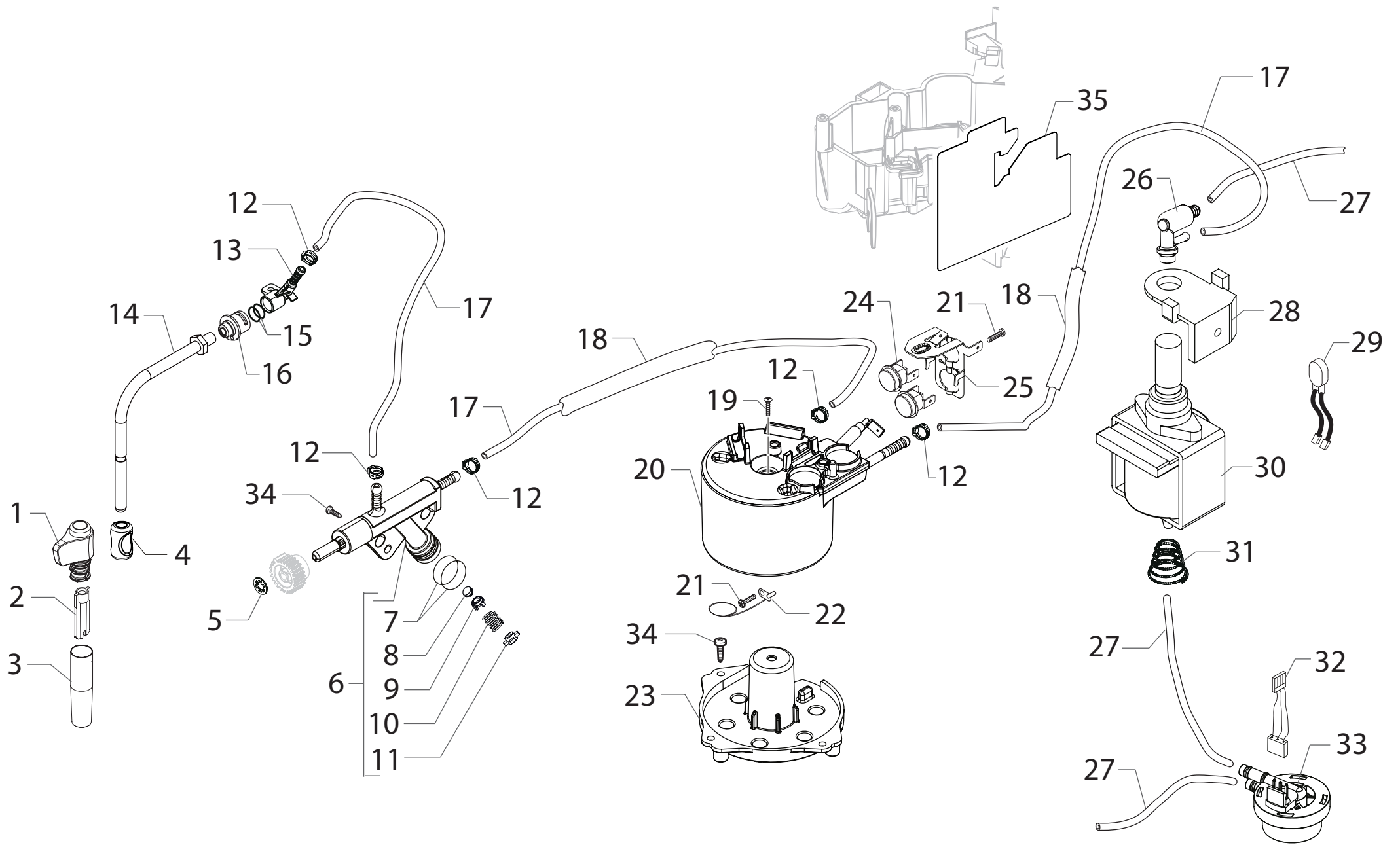


Pos	Article-Nr.	Description	Pos	Article-Nr.	Description
1	11005044	SAECO KLUBER TRIBOSTAR SIL 2 TUBE 5GR.	35	11011209	CPU+SW P0057 XSMALL V1 230V ASSY.
2	15000994	MANUAL SAE P0057 8L.	35	11012246	CPU+SW AS.P0057 XSMALL V1 LAC 230V
2	15001790	MANUAL V2 SAE P0057 JAP	36	11012102	ADHESIVE AERSTOP SP=1,6 MM P0057
3	12001193	TRANSP.ROUND ADHESIVE FOOT RBS-44-CR	37	13000460	PS-E UPPER INSERT FOR BOX P0057
4	183911050	BLACK POWER CABLE SCHUKO L=1200	38	13000461	PS-E LOWER INSERT FOR BOX P0057
4	183921950	POWER CABLE SJT3 USA BLACK UL L=1200	39	13000462	DISPLAY BOX SAECO XSMALL
4	183930650	POWER CABLE CH BLACK 3X1 H05VV-F L=1200	40	NE05.013	MICROSWITCH SAIA XGK52-81-J23
4	183940650	BLACK POWER CABLE AUSTRALIA L=1200	41	128382002	FLAT WASH.DI=3,7 DE=11 SP=0,8 GALV.
4	183980650	BLACK POWER CABLE JAPPON VCTF L=1200MM	42	11012301	BLACK PWR/CPU BOARD PROTECTION P0057
4	11004245	BLACK POWER CABLE BRAZIL W/CONNECT.L=1200			
5	11003785	BLACK GRINDER ADJUSTMENT KEY P0049			
6	11005756	SILVER WATER CONTAINER FRONT COVER P0057			
6	11006331	RED WATER CONTAINER FRONT COVER P0057			
7	11006058	NAT/GREY WATER CONTAINER P0057 ASSY.			
8	224640200	WHITE WATER CONTAINER EXT.FILTER ASSY.			
9	140328461	EPDM OR METRIC 0190-10			
10	11003672	SS SPRING FOR WATER CONTAIN.VALVE P0049			
11	11003673	GREY WATER CONTAINER VALVE INSERT P0049			
12	11003671	TRANSP.VALVE FOR WATER CONTAINER P0049			
13	11001298	BLACK LID FOR DUCKBILL VALVE P0049			
14	11006222	SILVER UPPER COVER CASING P0057 S/SCREEN			
14	11010606	RED UPPER COVER CASING S/SCR.P0057			
15	11011406	ADHES.SILVER PLATE LOGO SAECO P0057			
16	11006066	RED UPPER COVER CASING CAP P0057			
16	11010038	SILVER UPPER COVER CASING CAP P0057			
17	11011407	ADHES.SILVER PLATE LOGO XSMALL STEAM			
17	11011408	ADHES.SILVER PLATE LOGO XSMALL PLUS			
18	11006068	WHITE LEFT SIDE COVER P0057			
18	11004141	MEZZANOTTE LEFT SIDE COVER P0057			
19	11007082	BLACK CASING BOTTOM INSERT P0057			
20	11003741	BLACK CASING BOTTOM P0057			
20	11012695	BLACK CASING BOTTOM V2 P0057			
21	11004106	SILVER LOWER FRONT INSERT P0057			
21	11006100	RED LOWER FRONT INSERT P0057			
22	11005727	SILVER GRATE FOR DRIP TRAY P0057			
23	11012039	RED FLOAT FOR DRIP TRAY P0057			
24	11003735	BLACK DRIP TRAY P0057			
24	11012694	BLACK DRIP TRAY V2 P0057			
25	11004123	NAT/GREY BEAN COFFEE CONTAINER LID P0057			
26	12000450	SCREW TCBR TORX 10 3,5X12 PLAST.ZN-N			
27	11004125	NAT/GREY BEAN COFFEE CONTAINER P0057			
28	11006063	TRANSP.INFRAREDS PLATE P0057			
29	11003755	BLACK COFFEE GRINDER PLATE P0057			
30	12000280	CUP SOCKET EN 60320 C 13			
31	11004105	SILVER DUMP BOX P0057			
31	11006057	RED DUMP BOX P0057			
32	147622800	TRANSPARENT SILICONE FOOT			
33	11004130	WHITE DOOR P0057			
33	11004138	MEZZANOTTE DOOR P0057			
34	11004139	BLACK HINGE FOR DOOR P0057			
35	11006345	CPU+SW P0057 XSMALL V1 120V ASSY.			

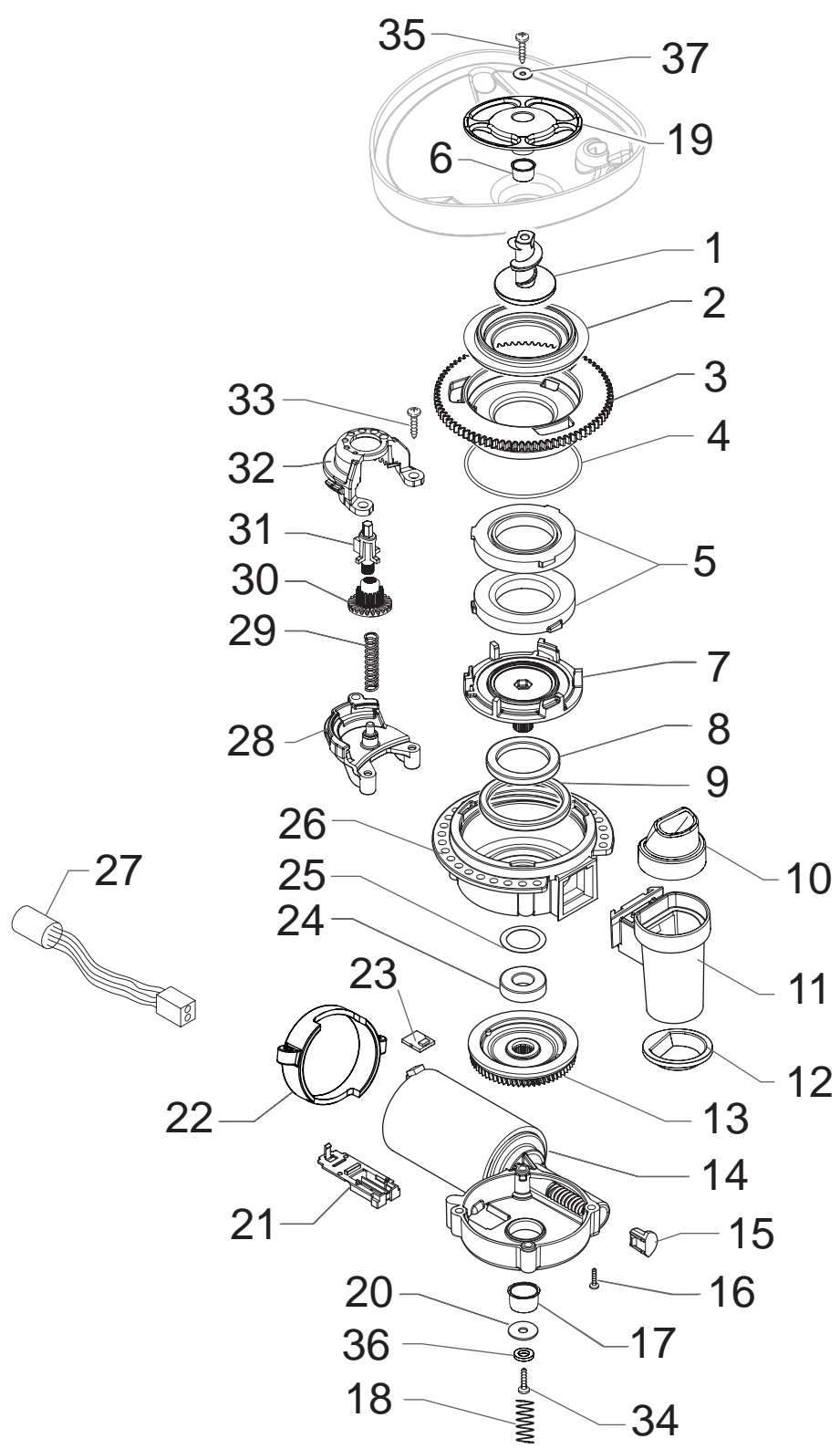


Pos	Article-Nr.	Description
1	11007081	BLACK CONTROL KNOB COVER S/SCR.P0057
2	11012310	BLACK CONTROL KNOB S/SCR.P0057
3	11011280	BLACK COFFEE DISPENSER P0057 ASSY.
4	9011.144	SS FORK FOR TUBE D=4
5	149361200	BLACK SILICONE TUBE 7,5X9,3 IN ROLL
6	11004132	TEFLON TUBE 2X4 L=250 MM ASSY.
7	140328059	OR 2015 IN SILICONE PTFE/FDA
8	11008956	SS DOOR LOCK SPRING G0053
9	11010035	BLACK BIG CUP COFFEE BUTTON P0057
10	11006064	BLACK SMALL CUP COFFEE BUTTON P0057
11	11013011	TRANSP/PMMA LEFT LIGHT GUIDE P0057
12	11004104	KEYBOARD P0057 XSMALL
13	11013012	TRANSP/PMMA RIGHT GUIDE LIGHT P0057
14	11004120	BLACK STEAM/WATER GEAR Z=26 P0057
15	11012385	SILVER TOUCH PANEL V2/ABS1 P0057/B-C
16	11005100	PLATE FOR 4X2 TEFLON TUBE P124
17	11005101	BUSH FOR 4X2 TEFLON TUBE P124
18	12000450	SCREW TCBR TORX 10 3,5X12 PLAST.ZN-N

Pos	Article-Nr.	Description
-----	-------------	-------------

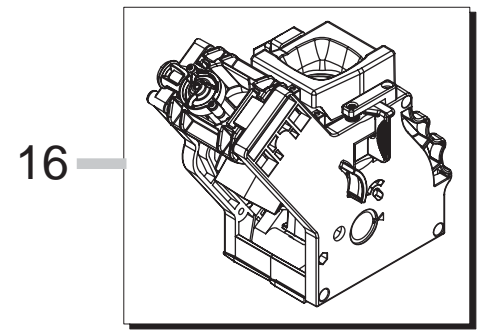
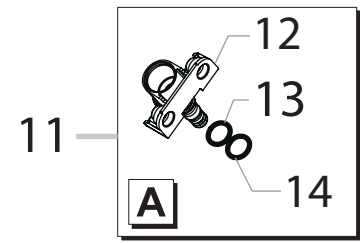
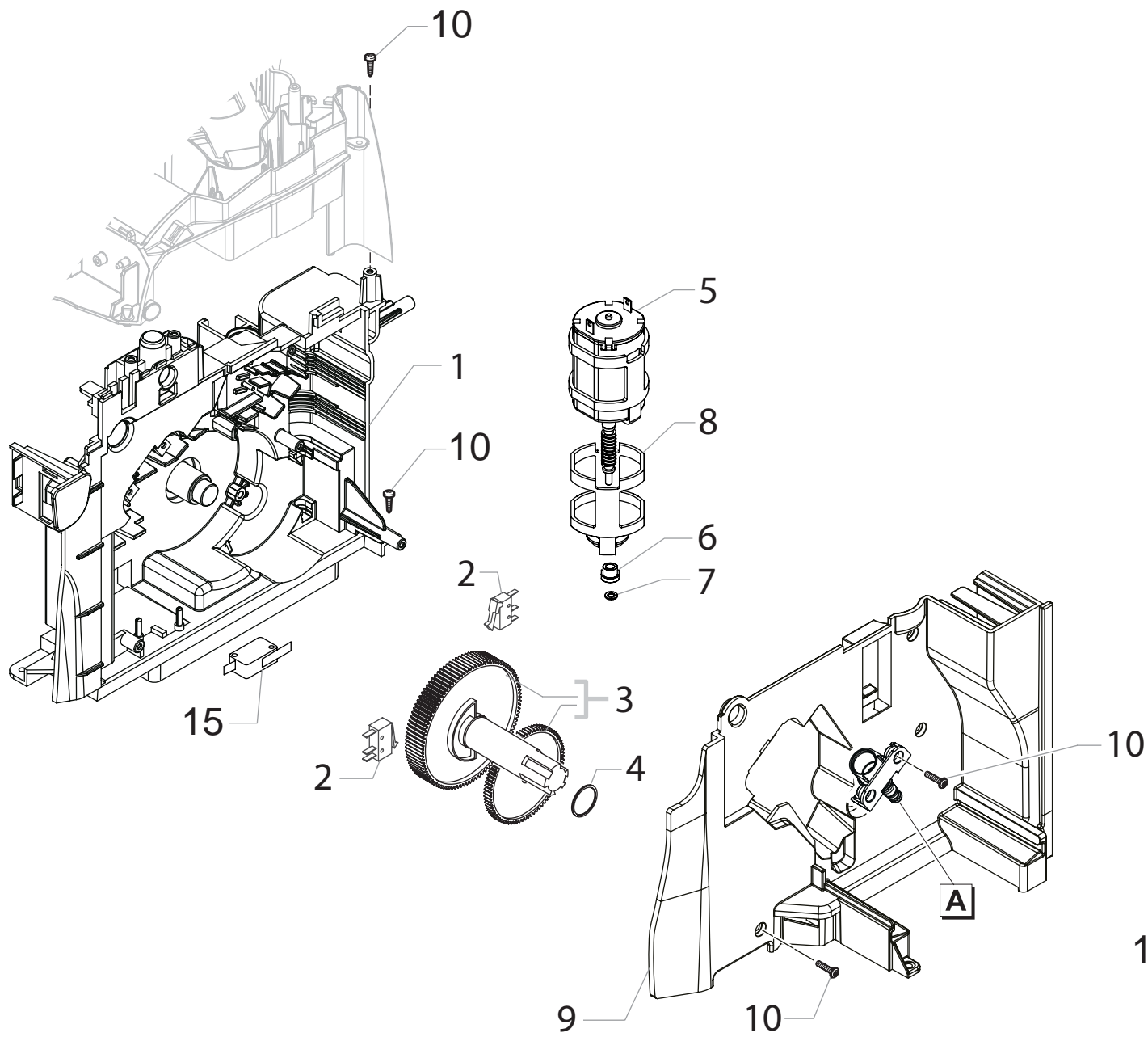


Pos	Article-Nr.	Description	Pos	Article-Nr.	Description
1	11007194	BLACK STEAM TUBE HANDGRIP G0053			
2	11001620	BLACK PANNARELLO INNER TUBE P0049			
3	11001769	BLACK PANNARELLO COVER P0049			
4	11008991	BLACK STEAM TUBE HANDGRIP P604			
5	128210600	ELASTIC WASHER FOR SHAFT D=6MM			
6	11012381	FLOW SELECTOR FAUCET V2 P0057			
7	12000893	BLACK OR METRIC 0120-20 IN EPDM			
8	11008104	MUSHROOM VALVE FOR FLOW SELECTOR P0057			
9	11008105	FLOW SELECTOR VALVE SUPPORT P0057			
10	11008077	STEEL FLOW SELECTOR VALVE SPRING P0057			
11	11008106	FLOW SELECTOR VALVE CAP P0057			
12	12000892	OETIKER CLAMP D=9,5 16700004			
13	11005757	STEAM TUBE SUPPORT P0057			
14	11005758	TF/CHROM.STEAM TUBE P0057 ASSY.			
15	140324461	OR ORM 0060-20 IN TERMOIL			
16	11011127	BLACK PA6 BUSH FOR STEAM TUBE P0057			
17	16000380	5X8,9 SILICONE TUBE IN ROLL			
18	16000540	TRANSPAR.10,5X12,3 SILICONE TUBE IN ROLL			
19	129932502	SCREW TSP 5X30 PLAST.ZN-B			
20	11011341	V4 TUB.BOILER 1300W 230V ASSY.			
20	11011342	V4 TUB.BOILER 1300W 120V ASSY.			
20	11011346	V4 TUB.BOILER 1100W 100V ASSY.			
21	129573202	SCREW TCB TORX 20 M4X8 AUTOFORMING ZN-B			
22	190800100	TEMPERATURE SENSOR NTC UL L=280MM			
23	11003752	BLACK BOILER SUPPORT P0057			
24	189428600	THERMOSTAT 175° 1NT-08L-5125			
25	11007907	TUB.BOILER V5 SIDE THERMOSTATES SPRING			
26	11010166	PLAST-TEA/BR.SAFETY VALVE 16-18 BAR ASSY			
27	JS01.022	SILICONE TUBE 5X10 60SH IN ROLL			
28	149205850	BLACK PUMP SUPPORT TYPE ULKA			
29	11009747	2POLES CONNECTOR PUMP P0057 UL			
30	12000130	ULKA PUMP EP5/S GW 100V-50/60HZ			
30	12000140	ULKA PUMP EP5/S GW 230V-50HZ			
30	12000142	ULKA PUMP EAP5/S 120V-60HZ			
30	12000167	ULKA PUMP EP5/S GW 240V-50HZ			
31	11004220	PUMP SUPPORT SPRING P0057			
32	11005948	3POLES CONNECTOR FLOWMETER P0057			
33	NV99.099	TURBINE D=1,2 932-8521/00 ASSY.			
34	12000450	SCREW TCBR TORX 10 3,5X12 PLAST.ZN-N			
35	11012323	NOMEX PROTECTION FOR POWER BOARD P0057			



Pos	Article-Nr.	Description	Pos	Article-Nr.	Description
1	11010031	TEA/ZAMA INCREASE SCREW GRINDER			
2	145857062	COFFEE GRINDER SEAL P119			
3	149198250	BLK UPPER COFFEEGRINDER GRINDER SUPPORT			
4	140328960	NBR FDA OR METRIC 0530-15			
5	146520100	BAKED CLAY GRINDER 48X28			
6	11012466	BRASS BUSH BEAN CONT.FINGER PROTEC.P0057			
7	149198350	BLK LOWER COFFEEGRINDER GRINDER SUPPORT			
8	123030300	AXIAL BEARING EKKO 342.35252			
9	140360500	FELT RING 45,4X39,4X4			
10	11006226	BLACK BREW UNIT CONDENSE CONVEYOR P0057			
11	11012564	BLK GROUND COFF.OUTLET CONVEYOR V2 ASSY.			
12	145854462	BLK GROUND COFFEE CONT.LOWER SEAL SMART1			
13	226000300	GEAR SX Z=38 FOR GRINDER MOTION ASSY.			
14	11000511	MOTOR COFFEEGRINDER V3.1 120V ASSY.			
14	11000512	MOTOR COFFEEGRINDER V3.1 100V ASSY.			
14	11000513	MOTOR COFFEEGRINDER V3.1 230V ASSY.			
15	149214800	MC V3 MOD=1,25 WORM SCREW CENTRING CAP			
16	129661702	SCREW TCB TORX 3,5X30 PLAST.ZN-B			
17	11002873	INSULATOR BUSH FOR GRINDER MOTOR P124			
18	11000597	COFFEE GRINDER SUPPORT SPRING P124			
19	11012237	BLACK BEAN CONTAIN.FINGER PROTECT.P0057			
20	128381902	STEEL FLAT WASHER DI=4,3 DE=14 SP=1,5			
21	149199050	BLK SENSOR SUPPORT FOR COF.GRINDER MOTOR			
22	11000194	BLACK COFFEEGRINDER MOTOR SUPPORT P124			
23	181540900	ELECTR.BOARD WITH SENSOR HAL506 SF-K			
24	123030200	RADIAL BEARING 61900.2RS1			
25	128381800	STEEL CRINKLE WASHER 21,8X14X0,25			
26	142905450	BLK UPPER BODY WITH COFFEE GROUND OUTLET			
27	11008871	3 POLES CONNECTOR MC SENSOR S0053 UL			
28	11002613	LOWER COFFEEGRINDER GEAR SUPPORT P124			
29	11002572	COFFEEGRINDER REGULATION SPRING P124			
30	11003784	COFFEE GRINDING ADJUSTMENT GEAR P0049			
31	11003446	BLACK BEAN COFFEE GRINDER INSERT P0049			
32	11002508	UPPER COFFEEGRINDER GEAR SUPPORT P124			
33	129914002	SCREW TCB TORX 10 3,5X16 PLAST.ZN-B			
34	129574802	SCREW TCB TORX 20 M4X30 ZN-B			
35	U043.004	ZN-B TCB SCREW M4X16			
36	128310402	GALV.WASHER UNI 8842 A4			
37	128140302	WASHER 4,3X9 UNI 6592 ZNP			
100	11012319	GEN.MOTOR COF.GRIND.ITA P0057 230V ASSY.			
100	11006059	GEN.MOTOR COF.GRINDER STD P0057 230V ASS			
100	11013028	GEN.MOTOR COFF.GRINDER P0057 120V ASSY.			
100	11013029	GEN.MOTOR COFF.GRINDER P0057 100V ASSY.			





Pos	Article-Nr.	Description
1	11006067	BLK RATIOMOTOR MOUNTING PLATE P0057 ASSY
2	NE05.038	MICROSWITCH
3	20000900	SPARES KIT GEARS FOR RATIOMOTOR V2
4	9161.132	MYLAR WASHER FOR RATIOMOTOR
5	11003037	MOTOR FOR RATIOMOTOR ASSY.
6	9121.046	BRONZE SINTERED BUSH FOR MOTOR RATIOMOT.
7	148380200	BAKELIZZATE WASHER D=5,5
8	9121.044	ANTIVIBRATION FOR MOTOR
9	11003754	BLK RATIOMOT.MOUNTING PLATE COVER P0057
10	12000450	SCREW TCBR TORX 10 3,5X12 PLAST.ZN-N
11	11013531	PIN FOR FLOW SELECTOR FAUCET P0057 ASSY.
12	11013530	PIN FOR FLOW SELECTOR FAUCET V2 P0057
13	NM01.035	OR ORM 0090-20 SILICONE
14	NM01.057	OR ORM 0050-20 IN SILICONE
15	NE05.013	MICROSWITCH SAIA XGK52-81-J23
16	11012382	BLACK BREW UNIT 8GR.5BAR P0057

Pos	Article-Nr.	Description
-----	-------------	-------------