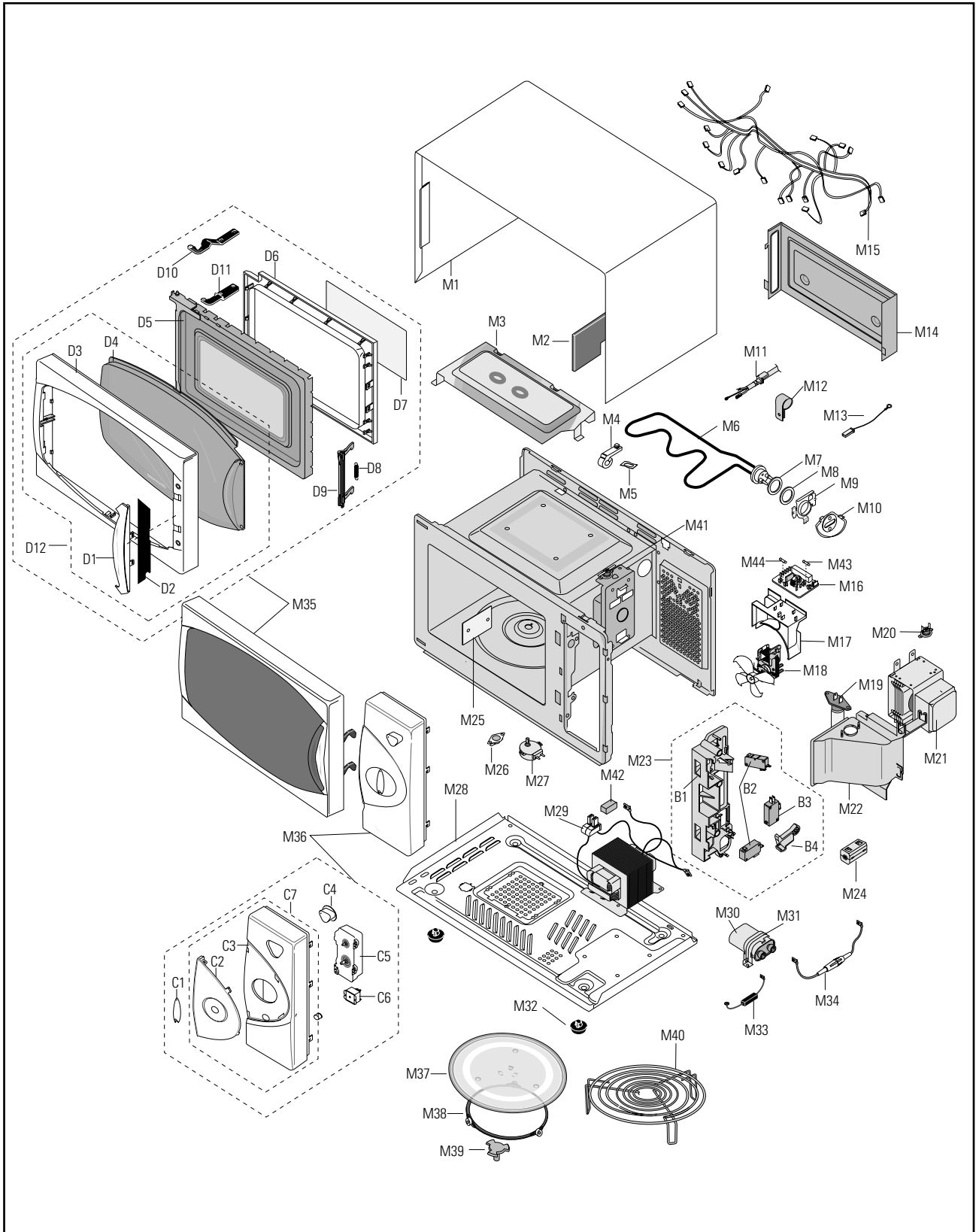






7. Exploded Views and Parts List

7-1 Exploded Views



7-2 Main Parts List

Ref. No.	Parts No.	Description	Specification	Q'ty	Remarks
M 1	DE70-30116W	PANEL-OUTER	SECC,T0.5,W351.7,L1014.7,WHT,M	1	
M 2	DE63-90035M	CUSHION-RUBBER	DFA20,T1.5,W100,L190,-,CE2733,BLK	1	
M 3	DE61-50323A	BRACKET-UPPER	SECC,T0.6,W385,L205,M6245G	1	
M 4	DE61-30008A	SUPPORTER-HEATER	ALUMINA,T12,CE745G	1	
M 5	DE61-70060A	SPRING-PLATE	SK-5,T0.5	1	
M 6	DE47-00004A	HEATER-GRILL	SHG-2733E,-,-,-,-,-,230V1080W	1	
M 7	DE60-40009B	WASHER-TEFLON	SLOT,ID22.2,OD28,T1.2,TEFLON	1	
M 8	DE63-20017A	GASKET-HEATER	BRASS,T1.5,OD30.5,ID22.5	1	
M 9	DE61-50576A	BRACKET-HEATER	STS430,T0.5,W70,L70,-,3RD-W	1	
M10	DE74-80062A	STOPPER-HEATER	SECC,T0.8xW70xL70,-,-,-,3RD-W	1	
M11	DE39-20058L	ASSY POWER CORD	230V50HZ,-,GRY,CE2713/XEF,1.5SQ	1	
M12	DE65-20014A	CABLE CLAMP	DA-6N,NY-66	1	P-CORD
M13	DE39-40409A	WIRE HARNESS-E	230V50HZ,M9G45,CTW	1	H/EART
M14	DE97-00107A	ASSY-COVER BACK	CE2733	1	
M15	DE39-00076A	WIRE HARNESS-A	230V50HZ,-,CE2714,SEF	1	
M16	DE96-00008A	ASSY NOISE FILTER	SN-3WEB,250V10A,3W INRUSH D	1	
M17	DE71-60467A	COVER-BLOWER	PP,-,-,-,3RD-0.7	1	
M18	DE96-00031A	ASSY MOTOR-FAN	SMF-3RDEA,230V50HZ,2400RPM,M1733	1	
M19	4713-001031	LAMP-INCANDESCENT	230V,173mA,40W,ORG,-,-,25x69mm	1	CV/AIR
M20	DE47-20009A	THERMOSTAT	PW2N-520PB,160/60,250V/7.5A,H	1	MG-TCO
M21	OM75PH(31)ESS	ASSY-MAGNETRON	OM75PH(31)ESS	1	
M22	DE71-60457A	COVER-AIR	PP,T1.7,W115.5,L150,WHT,3RD-W0	1	
M23	DE93-20020A	ASSY BODY LATCH	RE-43B/90B	1	
M24	DE73-90027A	FERRITE-CORE	NI-ZN,T13.8,W21.0,L28.0,BNF-14	1	
M25	DE71-60462A	COVER-CEILING	MICA-SHEET,T0.3,W109.2,L114.2,	1	
M26	DE47-20010A	THERMOSTAT	PW-2N(120/60)187Y,250V7.5A,120	1	CAV-TCO
M27	DE31-10154A	MOTOR-DRIVE	M2HJ49ZR02,ST-16,50/60HZ,-	1	
M28	DE80-10003D	BASE-PLATE	SGCC1-Z,T0.8,CE2713/33/CE2714/74,3RD-W	1	
M29	DE26-00010A	TRANS-H.V	SHV-273EG,230V50HZ,2215V/3.40V,-,KE	1	
M30	2501-001104	C-OIL	1uF,2.1KV,BK,54x35x80,20	1	
M31	DE61-50106A	BRACKET-HVC	SECC,T0.8,W31,L125.8	1	
M32	DE61-40017A	FOOT	PP(A353),BLK,MW5630T	2	
M33	DE59-00002A	DIODE-H.V	ESJC13-12B,12KV,MWO ALL,RING&FLAT TERMI	1	
M34	DE91-70061B	ASSY-H.V.FUSE	THV060T-0750-H,5KV0.75A,RED	1	
M35	DE92-40182N	ASSY DOOR	CE2714/XEF,P/WHT,3RD-FISH2 GRILL	1	
M36	DE94-00098B	ASSY CONTROL-BOX	230V50HZ,CE2714/XEF,P-WHT,FISH2,GRILL	1	
M37	DE74-20102B	TRAY-COOKING	GLASS,T5.0,PI288,780G,M745	1	
M38	DE92-90436C	ASSY-GUIDE ROLLER	MW4370W,D16.5,XAREX	1	
M39	DE67-60075A	COUPLER	PPS,7G,BRN,M97G45	1	
M40	DE74-70071B	RACK-WIRE	MSWR3,PI3,PI230,HI80,SNC2	1	
M41	DE47-20032A	THERMOSTAT	PW-2N,85/75	1	GRL-TCO
M42	DE63-00004A	CUSHION-HVT	EPDM,T2,W30,L50,-,BLK,CE2733	1	
M43	3601-000448	FUSE-FERRULE	250V,10A,SB,CERAMIC,6.35X31.8MM	1	
M44	3601-001126	FUSE-FERRULE	250V,1.6A,FA,CERAMIC,5X20MM	1	

● : Option Parts

 : Warning :Electrostatically Sensitive Devices

7-3 Door Parts List

Ref. No.	Parts No.	Description	Specification	Q'ty	Remarks
D 1	DE64-20116B	HANDLE-DOOR	ABS,-,-,-,P/WHT,M1774,3RD-FISH2	1	
D 2	DE01-00099A	FILM-DOOR	PET,T0.13,W23,L177.9,-,M759	1	
D 3	DE64-40277B	DOOR-A	ABS(HR-0370),200G,WHT(W9501),M	1	
D 4	DE64-40278F	SCREEN-DOOR	ACRYL,-,-,-,SMOG,CE2714/XEF,3RD-FISH2	1	
D 5	DE92-50133F	ASSY DOOR-E	CE2733(3RD-0.7),BLK-CAOTING,-,2ND-HINGE	1	
D 6	DE64-40008B	DOOR-C	PP,T1.5,BLK,CE745G	1	
D 7	DE01-00112B	FILM-DOOR	PET,T0.15,W150,L268,NTR,3RD-GRILL	1	
D 8	DE61-70033A	SPRING-KEY	ES,HSWR10,PIO.6,D6.0,L22.3,BLU	1	
D 9	DE64-00028A	DOOR-KEY	POM,BLK,CE2974	1	
D10	DE61-80005A	HINGE-UPPER	SCP1,T2.3,ZN-COATIN,M745	1	
D11	DE61-80004A	HINGE-LOWER	SCP1,T2.3,ZN-COATING,M745	1	
D12	DE92-40196N	ASSY DOOR-A	CE2714/XEF,P/WHT,3RD-FISH2 GRILL SUB PART	1	

7-4 Control Parts List

Ref. No.	Parts No.	Description	Specification	Q'ty	Remarks
C 1	DE64-00008A	KNOB-TIMER	ABS(HR0370),P-WHT,M1714	1	
C 2	DE71-00006B	COVER-PANEL	ABS(HR0370),-,-,-,P-WHT,CE2714	1	
C 3	DE72-00010B	CONTROL-PANEL	CE2714/XEF,-,-,-,P-WHT,FISH2-GRILL	1	
C 4	DE64-00006A	KNOB-POWER	ABS,10G,WHT,-,M1974	1	
C 5	DE45-00005A	TIMER	TMFK60M1B1,-,-,-,FISH-DESIGN,-,-,310-GRILL	1	
C 6	3501-000309	RELAY-POWER	240V,3750VA,15A,-,6mS,20mS	1	
C 7	DE94-00188B	ASSY CONTROL-PANEL	230V50HZ,CE2714/XEF,P/WHT,3RD-FISH2,GRIL	1	

7-5 Body Latch Parts List

Ref. No.	Parts No.	Description	Specification	Q'ty	Remarks
B 1	DE66-40021A	LATCH-BODY	POM(F20-02),50G,RE-330	1	
B 2	3405-000178	SWITCH-MICRO	250V,15A,200gf,SPST-NO	2	
B 3	3405-000175	SWITCH-MICRO	250V,15A,200gf,SPST-NO	1	
B 4	DE66-90054A	LEVER-SWITCH	POM(F20-02),15G,NTR,RE-330	1	

7-6 Standard Parts List

Parts No.	Description	Specification	Q'ty	Remarks
DE60-10012A	SCREW-TAP TITE	TH,+3,M4,L10,SWR10,ZPC2,TOOTH	1	P-CORD
DE60-10018A	SCREW-ASSY MACHINE	PH,M4X0.7P,8,MSWR10,SN1,WS	2	BKT-HEATER
DE60-10045A	SCREW-TAP PH	PH,M3,L6,FEFZY	1	GRL-TCO
DE60-10080A	SCREW-WASHER	M5,L12,2S	4	HVT
DE60-10080A	SCREW-WASHER	M5,L12,2S	4	MGT
DE60-10082H	SCREW-A	2S-4X12,TOOTHED	2	B-LATCH
DE60-10082H	SCREW-A	2S-4X12,TOOTHED	3	B-PLATE
DE60-10082H	SCREW-A	2S-4X12,TOOTHED	3	BKT-UPPER
DE60-10082H	SCREW-A	2S-4X12,TOOTHED	1	C-BLOWER
DE60-10082H	SCREW-A	2S-4X12,TOOTHED	1	C-CLAMP
DE60-10082H	SCREW-A	2S-4X12,TOOTHED	1	CON-BOX
DE60-10082H	SCREW-A	2S-4X12,TOOTHED	1	COVER-AIR
DE60-10082H	SCREW-A	2S-4X12,TOOTHED	4	OUT-PANEL
DE60-10098A	SCREW-ASSY TAP TITE	PH,TC,M4X8,SWRCH18A,ZPC2,GLD,W	1	CVT-TCO
DE60-10098A	SCREW-ASSY TAP TITE	PH,TC,M4X8,SWRCH18A,ZPC2,GLD,W	2	D-MOTOR
DE60-10098A	SCREW-ASSY TAP TITE	PH,TC,M4X8,SWRCH18A,ZPC2,GLD,W	2	MGT-TCO
DE60-10122A	SCREW-TAP TH	TAP,TH,2-4X8,FE,FN	1	CV-CEILING
DE60-10122A	SCREW-TAP TH	TAP,TH,2-4X8,FE,FN	1	P-OUTER
DE60-10195A	SCREW-STAR POLE	TH,*2,4,12,SWCH18A,ZNC	2	C-BACK
DE60-20063A	BOLT-FLANGE	M4,10,ZPC3,YEL,MSWR	2	H/LOWER
DE60-20063A	BOLT-FLANGE	M4,10,ZPC3,YEL,MSWR	2	H/UPPER
DE60-30016A	NUT-FLANGE	M4,MSWR10	2	F-MOTOR
DE60-10069A	SCREW-TAP TH	TH,M4,L10,FRFZY	2	SCR/DOOR
DE60-10098A	SCREW-ASSY TAP TITE	PH,TC,M4X8,SWRCH18A,ZPC2,GLD,W	1	-
DE60-10012A	SCREW-TAP TITE	TH,+3,M4,L10,SWR10,ZPC2,TOOTH	1	A/B-PLATE
DE60-10069A	SCREW-TAP TH	TH,M4,L10,FRFZY	1	RELAY
DE60-10069A	SCREW-TAP TH	TH,M4,L10,FRFZY	4	TIMER