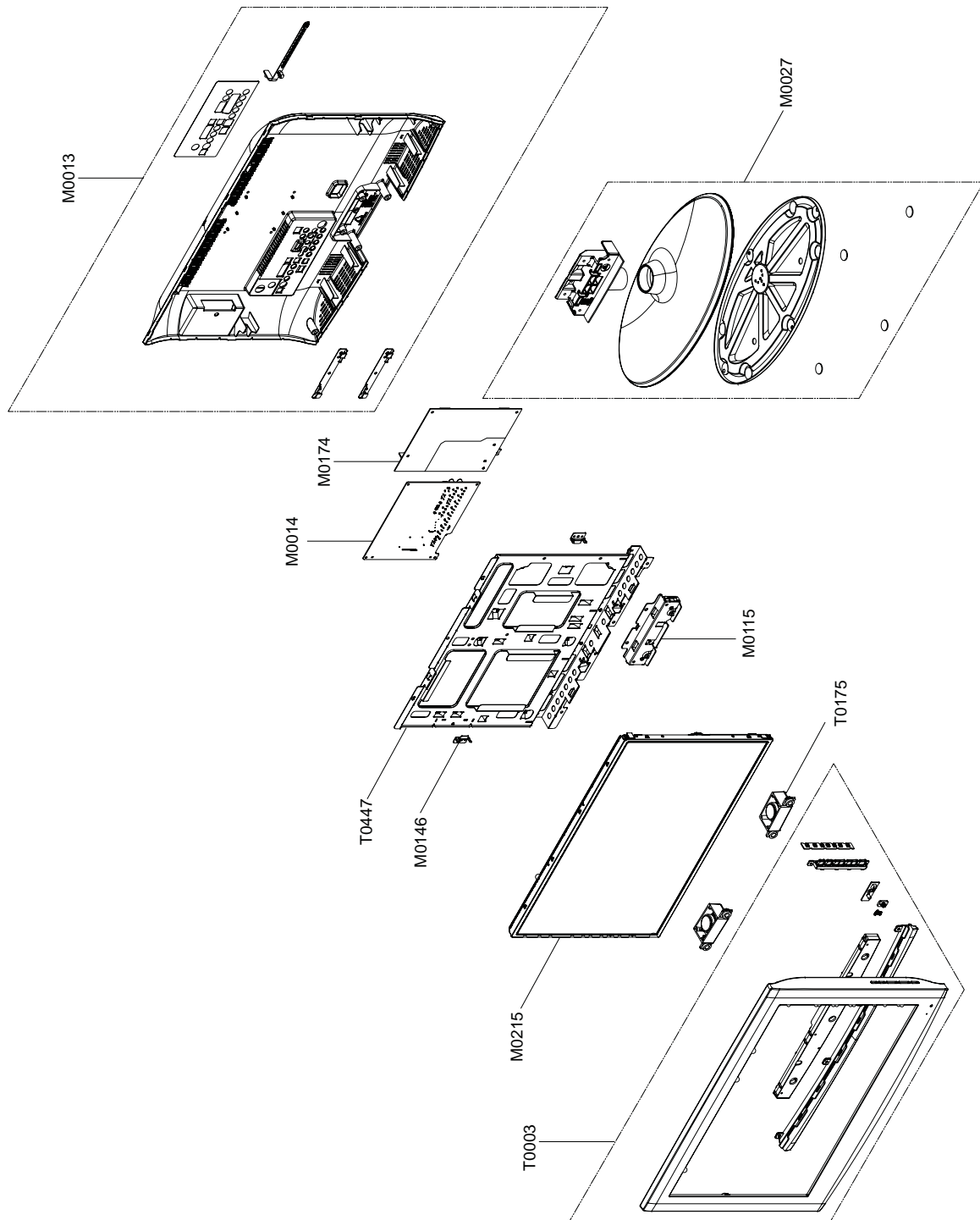


5. Exploded View & Part List

5-1. LE22A45*C** Exploded View



5-1-2. LE22A45*C Parts List**

Location No.	Code No.	Description & Specification	Q'ty	S.A/S.N.A	Remark
T0003	BN96-06782Q	ASSY COVER P-FRONT;22L450,EO(iDTV),ABS+P	1	S.A	
M0215	BN07-00487A	LCD-PANEL;LTM220M1-L01-2	1	S.A	
T0175	BN96-06823A	ASSY SPEAKER P;16ohm,CORAL,LCD 22"/19",3	1	S.A	
M0115	BN61-02947A	BRACKET-STAND LINK;JASMINE 32",SECC,T1.6	1	S.N.A	
M0014	BN94-02015C	ASSY PCB MAIN-AMLCD;LE22A455C1DXXC,AMLCD	1	S.A	
M0174	BN44-00232A	IP BOARD;IP-54135T,L650,1.4~2.8mA,6.8~8.	1	S.A	
M0013	BN96-07359D	ASSY COVER P-REAR;22L450,EO(iDTV),HIPS,H	1	S.A	
M0027	BN96-06463F	ASSY STAND P-BASE;22,26L450,ABS+PMMA,HB,	1	S.A	

5-2. LE22A45*C** Parts List

Level	Location No.	Code No.	Description & Specification	Q'ty	SA/SNA	Remark
		LE22A457C1DXXC	LE22A457C1D,N48A/22AC1-GCR,22,LCD-TV,UNI			
0.1	M0001	BN90-01499R	ASSY COVER FRONT;22L450,EO(iDTV),BLACK	1	S.N.A	
..2	T0003	BN96-06782Q	ASSY COVER P-FRONT;22L450,EO(iDTV),ABS+P	1	S.A	
...3	M0081	6003-001188	SCREW-TAPTITE;BH,+,-,B,M4,L10,ZPC(WHT),S	1	S.N.A	
...3	M0081	6003-001188	SCREW-TAPTITE;BH,+,-,B,M4,L10,ZPC(WHT),S	2	S.N.A	
...3	M0279	AA63-01637A	FELT;50P9,FELT,0.5,10,80	1	S.N.A	
...3		BN61-03261B	BOSS-TAPE;Tulip,ACRYL,T1.1,W20mm,GRAY,TA	0.38	S.N.A	
...3		BN61-03752C	HOLDER-BOSS BOTTOM;22L450,HIPS,HB,BLK	1	S.N.A	
...3		BN63-01151C	FELT-NON WOVEN;SP20UO,FELT,T0.5,5,450	1	S.N.A	
...3	CCM1	BN63-02183D	COVER-SHEET;Rhcm,PE Vinyl,T0.05,680mm,20	0.47	S.N.A	
...3	M0112	BN63-04233K	COVER-FRONT;22L450,EO(iDTV),ABS+PMMA,HB,	1	S.N.A	
...3	T0059	BN64-00379A	INDICATOR LED;ROME-II,23,PC,CLEAR	1	S.N.A	
...3	T0061	BN64-00453A	WINDOW-REMOCON;32R71,PC,VIOLET,DIFFUSER(1	S.N.A	
...3	T0022	BN64-00755A	KNOB-CONTROL;32L450,ABS,V0,BK07	1	S.N.A	
...3		BN64-00791A	DECORATION-BOTTOM;L450 22INCH,PC,-,-,-,-	1	S.N.A	
...3	M0145	BN96-07269A	ASSY BOARD P-FUNCTION;LN40A450C1D,CT5000	1	S.A	
...3	M0146	BN96-07270B	ASSY BOARD P-POWER & IR;LN22A450C1D,CT50	1	S.A	
..2	T0175	BN96-06823A	ASSY SPEAKER P;16ohm,CORAL,LCD 22"/19",3	1	S.A	
0.1	M0216	BN90-01510A	ASSY STAND;22L450,UO,,,	1	S.N.A	
..2	M0027	BN96-06463F	ASSY STAND P-BASE;22,26L450,ABS+PMMA,HB,	1	S.A	
...3	T0081	6002-001294	SCREW-TAPPING;BH,+,,M4,L16,ZPC(BLK)	4	S.N.A	
...3	M0081	6003-001239	SCREW-TAPTITE;FH,+,-,B,M4,L10,ZPC(WHT),S	4	S.N.A	
...3		BN61-02954A	BRACKET-STAND BOTTOM;23,26 BORDEAUX PLUS	1	S.N.A	
...3	T0920	BN61-03680C	GUIDE-STAND;22,26L450,ABS,V0(NT),BLK	1	S.N.A	
...3	CCM1	BN63-02183D	COVER-SHEET;Rhcm,PE Vinyl,T0.05,680mm,20	0.4	S.N.A	
...3	T0004	BN63-03122A	COVER-STAND BASE;23,26R81,ABS+PMMA,-,-,-	1	S.N.A	
...3	M0126	BN73-00052C	RUBBER-FOOT;LCD TV,CR RUBBER,T2.0 DIA19,	4	S.N.A	
0.1	M0002	BN90-01597D	ASSY COVER REAR;22L450,EO(iDTV)	1	S.N.A	
..2	T0081	6002-001294	SCREW-TAPPING;BH,+,,M4,L16,ZPC(BLK)	3	S.N.A	
..2	M0013	BN96-07359D	ASSY COVER P-REAR;22L450,EO(iDTV),HIPS,H	1	S.A	
...3	T0069	AA60-00091M	SPACER-FELT;-,FELT,35X10,-,-,BLK,T0.5,-,	4	S.N.A	
...3	M0006	BN63-04455D	COVER-REAR;22L450,EO(iDTV),HIPS,HB,BK500	1	S.N.A	
...3	T0071	BN64-00840A	INLAY-TERMINAL;22L650,EO(iDTV),PS SHEET,	1	S.N.A	
...3	T0064	BN65-00002A	CLAMPER CORE;BORDEAUX,LDPE,-,-,BLK,-	1	S.N.A	
...3	T0069	BN60-00027C	SPACER-FELT;19R7,FELT,90,T0.35,10	2	S.N.A	
...3	M0113	BN61-02621A	BRACKET-VESA;19R7,SECC,T1.0	2	S.N.A	
0.1		BN91-02202A	ASSY LCD-AMLCD;BN07-00487A	1	S.N.A	
..2	M0215	BN07-00487A	LCD-PANEL;LTM220M1-L01-2	1	S.A	
0.1	M0017	BN91-02502A	ASSY CHASSIS;LE22A455C1DXXC,AMLCD	1	S.N.A	
..2	M0014	BN94-02015C	ASSY PCB MAIN-AMLCD;LE22A455C1DXXC,AMLCD	1	S.N.A	
...3		0202-001557	SOLDER-CREAM;LST57-A,D38-63,42SN/57BI/1A	11	S.N.A	
...3	T0245	0202-001608	SOLDER-WIRE FLUX;LFC7-107,D0.8,99.3Sn/0.	0.25	S.N.A	
...3	JA3004	3701-001480	CONNECTOR-DSUB;15P,3R,FEMAIL,STAMPED PIN	1	S.A	

5. Exploded View & Part List

Level	Location No.	Code No.	Description & Specification	Q'ty	SA/SNA	Remark
...3	CN906	3707-001081	CONNECTOR-OPTICAL;STRAIGHT,SPDIF	1	S.A	
...3	JA7201_OP	3709-001508	CONNECTOR-CARD SLOT;68P,1.27mm,PIN,PCMCIA	1	S.A	
...3	CN330	3711-000058	HEADER-BOARD TO CABLE;BOX,4P,1R,2.5MM,AN	1	S.N.A	
...3	CN330	3711-004531	HEADER-BOARD TO CABLE;BOX,10P,1R,2mm,ANG	1	S.A	
...3	CN330	3711-004712	HEADER-BOARD TO CABLE;BOX,9P,1R,2mm,STRA	1	S.N.A	
...3	CN330	3711-006767	HEADER-BOARD TO CABLE;BOX,30P,2R,2mm,STR	1	S.N.A	
...3	JA3201	3722-000498	JACK-SCART;21P,-,SN,BLK,NO	1	S.A	
...3	JA330	3722-001061	JACK-PHONE;1P,3.6PI,AG,BLK,N	1	S.A	
...3	JA330	3722-001061	JACK-PHONE;1P,3.6PI,AG,BLK,N	1	S.A	
...3	JA330	3722-001061	JACK-PHONE;1P,3.6PI,AG,BLK,N	1	S.A	
...3	JA333	3722-002691	JACK-PIN;2P,Ni,WHT/RED,STRAIGHT	1	S.A	
...3	JA333	3722-002691	JACK-PIN;2P,Ni,WHT/RED,STRAIGHT	1	S.A	
...3	JA333	3722-002699	JACK-PIN;3P,Ni,YEL/WHT/RED,STRAIGHT	1	S.A	
...3	JA333	3722-002703	JACK-PIN;3P,Ni,GRN/BLU/RED,STRAIGHT	1	S.A	
...3	CIS3	BN40-00120A	TUNER;TDHG6-K10A,TDHG6-K10A,DVB-T,181CH,	1	S.A	
...3	T0603	BN63-02494A	SHIELD-PCB MAIN;MOSEL 40",SPT, T0.3,EURO	1	S.N.A	
...3	CIS02	BN73-00024C	SILICON/RUBBER-BERGQUIST;VENUS 32,40",SI	1	S.N.A	
...3	CCMM1	BN73-00024D	SILICON/RUBBER;BORDEAUX,SILICON,28x28XT6	1	S.N.A	
...3	HDCP	BN97-00688A	ASSY HDCP;BN46-00018A,PS-42V6S,D73A,GENE	1	S.N.A	
...4		BN46-00018A	KEY CODE-CERTIFICATE;(HDCP KEY)PPM42M5S,	1	S.N.A	
...3	T0603	BN97-02403C	ASSY SMD-AMLCD;LE22A455C1DXXC,AMLCD_07	1	S.N.A	
...4	SUB05	0202-001477	SOLDER-CREAM;LST309-M,-,D20-45um,96.5Sn/	2.197	S.N.A	
...4	D2012	0401-000133	DIODE-SWITCHING;RLS4148,75V,150mA,LL-34,	1	S.A	
...4	D2019	0401-000133	DIODE-SWITCHING;RLS4148,75V,150mA,LL-34,	1	S.A	
...4	D3244	0401-000133	DIODE-SWITCHING;RLS4148,75V,150mA,LL-34,	1	S.A	
...4	D1004	0401-001056	DIODE-SWITCHING;MMBD4148SE,100V,200mA,SO	1	S.A	
...4	D3016	0401-001056	DIODE-SWITCHING;MMBD4148SE,100V,200mA,SO	1	S.A	
...4	D3017	0401-001056	DIODE-SWITCHING;MMBD4148SE,100V,200mA,SO	1	S.A	
...4	D3045	0401-001056	DIODE-SWITCHING;MMBD4148SE,100V,200mA,SO	1	S.A	
...4	D3046	0401-001056	DIODE-SWITCHING;MMBD4148SE,100V,200mA,SO	1	S.A	
...4	D3047	0401-001056	DIODE-SWITCHING;MMBD4148SE,100V,200mA,SO	1	S.A	
...4	D3061	0401-001056	DIODE-SWITCHING;MMBD4148SE,100V,200mA,SO	1	S.A	
...4	D3062	0401-001056	DIODE-SWITCHING;MMBD4148SE,100V,200mA,SO	1	S.A	
...4	D3064	0401-001056	DIODE-SWITCHING;MMBD4148SE,100V,200mA,SO	1	S.A	
...4	D3066	0401-001056	DIODE-SWITCHING;MMBD4148SE,100V,200mA,SO	1	S.A	
...4	D3202	0401-001056	DIODE-SWITCHING;MMBD4148SE,100V,200mA,SO	1	S.A	
...4	D3203	0401-001056	DIODE-SWITCHING;MMBD4148SE,100V,200mA,SO	1	S.A	
...4	D3204	0401-001056	DIODE-SWITCHING;MMBD4148SE,100V,200mA,SO	1	S.A	
...4	D3205	0401-001056	DIODE-SWITCHING;MMBD4148SE,100V,200mA,SO	1	S.A	
...4	D3206	0401-001056	DIODE-SWITCHING;MMBD4148SE,100V,200mA,SO	1	S.A	
...4	D3207	0401-001056	DIODE-SWITCHING;MMBD4148SE,100V,200mA,SO	1	S.A	
...4	D3217	0401-001056	DIODE-SWITCHING;MMBD4148SE,100V,200mA,SO	1	S.A	
...4	D3218	0401-001056	DIODE-SWITCHING;MMBD4148SE,100V,200mA,SO	1	S.A	
...4	D3219	0401-001056	DIODE-SWITCHING;MMBD4148SE,100V,200mA,SO	1	S.A	
...4	D3230	0401-001056	DIODE-SWITCHING;MMBD4148SE,100V,200mA,SO	1	S.A	
...4	D3236	0401-001056	DIODE-SWITCHING;MMBD4148SE,100V,200mA,SO	1	S.A	
...4	D2001	0401-001099	DIODE-SWITCHING;1N4148WS,75V,150mA,SOD-3	1	S.N.A	
...4	D3063	0401-001099	DIODE-SWITCHING;1N4148WS,75V,150mA,SOD-3	1	S.N.A	
...4	D3065	0401-001099	DIODE-SWITCHING;1N4148WS,75V,150mA,SOD-3	1	S.N.A	
...4	D3067	0401-001099	DIODE-SWITCHING;1N4148WS,75V,150mA,SOD-3	1	S.N.A	
...4	D0254	0402-000553	DIODE-SCHOTTKY;SS24/B240,40V,2000mA,DO-2	1	S.A	

5. Exploded View & Part List

Level	Location No.	Code No.	Description & Specification	Q'ty	SA/SNA	Remark
...4	D3048	0403-000002	DIODE-ZENER;VLZ5V6B,5.45/5.73V,500mW,SOD	1	S.A	
...4	D3049	0403-000002	DIODE-ZENER;VLZ5V6B,5.45/5.73V,500mW,SOD	1	S.A	
...4	D3050	0403-000002	DIODE-ZENER;VLZ5V6B,5.45/5.73V,500mW,SOD	1	S.A	
...4	D3051	0403-000002	DIODE-ZENER;VLZ5V6B,5.45/5.73V,500mW,SOD	1	S.A	
...4	D3052	0403-000002	DIODE-ZENER;VLZ5V6B,5.45/5.73V,500mW,SOD	1	S.A	
...4	D5001	0403-000002	DIODE-ZENER;VLZ5V6B,5.45/5.73V,500mW,SOD	1	S.A	
...4	D3070	0403-000258	DIODE-ZENER;BZX84C5V6,5.2-6V,225mW,SOT-2	1	S.A	
...4	D3216	0403-000607	DIODE-ZENER;VLZ16C,15.69/16.51V,500mW,SO	1	S.A	
...4	D3015	0403-000771	DIODE-ZENER;VLZ6V2B,5.96-6.27V,500mW,SOD	1	S.A	
...4	D5002	0403-000771	DIODE-ZENER;VLZ6V2B,5.96-6.27V,500mW,SOD	1	S.A	
...4	D3014	0403-001052	DIODE-ZENER;RD8.2MB,7.7-8.7V,200mW,SOT-2	1	S.A	
...4	D5201	0403-001052	DIODE-ZENER;RD8.2MB,7.7-8.7V,200mW,SOT-2	1	S.A	
...4	D1005	0403-001425	DIODE-ZENER;BZX84C33,31-35V,350mW,SOT-23	1	S.A	
...4	D0254	0404-001271	DIODE-SCHOTTKY;SSA34,40V,3000mA,SMA,TP	1	S.A	
...4	D3053	0406-001172	DIODE-TVS;CDS3C30GTH,48/-/50V,SMD	1	S.A	
...4	D3054	0406-001172	DIODE-TVS;CDS3C30GTH,48/-/50V,SMD	1	S.A	
...4	D3055	0406-001172	DIODE-TVS;CDS3C30GTH,48/-/50V,SMD	1	S.A	
...4	D3056	0406-001172	DIODE-TVS;CDS3C30GTH,48/-/50V,SMD	1	S.A	
...4	D3057	0406-001172	DIODE-TVS;CDS3C30GTH,48/-/50V,SMD	1	S.A	
...4	D3058	0406-001172	DIODE-TVS;CDS3C30GTH,48/-/50V,SMD	1	S.A	
...4	D3068	0406-001172	DIODE-TVS;CDS3C30GTH,48/-/50V,SMD	1	S.A	
...4	D3069	0406-001172	DIODE-TVS;CDS3C30GTH,48/-/50V,SMD	1	S.A	
...4	D3212_EU	0406-001172	DIODE-TVS;CDS3C30GTH,48/-/50V,SMD	1	S.A	
...4	D3213	0406-001172	DIODE-TVS;CDS3C30GTH,48/-/50V,SMD	1	S.A	
...4	D3214_EU	0406-001172	DIODE-TVS;CDS3C30GTH,48/-/50V,SMD	1	S.A	
...4	D3215	0406-001172	DIODE-TVS;CDS3C30GTH,48/-/50V,SMD	1	S.A	
...4	D3220	0406-001172	DIODE-TVS;CDS3C30GTH,48/-/50V,SMD	1	S.A	
...4	D3221	0406-001172	DIODE-TVS;CDS3C30GTH,48/-/50V,SMD	1	S.A	
...4	D3222_EU	0406-001172	DIODE-TVS;CDS3C30GTH,48/-/50V,SMD	1	S.A	
...4	D3231	0406-001172	DIODE-TVS;CDS3C30GTH,48/-/50V,SMD	1	S.A	
...4	D3232	0406-001172	DIODE-TVS;CDS3C30GTH,48/-/50V,SMD	1	S.A	
...4	D3233	0406-001172	DIODE-TVS;CDS3C30GTH,48/-/50V,SMD	1	S.A	
...4	D3237	0406-001172	DIODE-TVS;CDS3C30GTH,48/-/50V,SMD	1	S.A	
...4	D3238	0406-001172	DIODE-TVS;CDS3C30GTH,48/-/50V,SMD	1	S.A	
...4	D3019	0406-001271	DIODE-TVS;RCLAMP0524P,6/-/V,150W,SLP251	1	S.A	
...4	D3021	0406-001271	DIODE-TVS;RCLAMP0524P,6/-/V,150W,SLP251	1	S.A	
...4	D2013	0407-000123	DIODE-ARRAY;DAN202K,80V,100mA,CA2-3,SOT-	1	S.N.A	
...4	D3071	0407-000123	DIODE-ARRAY;DAN202K,80V,100mA,CA2-3,SOT-	1	S.N.A	
...4	D7201	0407-000123	DIODE-ARRAY;DAN202K,80V,100mA,CA2-3,SOT-	1	S.N.A	
...4	D7202	0407-000123	DIODE-ARRAY;DAN202K,80V,100mA,CA2-3,SOT-	1	S.N.A	
...4	D7203	0407-000123	DIODE-ARRAY;DAN202K,80V,100mA,CA2-3,SOT-	1	S.N.A	
...4	D7204	0407-000123	DIODE-ARRAY;DAN202K,80V,100mA,CA2-3,SOT-	1	S.N.A	
...4	D7205	0407-000123	DIODE-ARRAY;DAN202K,80V,100mA,CA2-3,SOT-	1	S.N.A	
...4	D7206	0407-000123	DIODE-ARRAY;DAN202K,80V,100mA,CA2-3,SOT-	1	S.N.A	
...4	Q7001	0501-000002	TR-SMALL SIGNAL;KSA812,PNP,150MW,SOT-23,	1	S.A	
...4	Q7002	0501-000002	TR-SMALL SIGNAL;KSA812,PNP,150MW,SOT-23,	1	S.A	
...4	Q7402	0501-000434	TR-SMALL SIGNAL;KTC3875S-GR,NPN,150mW,SO	1	S.A	
...4	Q1001	0501-000445	TR-SMALL SIGNAL;KTC3875S-Y,NPN,150mW,SOT	1	S.A	
...4	Q2001	0501-000445	TR-SMALL SIGNAL;KTC3875S-Y,NPN,150mW,SOT	1	S.A	
...4	Q2002	0501-000445	TR-SMALL SIGNAL;KTC3875S-Y,NPN,150mW,SOT	1	S.A	
...4	Q2003	0501-000445	TR-SMALL SIGNAL;KTC3875S-Y,NPN,150mW,SOT	1	S.A	

5. Exploded View & Part List

Level	Location No.	Code No.	Description & Specification	Q'ty	SA/SNA	Remark
...4	Q2004	0501-000445	TR-SMALL SIGNAL;KTC3875S-Y,NPN,150mW,SOT	1	S.A	
...4	Q2007	0501-000445	TR-SMALL SIGNAL;KTC3875S-Y,NPN,150mW,SOT	1	S.A	
...4	Q2008	0501-000445	TR-SMALL SIGNAL;KTC3875S-Y,NPN,150mW,SOT	1	S.A	
...4	Q2009	0501-000445	TR-SMALL SIGNAL;KTC3875S-Y,NPN,150mW,SOT	1	S.A	
...4	Q3006	0501-000445	TR-SMALL SIGNAL;KTC3875S-Y,NPN,150mW,SOT	1	S.A	
...4	Q3007	0501-000445	TR-SMALL SIGNAL;KTC3875S-Y,NPN,150mW,SOT	1	S.A	
...4	Q3207	0501-000445	TR-SMALL SIGNAL;KTC3875S-Y,NPN,150mW,SOT	1	S.A	
...4	Q3208	0501-000445	TR-SMALL SIGNAL;KTC3875S-Y,NPN,150mW,SOT	1	S.A	
...4	Q5002	0501-000445	TR-SMALL SIGNAL;KTC3875S-Y,NPN,150mW,SOT	1	S.A	
...4	Q2005	0501-000669	TR-SMALL SIGNAL;KTA1505Y,PNP,150mW,SOT-2	1	S.A	
...4	Q2006	0501-000669	TR-SMALL SIGNAL;KTA1505Y,PNP,150mW,SOT-2	1	S.A	
...4	Q3205	0501-000669	TR-SMALL SIGNAL;KTA1505Y,PNP,150mW,SOT-2	1	S.A	
...4	Q1004	0501-002080	TR-SMALL SIGNAL;2SC2412K,NPN,200mW,SC-59	1	S.A	
...4	Q1010	0501-002080	TR-SMALL SIGNAL;2SC2412K,NPN,200mW,SC-59	1	S.A	
...4	Q1011	0501-002080	TR-SMALL SIGNAL;2SC2412K,NPN,200mW,SC-59	1	S.A	
...4	Q1012	0501-002080	TR-SMALL SIGNAL;2SC2412K,NPN,200mW,SC-59	1	S.A	
...4	Q1013	0501-002080	TR-SMALL SIGNAL;2SC2412K,NPN,200mW,SC-59	1	S.A	
...4	Q3204	0501-002080	TR-SMALL SIGNAL;2SC2412K,NPN,200mW,SC-59	1	S.A	
...4	Q3206	0501-002080	TR-SMALL SIGNAL;2SC2412K,NPN,200mW,SC-59	1	S.A	
...4	Q409	0505-000110	FET-SILICON;2N7002,N,60V,115mA,7.5ohm,0.	1	S.A	
...4	Q409	0505-000110	FET-SILICON;2N7002,N,60V,115mA,7.5ohm,0.	1	S.A	
...4	Q409	0505-000110	FET-SILICON;2N7002,N,60V,115mA,7.5ohm,0.	1	S.A	
...4	Q409	0505-000110	FET-SILICON;2N7002,N,60V,115mA,7.5ohm,0.	1	S.A	
...4	Q409	0505-000110	FET-SILICON;2N7002,N,60V,115mA,7.5ohm,0.	1	S.A	
...4	Q409	0505-000110	FET-SILICON;2N7002,N,60V,115mA,7.5ohm,0.	1	S.A	
...4	Q409	0505-000110	FET-SILICON;2N7002,N,60V,115mA,7.5ohm,0.	1	S.A	
...4	Q409	0505-000110	FET-SILICON;2N7002,N,60V,115mA,7.5ohm,0.	1	S.A	
...4	Q409	0505-000110	FET-SILICON;2N7002,N,60V,115mA,7.5ohm,0.	1	S.A	
...4	Q409	0505-000110	FET-SILICON;2N7002,N,60V,115mA,7.5ohm,0.	1	S.A	
...4	Q409	0505-001170	FET-SILICON;SI9933ADY-T1,P,-20V,3.4A,0.0	1	S.A	
...4	Q409	0505-001170	FET-SILICON;SI9933ADY-T1,P,-20V,3.4A,0.0	1	S.A	
...4	IC104	0801-002095	IC-CMOS LOGIC;74LCX245,TRANSCEIVER,TSSOP	1	S.A	
...4	IC104	0801-002172	IC-CMOS LOGIC;74LCX16244,BUFFER/LINE DRI	1	S.A	
...4	IC104	0801-002172	IC-CMOS LOGIC;74LCX16244,BUFFER/LINE DRI	1	S.A	
...4	IC104	0801-002172	IC-CMOS LOGIC;74LCX16244,BUFFER/LINE DRI	1	S.A	
...4	IC104	0801-002432	IC-CMOS LOGIC;74LVC244,8BIT BUFFER/DRIVE	1	S.N.A	
...4	IC104	0801-002630	IC-CMOS LOGIC;74AHCT1G08,2-INPUT AND GAT	1	S.A	
...4	IC104	0801-002633	IC-CMOS LOGIC;7WBD3125,2bit BUS SWITCH,S	1	S.A	
...4	IC104	0801-002633	IC-CMOS LOGIC;7WBD3125,2bit BUS SWITCH,S	1	S.A	
...4	IC104	0801-003239	IC-CMOS LOGIC;74LVC1G00,2-input NAND Gat	1	S.A	
...4	IC104	0801-003239	IC-CMOS LOGIC;74LVC1G00,2-input NAND Gat	1	S.A	
...4	IC2002	1001-000164	IC-ANALOG MULTIPLEX;74HC4052,CMOS,SOP,16	1	S.A	
...4	IC106	1001-001082	IC-VIDEO SWITCH;BA7657F,-,SOP,24P,300MIL	1	S.A	
...4	IC3011	1001-001109	IC-ANALOG SWITCH;FST3125M,BUS SWITCH & C	1	S.A	
...4	IC107	1002-001482	IC-D/A CONVERTER;WM8521H9GED/R,16bit,SOI	1	S.A	
...4	IC110	1006-001076	IC-DRIVER/RECEIVER;MAX232ECWE+T,SOP,16P,	1	S.A	
...4	IC112	1103-000129	IC-EEPROM;24C02,2Kbit,256x8Bit,SOP,8P,5x	1	S.A	
...4	IC112	1103-000129	IC-EEPROM;24C02,2Kbit,256x8Bit,SOP,8P,5x	1	S.A	
...4	IC112	1103-001385	IC-EEPROM;AT24C256,256Kbit,32Kx8,SOP,8P,	1	S.A	
...4	IC112	1103-001410	IC-EEPROM;S-24CS08AFJ-TB-1GE,8Kbit,1Kx8,	1	S.A	
...4	IC113	1105-001712	IC-DRAM;HYB25D256163CE,DDR,256Mbit,16Mx1	1	S.A	
...4	IC5201	1105-001749	IC-GDDR;K4D261638I,GDDR,128Mbit,4x2Mx16,	1	S.N.A	

5. Exploded View & Part List

Level	Location No.	Code No.	Description & Specification	Q'ty	SA/SNA	Remark
...4	DU410	1201-000166	IC-OP AMP;LM358,SOP,ST,8P,150MIL,DUAL,10	1	S.A	
...4	DU410	1201-000541	IC-OP AMP;062,SOP,8P,153MIL,DUAL,6V/mV,P	1	S.A	
...4	T0085	1201-002487	IC-AUDIO AMP;MAX9728A,QFN,12P,3x3mm,DUAL	1	S.A	
...4	T0124	1201-002677	IC-POWER AMP;NTP3100,QFN56,56P,8x8mm,DUA	1	S.A	
...4	T0087	1203-001815	IC-POSI.FIXED REG.;78M09,TO-252,3P,-,PLA	1	S.A	
...4	T0087	1203-002974	IC-POSI.FIXED REG.;AP1117D-25A,TO-252,3P	1	S.A	
...4	IC012	1203-002995	IC-POSI.ADJUST REG.;AP1117D-A,TO-252,3P,	1	S.A	
...4	IC012	1203-002995	IC-POSI.ADJUST REG.;AP1117D-A,TO-252,3P,	1	S.A	
...4	IC012	1203-002995	IC-POSI.ADJUST REG.;AP1117D-A,TO-252,3P,	1	S.A	
...4	IC012	1203-002995	IC-POSI.ADJUST REG.;AP1117D-A,TO-252,3P,	1	S.A	
...4	IC012	1203-002995	IC-POSI.ADJUST REG.;AP1117D-A,TO-252,3P,	1	S.A	
...4	IC7206	1203-003394	IC-POWER SUPERVISOR;MIC2544-1YM,SOP,8P,4	1	S.A	
...4	T0087	1203-003696	IC-POSI.FIXED REG.;NCP1117DT18T5G,DPAK,3	1	S.A	
...4	IC5002	1203-004363	IC-VOL. DETECTOR;RT9818C-29PV,SOT-23,3P,	1	S.A	
...4	IC2005	1203-004364	IC-VOL. DETECTOR;RT9818C-42PV,SOT-23,3P,	1	S.A	
...4	IC7402	1203-004364	IC-VOL. DETECTOR;RT9818C-42PV,SOT-23,3P,	1	S.A	
...4	T0087	1203-004816	IC-POSI.FIXED REG.;KIA78D015F,DPAK,3P,6.	1	S.A	
...4	IC150	1203-005113	IC-SWITCH REG.;SPN030039Y,MSOP,10P,3x3mm	1	S.A	
...4	IC7001	1204-002861	IC-DECODER;UPD61211GM-104-GAA-A,QFP,216P	1	S.A	
...4	IC109	1205-003432	IC-LCD CONTROLLER;SEMS01,LQFP,256P,30x30	1	S.A	
...4	R1072	2007-000084	R-CHIP;4.7Kohm,5%,1/10W,TP,1608	1	S.A	
...4	R1073	2007-000084	R-CHIP;4.7Kohm,5%,1/10W,TP,1608	1	S.A	
...4	R1011	2007-000090	R-CHIP;10Kohm,5%,1/10W,TP,1608	1	S.A	
...4	R1012	2007-000090	R-CHIP;10Kohm,5%,1/10W,TP,1608	1	S.A	
...4	R1014	2007-000090	R-CHIP;10Kohm,5%,1/10W,TP,1608	1	S.A	
...4	R1055	2007-000090	R-CHIP;10Kohm,5%,1/10W,TP,1608	1	S.A	
...4	R1063	2007-000090	R-CHIP;10Kohm,5%,1/10W,TP,1608	1	S.A	
...4	R1085	2007-000090	R-CHIP;10Kohm,5%,1/10W,TP,1608	1	S.A	
...4	R1081	2007-000097	R-CHIP;47Kohm,5%,1/10W,TP,1608	1	S.A	
...4	R3170	2007-000133	R-CHIP;330Kohm,5%,1/10W,TP,1608	1	S.A	
...4	R1021	2007-000138	R-CHIP;100ohm,5%,1/16W,TP,1005	1	S.N.A	
...4	R1027	2007-000138	R-CHIP;100ohm,5%,1/16W,TP,1005	1	S.N.A	
...4	R1053	2007-000138	R-CHIP;100ohm,5%,1/16W,TP,1005	1	S.N.A	
...4	R1054	2007-000138	R-CHIP;100ohm,5%,1/16W,TP,1005	1	S.N.A	
...4	R2003	2007-000138	R-CHIP;100ohm,5%,1/16W,TP,1005	1	S.N.A	
...4	R2005	2007-000138	R-CHIP;100ohm,5%,1/16W,TP,1005	1	S.N.A	
...4	R2006	2007-000138	R-CHIP;100ohm,5%,1/16W,TP,1005	1	S.N.A	
...4	R2007	2007-000138	R-CHIP;100ohm,5%,1/16W,TP,1005	1	S.N.A	
...4	R2034	2007-000138	R-CHIP;100ohm,5%,1/16W,TP,1005	1	S.N.A	
...4	R2035	2007-000138	R-CHIP;100ohm,5%,1/16W,TP,1005	1	S.N.A	
...4	R2074	2007-000138	R-CHIP;100ohm,5%,1/16W,TP,1005	1	S.N.A	
...4	R3033	2007-000138	R-CHIP;100ohm,5%,1/16W,TP,1005	1	S.N.A	
...4	R3034	2007-000138	R-CHIP;100ohm,5%,1/16W,TP,1005	1	S.N.A	
...4	R3037	2007-000138	R-CHIP;100ohm,5%,1/16W,TP,1005	1	S.N.A	
...4	R3080	2007-000138	R-CHIP;100ohm,5%,1/16W,TP,1005	1	S.N.A	
...4	R3084	2007-000138	R-CHIP;100ohm,5%,1/16W,TP,1005	1	S.N.A	
...4	R3097	2007-000138	R-CHIP;100ohm,5%,1/16W,TP,1005	1	S.N.A	
...4	R3098	2007-000138	R-CHIP;100ohm,5%,1/16W,TP,1005	1	S.N.A	
...4	R3099	2007-000138	R-CHIP;100ohm,5%,1/16W,TP,1005	1	S.N.A	
...4	R3123	2007-000138	R-CHIP;100ohm,5%,1/16W,TP,1005	1	S.N.A	
...4	R3124	2007-000138	R-CHIP;100ohm,5%,1/16W,TP,1005	1	S.N.A	

5. Exploded View & Part List

Level	Location No.	Code No.	Description & Specification	Q'ty	SA/SNA	Remark
...4	R3136	2007-000138	R-CHIP;100ohm,5%,1/16W,TP,1005	1	S.N.A	
...4	R3148	2007-000138	R-CHIP;100ohm,5%,1/16W,TP,1005	1	S.N.A	
...4	R3172	2007-000138	R-CHIP;100ohm,5%,1/16W,TP,1005	1	S.N.A	
...4	R3200	2007-000138	R-CHIP;100ohm,5%,1/16W,TP,1005	1	S.N.A	
...4	R3246_EU	2007-000138	R-CHIP;100ohm,5%,1/16W,TP,1005	1	S.N.A	
...4	R3248_EU	2007-000138	R-CHIP;100ohm,5%,1/16W,TP,1005	1	S.N.A	
...4	R3261	2007-000138	R-CHIP;100ohm,5%,1/16W,TP,1005	1	S.N.A	
...4	R3263_EU	2007-000138	R-CHIP;100ohm,5%,1/16W,TP,1005	1	S.N.A	
...4	R3264	2007-000138	R-CHIP;100ohm,5%,1/16W,TP,1005	1	S.N.A	
...4	R3283	2007-000138	R-CHIP;100ohm,5%,1/16W,TP,1005	1	S.N.A	
...4	R3292	2007-000138	R-CHIP;100ohm,5%,1/16W,TP,1005	1	S.N.A	
...4	R3296	2007-000138	R-CHIP;100ohm,5%,1/16W,TP,1005	1	S.N.A	
...4	R5008	2007-000138	R-CHIP;100ohm,5%,1/16W,TP,1005	1	S.N.A	
...4	R5009	2007-000138	R-CHIP;100ohm,5%,1/16W,TP,1005	1	S.N.A	
...4	R5010	2007-000138	R-CHIP;100ohm,5%,1/16W,TP,1005	1	S.N.A	
...4	R5024	2007-000138	R-CHIP;100ohm,5%,1/16W,TP,1005	1	S.N.A	
...4	R5036	2007-000138	R-CHIP;100ohm,5%,1/16W,TP,1005	1	S.N.A	
...4	R5037	2007-000138	R-CHIP;100ohm,5%,1/16W,TP,1005	1	S.N.A	
...4	R5038	2007-000138	R-CHIP;100ohm,5%,1/16W,TP,1005	1	S.N.A	
...4	R5039	2007-000138	R-CHIP;100ohm,5%,1/16W,TP,1005	1	S.N.A	
...4	R5043	2007-000138	R-CHIP;100ohm,5%,1/16W,TP,1005	1	S.N.A	
...4	R5044	2007-000138	R-CHIP;100ohm,5%,1/16W,TP,1005	1	S.N.A	
...4	R5080	2007-000138	R-CHIP;100ohm,5%,1/16W,TP,1005	1	S.N.A	
...4	R5082	2007-000138	R-CHIP;100ohm,5%,1/16W,TP,1005	1	S.N.A	
...4	R5083	2007-000138	R-CHIP;100ohm,5%,1/16W,TP,1005	1	S.N.A	
...4	R5087	2007-000138	R-CHIP;100ohm,5%,1/16W,TP,1005	1	S.N.A	
...4	R5088	2007-000138	R-CHIP;100ohm,5%,1/16W,TP,1005	1	S.N.A	
...4	R5089	2007-000138	R-CHIP;100ohm,5%,1/16W,TP,1005	1	S.N.A	
...4	R5091	2007-000138	R-CHIP;100ohm,5%,1/16W,TP,1005	1	S.N.A	
...4	R5092	2007-000138	R-CHIP;100ohm,5%,1/16W,TP,1005	1	S.N.A	
...4	R5093	2007-000138	R-CHIP;100ohm,5%,1/16W,TP,1005	1	S.N.A	
...4	R5101	2007-000138	R-CHIP;100ohm,5%,1/16W,TP,1005	1	S.N.A	
...4	R5102	2007-000138	R-CHIP;100ohm,5%,1/16W,TP,1005	1	S.N.A	
...4	R5202	2007-000138	R-CHIP;100ohm,5%,1/16W,TP,1005	1	S.N.A	
...4	R5204	2007-000138	R-CHIP;100ohm,5%,1/16W,TP,1005	1	S.N.A	
...4	R5210	2007-000138	R-CHIP;100ohm,5%,1/16W,TP,1005	1	S.N.A	
...4	R5211	2007-000138	R-CHIP;100ohm,5%,1/16W,TP,1005	1	S.N.A	
...4	R6012_L	2007-000138	R-CHIP;100ohm,5%,1/16W,TP,1005	1	S.N.A	
...4	R7004	2007-000138	R-CHIP;100ohm,5%,1/16W,TP,1005	1	S.N.A	
...4	R7005	2007-000138	R-CHIP;100ohm,5%,1/16W,TP,1005	1	S.N.A	
...4	R7006	2007-000138	R-CHIP;100ohm,5%,1/16W,TP,1005	1	S.N.A	
...4	R7007	2007-000138	R-CHIP;100ohm,5%,1/16W,TP,1005	1	S.N.A	
...4	R7008	2007-000138	R-CHIP;100ohm,5%,1/16W,TP,1005	1	S.N.A	
...4	R7009	2007-000138	R-CHIP;100ohm,5%,1/16W,TP,1005	1	S.N.A	
...4	R7010	2007-000138	R-CHIP;100ohm,5%,1/16W,TP,1005	1	S.N.A	
...4	R7011	2007-000138	R-CHIP;100ohm,5%,1/16W,TP,1005	1	S.N.A	
...4	R7014	2007-000138	R-CHIP;100ohm,5%,1/16W,TP,1005	1	S.N.A	
...4	R7031	2007-000138	R-CHIP;100ohm,5%,1/16W,TP,1005	1	S.N.A	
...4	R7032	2007-000138	R-CHIP;100ohm,5%,1/16W,TP,1005	1	S.N.A	
...4	R7204	2007-000138	R-CHIP;100ohm,5%,1/16W,TP,1005	1	S.N.A	
...4	R7205	2007-000138	R-CHIP;100ohm,5%,1/16W,TP,1005	1	S.N.A	

5. Exploded View & Part List

Level	Location No.	Code No.	Description & Specification	Q'ty	SA/SNA	Remark
....4	R7206	2007-000138	R-CHIP;100ohm,5%,1/16W,TP,1005	1	S.N.A	
....4	R7217	2007-000138	R-CHIP;100ohm,5%,1/16W,TP,1005	1	S.N.A	
....4	R7219	2007-000138	R-CHIP;100ohm,5%,1/16W,TP,1005	1	S.N.A	
....4	R1029	2007-000139	R-CHIP;220ohm,5%,1/16W,TP,1005	1	S.N.A	
....4	R1032	2007-000139	R-CHIP;220ohm,5%,1/16W,TP,1005	1	S.N.A	
....4	R7241	2007-000139	R-CHIP;220ohm,5%,1/16W,TP,1005	1	S.N.A	
....4	R2009	2007-000140	R-CHIP;1Kohm,5%,1/16W,TP,1005	1	S.N.A	
....4	R2036	2007-000140	R-CHIP;1Kohm,5%,1/16W,TP,1005	1	S.N.A	
....4	R2037	2007-000140	R-CHIP;1Kohm,5%,1/16W,TP,1005	1	S.N.A	
....4	R3025	2007-000140	R-CHIP;1Kohm,5%,1/16W,TP,1005	1	S.N.A	
....4	R3178	2007-000140	R-CHIP;1Kohm,5%,1/16W,TP,1005	1	S.N.A	
....4	R3217	2007-000140	R-CHIP;1Kohm,5%,1/16W,TP,1005	1	S.N.A	
....4	R3226	2007-000140	R-CHIP;1Kohm,5%,1/16W,TP,1005	1	S.N.A	
....4	R3293	2007-000140	R-CHIP;1Kohm,5%,1/16W,TP,1005	1	S.N.A	
....4	R3294	2007-000140	R-CHIP;1Kohm,5%,1/16W,TP,1005	1	S.N.A	
....4	R3297	2007-000140	R-CHIP;1Kohm,5%,1/16W,TP,1005	1	S.N.A	
....4	R5019	2007-000140	R-CHIP;1Kohm,5%,1/16W,TP,1005	1	S.N.A	
....4	R5053	2007-000140	R-CHIP;1Kohm,5%,1/16W,TP,1005	1	S.N.A	
....4	R5205	2007-000140	R-CHIP;1Kohm,5%,1/16W,TP,1005	1	S.N.A	
....4	R7033	2007-000140	R-CHIP;1Kohm,5%,1/16W,TP,1005	1	S.N.A	
....4	R7084	2007-000140	R-CHIP;1Kohm,5%,1/16W,TP,1005	1	S.N.A	
....4	R7085	2007-000140	R-CHIP;1Kohm,5%,1/16W,TP,1005	1	S.N.A	
....4	R7226	2007-000140	R-CHIP;1Kohm,5%,1/16W,TP,1005	1	S.N.A	
....4	R7227	2007-000140	R-CHIP;1Kohm,5%,1/16W,TP,1005	1	S.N.A	
....4	R7233	2007-000140	R-CHIP;1Kohm,5%,1/16W,TP,1005	1	S.N.A	
....4	R7413	2007-000140	R-CHIP;1Kohm,5%,1/16W,TP,1005	1	S.N.A	
....4	R2073	2007-000141	R-CHIP;2.2Kohm,5%,1/16W,TP,1005	1	S.N.A	
....4	R3109	2007-000141	R-CHIP;2.2Kohm,5%,1/16W,TP,1005	1	S.N.A	
....4	R3111	2007-000141	R-CHIP;2.2Kohm,5%,1/16W,TP,1005	1	S.N.A	
....4	R3223	2007-000141	R-CHIP;2.2Kohm,5%,1/16W,TP,1005	1	S.N.A	
....4	R3224	2007-000141	R-CHIP;2.2Kohm,5%,1/16W,TP,1005	1	S.N.A	
....4	R3225	2007-000141	R-CHIP;2.2Kohm,5%,1/16W,TP,1005	1	S.N.A	
....4	R5014	2007-000141	R-CHIP;2.2Kohm,5%,1/16W,TP,1005	1	S.N.A	
....4	R5015	2007-000141	R-CHIP;2.2Kohm,5%,1/16W,TP,1005	1	S.N.A	
....4	R1057	2007-000143	R-CHIP;4.7Kohm,5%,1/16W,TP,1005	1	S.N.A	
....4	R1084	2007-000143	R-CHIP;4.7Kohm,5%,1/16W,TP,1005	1	S.N.A	
....4	R1086	2007-000143	R-CHIP;4.7Kohm,5%,1/16W,TP,1005	1	S.N.A	
....4	R2014	2007-000143	R-CHIP;4.7Kohm,5%,1/16W,TP,1005	1	S.N.A	
....4	R2015	2007-000143	R-CHIP;4.7Kohm,5%,1/16W,TP,1005	1	S.N.A	
....4	R2016	2007-000143	R-CHIP;4.7Kohm,5%,1/16W,TP,1005	1	S.N.A	
....4	R2017	2007-000143	R-CHIP;4.7Kohm,5%,1/16W,TP,1005	1	S.N.A	
....4	R2038	2007-000143	R-CHIP;4.7Kohm,5%,1/16W,TP,1005	1	S.N.A	
....4	R2039	2007-000143	R-CHIP;4.7Kohm,5%,1/16W,TP,1005	1	S.N.A	
....4	R3027	2007-000143	R-CHIP;4.7Kohm,5%,1/16W,TP,1005	1	S.N.A	
....4	R3031	2007-000143	R-CHIP;4.7Kohm,5%,1/16W,TP,1005	1	S.N.A	
....4	R3032	2007-000143	R-CHIP;4.7Kohm,5%,1/16W,TP,1005	1	S.N.A	
....4	R3090	2007-000143	R-CHIP;4.7Kohm,5%,1/16W,TP,1005	1	S.N.A	
....4	R3215	2007-000143	R-CHIP;4.7Kohm,5%,1/16W,TP,1005	1	S.N.A	
....4	R3295	2007-000143	R-CHIP;4.7Kohm,5%,1/16W,TP,1005	1	S.N.A	
....4	R5103	2007-000143	R-CHIP;4.7Kohm,5%,1/16W,TP,1005	1	S.N.A	
....4	R5214	2007-000143	R-CHIP;4.7Kohm,5%,1/16W,TP,1005	1	S.N.A	

5. Exploded View & Part List

Level	Location No.	Code No.	Description & Specification	Q'ty	SA/SNA	Remark
...4	R5215	2007-000143	R-CHIP;4.7Kohm,5%,1/16W,TP,1005	1	S.N.A	
...4	R6015_L	2007-000143	R-CHIP;4.7Kohm,5%,1/16W,TP,1005	1	S.N.A	
...4	R7027	2007-000143	R-CHIP;4.7Kohm,5%,1/16W,TP,1005	1	S.N.A	
...4	R7028	2007-000143	R-CHIP;4.7Kohm,5%,1/16W,TP,1005	1	S.N.A	
...4	R7029	2007-000143	R-CHIP;4.7Kohm,5%,1/16W,TP,1005	1	S.N.A	
...4	R7030	2007-000143	R-CHIP;4.7Kohm,5%,1/16W,TP,1005	1	S.N.A	
...4	R7035	2007-000143	R-CHIP;4.7Kohm,5%,1/16W,TP,1005	1	S.N.A	
...4	R7410	2007-000143	R-CHIP;4.7Kohm,5%,1/16W,TP,1005	1	S.N.A	
...4	R7412	2007-000143	R-CHIP;4.7Kohm,5%,1/16W,TP,1005	1	S.N.A	
...4	R2059	2007-000148	R-CHIP;10Kohm,5%,1/16W,TP,1005	1	S.N.A	
...4	R2060	2007-000148	R-CHIP;10Kohm,5%,1/16W,TP,1005	1	S.N.A	
...4	R2067	2007-000148	R-CHIP;10Kohm,5%,1/16W,TP,1005	1	S.N.A	
...4	R2077	2007-000148	R-CHIP;10Kohm,5%,1/16W,TP,1005	1	S.N.A	
...4	R2078	2007-000148	R-CHIP;10Kohm,5%,1/16W,TP,1005	1	S.N.A	
...4	R2079	2007-000148	R-CHIP;10Kohm,5%,1/16W,TP,1005	1	S.N.A	
...4	R2083	2007-000148	R-CHIP;10Kohm,5%,1/16W,TP,1005	1	S.N.A	
...4	R2085	2007-000148	R-CHIP;10Kohm,5%,1/16W,TP,1005	1	S.N.A	
...4	R3040	2007-000148	R-CHIP;10Kohm,5%,1/16W,TP,1005	1	S.N.A	
...4	R3041	2007-000148	R-CHIP;10Kohm,5%,1/16W,TP,1005	1	S.N.A	
...4	R3042	2007-000148	R-CHIP;10Kohm,5%,1/16W,TP,1005	1	S.N.A	
...4	R3081	2007-000148	R-CHIP;10Kohm,5%,1/16W,TP,1005	1	S.N.A	
...4	R3089	2007-000148	R-CHIP;10Kohm,5%,1/16W,TP,1005	1	S.N.A	
...4	R3104	2007-000148	R-CHIP;10Kohm,5%,1/16W,TP,1005	1	S.N.A	
...4	R3105	2007-000148	R-CHIP;10Kohm,5%,1/16W,TP,1005	1	S.N.A	
...4	R3118	2007-000148	R-CHIP;10Kohm,5%,1/16W,TP,1005	1	S.N.A	
...4	R3119	2007-000148	R-CHIP;10Kohm,5%,1/16W,TP,1005	1	S.N.A	
...4	R3128	2007-000148	R-CHIP;10Kohm,5%,1/16W,TP,1005	1	S.N.A	
...4	R3129	2007-000148	R-CHIP;10Kohm,5%,1/16W,TP,1005	1	S.N.A	
...4	R3130	2007-000148	R-CHIP;10Kohm,5%,1/16W,TP,1005	1	S.N.A	
...4	R3131	2007-000148	R-CHIP;10Kohm,5%,1/16W,TP,1005	1	S.N.A	
...4	R3144	2007-000148	R-CHIP;10Kohm,5%,1/16W,TP,1005	1	S.N.A	
...4	R3146	2007-000148	R-CHIP;10Kohm,5%,1/16W,TP,1005	1	S.N.A	
...4	R3177	2007-000148	R-CHIP;10Kohm,5%,1/16W,TP,1005	1	S.N.A	
...4	R3216	2007-000148	R-CHIP;10Kohm,5%,1/16W,TP,1005	1	S.N.A	
...4	R3218	2007-000148	R-CHIP;10Kohm,5%,1/16W,TP,1005	1	S.N.A	
...4	R3247	2007-000148	R-CHIP;10Kohm,5%,1/16W,TP,1005	1	S.N.A	
...4	R3249	2007-000148	R-CHIP;10Kohm,5%,1/16W,TP,1005	1	S.N.A	
...4	R3284	2007-000148	R-CHIP;10Kohm,5%,1/16W,TP,1005	1	S.N.A	
...4	R3285	2007-000148	R-CHIP;10Kohm,5%,1/16W,TP,1005	1	S.N.A	
...4	R5003	2007-000148	R-CHIP;10Kohm,5%,1/16W,TP,1005	1	S.N.A	
...4	R5016	2007-000148	R-CHIP;10Kohm,5%,1/16W,TP,1005	1	S.N.A	
...4	R5017	2007-000148	R-CHIP;10Kohm,5%,1/16W,TP,1005	1	S.N.A	
...4	R5018	2007-000148	R-CHIP;10Kohm,5%,1/16W,TP,1005	1	S.N.A	
...4	R5028	2007-000148	R-CHIP;10Kohm,5%,1/16W,TP,1005	1	S.N.A	
...4	R5041	2007-000148	R-CHIP;10Kohm,5%,1/16W,TP,1005	1	S.N.A	
...4	R5054	2007-000148	R-CHIP;10Kohm,5%,1/16W,TP,1005	1	S.N.A	
...4	R5106	2007-000148	R-CHIP;10Kohm,5%,1/16W,TP,1005	1	S.N.A	
...4	R5200	2007-000148	R-CHIP;10Kohm,5%,1/16W,TP,1005	1	S.N.A	
...4	R5207	2007-000148	R-CHIP;10Kohm,5%,1/16W,TP,1005	1	S.N.A	
...4	R5216	2007-000148	R-CHIP;10Kohm,5%,1/16W,TP,1005	1	S.N.A	
...4	R5217	2007-000148	R-CHIP;10Kohm,5%,1/16W,TP,1005	1	S.N.A	

5. Exploded View & Part List

Level	Location No.	Code No.	Description & Specification	Q'ty	SA/SNA	Remark
....4	R5236	2007-000148	R-CHIP;10Kohm,5%,1/16W,TP,1005	1	S.N.A	
....4	R5240	2007-000148	R-CHIP;10Kohm,5%,1/16W,TP,1005	1	S.N.A	
....4	R6013_L	2007-000148	R-CHIP;10Kohm,5%,1/16W,TP,1005	1	S.N.A	
....4	R7034	2007-000148	R-CHIP;10Kohm,5%,1/16W,TP,1005	1	S.N.A	
....4	R7036	2007-000148	R-CHIP;10Kohm,5%,1/16W,TP,1005	1	S.N.A	
....4	R7042	2007-000148	R-CHIP;10Kohm,5%,1/16W,TP,1005	1	S.N.A	
....4	R7043	2007-000148	R-CHIP;10Kohm,5%,1/16W,TP,1005	1	S.N.A	
....4	R7070	2007-000148	R-CHIP;10Kohm,5%,1/16W,TP,1005	1	S.N.A	
....4	R7071	2007-000148	R-CHIP;10Kohm,5%,1/16W,TP,1005	1	S.N.A	
....4	R7072	2007-000148	R-CHIP;10Kohm,5%,1/16W,TP,1005	1	S.N.A	
....4	R7073	2007-000148	R-CHIP;10Kohm,5%,1/16W,TP,1005	1	S.N.A	
....4	R7074	2007-000148	R-CHIP;10Kohm,5%,1/16W,TP,1005	1	S.N.A	
....4	R7075	2007-000148	R-CHIP;10Kohm,5%,1/16W,TP,1005	1	S.N.A	
....4	R7076	2007-000148	R-CHIP;10Kohm,5%,1/16W,TP,1005	1	S.N.A	
....4	R7077	2007-000148	R-CHIP;10Kohm,5%,1/16W,TP,1005	1	S.N.A	
....4	R7201	2007-000148	R-CHIP;10Kohm,5%,1/16W,TP,1005	1	S.N.A	
....4	R7209	2007-000148	R-CHIP;10Kohm,5%,1/16W,TP,1005	1	S.N.A	
....4	R7216	2007-000148	R-CHIP;10Kohm,5%,1/16W,TP,1005	1	S.N.A	
....4	R7218	2007-000148	R-CHIP;10Kohm,5%,1/16W,TP,1005	1	S.N.A	
....4	R7220	2007-000148	R-CHIP;10Kohm,5%,1/16W,TP,1005	1	S.N.A	
....4	R7221	2007-000148	R-CHIP;10Kohm,5%,1/16W,TP,1005	1	S.N.A	
....4	R7222	2007-000148	R-CHIP;10Kohm,5%,1/16W,TP,1005	1	S.N.A	
....4	R7223	2007-000148	R-CHIP;10Kohm,5%,1/16W,TP,1005	1	S.N.A	
....4	R7224	2007-000148	R-CHIP;10Kohm,5%,1/16W,TP,1005	1	S.N.A	
....4	R7225	2007-000148	R-CHIP;10Kohm,5%,1/16W,TP,1005	1	S.N.A	
....4	R7228	2007-000148	R-CHIP;10Kohm,5%,1/16W,TP,1005	1	S.N.A	
....4	R7229	2007-000148	R-CHIP;10Kohm,5%,1/16W,TP,1005	1	S.N.A	
....4	R7230	2007-000148	R-CHIP;10Kohm,5%,1/16W,TP,1005	1	S.N.A	
....4	R7405	2007-000148	R-CHIP;10Kohm,5%,1/16W,TP,1005	1	S.N.A	
....4	R7406	2007-000148	R-CHIP;10Kohm,5%,1/16W,TP,1005	1	S.N.A	
....4	R3120	2007-000151	R-CHIP;15Kohm,5%,1/16W,TP,1005	1	S.N.A	
....4	R3121	2007-000151	R-CHIP;15Kohm,5%,1/16W,TP,1005	1	S.N.A	
....4	R3132	2007-000151	R-CHIP;15Kohm,5%,1/16W,TP,1005	1	S.N.A	
....4	R3133	2007-000151	R-CHIP;15Kohm,5%,1/16W,TP,1005	1	S.N.A	
....4	R3192	2007-000151	R-CHIP;15Kohm,5%,1/16W,TP,1005	1	S.N.A	
....4	R3193	2007-000151	R-CHIP;15Kohm,5%,1/16W,TP,1005	1	S.N.A	
....4	R3250	2007-000151	R-CHIP;15Kohm,5%,1/16W,TP,1005	1	S.N.A	
....4	R3251	2007-000151	R-CHIP;15Kohm,5%,1/16W,TP,1005	1	S.N.A	
....4	R3288	2007-000151	R-CHIP;15Kohm,5%,1/16W,TP,1005	1	S.N.A	
....4	R3289	2007-000151	R-CHIP;15Kohm,5%,1/16W,TP,1005	1	S.N.A	
....4	R7404	2007-000151	R-CHIP;15Kohm,5%,1/16W,TP,1005	1	S.N.A	
....4	R7407	2007-000151	R-CHIP;15Kohm,5%,1/16W,TP,1005	1	S.N.A	
....4	R1041	2007-000153	R-CHIP;22Kohm,5%,1/16W,TP,1005	1	S.N.A	
....4	R1051	2007-000153	R-CHIP;22Kohm,5%,1/16W,TP,1005	1	S.N.A	
....4	R1052	2007-000153	R-CHIP;22Kohm,5%,1/16W,TP,1005	1	S.N.A	
....4	R1056	2007-000153	R-CHIP;22Kohm,5%,1/16W,TP,1005	1	S.N.A	
....4	R1061	2007-000153	R-CHIP;22Kohm,5%,1/16W,TP,1005	1	S.N.A	
....4	R3174	2007-000153	R-CHIP;22Kohm,5%,1/16W,TP,1005	1	S.N.A	
....4	R3214	2007-000153	R-CHIP;22Kohm,5%,1/16W,TP,1005	1	S.N.A	
....4	R5046	2007-000153	R-CHIP;22Kohm,5%,1/16W,TP,1005	1	S.N.A	
....4	R5047	2007-000153	R-CHIP;22Kohm,5%,1/16W,TP,1005	1	S.N.A	

5. Exploded View & Part List

Level	Location No.	Code No.	Description & Specification	Q'ty	SA/SNA	Remark
...4	R5048	2007-000153	R-CHIP;22Kohm,5%,1/16W,TP,1005	1	S.N.A	
...4	R5049	2007-000153	R-CHIP;22Kohm,5%,1/16W,TP,1005	1	S.N.A	
...4	R5050	2007-000153	R-CHIP;22Kohm,5%,1/16W,TP,1005	1	S.N.A	
...4	R5051	2007-000153	R-CHIP;22Kohm,5%,1/16W,TP,1005	1	S.N.A	
...4	R1010	2007-000157	R-CHIP;47Kohm,5%,1/16W,TP,1005	1	S.N.A	
...4	R1064	2007-000157	R-CHIP;47Kohm,5%,1/16W,TP,1005	1	S.N.A	
...4	R2061	2007-000157	R-CHIP;47Kohm,5%,1/16W,TP,1005	1	S.N.A	
...4	R2062	2007-000157	R-CHIP;47Kohm,5%,1/16W,TP,1005	1	S.N.A	
...4	R2081	2007-000157	R-CHIP;47Kohm,5%,1/16W,TP,1005	1	S.N.A	
...4	R2082	2007-000157	R-CHIP;47Kohm,5%,1/16W,TP,1005	1	S.N.A	
...4	R2089	2007-000157	R-CHIP;47Kohm,5%,1/16W,TP,1005	1	S.N.A	
...4	R2090	2007-000157	R-CHIP;47Kohm,5%,1/16W,TP,1005	1	S.N.A	
...4	R3244_EU	2007-000157	R-CHIP;47Kohm,5%,1/16W,TP,1005	1	S.N.A	
...4	R3245_EU	2007-000157	R-CHIP;47Kohm,5%,1/16W,TP,1005	1	S.N.A	
...4	R1031	2007-000162	R-CHIP;100Kohm,5%,1/16W,TP,1005	1	S.N.A	
...4	R2018	2007-000162	R-CHIP;100Kohm,5%,1/16W,TP,1005	1	S.N.A	
...4	R2019	2007-000162	R-CHIP;100Kohm,5%,1/16W,TP,1005	1	S.N.A	
...4	R2020	2007-000162	R-CHIP;100Kohm,5%,1/16W,TP,1005	1	S.N.A	
...4	R2021	2007-000162	R-CHIP;100Kohm,5%,1/16W,TP,1005	1	S.N.A	
...4	R2022	2007-000162	R-CHIP;100Kohm,5%,1/16W,TP,1005	1	S.N.A	
...4	R2023	2007-000162	R-CHIP;100Kohm,5%,1/16W,TP,1005	1	S.N.A	
...4	R2026	2007-000162	R-CHIP;100Kohm,5%,1/16W,TP,1005	1	S.N.A	
...4	R2027	2007-000162	R-CHIP;100Kohm,5%,1/16W,TP,1005	1	S.N.A	
...4	R2028	2007-000162	R-CHIP;100Kohm,5%,1/16W,TP,1005	1	S.N.A	
...4	R2029	2007-000162	R-CHIP;100Kohm,5%,1/16W,TP,1005	1	S.N.A	
...4	R2031	2007-000162	R-CHIP;100Kohm,5%,1/16W,TP,1005	1	S.N.A	
...4	R2098	2007-000162	R-CHIP;100Kohm,5%,1/16W,TP,1005	1	S.N.A	
...4	R3168	2007-000162	R-CHIP;100Kohm,5%,1/16W,TP,1005	1	S.N.A	
...4	R5002	2007-000170	R-CHIP;1Mohm,5%,1/16W,TP,1005	1	S.N.A	
...4	R1074_22	2007-000171	R-CHIP;0ohm,5%,1/16W,TP,1005	1	S.N.A	
...4	R2002	2007-000171	R-CHIP;0ohm,5%,1/16W,TP,1005	1	S.N.A	
...4	R2066	2007-000171	R-CHIP;0ohm,5%,1/16W,TP,1005	1	S.N.A	
...4	R2075	2007-000171	R-CHIP;0ohm,5%,1/16W,TP,1005	1	S.N.A	
...4	R3024	2007-000171	R-CHIP;0ohm,5%,1/16W,TP,1005	1	S.N.A	
...4	R3108	2007-000171	R-CHIP;0ohm,5%,1/16W,TP,1005	1	S.N.A	
...4	R3110	2007-000171	R-CHIP;0ohm,5%,1/16W,TP,1005	1	S.N.A	
...4	R3138	2007-000171	R-CHIP;0ohm,5%,1/16W,TP,1005	1	S.N.A	
...4	R3142	2007-000171	R-CHIP;0ohm,5%,1/16W,TP,1005	1	S.N.A	
...4	R3143	2007-000171	R-CHIP;0ohm,5%,1/16W,TP,1005	1	S.N.A	
...4	R3167	2007-000171	R-CHIP;0ohm,5%,1/16W,TP,1005	1	S.N.A	
...4	R3169	2007-000171	R-CHIP;0ohm,5%,1/16W,TP,1005	1	S.N.A	
...4	R3173	2007-000171	R-CHIP;0ohm,5%,1/16W,TP,1005	1	S.N.A	
...4	R3175	2007-000171	R-CHIP;0ohm,5%,1/16W,TP,1005	1	S.N.A	
...4	R3176	2007-000171	R-CHIP;0ohm,5%,1/16W,TP,1005	1	S.N.A	
...4	R3179	2007-000171	R-CHIP;0ohm,5%,1/16W,TP,1005	1	S.N.A	
...4	R3180	2007-000171	R-CHIP;0ohm,5%,1/16W,TP,1005	1	S.N.A	
...4	R3181	2007-000171	R-CHIP;0ohm,5%,1/16W,TP,1005	1	S.N.A	
...4	R3182	2007-000171	R-CHIP;0ohm,5%,1/16W,TP,1005	1	S.N.A	
...4	R3194_SLIM	2007-000171	R-CHIP;0ohm,5%,1/16W,TP,1005	1	S.N.A	
...4	R3195_SLIM	2007-000171	R-CHIP;0ohm,5%,1/16W,TP,1005	1	S.N.A	
...4	R3208	2007-000171	R-CHIP;0ohm,5%,1/16W,TP,1005	1	S.N.A	

5. Exploded View & Part List

Level	Location No.	Code No.	Description & Specification	Q'ty	SA/SNA	Remark
...4	R3253_EU	2007-000171	R-CHIP;0ohm,5%,1/16W,TP,1005	1	S.N.A	
...4	R3268	2007-000171	R-CHIP;0ohm,5%,1/16W,TP,1005	1	S.N.A	
...4	R3307	2007-000171	R-CHIP;0ohm,5%,1/16W,TP,1005	1	S.N.A	
...4	R5021	2007-000171	R-CHIP;0ohm,5%,1/16W,TP,1005	1	S.N.A	
...4	R5023	2007-000171	R-CHIP;0ohm,5%,1/16W,TP,1005	1	S.N.A	
...4	R5025	2007-000171	R-CHIP;0ohm,5%,1/16W,TP,1005	1	S.N.A	
...4	R5026	2007-000171	R-CHIP;0ohm,5%,1/16W,TP,1005	1	S.N.A	
...4	R5027_OP	2007-000171	R-CHIP;0ohm,5%,1/16W,TP,1005	1	S.N.A	
...4	R5031	2007-000171	R-CHIP;0ohm,5%,1/16W,TP,1005	1	S.N.A	
...4	R5032	2007-000171	R-CHIP;0ohm,5%,1/16W,TP,1005	1	S.N.A	
...4	R5033	2007-000171	R-CHIP;0ohm,5%,1/16W,TP,1005	1	S.N.A	
...4	R5034	2007-000171	R-CHIP;0ohm,5%,1/16W,TP,1005	1	S.N.A	
...4	R5035	2007-000171	R-CHIP;0ohm,5%,1/16W,TP,1005	1	S.N.A	
...4	R5045	2007-000171	R-CHIP;0ohm,5%,1/16W,TP,1005	1	S.N.A	
...4	R5052	2007-000171	R-CHIP;0ohm,5%,1/16W,TP,1005	1	S.N.A	
...4	R5063	2007-000171	R-CHIP;0ohm,5%,1/16W,TP,1005	1	S.N.A	
...4	R5078	2007-000171	R-CHIP;0ohm,5%,1/16W,TP,1005	1	S.N.A	
...4	R5079	2007-000171	R-CHIP;0ohm,5%,1/16W,TP,1005	1	S.N.A	
...4	R5084	2007-000171	R-CHIP;0ohm,5%,1/16W,TP,1005	1	S.N.A	
...4	R5085	2007-000171	R-CHIP;0ohm,5%,1/16W,TP,1005	1	S.N.A	
...4	R5086	2007-000171	R-CHIP;0ohm,5%,1/16W,TP,1005	1	S.N.A	
...4	R5094	2007-000171	R-CHIP;0ohm,5%,1/16W,TP,1005	1	S.N.A	
...4	R5095	2007-000171	R-CHIP;0ohm,5%,1/16W,TP,1005	1	S.N.A	
...4	R5096	2007-000171	R-CHIP;0ohm,5%,1/16W,TP,1005	1	S.N.A	
...4	R5212	2007-000171	R-CHIP;0ohm,5%,1/16W,TP,1005	1	S.N.A	
...4	R5213	2007-000171	R-CHIP;0ohm,5%,1/16W,TP,1005	1	S.N.A	
...4	R5237	2007-000171	R-CHIP;0ohm,5%,1/16W,TP,1005	1	S.N.A	
...4	R5238	2007-000171	R-CHIP;0ohm,5%,1/16W,TP,1005	1	S.N.A	
...4	R5239	2007-000171	R-CHIP;0ohm,5%,1/16W,TP,1005	1	S.N.A	
...4	R5241	2007-000171	R-CHIP;0ohm,5%,1/16W,TP,1005	1	S.N.A	
...4	R5242	2007-000171	R-CHIP;0ohm,5%,1/16W,TP,1005	1	S.N.A	
...4	R5243	2007-000171	R-CHIP;0ohm,5%,1/16W,TP,1005	1	S.N.A	
...4	R5244	2007-000171	R-CHIP;0ohm,5%,1/16W,TP,1005	1	S.N.A	
...4	R5247	2007-000171	R-CHIP;0ohm,5%,1/16W,TP,1005	1	S.N.A	
...4	R6010_ANA	2007-000171	R-CHIP;0ohm,5%,1/16W,TP,1005	1	S.N.A	
...4	R6022	2007-000171	R-CHIP;0ohm,5%,1/16W,TP,1005	1	S.N.A	
...4	R6023	2007-000171	R-CHIP;0ohm,5%,1/16W,TP,1005	1	S.N.A	
...4	R6024	2007-000171	R-CHIP;0ohm,5%,1/16W,TP,1005	1	S.N.A	
...4	R6025	2007-000171	R-CHIP;0ohm,5%,1/16W,TP,1005	1	S.N.A	
...4	R6026	2007-000171	R-CHIP;0ohm,5%,1/16W,TP,1005	1	S.N.A	
...4	R6027	2007-000171	R-CHIP;0ohm,5%,1/16W,TP,1005	1	S.N.A	
...4	R6029	2007-000171	R-CHIP;0ohm,5%,1/16W,TP,1005	1	S.N.A	
...4	R6030	2007-000171	R-CHIP;0ohm,5%,1/16W,TP,1005	1	S.N.A	
...4	R7037	2007-000171	R-CHIP;0ohm,5%,1/16W,TP,1005	1	S.N.A	
...4	R7038	2007-000171	R-CHIP;0ohm,5%,1/16W,TP,1005	1	S.N.A	
...4	R7039	2007-000171	R-CHIP;0ohm,5%,1/16W,TP,1005	1	S.N.A	
...4	R7040	2007-000171	R-CHIP;0ohm,5%,1/16W,TP,1005	1	S.N.A	
...4	R7235	2007-000171	R-CHIP;0ohm,5%,1/16W,TP,1005	1	S.N.A	
...4	R3026	2007-000172	R-CHIP;10ohm,5%,1/16W,TP,1005	1	S.N.A	
...4	R3187	2007-000172	R-CHIP;10ohm,5%,1/16W,TP,1005	1	S.N.A	
...4	R5066	2007-000172	R-CHIP;10ohm,5%,1/16W,TP,1005	1	S.N.A	

5. Exploded View & Part List

Level	Location No.	Code No.	Description & Specification	Q'ty	SA/SNA	Remark
...4	R5067	2007-000172	R-CHIP;10ohm,5%,1/16W,TP,1005	1	S.N.A	
...4	R5068	2007-000172	R-CHIP;10ohm,5%,1/16W,TP,1005	1	S.N.A	
...4	R5069	2007-000172	R-CHIP;10ohm,5%,1/16W,TP,1005	1	S.N.A	
...4	R5070	2007-000172	R-CHIP;10ohm,5%,1/16W,TP,1005	1	S.N.A	
...4	R5071	2007-000172	R-CHIP;10ohm,5%,1/16W,TP,1005	1	S.N.A	
...4	R5072	2007-000172	R-CHIP;10ohm,5%,1/16W,TP,1005	1	S.N.A	
...4	R5073	2007-000172	R-CHIP;10ohm,5%,1/16W,TP,1005	1	S.N.A	
...4	R3038	2007-000173	R-CHIP;22ohm,5%,1/16W,TP,1005	1	S.N.A	
...4	R3039	2007-000173	R-CHIP;22ohm,5%,1/16W,TP,1005	1	S.N.A	
...4	R3096	2007-000173	R-CHIP;22ohm,5%,1/16W,TP,1005	1	S.N.A	
...4	R3100	2007-000173	R-CHIP;22ohm,5%,1/16W,TP,1005	1	S.N.A	
...4	R3227	2007-000173	R-CHIP;22ohm,5%,1/16W,TP,1005	1	S.N.A	
...4	R3228	2007-000173	R-CHIP;22ohm,5%,1/16W,TP,1005	1	S.N.A	
...4	R6011_OP	2007-000173	R-CHIP;22ohm,5%,1/16W,TP,1005	1	S.N.A	
...4	R3043	2007-000174	R-CHIP;47ohm,5%,1/16W,TP,1005	1	S.N.A	
...4	R3044	2007-000174	R-CHIP;47ohm,5%,1/16W,TP,1005	1	S.N.A	
...4	R3106	2007-000174	R-CHIP;47ohm,5%,1/16W,TP,1005	1	S.N.A	
...4	R3107	2007-000174	R-CHIP;47ohm,5%,1/16W,TP,1005	1	S.N.A	
...4	R3162	2007-000174	R-CHIP;47ohm,5%,1/16W,TP,1005	1	S.N.A	
...4	R3163	2007-000174	R-CHIP;47ohm,5%,1/16W,TP,1005	1	S.N.A	
...4	R3290	2007-000174	R-CHIP;47ohm,5%,1/16W,TP,1005	1	S.N.A	
...4	R3291	2007-000174	R-CHIP;47ohm,5%,1/16W,TP,1005	1	S.N.A	
...4	R5074	2007-000174	R-CHIP;47ohm,5%,1/16W,TP,1005	1	S.N.A	
...4	R5075	2007-000174	R-CHIP;47ohm,5%,1/16W,TP,1005	1	S.N.A	
...4	R5076	2007-000174	R-CHIP;47ohm,5%,1/16W,TP,1005	1	S.N.A	
...4	R3073	2007-000539	R-CHIP;200ohm,5%,1/10W,TP,1608	1	S.A	
...4	R1083	2007-000695	R-CHIP;3.3ohm,5%,1/10W,TP,1608	1	S.A	
...4	R2087	2007-000775	R-CHIP;33Kohm,5%,1/16W,TP,1005	1	S.N.A	
...4	R2088	2007-000775	R-CHIP;33Kohm,5%,1/16W,TP,1005	1	S.N.A	
...4	R3210	2007-000775	R-CHIP;33Kohm,5%,1/16W,TP,1005	1	S.N.A	
...4	R2084	2007-000831	R-CHIP;39Kohm,5%,1/16W,TP,1005	1	S.A	
...4	R2086	2007-000831	R-CHIP;39Kohm,5%,1/16W,TP,1005	1	S.A	
...4	R1013	2007-000869	R-CHIP;4.7Kohm,1%,1/10W,TP,1608	1	S.N.A	
...4	R2091	2007-000932	R-CHIP;470ohm,5%,1/16W,TP,1005	1	S.N.A	
...4	R2093	2007-000932	R-CHIP;470ohm,5%,1/16W,TP,1005	1	S.N.A	
...4	R3145	2007-000932	R-CHIP;470ohm,5%,1/16W,TP,1005	1	S.N.A	
...4	R3159	2007-000932	R-CHIP;470ohm,5%,1/16W,TP,1005	1	S.N.A	
...4	R3160	2007-000932	R-CHIP;470ohm,5%,1/16W,TP,1005	1	S.N.A	
...4	R3164	2007-000932	R-CHIP;470ohm,5%,1/16W,TP,1005	1	S.N.A	
...4	R3212	2007-000932	R-CHIP;470ohm,5%,1/16W,TP,1005	1	S.N.A	
...4	R5081	2007-000932	R-CHIP;470ohm,5%,1/16W,TP,1005	1	S.N.A	
...4	R5090	2007-000932	R-CHIP;470ohm,5%,1/16W,TP,1005	1	S.N.A	
...4	R6016_L	2007-000932	R-CHIP;470ohm,5%,1/16W,TP,1005	1	S.N.A	
...4	R3134	2007-000950	R-CHIP;47ohm,5%,1/4W,TP,3216	1	S.A	
...4	R3135	2007-000950	R-CHIP;47ohm,5%,1/4W,TP,3216	1	S.A	
...4	R3137	2007-000950	R-CHIP;47ohm,5%,1/4W,TP,3216	1	S.A	
...4	R3265	2007-000950	R-CHIP;47ohm,5%,1/4W,TP,3216	1	S.A	
...4	R3266	2007-000950	R-CHIP;47ohm,5%,1/4W,TP,3216	1	S.A	
...4	R3267	2007-000950	R-CHIP;47ohm,5%,1/4W,TP,3216	1	S.A	
...4	R3286	2007-000950	R-CHIP;47ohm,5%,1/4W,TP,3216	1	S.A	
...4	R3101	2007-001167	R-CHIP;75ohm,5%,1/10W,TP,1608	1	S.N.A	

5. Exploded View & Part List

Level	Location No.	Code No.	Description & Specification	Q'ty	SA/SNA	Remark
....4	R3102	2007-001167	R-CHIP;75ohm,5%,1/10W,TP,1608	1	S.N.A	
....4	R3103	2007-001167	R-CHIP;75ohm,5%,1/10W,TP,1608	1	S.N.A	
....4	R3139	2007-001167	R-CHIP;75ohm,5%,1/10W,TP,1608	1	S.N.A	
....4	R3140	2007-001167	R-CHIP;75ohm,5%,1/10W,TP,1608	1	S.N.A	
....4	R3141	2007-001167	R-CHIP;75ohm,5%,1/10W,TP,1608	1	S.N.A	
....4	R3171	2007-001167	R-CHIP;75ohm,5%,1/10W,TP,1608	1	S.N.A	
....4	R3254	2007-001167	R-CHIP;75ohm,5%,1/10W,TP,1608	1	S.N.A	
....4	R3256	2007-001167	R-CHIP;75ohm,5%,1/10W,TP,1608	1	S.N.A	
....4	R3257	2007-001167	R-CHIP;75ohm,5%,1/10W,TP,1608	1	S.N.A	
....4	R3258	2007-001167	R-CHIP;75ohm,5%,1/10W,TP,1608	1	S.N.A	
....4	R3260_EU	2007-001167	R-CHIP;75ohm,5%,1/10W,TP,1608	1	S.N.A	
....4	R3262	2007-001167	R-CHIP;75ohm,5%,1/10W,TP,1608	1	S.N.A	
....4	R3287	2007-001167	R-CHIP;75ohm,5%,1/10W,TP,1608	1	S.N.A	
....4	R3209	2007-001217	R-CHIP;82ohm,5%,1/16W,TP,1005	1	S.N.A	
....4	R2010	2007-001285	R-CHIP;5.6ohm,5%,1/16W,TP,1005	1	S.A	
....4	R2011	2007-001285	R-CHIP;5.6ohm,5%,1/16W,TP,1005	1	S.A	
....4	R2012	2007-001285	R-CHIP;5.6ohm,5%,1/16W,TP,1005	1	S.A	
....4	R2013	2007-001285	R-CHIP;5.6ohm,5%,1/16W,TP,1005	1	S.A	
....4	R2008	2007-001292	R-CHIP;33ohm,5%,1/16W,TP,1005	1	S.N.A	
....4	R3149	2007-001292	R-CHIP;33ohm,5%,1/16W,TP,1005	1	S.N.A	
....4	R3150	2007-001292	R-CHIP;33ohm,5%,1/16W,TP,1005	1	S.N.A	
....4	R3151	2007-001292	R-CHIP;33ohm,5%,1/16W,TP,1005	1	S.N.A	
....4	R3152	2007-001292	R-CHIP;33ohm,5%,1/16W,TP,1005	1	S.N.A	
....4	R3153	2007-001292	R-CHIP;33ohm,5%,1/16W,TP,1005	1	S.N.A	
....4	R3154	2007-001292	R-CHIP;33ohm,5%,1/16W,TP,1005	1	S.N.A	
....4	R3155	2007-001292	R-CHIP;33ohm,5%,1/16W,TP,1005	1	S.N.A	
....4	R3156	2007-001292	R-CHIP;33ohm,5%,1/16W,TP,1005	1	S.N.A	
....4	R3157	2007-001292	R-CHIP;33ohm,5%,1/16W,TP,1005	1	S.N.A	
....4	R3158	2007-001292	R-CHIP;33ohm,5%,1/16W,TP,1005	1	S.N.A	
....4	R3161	2007-001292	R-CHIP;33ohm,5%,1/16W,TP,1005	1	S.N.A	
....4	R5201	2007-001292	R-CHIP;33ohm,5%,1/16W,TP,1005	1	S.N.A	
....4	R5203	2007-001292	R-CHIP;33ohm,5%,1/16W,TP,1005	1	S.N.A	
....4	R7045	2007-001292	R-CHIP;33ohm,5%,1/16W,TP,1005	1	S.N.A	
....4	R7046	2007-001292	R-CHIP;33ohm,5%,1/16W,TP,1005	1	S.N.A	
....4	R7047	2007-001292	R-CHIP;33ohm,5%,1/16W,TP,1005	1	S.N.A	
....4	R7048	2007-001292	R-CHIP;33ohm,5%,1/16W,TP,1005	1	S.N.A	
....4	R7049	2007-001292	R-CHIP;33ohm,5%,1/16W,TP,1005	1	S.N.A	
....4	R7050	2007-001292	R-CHIP;33ohm,5%,1/16W,TP,1005	1	S.N.A	
....4	R7051	2007-001292	R-CHIP;33ohm,5%,1/16W,TP,1005	1	S.N.A	
....4	R7052	2007-001292	R-CHIP;33ohm,5%,1/16W,TP,1005	1	S.N.A	
....4	R7053	2007-001292	R-CHIP;33ohm,5%,1/16W,TP,1005	1	S.N.A	
....4	R7054	2007-001292	R-CHIP;33ohm,5%,1/16W,TP,1005	1	S.N.A	
....4	R7055	2007-001292	R-CHIP;33ohm,5%,1/16W,TP,1005	1	S.N.A	
....4	R7057	2007-001292	R-CHIP;33ohm,5%,1/16W,TP,1005	1	S.N.A	
....4	R7058	2007-001292	R-CHIP;33ohm,5%,1/16W,TP,1005	1	S.N.A	
....4	R7059	2007-001292	R-CHIP;33ohm,5%,1/16W,TP,1005	1	S.N.A	
....4	R7060	2007-001292	R-CHIP;33ohm,5%,1/16W,TP,1005	1	S.N.A	
....4	R7061	2007-001292	R-CHIP;33ohm,5%,1/16W,TP,1005	1	S.N.A	
....4	R7062	2007-001292	R-CHIP;33ohm,5%,1/16W,TP,1005	1	S.N.A	
....4	R7063	2007-001292	R-CHIP;33ohm,5%,1/16W,TP,1005	1	S.N.A	
....4	R7064	2007-001292	R-CHIP;33ohm,5%,1/16W,TP,1005	1	S.N.A	

5. Exploded View & Part List

Level	Location No.	Code No.	Description & Specification	Q'ty	SA/SNA	Remark
...4	R7065	2007-001292	R-CHIP;33ohm,5%,1/16W,TP,1005	1	S.N.A	
...4	R7066	2007-001292	R-CHIP;33ohm,5%,1/16W,TP,1005	1	S.N.A	
...4	R7067	2007-001292	R-CHIP;33ohm,5%,1/16W,TP,1005	1	S.N.A	
...4	R7068	2007-001292	R-CHIP;33ohm,5%,1/16W,TP,1005	1	S.N.A	
...4	R7069	2007-001292	R-CHIP;33ohm,5%,1/16W,TP,1005	1	S.N.A	
...4	R7210	2007-001292	R-CHIP;33ohm,5%,1/16W,TP,1005	1	S.N.A	
...4	R7211	2007-001292	R-CHIP;33ohm,5%,1/16W,TP,1005	1	S.N.A	
...4	R7212	2007-001292	R-CHIP;33ohm,5%,1/16W,TP,1005	1	S.N.A	
...4	R7234	2007-001292	R-CHIP;33ohm,5%,1/16W,TP,1005	1	S.N.A	
...4	R7236	2007-001292	R-CHIP;33ohm,5%,1/16W,TP,1005	1	S.N.A	
...4	R7237	2007-001292	R-CHIP;33ohm,5%,1/16W,TP,1005	1	S.N.A	
...4	R7240	2007-001292	R-CHIP;33ohm,5%,1/16W,TP,1005	1	S.N.A	
...4	R3213	2007-001298	R-CHIP;51ohm,5%,1/16W,TP,1005	1	S.N.A	
...4	R3211	2007-001307	R-CHIP;180ohm,5%,1/16W,TP,1005	1	S.N.A	
...4	R7414	2007-001308	R-CHIP;200ohm,5%,1/16W,TP,1005	1	S.N.A	
...4	R7415	2007-001308	R-CHIP;200ohm,5%,1/16W,TP,1005	1	S.N.A	
...4	R7416	2007-001308	R-CHIP;200ohm,5%,1/16W,TP,1005	1	S.N.A	
...4	R7417	2007-001308	R-CHIP;200ohm,5%,1/16W,TP,1005	1	S.N.A	
...4	R1030	2007-001313	R-CHIP;330ohm,5%,1/16W,TP,1005	1	S.N.A	
...4	R3301	2007-001313	R-CHIP;330ohm,5%,1/16W,TP,1005	1	S.N.A	
...4	R3303	2007-001313	R-CHIP;330ohm,5%,1/16W,TP,1005	1	S.N.A	
...4	R7015	2007-001313	R-CHIP;330ohm,5%,1/16W,TP,1005	1	S.N.A	
...4	R7016	2007-001313	R-CHIP;330ohm,5%,1/16W,TP,1005	1	S.N.A	
...4	R7017	2007-001313	R-CHIP;330ohm,5%,1/16W,TP,1005	1	S.N.A	
...4	R7018	2007-001313	R-CHIP;330ohm,5%,1/16W,TP,1005	1	S.N.A	
...4	R7232	2007-001313	R-CHIP;330ohm,5%,1/16W,TP,1005	1	S.N.A	
...4	R7012	2007-001317	R-CHIP;910ohm,5%,1/16W,TP,1005	1	S.N.A	
...4	R7013	2007-001317	R-CHIP;910ohm,5%,1/16W,TP,1005	1	S.N.A	
...4	R2004	2007-001325	R-CHIP;3.3Kohm,5%,1/16W,TP,1005	1	S.N.A	
...4	R2040	2007-001325	R-CHIP;3.3Kohm,5%,1/16W,TP,1005	1	S.N.A	
...4	R2041	2007-001325	R-CHIP;3.3Kohm,5%,1/16W,TP,1005	1	S.N.A	
...4	R2042	2007-001325	R-CHIP;3.3Kohm,5%,1/16W,TP,1005	1	S.N.A	
...4	R2043	2007-001325	R-CHIP;3.3Kohm,5%,1/16W,TP,1005	1	S.N.A	
...4	R3189_SLIM	2007-001325	R-CHIP;3.3Kohm,5%,1/16W,TP,1005	1	S.N.A	
...4	R3190_SLIM	2007-001325	R-CHIP;3.3Kohm,5%,1/16W,TP,1005	1	S.N.A	
...4	R3259	2007-001325	R-CHIP;3.3Kohm,5%,1/16W,TP,1005	1	S.N.A	
...4	R5104	2007-001325	R-CHIP;3.3Kohm,5%,1/16W,TP,1005	1	S.N.A	
...4	R5105	2007-001325	R-CHIP;3.3Kohm,5%,1/16W,TP,1005	1	S.N.A	
...4	R3252	2007-001333	R-CHIP;18Kohm,5%,1/16W,TP,1005	1	S.N.A	
...4	R1019	2007-002425	R-CHIP;1ohm,5%,1/10W,TP,1608	1	S.N.A	
...4	R1020	2007-002425	R-CHIP;1ohm,5%,1/10W,TP,1608	1	S.N.A	
...4	R1022	2007-002425	R-CHIP;1ohm,5%,1/10W,TP,1608	1	S.N.A	
...4	R1026	2007-002425	R-CHIP;1ohm,5%,1/10W,TP,1608	1	S.N.A	
...4	R1028	2007-002425	R-CHIP;1ohm,5%,1/10W,TP,1608	1	S.N.A	
...4	R1033	2007-002425	R-CHIP;1ohm,5%,1/10W,TP,1608	1	S.N.A	
...4	R1015	2007-002899	R-CHIP;10ohm,1%,1/10W,TP,1608	1	S.A	
...4	R1082	2007-002900	R-CHIP;11Kohm,1%,1/10W,TP,1608	1	S.A	
...4	R7001	2007-007009	R-CHIP;75ohm,5%,1/16W,TP,1005	1	S.N.A	
...4	R7002	2007-007009	R-CHIP;75ohm,5%,1/16W,TP,1005	1	S.N.A	
...4	R7003	2007-007009	R-CHIP;75ohm,5%,1/16W,TP,1005	1	S.N.A	
...4	R7019	2007-007009	R-CHIP;75ohm,5%,1/16W,TP,1005	1	S.N.A	

5. Exploded View & Part List

Level	Location No.	Code No.	Description & Specification	Q'ty	SA/SNA	Remark
....4	R7020	2007-007009	R-CHIP;75ohm,5%,1/16W,TP,1005	1	S.N.A	
....4	R7021	2007-007009	R-CHIP;75ohm,5%,1/16W,TP,1005	1	S.N.A	
....4	R7022	2007-007009	R-CHIP;75ohm,5%,1/16W,TP,1005	1	S.N.A	
....4	R7023	2007-007009	R-CHIP;75ohm,5%,1/16W,TP,1005	1	S.N.A	
....4	R7024	2007-007009	R-CHIP;75ohm,5%,1/16W,TP,1005	1	S.N.A	
....4	R7025	2007-007009	R-CHIP;75ohm,5%,1/16W,TP,1005	1	S.N.A	
....4	R7026	2007-007009	R-CHIP;75ohm,5%,1/16W,TP,1005	1	S.N.A	
....4	R7213	2007-007009	R-CHIP;75ohm,5%,1/16W,TP,1005	1	S.N.A	
....4	R7214	2007-007009	R-CHIP;75ohm,5%,1/16W,TP,1005	1	S.N.A	
....4	R7215	2007-007009	R-CHIP;75ohm,5%,1/16W,TP,1005	1	S.N.A	
....4	R2076	2007-007136	R-CHIP;4.7Kohm,1%,1/16W,TP,1005	1	S.N.A	
....4	R1024	2007-007141	R-CHIP;240ohm,5%,1/16W,TP,1005	1	S.N.A	
....4	R1023	2007-007306	R-CHIP;100ohm,1%,1/16W,TP,1005	1	S.N.A	
....4	R1100	2007-007306	R-CHIP;100ohm,1%,1/16W,TP,1005	1	S.N.A	
....4	R7242	2007-007307	R-CHIP;150ohm,1%,1/16W,TP,1005	1	S.N.A	
....4	R5097	2007-007319	R-CHIP;390ohm,1%,1/16W,TP,1005	1	S.N.A	
....4	R3077	2007-007334	R-CHIP;200Kohm,1%,1/16W,TP,1005	1	S.N.A	
....4	R3300	2007-007469	R-CHIP;110ohm,1%,1/16W,TP,1005	1	S.N.A	
....4	R3302	2007-007469	R-CHIP;110ohm,1%,1/16W,TP,1005	1	S.N.A	
....4	R5040	2007-007791	R-CHIP;9.1Kohm,1%,1/16W,TP,1005	1	S.N.A	
....4	R5206_A25	2007-007791	R-CHIP;9.1Kohm,1%,1/16W,TP,1005	1	S.N.A	
....4	RA5009	2011-000585	R-NETWORK;47ohm,5%,1/16W,L,CHIP,8P,TP,3.	1	S.N.A	
....4	RA5010	2011-000585	R-NETWORK;47ohm,5%,1/16W,L,CHIP,8P,TP,3.	1	S.N.A	
....4	RA5011	2011-000585	R-NETWORK;47ohm,5%,1/16W,L,CHIP,8P,TP,3.	1	S.N.A	
....4	RA5012	2011-000585	R-NETWORK;47ohm,5%,1/16W,L,CHIP,8P,TP,3.	1	S.N.A	
....4	RA5013	2011-000585	R-NETWORK;47ohm,5%,1/16W,L,CHIP,8P,TP,3.	1	S.N.A	
....4	RA5014	2011-000585	R-NETWORK;47ohm,5%,1/16W,L,CHIP,8P,TP,3.	1	S.N.A	
....4	RA5021	2011-000881	R-NETWORK;33ohm,5%,1/16W,L,CHIP,8P,TP,3.	1	S.N.A	
....4	RA5022	2011-000881	R-NETWORK;33ohm,5%,1/16W,L,CHIP,8P,TP,3.	1	S.N.A	
....4	RA5023	2011-000881	R-NETWORK;33ohm,5%,1/16W,L,CHIP,8P,TP,3.	1	S.N.A	
....4	RA5201	2011-000881	R-NETWORK;33ohm,5%,1/16W,L,CHIP,8P,TP,3.	1	S.N.A	
....4	RA5202	2011-000881	R-NETWORK;33ohm,5%,1/16W,L,CHIP,8P,TP,3.	1	S.N.A	
....4	RA5203	2011-000881	R-NETWORK;33ohm,5%,1/16W,L,CHIP,8P,TP,3.	1	S.N.A	
....4	RA5204	2011-000881	R-NETWORK;33ohm,5%,1/16W,L,CHIP,8P,TP,3.	1	S.N.A	
....4	RA5205	2011-000881	R-NETWORK;33ohm,5%,1/16W,L,CHIP,8P,TP,3.	1	S.N.A	
....4	RA7203	2011-000881	R-NETWORK;33ohm,5%,1/16W,L,CHIP,8P,TP,3.	1	S.N.A	
....4	RA7204	2011-000881	R-NETWORK;33ohm,5%,1/16W,L,CHIP,8P,TP,3.	1	S.N.A	
....4	RA5006	2011-001001	R-NETWORK;0ohm,5%,1/16W,L,CHIP,8P,TP,3.2	1	S.A	
....4	RA6001	2011-001001	R-NETWORK;0ohm,5%,1/16W,L,CHIP,8P,TP,3.2	1	S.A	
....4	RA6002	2011-001001	R-NETWORK;0ohm,5%,1/16W,L,CHIP,8P,TP,3.2	1	S.A	
....4	RA6003	2011-001001	R-NETWORK;0ohm,5%,1/16W,L,CHIP,8P,TP,3.2	1	S.A	
....4	RA5001	2011-001011	R-NETWORK;10Kohm,5%,1/16W,L,CHIP,8P,TP,3	1	S.A	
....4	RA5002	2011-001011	R-NETWORK;10Kohm,5%,1/16W,L,CHIP,8P,TP,3	1	S.A	
....4	RA5003	2011-001011	R-NETWORK;10Kohm,5%,1/16W,L,CHIP,8P,TP,3	1	S.A	
....4	RA5004	2011-001011	R-NETWORK;10Kohm,5%,1/16W,L,CHIP,8P,TP,3	1	S.A	
....4	RA5015	2011-001011	R-NETWORK;10Kohm,5%,1/16W,L,CHIP,8P,TP,3	1	S.A	
....4	RA5024	2011-001011	R-NETWORK;10Kohm,5%,1/16W,L,CHIP,8P,TP,3	1	S.A	
....4	RA5025	2011-001011	R-NETWORK;10Kohm,5%,1/16W,L,CHIP,8P,TP,3	1	S.A	
....4	RA5030	2011-001011	R-NETWORK;10Kohm,5%,1/16W,L,CHIP,8P,TP,3	1	S.A	
....4	RA5031	2011-001011	R-NETWORK;10Kohm,5%,1/16W,L,CHIP,8P,TP,3	1	S.A	
....4	RA5034	2011-001011	R-NETWORK;10Kohm,5%,1/16W,L,CHIP,8P,TP,3	1	S.A	

5. Exploded View & Part List

Level	Location No.	Code No.	Description & Specification	Q'ty	SA/SNA	Remark
...4	RA7009	2011-001011	R-NETWORK;10Kohm,5%,1/16W,L,CHIP,8P,TP,3	1	S.A	
...4	RA7010	2011-001011	R-NETWORK;10Kohm,5%,1/16W,L,CHIP,8P,TP,3	1	S.A	
...4	RA7011	2011-001011	R-NETWORK;10Kohm,5%,1/16W,L,CHIP,8P,TP,3	1	S.A	
...4	RA7012	2011-001011	R-NETWORK;10Kohm,5%,1/16W,L,CHIP,8P,TP,3	1	S.A	
...4	RA7209	2011-001011	R-NETWORK;10Kohm,5%,1/16W,L,CHIP,8P,TP,3	1	S.A	
...4	RA7001	2011-001087	R-NETWORK;75ohm,5%,1/16W,L,CHIP,8P,TP,3.	1	S.A	
...4	RA7002	2011-001087	R-NETWORK;75ohm,5%,1/16W,L,CHIP,8P,TP,3.	1	S.A	
...4	RA7003	2011-001087	R-NETWORK;75ohm,5%,1/16W,L,CHIP,8P,TP,3.	1	S.A	
...4	RA7004	2011-001087	R-NETWORK;75ohm,5%,1/16W,L,CHIP,8P,TP,3.	1	S.A	
...4	RA7005	2011-001087	R-NETWORK;75ohm,5%,1/16W,L,CHIP,8P,TP,3.	1	S.A	
...4	RA7006	2011-001087	R-NETWORK;75ohm,5%,1/16W,L,CHIP,8P,TP,3.	1	S.A	
...4	RA7007	2011-001087	R-NETWORK;75ohm,5%,1/16W,L,CHIP,8P,TP,3.	1	S.A	
...4	RA7008	2011-001087	R-NETWORK;75ohm,5%,1/16W,L,CHIP,8P,TP,3.	1	S.A	
...4	RA7205	2011-001087	R-NETWORK;75ohm,5%,1/16W,L,CHIP,8P,TP,3.	1	S.A	
...4	RA7210	2011-001087	R-NETWORK;75ohm,5%,1/16W,L,CHIP,8P,TP,3.	1	S.A	
...4	RA5005	2011-001093	R-NETWORK;100ohm,5%,1/16W,L,CHIP,8P,TP,3	1	S.A	
...4	RA5007	2011-001093	R-NETWORK;100ohm,5%,1/16W,L,CHIP,8P,TP,3	1	S.A	
...4	RA5008	2011-001093	R-NETWORK;100ohm,5%,1/16W,L,CHIP,8P,TP,3	1	S.A	
...4	RA5016	2011-001093	R-NETWORK;100ohm,5%,1/16W,L,CHIP,8P,TP,3	1	S.A	
...4	RA5017	2011-001093	R-NETWORK;100ohm,5%,1/16W,L,CHIP,8P,TP,3	1	S.A	
...4	RA5018	2011-001093	R-NETWORK;100ohm,5%,1/16W,L,CHIP,8P,TP,3	1	S.A	
...4	RA5019	2011-001093	R-NETWORK;100ohm,5%,1/16W,L,CHIP,8P,TP,3	1	S.A	
...4	RA5020	2011-001093	R-NETWORK;100ohm,5%,1/16W,L,CHIP,8P,TP,3	1	S.A	
...4	RA5026	2011-001093	R-NETWORK;100ohm,5%,1/16W,L,CHIP,8P,TP,3	1	S.A	
...4	RA5027	2011-001093	R-NETWORK;100ohm,5%,1/16W,L,CHIP,8P,TP,3	1	S.A	
...4	RA5028	2011-001093	R-NETWORK;100ohm,5%,1/16W,L,CHIP,8P,TP,3	1	S.A	
...4	RA5029	2011-001093	R-NETWORK;100ohm,5%,1/16W,L,CHIP,8P,TP,3	1	S.A	
...4	RA5032	2011-001093	R-NETWORK;100ohm,5%,1/16W,L,CHIP,8P,TP,3	1	S.A	
...4	RA5033	2011-001093	R-NETWORK;100ohm,5%,1/16W,L,CHIP,8P,TP,3	1	S.A	
...4	RA7201	2011-001093	R-NETWORK;100ohm,5%,1/16W,L,CHIP,8P,TP,3	1	S.A	
...4	RA7202	2011-001093	R-NETWORK;100ohm,5%,1/16W,L,CHIP,8P,TP,3	1	S.A	
...4	C2007	2203-000233	C-CER,CHIP;0.1nF,5%,50V,C0G,1005	1	S.A	
...4	C2093	2203-000233	C-CER,CHIP;0.1nF,5%,50V,C0G,1005	1	S.A	
...4	C2094	2203-000233	C-CER,CHIP;0.1nF,5%,50V,C0G,1005	1	S.A	
...4	C3030	2203-000233	C-CER,CHIP;0.1nF,5%,50V,C0G,1005	1	S.A	
...4	C3031	2203-000233	C-CER,CHIP;0.1nF,5%,50V,C0G,1005	1	S.A	
...4	C3227_EU	2203-000233	C-CER,CHIP;0.1nF,5%,50V,C0G,1005	1	S.A	
...4	C3236	2203-000233	C-CER,CHIP;0.1nF,5%,50V,C0G,1005	1	S.A	
...4	C5233	2203-000233	C-CER,CHIP;0.1nF,5%,50V,C0G,1005	1	S.A	
...4	C5234	2203-000233	C-CER,CHIP;0.1nF,5%,50V,C0G,1005	1	S.A	
...4	C3213	2203-000257	C-CER,CHIP;10nF,10%,50V,X7R,TP,1608	1	S.A	
...4	C3214	2203-000257	C-CER,CHIP;10nF,10%,50V,X7R,TP,1608	1	S.A	
...4	C3215	2203-000257	C-CER,CHIP;10nF,10%,50V,X7R,TP,1608	1	S.A	
...4	C3216	2203-000257	C-CER,CHIP;10nF,10%,50V,X7R,TP,1608	1	S.A	
...4	C3217	2203-000257	C-CER,CHIP;10nF,10%,50V,X7R,TP,1608	1	S.A	
...4	C7418	2203-000425	C-CER,CHIP;0.018nF,5%,50V,C0G,1005	1	S.A	
...4	C7421	2203-000425	C-CER,CHIP;0.018nF,5%,50V,C0G,1005	1	S.A	
...4	C2006	2203-000438	C-CER,CHIP;1nF,10%,50V,X7R,1005	1	S.A	
...4	C2028	2203-000438	C-CER,CHIP;1nF,10%,50V,X7R,1005	1	S.A	
...4	C2029	2203-000438	C-CER,CHIP;1nF,10%,50V,X7R,1005	1	S.A	
...4	C2030	2203-000438	C-CER,CHIP;1nF,10%,50V,X7R,1005	1	S.A	

5. Exploded View & Part List

Level	Location No.	Code No.	Description & Specification	Q'ty	SA/SNA	Remark
....4	C2031	2203-000438	C-CER,CHIP;1nF,10%,50V,X7R,1005	1	S.A	
....4	C3062	2203-000438	C-CER,CHIP;1nF,10%,50V,X7R,1005	1	S.A	
....4	C5013	2203-000438	C-CER,CHIP;1nF,10%,50V,X7R,1005	1	S.A	
....4	C5048	2203-000438	C-CER,CHIP;1nF,10%,50V,X7R,1005	1	S.A	
....4	C5057	2203-000438	C-CER,CHIP;1nF,10%,50V,X7R,1005	1	S.A	
....4	C5085	2203-000438	C-CER,CHIP;1nF,10%,50V,X7R,1005	1	S.A	
....4	C5214	2203-000438	C-CER,CHIP;1nF,10%,50V,X7R,1005	1	S.A	
....4	C5087	2203-000489	C-CER,CHIP;2.2nF,10%,50V,X7R,1005	1	S.A	
....4	C5088	2203-000489	C-CER,CHIP;2.2nF,10%,50V,X7R,1005	1	S.A	
....4	C5089	2203-000489	C-CER,CHIP;2.2nF,10%,50V,X7R,1005	1	S.A	
....4	C5090	2203-000489	C-CER,CHIP;2.2nF,10%,50V,X7R,1005	1	S.A	
....4	C5091	2203-000489	C-CER,CHIP;2.2nF,10%,50V,X7R,1005	1	S.A	
....4	C5092	2203-000489	C-CER,CHIP;2.2nF,10%,50V,X7R,1005	1	S.A	
....4	C1019	2203-000491	C-CER,CHIP;2.2nF,10%,50V,X7R,1608	1	S.A	
....4	C5094	2203-000585	C-CER,CHIP;0.22nF,10%,50V,X7R,1005	1	S.A	
....4	C3034	2203-000627	C-CER,CHIP;0.022nF,5%,50V,C0G,1005	1	S.N.A	
....4	C3035	2203-000627	C-CER,CHIP;0.022nF,5%,50V,C0G,1005	1	S.N.A	
....4	C5042	2203-000627	C-CER,CHIP;0.022nF,5%,50V,C0G,1005	1	S.N.A	
....4	C5043	2203-000627	C-CER,CHIP;0.022nF,5%,50V,C0G,1005	1	S.N.A	
....4	C7012	2203-000627	C-CER,CHIP;0.022nF,5%,50V,C0G,1005	1	S.N.A	
....4	C7218	2203-000627	C-CER,CHIP;0.022nF,5%,50V,C0G,1005	1	S.N.A	
....4	C7219	2203-000627	C-CER,CHIP;0.022nF,5%,50V,C0G,1005	1	S.N.A	
....4	C2051	2203-000815	C-CER,CHIP;0.033nF,5%,50V,C0G,1608	1	S.A	
....4	C2052	2203-000815	C-CER,CHIP;0.033nF,5%,50V,C0G,1608	1	S.A	
....4	C3206	2203-000815	C-CER,CHIP;0.033nF,5%,50V,C0G,1608	1	S.A	
....4	C2032	2203-000925	C-CER,CHIP;470nF,+80-20%,50V,Y5V,2012	1	S.A	
....4	C2037	2203-000925	C-CER,CHIP;470nF,+80-20%,50V,Y5V,2012	1	S.A	
....4	C3071	2203-000925	C-CER,CHIP;470nF,+80-20%,50V,Y5V,2012	1	S.A	
....4	C1021	2203-000972	C-CER,CHIP;47nF,10%,16V,X7R,1608	1	S.A	
....4	C1015	2203-001126	C-CER,CHIP;0.68nF,10%,50V,X7R,1608	1	S.N.A	
....4	C7417	2203-001153	C-CER,CHIP;0.068nF,5%,50V,NP0,1005	1	S.A	
....4	C7420	2203-001153	C-CER,CHIP;0.068nF,5%,50V,NP0,1005	1	S.A	
....4	C7423	2203-001153	C-CER,CHIP;0.068nF,5%,50V,NP0,1005	1	S.A	
....4	C7426	2203-001153	C-CER,CHIP;0.068nF,5%,50V,NP0,1005	1	S.A	
....4	C1036	2203-001242	C-CER,CHIP;0.082nF,5%,50V,NP0,1608	1	S.A	
....4	C5039	2203-001630	C-CER,CHIP;330nF,+80-20%,16V,Y5V,1608	1	S.N.A	
....4	C7411	2203-001630	C-CER,CHIP;330nF,+80-20%,16V,Y5V,1608	1	S.N.A	
....4	C7412	2203-001630	C-CER,CHIP;330nF,+80-20%,16V,Y5V,1608	1	S.N.A	
....4	C1017	2203-002285	C-CER,CHIP;10nF,10%,50V,X7R,1005	1	S.N.A	
....4	C1023	2203-002285	C-CER,CHIP;10nF,10%,50V,X7R,1005	1	S.N.A	
....4	C1024	2203-002285	C-CER,CHIP;10nF,10%,50V,X7R,1005	1	S.N.A	
....4	C2017	2203-002398	C-CER,CHIP;22nF,10%,50V,X7R,1608	1	S.N.A	
....4	C2018	2203-002398	C-CER,CHIP;22nF,10%,50V,X7R,1608	1	S.N.A	
....4	C2022	2203-002398	C-CER,CHIP;22nF,10%,50V,X7R,1608	1	S.N.A	
....4	C2023	2203-002398	C-CER,CHIP;22nF,10%,50V,X7R,1608	1	S.N.A	
....4	C3038	2203-002525	C-CER,CHIP;0.56nF,10%,50V,X7R,TP,1005	1	S.N.A	
....4	C3039	2203-002525	C-CER,CHIP;0.56nF,10%,50V,X7R,TP,1005	1	S.N.A	
....4	C3042	2203-002525	C-CER,CHIP;0.56nF,10%,50V,X7R,TP,1005	1	S.N.A	
....4	C3043	2203-002525	C-CER,CHIP;0.56nF,10%,50V,X7R,TP,1005	1	S.N.A	
....4	C3049	2203-002525	C-CER,CHIP;0.56nF,10%,50V,X7R,TP,1005	1	S.N.A	
....4	C3050	2203-002525	C-CER,CHIP;0.56nF,10%,50V,X7R,TP,1005	1	S.N.A	

5. Exploded View & Part List

Level	Location No.	Code No.	Description & Specification	Q'ty	SA/SNA	Remark
...4	C3224	2203-002525	C-CER,CHIP;0.56nF,10%,50V,X7R,TP,1005	1	S.N.A	
...4	C3225	2203-002525	C-CER,CHIP;0.56nF,10%,50V,X7R,TP,1005	1	S.N.A	
...4	C3239	2203-002525	C-CER,CHIP;0.56nF,10%,50V,X7R,TP,1005	1	S.N.A	
...4	C3240	2203-002525	C-CER,CHIP;0.56nF,10%,50V,X7R,TP,1005	1	S.N.A	
...4	C7408	2203-002525	C-CER,CHIP;0.56nF,10%,50V,X7R,TP,1005	1	S.N.A	
...4	C7409	2203-002525	C-CER,CHIP;0.56nF,10%,50V,X7R,TP,1005	1	S.N.A	
...4	C2042	2203-002687	C-CER,CHIP;1.2nF,10%,50V,X7R,TP,1005	1	S.A	
...4	C2043	2203-002687	C-CER,CHIP;1.2nF,10%,50V,X7R,TP,1005	1	S.A	
...4	C2044	2203-002687	C-CER,CHIP;1.2nF,10%,50V,X7R,TP,1005	1	S.A	
...4	C2045	2203-002687	C-CER,CHIP;1.2nF,10%,50V,X7R,TP,1005	1	S.A	
...4	C5231	2203-005065	C-CER,CHIP;1000nF,+80-20%,10V,Y5V,1608	1	S.N.A	
...4	C5232	2203-005065	C-CER,CHIP;1000nF,+80-20%,10V,Y5V,1608	1	S.N.A	
...4	C2015	2203-005249	C-CER,CHIP;100nF,10%,50V,X7R,1608	1	S.N.A	
...4	C2016	2203-005249	C-CER,CHIP;100nF,10%,50V,X7R,1608	1	S.N.A	
...4	C2025	2203-005249	C-CER,CHIP;100nF,10%,50V,X7R,1608	1	S.N.A	
...4	C2026	2203-005249	C-CER,CHIP;100nF,10%,50V,X7R,1608	1	S.N.A	
...4	C2033	2203-005249	C-CER,CHIP;100nF,10%,50V,X7R,1608	1	S.N.A	
...4	C2034	2203-005249	C-CER,CHIP;100nF,10%,50V,X7R,1608	1	S.N.A	
...4	C2035	2203-005249	C-CER,CHIP;100nF,10%,50V,X7R,1608	1	S.N.A	
...4	C2036	2203-005249	C-CER,CHIP;100nF,10%,50V,X7R,1608	1	S.N.A	
...4	C2038	2203-005249	C-CER,CHIP;100nF,10%,50V,X7R,1608	1	S.N.A	
...4	C2039	2203-005249	C-CER,CHIP;100nF,10%,50V,X7R,1608	1	S.N.A	
...4	C2040	2203-005249	C-CER,CHIP;100nF,10%,50V,X7R,1608	1	S.N.A	
...4	C2041	2203-005249	C-CER,CHIP;100nF,10%,50V,X7R,1608	1	S.N.A	
...4	C3054	2203-005249	C-CER,CHIP;100nF,10%,50V,X7R,1608	1	S.N.A	
...4	C1016	2203-005384	C-CER,CHIP;4700nF,+80-20%,10V,Y5V,TP,201	1	S.N.A	
...4	C1030	2203-005384	C-CER,CHIP;4700nF,+80-20%,10V,Y5V,TP,201	1	S.N.A	
...4	C1031	2203-005384	C-CER,CHIP;4700nF,+80-20%,10V,Y5V,TP,201	1	S.N.A	
...4	C1032	2203-005384	C-CER,CHIP;4700nF,+80-20%,10V,Y5V,TP,201	1	S.N.A	
...4	C1033	2203-005384	C-CER,CHIP;4700nF,+80-20%,10V,Y5V,TP,201	1	S.N.A	
...4	C1046	2203-005384	C-CER,CHIP;4700nF,+80-20%,10V,Y5V,TP,201	1	S.N.A	
...4	C1047	2203-005384	C-CER,CHIP;4700nF,+80-20%,10V,Y5V,TP,201	1	S.N.A	
...4	C1051	2203-005384	C-CER,CHIP;4700nF,+80-20%,10V,Y5V,TP,201	1	S.N.A	
...4	C1063	2203-005384	C-CER,CHIP;4700nF,+80-20%,10V,Y5V,TP,201	1	S.N.A	
...4	C3202	2203-005384	C-CER,CHIP;4700nF,+80-20%,10V,Y5V,TP,201	1	S.N.A	
...4	C3301	2203-005384	C-CER,CHIP;4700nF,+80-20%,10V,Y5V,TP,201	1	S.N.A	
...4	C5072	2203-005384	C-CER,CHIP;4700nF,+80-20%,10V,Y5V,TP,201	1	S.N.A	
...4	C5076	2203-005384	C-CER,CHIP;4700nF,+80-20%,10V,Y5V,TP,201	1	S.N.A	
...4	C5077	2203-005384	C-CER,CHIP;4700nF,+80-20%,10V,Y5V,TP,201	1	S.N.A	
...4	C5078	2203-005384	C-CER,CHIP;4700nF,+80-20%,10V,Y5V,TP,201	1	S.N.A	
...4	C5079	2203-005384	C-CER,CHIP;4700nF,+80-20%,10V,Y5V,TP,201	1	S.N.A	
...4	C5081	2203-005384	C-CER,CHIP;4700nF,+80-20%,10V,Y5V,TP,201	1	S.N.A	
...4	C5082	2203-005384	C-CER,CHIP;4700nF,+80-20%,10V,Y5V,TP,201	1	S.N.A	
...4	C5083	2203-005384	C-CER,CHIP;4700nF,+80-20%,10V,Y5V,TP,201	1	S.N.A	
...4	C5084	2203-005384	C-CER,CHIP;4700nF,+80-20%,10V,Y5V,TP,201	1	S.N.A	
...4	C1020	2203-005642	C-CER,CHIP;0.22nF,5%,50V,NP0,1005	1	S.N.A	
...4	C7424	2203-005642	C-CER,CHIP;0.22nF,5%,50V,NP0,1005	1	S.N.A	
...4	C7427	2203-005642	C-CER,CHIP;0.22nF,5%,50V,NP0,1005	1	S.N.A	
...4	C1026	2203-005809	C-CER,CHIP;1000nF,10%,16V,X7R,-,2012	1	S.A	
...4	C1058	2203-005809	C-CER,CHIP;1000nF,10%,16V,X7R,-,2012	1	S.A	
...4	C1065	2203-005809	C-CER,CHIP;1000nF,10%,16V,X7R,-,2012	1	S.A	

5. Exploded View & Part List

Level	Location No.	Code No.	Description & Specification	Q'ty	SA/SNA	Remark
....4	C1071	2203-005809	C-CER,CHIP;1000nF,10%,16V,X7R,-,2012	1	S.A	
....4	C1083	2203-005809	C-CER,CHIP;1000nF,10%,16V,X7R,-,2012	1	S.A	
....4	C3061	2203-005809	C-CER,CHIP;1000nF,10%,16V,X7R,-,2012	1	S.A	
....4	C5025	2203-005809	C-CER,CHIP;1000nF,10%,16V,X7R,-,2012	1	S.A	
....4	C5032	2203-005809	C-CER,CHIP;1000nF,10%,16V,X7R,-,2012	1	S.A	
....4	C6038_L	2203-005809	C-CER,CHIP;1000nF,10%,16V,X7R,-,2012	1	S.A	
....4	C7403	2203-005809	C-CER,CHIP;1000nF,10%,16V,X7R,-,2012	1	S.A	
....4	C1022	2203-005968	C-CER,CHIP;4.7NF,10%,50V,X7R,TP,1005	1	S.N.A	
....4	C3068	2203-006048	C-CER,CHIP;100nF,10%,10V,X7R,1005	1	S.A	
....4	C5047	2203-006126	C-CER,CHIP;47NF,10%,16V,X7R,TP,1005	1	S.N.A	
....4	C5049	2203-006126	C-CER,CHIP;47NF,10%,16V,X7R,TP,1005	1	S.N.A	
....4	C5050	2203-006126	C-CER,CHIP;47NF,10%,16V,X7R,TP,1005	1	S.N.A	
....4	C5053	2203-006126	C-CER,CHIP;47NF,10%,16V,X7R,TP,1005	1	S.N.A	
....4	C5054	2203-006126	C-CER,CHIP;47NF,10%,16V,X7R,TP,1005	1	S.N.A	
....4	C5055	2203-006126	C-CER,CHIP;47NF,10%,16V,X7R,TP,1005	1	S.N.A	
....4	C5056	2203-006126	C-CER,CHIP;47NF,10%,16V,X7R,TP,1005	1	S.N.A	
....4	C5058	2203-006126	C-CER,CHIP;47NF,10%,16V,X7R,TP,1005	1	S.N.A	
....4	C5059	2203-006126	C-CER,CHIP;47NF,10%,16V,X7R,TP,1005	1	S.N.A	
....4	C5060	2203-006126	C-CER,CHIP;47NF,10%,16V,X7R,TP,1005	1	S.N.A	
....4	C5061	2203-006126	C-CER,CHIP;47NF,10%,16V,X7R,TP,1005	1	S.N.A	
....4	C5062	2203-006126	C-CER,CHIP;47NF,10%,16V,X7R,TP,1005	1	S.N.A	
....4	C5063	2203-006126	C-CER,CHIP;47NF,10%,16V,X7R,TP,1005	1	S.N.A	
....4	C5064	2203-006126	C-CER,CHIP;47NF,10%,16V,X7R,TP,1005	1	S.N.A	
....4	C5065	2203-006126	C-CER,CHIP;47NF,10%,16V,X7R,TP,1005	1	S.N.A	
....4	C5066	2203-006126	C-CER,CHIP;47NF,10%,16V,X7R,TP,1005	1	S.N.A	
....4	C5067	2203-006126	C-CER,CHIP;47NF,10%,16V,X7R,TP,1005	1	S.N.A	
....4	C5068	2203-006126	C-CER,CHIP;47NF,10%,16V,X7R,TP,1005	1	S.N.A	
....4	C5069	2203-006126	C-CER,CHIP;47NF,10%,16V,X7R,TP,1005	1	S.N.A	
....4	C2081	2203-006141	C-CER,CHIP;1000nF,10%,16V,X5R,1608	1	S.N.A	
....4	C2082	2203-006141	C-CER,CHIP;1000nF,10%,16V,X5R,1608	1	S.N.A	
....4	C3241	2203-006141	C-CER,CHIP;1000nF,10%,16V,X5R,1608	1	S.N.A	
....4	C1054	2203-006158	C-CER,CHIP;100nF,10%,16V,X7R,1005	1	S.N.A	
....4	C1057	2203-006158	C-CER,CHIP;100nF,10%,16V,X7R,1005	1	S.N.A	
....4	C2001	2203-006158	C-CER,CHIP;100nF,10%,16V,X7R,1005	1	S.N.A	
....4	C2003	2203-006158	C-CER,CHIP;100nF,10%,16V,X7R,1005	1	S.N.A	
....4	C2005	2203-006158	C-CER,CHIP;100nF,10%,16V,X7R,1005	1	S.N.A	
....4	C2009	2203-006158	C-CER,CHIP;100nF,10%,16V,X7R,1005	1	S.N.A	
....4	C2011	2203-006158	C-CER,CHIP;100nF,10%,16V,X7R,1005	1	S.N.A	
....4	C2012	2203-006158	C-CER,CHIP;100nF,10%,16V,X7R,1005	1	S.N.A	
....4	C2027	2203-006158	C-CER,CHIP;100nF,10%,16V,X7R,1005	1	S.N.A	
....4	C2066	2203-006158	C-CER,CHIP;100nF,10%,16V,X7R,1005	1	S.N.A	
....4	C2085	2203-006158	C-CER,CHIP;100nF,10%,16V,X7R,1005	1	S.N.A	
....4	C3053	2203-006158	C-CER,CHIP;100nF,10%,16V,X7R,1005	1	S.N.A	
....4	C3055	2203-006158	C-CER,CHIP;100nF,10%,16V,X7R,1005	1	S.N.A	
....4	C3057	2203-006158	C-CER,CHIP;100nF,10%,16V,X7R,1005	1	S.N.A	
....4	C3201	2203-006158	C-CER,CHIP;100nF,10%,16V,X7R,1005	1	S.N.A	
....4	C3218	2203-006158	C-CER,CHIP;100nF,10%,16V,X7R,1005	1	S.N.A	
....4	C3244	2203-006158	C-CER,CHIP;100nF,10%,16V,X7R,1005	1	S.N.A	
....4	C3300	2203-006158	C-CER,CHIP;100nF,10%,16V,X7R,1005	1	S.N.A	
....4	C5093	2203-006158	C-CER,CHIP;100nF,10%,16V,X7R,1005	1	S.N.A	
....4	C5213	2203-006158	C-CER,CHIP;100nF,10%,16V,X7R,1005	1	S.N.A	

5. Exploded View & Part List

Level	Location No.	Code No.	Description & Specification	Q'ty	SA/SNA	Remark
...4	C7240	2203-006158	C-CER,CHIP;100nF,10%,16V,X7R,1005	1	S.N.A	
...4	C7241	2203-006158	C-CER,CHIP;100nF,10%,16V,X7R,1005	1	S.N.A	
...4	C7242	2203-006158	C-CER,CHIP;100nF,10%,16V,X7R,1005	1	S.N.A	
...4	C7243	2203-006158	C-CER,CHIP;100nF,10%,16V,X7R,1005	1	S.N.A	
...4	C7244	2203-006158	C-CER,CHIP;100nF,10%,16V,X7R,1005	1	S.N.A	
...4	C7245	2203-006158	C-CER,CHIP;100nF,10%,16V,X7R,1005	1	S.N.A	
...4	C7246	2203-006158	C-CER,CHIP;100nF,10%,16V,X7R,1005	1	S.N.A	
...4	C7247	2203-006158	C-CER,CHIP;100nF,10%,16V,X7R,1005	1	S.N.A	
...4	C7402	2203-006158	C-CER,CHIP;100nF,10%,16V,X7R,1005	1	S.N.A	
...4	C7404	2203-006158	C-CER,CHIP;100nF,10%,16V,X7R,1005	1	S.N.A	
...4	C7406	2203-006158	C-CER,CHIP;100nF,10%,16V,X7R,1005	1	S.N.A	
...4	C1013	2203-006361	C-CER,CHIP;10000nF,10%,10V,X5R,2012	1	S.A	
...4	C1059	2203-006361	C-CER,CHIP;10000nF,10%,10V,X5R,2012	1	S.A	
...4	C1060	2203-006361	C-CER,CHIP;10000nF,10%,10V,X5R,2012	1	S.A	
...4	C1082	2203-006361	C-CER,CHIP;10000nF,10%,10V,X5R,2012	1	S.A	
...4	C1129	2203-006361	C-CER,CHIP;10000nF,10%,10V,X5R,2012	1	S.A	
...4	C2002	2203-006361	C-CER,CHIP;10000nF,10%,10V,X5R,2012	1	S.A	
...4	C2004	2203-006361	C-CER,CHIP;10000nF,10%,10V,X5R,2012	1	S.A	
...4	C2008	2203-006361	C-CER,CHIP;10000nF,10%,10V,X5R,2012	1	S.A	
...4	C2010	2203-006361	C-CER,CHIP;10000nF,10%,10V,X5R,2012	1	S.A	
...4	C2086	2203-006361	C-CER,CHIP;10000nF,10%,10V,X5R,2012	1	S.A	
...4	C2091	2203-006361	C-CER,CHIP;10000nF,10%,10V,X5R,2012	1	S.A	
...4	C2092	2203-006361	C-CER,CHIP;10000nF,10%,10V,X5R,2012	1	S.A	
...4	C3003	2203-006361	C-CER,CHIP;10000nF,10%,10V,X5R,2012	1	S.A	
...4	C3032	2203-006361	C-CER,CHIP;10000nF,10%,10V,X5R,2012	1	S.A	
...4	C3052	2203-006361	C-CER,CHIP;10000nF,10%,10V,X5R,2012	1	S.A	
...4	C3058	2203-006361	C-CER,CHIP;10000nF,10%,10V,X5R,2012	1	S.A	
...4	C3209	2203-006361	C-CER,CHIP;10000nF,10%,10V,X5R,2012	1	S.A	
...4	C3245	2203-006361	C-CER,CHIP;10000nF,10%,10V,X5R,2012	1	S.A	
...4	C3249	2203-006361	C-CER,CHIP;10000nF,10%,10V,X5R,2012	1	S.A	
...4	C3251	2203-006361	C-CER,CHIP;10000nF,10%,10V,X5R,2012	1	S.A	
...4	C3253	2203-006361	C-CER,CHIP;10000nF,10%,10V,X5R,2012	1	S.A	
...4	C3255	2203-006361	C-CER,CHIP;10000nF,10%,10V,X5R,2012	1	S.A	
...4	C3257	2203-006361	C-CER,CHIP;10000nF,10%,10V,X5R,2012	1	S.A	
...4	C3259	2203-006361	C-CER,CHIP;10000nF,10%,10V,X5R,2012	1	S.A	
...4	C3264	2203-006361	C-CER,CHIP;10000nF,10%,10V,X5R,2012	1	S.A	
...4	C5040	2203-006361	C-CER,CHIP;10000nF,10%,10V,X5R,2012	1	S.A	
...4	C5074	2203-006361	C-CER,CHIP;10000nF,10%,10V,X5R,2012	1	S.A	
...4	C5217	2203-006361	C-CER,CHIP;10000nF,10%,10V,X5R,2012	1	S.A	
...4	C7001	2203-006361	C-CER,CHIP;10000nF,10%,10V,X5R,2012	1	S.A	
...4	C7217	2203-006361	C-CER,CHIP;10000nF,10%,10V,X5R,2012	1	S.A	
...4	C7229	2203-006361	C-CER,CHIP;10000nF,10%,10V,X5R,2012	1	S.A	
...4	C7248	2203-006361	C-CER,CHIP;10000nF,10%,10V,X5R,2012	1	S.A	
...4	C7401	2203-006361	C-CER,CHIP;10000nF,10%,10V,X5R,2012	1	S.A	
...4	C7405	2203-006361	C-CER,CHIP;10000nF,10%,10V,X5R,2012	1	S.A	
...4	C7407	2203-006361	C-CER,CHIP;10000nF,10%,10V,X5R,2012	1	S.A	
...4	C7410	2203-006361	C-CER,CHIP;10000nF,10%,10V,X5R,2012	1	S.A	
...4	C3212	2203-006513	C-CER,CHIP;0.047NF,5%,50V,C0G,TP,1005	1	S.N.A	
...4	C3226	2203-006513	C-CER,CHIP;0.047NF,5%,50V,C0G,TP,1005	1	S.N.A	
...4	C2019	2203-006562	C-CER,CHIP;1000nF,10%,10V,X5R,1005	1	S.N.A	
...4	C2020	2203-006562	C-CER,CHIP;1000nF,10%,10V,X5R,1005	1	S.N.A	

5. Exploded View & Part List

Level	Location No.	Code No.	Description & Specification	Q'ty	SA/SNA	Remark
...4	C2021	2203-006562	C-CER,CHIP;1000nF,10%,10V,X5R,1005	1	S.N.A	
...4	C2024	2203-006562	C-CER,CHIP;1000nF,10%,10V,X5R,1005	1	S.N.A	
...4	C2058	2203-006562	C-CER,CHIP;1000nF,10%,10V,X5R,1005	1	S.N.A	
...4	C2059	2203-006562	C-CER,CHIP;1000nF,10%,10V,X5R,1005	1	S.N.A	
...4	C2060	2203-006562	C-CER,CHIP;1000nF,10%,10V,X5R,1005	1	S.N.A	
...4	C2062	2203-006562	C-CER,CHIP;1000nF,10%,10V,X5R,1005	1	S.N.A	
...4	C2063	2203-006562	C-CER,CHIP;1000nF,10%,10V,X5R,1005	1	S.N.A	
...4	C2064	2203-006562	C-CER,CHIP;1000nF,10%,10V,X5R,1005	1	S.N.A	
...4	C2083	2203-006562	C-CER,CHIP;1000nF,10%,10V,X5R,1005	1	S.N.A	
...4	C2084	2203-006562	C-CER,CHIP;1000nF,10%,10V,X5R,1005	1	S.N.A	
...4	C2090	2203-006562	C-CER,CHIP;1000nF,10%,10V,X5R,1005	1	S.N.A	
...4	C2097	2203-006562	C-CER,CHIP;1000nF,10%,10V,X5R,1005	1	S.N.A	
...4	C5073	2203-006562	C-CER,CHIP;1000nF,10%,10V,X5R,1005	1	S.N.A	
...4	C1014	2203-006681	C-CER,CHIP;100nF,+80-20%,25V,Y5V,1005	1	S.N.A	
...4	C2088	2203-006681	C-CER,CHIP;100nF,+80-20%,25V,Y5V,1005	1	S.N.A	
...4	C2098	2203-006681	C-CER,CHIP;100nF,+80-20%,25V,Y5V,1005	1	S.N.A	
...4	C3004	2203-006681	C-CER,CHIP;100nF,+80-20%,25V,Y5V,1005	1	S.N.A	
...4	C3033	2203-006681	C-CER,CHIP;100nF,+80-20%,25V,Y5V,1005	1	S.N.A	
...4	C3065	2203-006681	C-CER,CHIP;100nF,+80-20%,25V,Y5V,1005	1	S.N.A	
...4	C3204	2203-006681	C-CER,CHIP;100nF,+80-20%,25V,Y5V,1005	1	S.N.A	
...4	C3210	2203-006681	C-CER,CHIP;100nF,+80-20%,25V,Y5V,1005	1	S.N.A	
...4	C3242	2203-006681	C-CER,CHIP;100nF,+80-20%,25V,Y5V,1005	1	S.N.A	
...4	C3243	2203-006681	C-CER,CHIP;100nF,+80-20%,25V,Y5V,1005	1	S.N.A	
...4	C5001	2203-006681	C-CER,CHIP;100nF,+80-20%,25V,Y5V,1005	1	S.N.A	
...4	C5002	2203-006681	C-CER,CHIP;100nF,+80-20%,25V,Y5V,1005	1	S.N.A	
...4	C5003	2203-006681	C-CER,CHIP;100nF,+80-20%,25V,Y5V,1005	1	S.N.A	
...4	C5004	2203-006681	C-CER,CHIP;100nF,+80-20%,25V,Y5V,1005	1	S.N.A	
...4	C5005	2203-006681	C-CER,CHIP;100nF,+80-20%,25V,Y5V,1005	1	S.N.A	
...4	C5006	2203-006681	C-CER,CHIP;100nF,+80-20%,25V,Y5V,1005	1	S.N.A	
...4	C5007	2203-006681	C-CER,CHIP;100nF,+80-20%,25V,Y5V,1005	1	S.N.A	
...4	C5008	2203-006681	C-CER,CHIP;100nF,+80-20%,25V,Y5V,1005	1	S.N.A	
...4	C5009	2203-006681	C-CER,CHIP;100nF,+80-20%,25V,Y5V,1005	1	S.N.A	
...4	C5010	2203-006681	C-CER,CHIP;100nF,+80-20%,25V,Y5V,1005	1	S.N.A	
...4	C5011	2203-006681	C-CER,CHIP;100nF,+80-20%,25V,Y5V,1005	1	S.N.A	
...4	C5012	2203-006681	C-CER,CHIP;100nF,+80-20%,25V,Y5V,1005	1	S.N.A	
...4	C5014	2203-006681	C-CER,CHIP;100nF,+80-20%,25V,Y5V,1005	1	S.N.A	
...4	C5015	2203-006681	C-CER,CHIP;100nF,+80-20%,25V,Y5V,1005	1	S.N.A	
...4	C5016	2203-006681	C-CER,CHIP;100nF,+80-20%,25V,Y5V,1005	1	S.N.A	
...4	C5017	2203-006681	C-CER,CHIP;100nF,+80-20%,25V,Y5V,1005	1	S.N.A	
...4	C5019	2203-006681	C-CER,CHIP;100nF,+80-20%,25V,Y5V,1005	1	S.N.A	
...4	C5020	2203-006681	C-CER,CHIP;100nF,+80-20%,25V,Y5V,1005	1	S.N.A	
...4	C5021	2203-006681	C-CER,CHIP;100nF,+80-20%,25V,Y5V,1005	1	S.N.A	
...4	C5022	2203-006681	C-CER,CHIP;100nF,+80-20%,25V,Y5V,1005	1	S.N.A	
...4	C5023	2203-006681	C-CER,CHIP;100nF,+80-20%,25V,Y5V,1005	1	S.N.A	
...4	C5024	2203-006681	C-CER,CHIP;100nF,+80-20%,25V,Y5V,1005	1	S.N.A	
...4	C5026	2203-006681	C-CER,CHIP;100nF,+80-20%,25V,Y5V,1005	1	S.N.A	
...4	C5027	2203-006681	C-CER,CHIP;100nF,+80-20%,25V,Y5V,1005	1	S.N.A	
...4	C5028	2203-006681	C-CER,CHIP;100nF,+80-20%,25V,Y5V,1005	1	S.N.A	
...4	C5029	2203-006681	C-CER,CHIP;100nF,+80-20%,25V,Y5V,1005	1	S.N.A	
...4	C5030	2203-006681	C-CER,CHIP;100nF,+80-20%,25V,Y5V,1005	1	S.N.A	
...4	C5031	2203-006681	C-CER,CHIP;100nF,+80-20%,25V,Y5V,1005	1	S.N.A	

5. Exploded View & Part List

Level	Location No.	Code No.	Description & Specification	Q'ty	SA/SNA	Remark
....4	C5033	2203-006681	C-CER,CHIP;100nF,+80-20%,25V,Y5V,1005	1	S.N.A	
....4	C5034	2203-006681	C-CER,CHIP;100nF,+80-20%,25V,Y5V,1005	1	S.N.A	
....4	C5035	2203-006681	C-CER,CHIP;100nF,+80-20%,25V,Y5V,1005	1	S.N.A	
....4	C5036	2203-006681	C-CER,CHIP;100nF,+80-20%,25V,Y5V,1005	1	S.N.A	
....4	C5037	2203-006681	C-CER,CHIP;100nF,+80-20%,25V,Y5V,1005	1	S.N.A	
....4	C5038	2203-006681	C-CER,CHIP;100nF,+80-20%,25V,Y5V,1005	1	S.N.A	
....4	C5041	2203-006681	C-CER,CHIP;100nF,+80-20%,25V,Y5V,1005	1	S.N.A	
....4	C5044	2203-006681	C-CER,CHIP;100nF,+80-20%,25V,Y5V,1005	1	S.N.A	
....4	C5045	2203-006681	C-CER,CHIP;100nF,+80-20%,25V,Y5V,1005	1	S.N.A	
....4	C5046	2203-006681	C-CER,CHIP;100nF,+80-20%,25V,Y5V,1005	1	S.N.A	
....4	C5051	2203-006681	C-CER,CHIP;100nF,+80-20%,25V,Y5V,1005	1	S.N.A	
....4	C5052	2203-006681	C-CER,CHIP;100nF,+80-20%,25V,Y5V,1005	1	S.N.A	
....4	C5070	2203-006681	C-CER,CHIP;100nF,+80-20%,25V,Y5V,1005	1	S.N.A	
....4	C5071	2203-006681	C-CER,CHIP;100nF,+80-20%,25V,Y5V,1005	1	S.N.A	
....4	C5075	2203-006681	C-CER,CHIP;100nF,+80-20%,25V,Y5V,1005	1	S.N.A	
....4	C5080	2203-006681	C-CER,CHIP;100nF,+80-20%,25V,Y5V,1005	1	S.N.A	
....4	C5086	2203-006681	C-CER,CHIP;100nF,+80-20%,25V,Y5V,1005	1	S.N.A	
....4	C5202	2203-006681	C-CER,CHIP;100nF,+80-20%,25V,Y5V,1005	1	S.N.A	
....4	C5203	2203-006681	C-CER,CHIP;100nF,+80-20%,25V,Y5V,1005	1	S.N.A	
....4	C5204	2203-006681	C-CER,CHIP;100nF,+80-20%,25V,Y5V,1005	1	S.N.A	
....4	C5205	2203-006681	C-CER,CHIP;100nF,+80-20%,25V,Y5V,1005	1	S.N.A	
....4	C5207	2203-006681	C-CER,CHIP;100nF,+80-20%,25V,Y5V,1005	1	S.N.A	
....4	C5208	2203-006681	C-CER,CHIP;100nF,+80-20%,25V,Y5V,1005	1	S.N.A	
....4	C5209	2203-006681	C-CER,CHIP;100nF,+80-20%,25V,Y5V,1005	1	S.N.A	
....4	C5210	2203-006681	C-CER,CHIP;100nF,+80-20%,25V,Y5V,1005	1	S.N.A	
....4	C5211	2203-006681	C-CER,CHIP;100nF,+80-20%,25V,Y5V,1005	1	S.N.A	
....4	C5212	2203-006681	C-CER,CHIP;100nF,+80-20%,25V,Y5V,1005	1	S.N.A	
....4	C3247	2203-006842	C-CER,CHIP;0.47nF,5%,50V,C0G,1005	1	S.N.A	
....4	C3036	2203-006992	C-CER,CHIP;0.33nF,5%,50V,C0G,1005	1	S.N.A	
....4	C3037	2203-006992	C-CER,CHIP;0.33nF,5%,50V,C0G,1005	1	S.N.A	
....4	C3220_EU	2203-006992	C-CER,CHIP;0.33nF,5%,50V,C0G,1005	1	S.N.A	
....4	C3222_EU	2203-006992	C-CER,CHIP;0.33nF,5%,50V,C0G,1005	1	S.N.A	
....4	C1003	2203-007176	C-CER,CHIP;10000nF,10%,16V,X5R,TP,2012 (1	S.N.A	
....4	C1008	2203-007176	C-CER,CHIP;10000nF,10%,16V,X5R,TP,2012 (1	S.N.A	
....4	C1012	2203-007176	C-CER,CHIP;10000nF,10%,16V,X5R,TP,2012 (1	S.N.A	
....4	C1066	2203-007176	C-CER,CHIP;10000nF,10%,16V,X5R,TP,2012 (1	S.N.A	
....4	C1113	2203-007176	C-CER,CHIP;10000nF,10%,16V,X5R,TP,2012 (1	S.N.A	
....4	C2095	2203-007176	C-CER,CHIP;10000nF,10%,16V,X5R,TP,2012 (1	S.N.A	
....4	C2099	2203-007176	C-CER,CHIP;10000nF,10%,16V,X5R,TP,2012 (1	S.N.A	
....4	C3205	2203-007176	C-CER,CHIP;10000nF,10%,16V,X5R,TP,2012 (1	S.N.A	
....4	C5201	2203-007176	C-CER,CHIP;10000nF,10%,16V,X5R,TP,2012 (1	S.N.A	
....4	C5206	2203-007176	C-CER,CHIP;10000nF,10%,16V,X5R,TP,2012 (1	S.N.A	
....4	C1056	2402-001086	C-AL,SMD;100UF,20%,16V,WT,TP,6.6X6.6X5.3	1	S.A	
....4	C1081	2402-001086	C-AL,SMD;100UF,20%,16V,WT,TP,6.6X6.6X5.3	1	S.A	
....4	C3056	2402-001129	C-AL,SMD;47UF,20%,16V,WT,TP,6.3X5.2MM	1	S.A	
....4	C1049	2402-001210	C-POLYMER AL CHIP;100uF,20%,10V,WT,TP,7.	1	S.A	
....4	C1025	2402-001238	C-AL,SMD;1uF,20%,50V,HR,TP,4.3x4.3x5.2mm	1	S.N.A	
....4	C1084	2402-001257	C-AL,SMD;470uF,20%,16V,-,TP,8.3*10	1	S.A	
....4	C2014	2402-001330	C-AL,SMD;330uF,20%,25V,TP,10x10mm	1	S.N.A	
....4	T0052	2703-000398	INDUCTOR-SMD;10uH,10%,3225	1	S.A	
....4	T0052	2703-000398	INDUCTOR-SMD;10uH,10%,3225	1	S.A	

5. Exploded View & Part List

Level	Location No.	Code No.	Description & Specification	Q'ty	SA/SNA	Remark
...4	T0568	3301-001278	BEAD-SMD;120ohm,1608,200mA,TP,169ohm/174	1	S.N.A	
...4	T0568	3301-001278	BEAD-SMD;120ohm,1608,200mA,TP,169ohm/174	1	S.N.A	
...4	T0568	3301-001278	BEAD-SMD;120ohm,1608,200mA,TP,169ohm/174	1	S.N.A	
...4	T0568	3301-001278	BEAD-SMD;120ohm,1608,200mA,TP,169ohm/174	1	S.N.A	
...4	T0568	3301-001278	BEAD-SMD;120ohm,1608,200mA,TP,169ohm/174	1	S.N.A	
...4	T0568	3301-001278	BEAD-SMD;120ohm,1608,200mA,TP,169ohm/174	1	S.N.A	
...4	T0568	3301-001278	BEAD-SMD;120ohm,1608,200mA,TP,169ohm/174	1	S.N.A	
...4	T0568	3301-001278	BEAD-SMD;120ohm,1608,200mA,TP,169ohm/174	1	S.N.A	
...4	T0568	3301-001278	BEAD-SMD;120ohm,1608,200mA,TP,169ohm/174	1	S.N.A	
...4	T0568	3301-001278	BEAD-SMD;120ohm,1608,200mA,TP,169ohm/174	1	S.N.A	
...4	T0568	3301-001278	BEAD-SMD;120ohm,1608,200mA,TP,169ohm/174	1	S.N.A	
...4	T0568	3301-001278	BEAD-SMD;120ohm,1608,200mA,TP,169ohm/174	1	S.N.A	
...4	T0568	3301-001278	BEAD-SMD;120ohm,1608,200mA,TP,169ohm/174	1	S.N.A	
...4	T0568	3301-001278	BEAD-SMD;120ohm,1608,200mA,TP,169ohm/174	1	S.N.A	
...4	T0568	3301-001278	BEAD-SMD;120ohm,1608,200mA,TP,169ohm/174	1	S.N.A	
...4	F1001	3601-001374	FUSE-SURFACE MOUNT;32V,5A,FAST-ACTING,Hi	1	S.N.A	
...4	F1002	3601-001374	FUSE-SURFACE MOUNT;32V,5A,FAST-ACTING,Hi	1	S.N.A	
...4	F1003	3601-001374	FUSE-SURFACE MOUNT;32V,5A,FAST-ACTING,Hi	1	S.N.A	
...4	JA3002	3701-001367	CONNECTOR-HDMI;19P,2R,FEMALE,SMD,AU	1	S.A	
...4	T0077	BN41-01027C	PCB MAIN;Amber iDTV,FR-4,4,1.2T,192*195,	1	S.N.A	
...4	M0107	BN61-03858A	BRACKET-PCB;L450,BRASS(H62Y),T0.4,5mm,7m	1	S.N.A	
...4	M0107	BN61-03858A	BRACKET-PCB;L450,BRASS(H62Y),T0.4,5mm,7m	1	S.N.A	
...4	M0107	BN61-03858A	BRACKET-PCB;L450,BRASS(H62Y),T0.4,5mm,7m	1	S.N.A	
...4	M0107	BN61-03858A	BRACKET-PCB;L450,BRASS(H62Y),T0.4,5mm,7m	1	S.N.A	
...4	M0018	BN97-02084A	ASSY MICOM;T-PERLDEUC-1011.0,N50A/L330/4	1	S.N.A	
....5	IC115	1107-001415	IC-FLASH MEMORY;29W320D,4Mx8/2Mx16Bit,TS	1	S.N.A	
...4	M0018	BN97-02406A	ASSY MICOM;T-AMB22PEUMD-0101.0,N48A,2008	1	S.A	
....5	IC115	1107-001709	IC-FLASH MEMORY;MX25L1605A,16Mbit,2Mx8,S	1	S.N.A	
...4	C1048	2203-002793	C-CER,CHIP;1000nF,+80-20%,25V,Y5V,2012	1	S.N.A	
...4	C3200	2203-005692	C-CER,CHIP;4700nF,+80-20%,16V,Y5V,TP,201	1	S.A	
...4	C3203	2203-005692	C-CER,CHIP;4700nF,+80-20%,16V,Y5V,TP,201	1	S.A	
0.1	M0113	BN92-03172B	ASSY P/MATERIAL;22L450,W/W	1	S.N.A	
..2	T0524	6902-000520	BAG PE;HDPE/NITRON,T0.015/T0.5(DOUBLE),W	1	S.N.A	
..2	T0214	BN74-00008A	TAPE-OPP MASKING;OPP-2,T0.05,W100,L800M,	1.55	S.N.A	
0.1	M0045	BN92-03600F	ASSY ACCESSORY;LE22A457C1DXXU	1	S.N.A	
..2	M0045	BN96-08194J	ASSY ACCESSORY-MANUAL;LE22A457C1DXXU	1	S.A	
...3	T0238	BN68-01349A	MANUAL FLYER-WARRANTY CARD;comm,Samsung,	1	S.N.A	
...3	T0059	BN68-01350A	MANUAL FLYER-CARD;comm,Samsung,English,U	1	S.N.A	
...3	T0511	BN68-01424S	MANUAL USERS;COMM,SAMSUNG,Eng,UK,W/P 80g	1	S.N.A	
..2	M0045	BN96-08194K	ASSY ACCESSORY-CABEL;LE22A457C1DXXU	1	S.A	
...3	T0268	3903-000193	CBF-POWER CORD;DT,GB,GP3/YES,U(IEC C13-R	1	S.A	
...3	T0081	6002-001294	SCREW-TAPPING;BH,+,,M4,L16,ZPC(BLK)	4	S.N.A	
...3	T0531	BN63-04269B	COVER-BOTTOM;22,26,32L450,HIPS,HB,BK500	1	S.N.A	
...3		BN63-01798B	CLOTH-CLEAN;cloth,180,200,sea blue,ToC	1	S.N.A	
...3	T0074	BN59-00705A	REMOCON;TM-95,39,TTX,EUROPE	1	S.A	
0.1	M0019	BN92-03602C	ASSY LABEL;LE22A457C1DXXC	1	S.N.A	

5. Exploded View & Part List

Level	Location No.	Code No.	Description & Specification	Q'ty	SA/SNA	Remark
0.1	M0003	BN92-03915B	ASSY BOX;22L450,EO,BLACK	1	S.N.A	
..2		BN69-02608T	BOX-SET;22L450,CB,A-01,SW-50,YEL,EUROPE(1	S.N.A	
0.1	M0112	BN91-03056A	ASSY SHIELD;LE22A457C1DXXC	1	S.N.A	
..2	M0081	6003-000115	SCREW-TAPTITE;BH,+ ,B,M3,L6,ZPC(BLK),SWRC	1	S.A	
..2	M0081	6003-000115	SCREW-TAPTITE;BH,+ ,B,M3,L6,ZPC(BLK),SWRC	5	S.A	
..2	M0081	6003-000115	SCREW-TAPTITE;BH,+ ,B,M3,L6,ZPC(BLK),SWRC	1	S.A	
..2	M0081	6003-000275	SCREW-TAPTITE;BH,+ ,-,B,M3,L10,ZPC(BLK),S	2	S.N.A	
..2	M0081	6003-001188	SCREW-TAPTITE;BH,+ ,-,B,M4,L10,ZPC(WHT),S	2	S.N.A	
..2	M0081	6003-001188	SCREW-TAPTITE;BH,+ ,-,B,M4,L10,ZPC(WHT),S	4	S.N.A	
..2	M0081	6003-001188	SCREW-TAPTITE;BH,+ ,-,B,M4,L10,ZPC(WHT),S	2	S.N.A	
..2	M0081	6003-001439	SCREW-TAPTITE;BH,+ ,-,S,M4,L8,ZPC(WHT),SW	1	S.N.A	
..2	T0297	BN39-00953D	CABLE FORM CONN.COAX;LE22S86BD,UL1571#30	1	S.A	
..2	M0174	BN44-00232A	IP BOARD;IP-54135T,L650,1.4~2.8mA,6.8~8.	1	S.A	
..2	M0114	BN61-02500A	HOLDER-WIRE;NYLON6.6,NATURAL	2	S.N.A	
..2	M0115	BN61-02947A	BRACKET-STAND LINK;JASMINE 32",SECC,T1.6	1	S.N.A	
..2	M0146	BN61-03425A	BRACKET-PANEL SIDE;JASMINE 22,SECC,T1.2	2	S.N.A	
..2	M0107	BN63-03039A	SHIELD-COVER;MURANO40,PCM,T0.5,IDTV	1	S.N.A	
..2	M0412	BN96-08042A	ASSY BRACKET P-PCB;22AA1,EO,SECC,T0.8	1	S.N.A	
...3	M0131	AA63-00997A	GASKET;RE 32,40,Conductive Fabric,16mm,1	4	S.N.A	
...3	T0530	BH61-00006A	SUPPORT-PCB;DP17LS,NYLON66,-,-,-,-,-	1	S.N.A	
...3	M0114	BN61-02500A	HOLDER-WIRE;NYLON6.6,NATURAL	4	S.N.A	
...3	T0212	BN61-04229A	BRACKET-PANEL;22L650,SECC,T0.8,EO	1	S.N.A	
...3	M0131	BN63-03442A	GASKET;Pininfarina,FABRIC,3,12,80,GRAY,7	4	S.N.A	
...3		BN61-02429B	STUD-PEM;PNB,M2.8,D7,L8,ZPC(SIL),SUM24L	1	S.N.A	