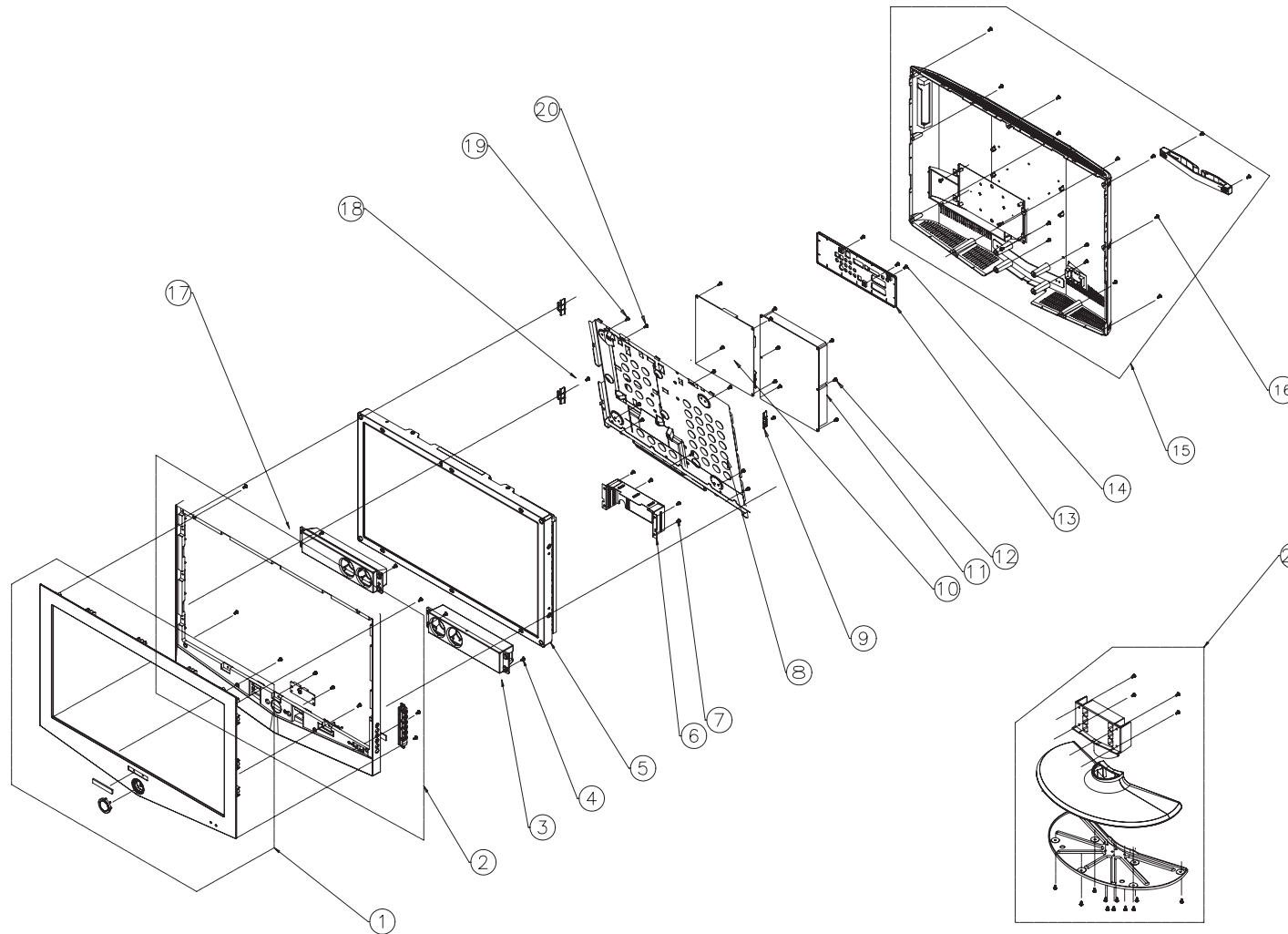


6 Exploded View and Parts List

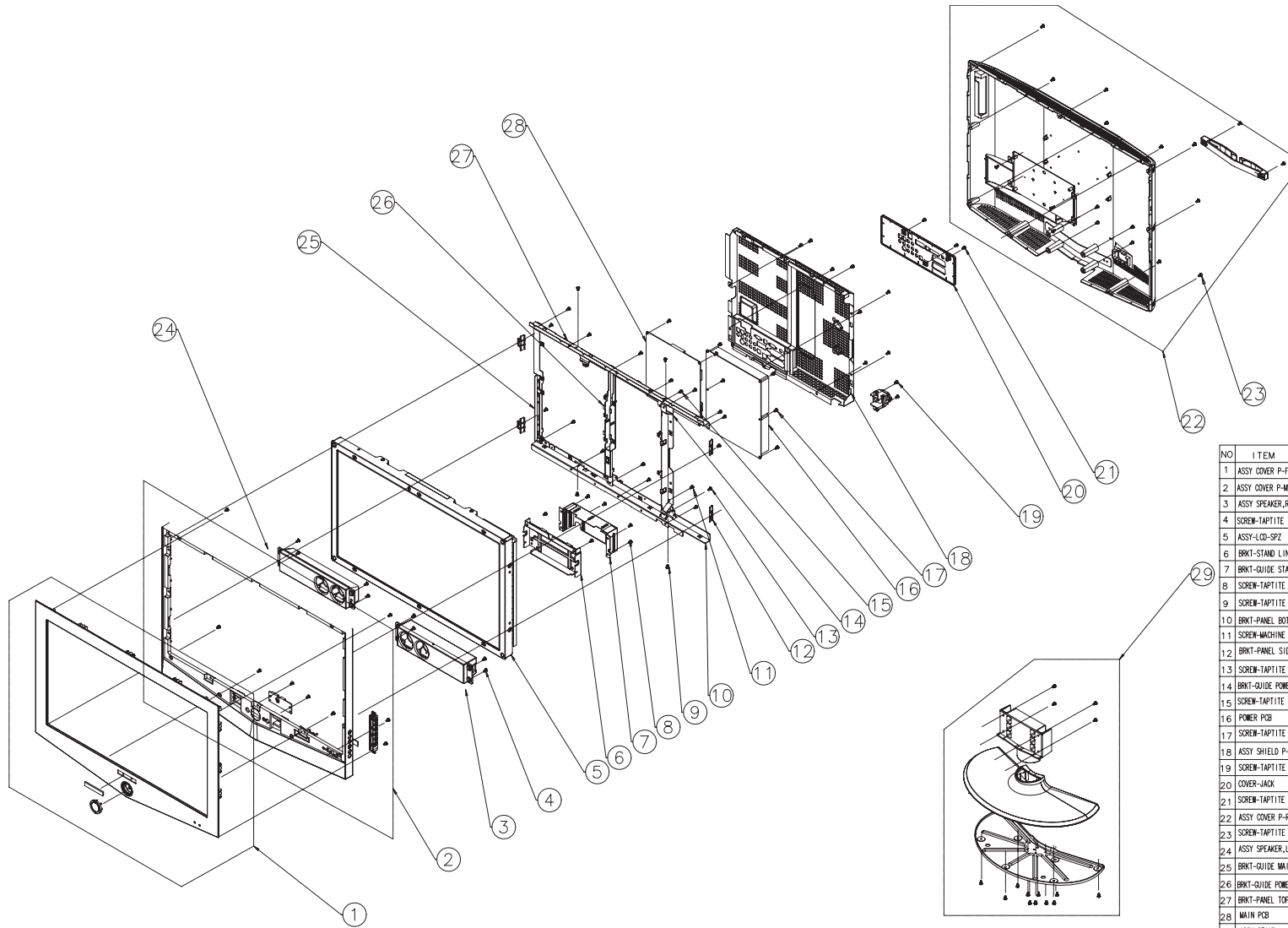
-You can search for updated part codes through ITSELF web site.
 URL : <http://itself.sec.samsung.co.kr/>

6-1 LE23A51B



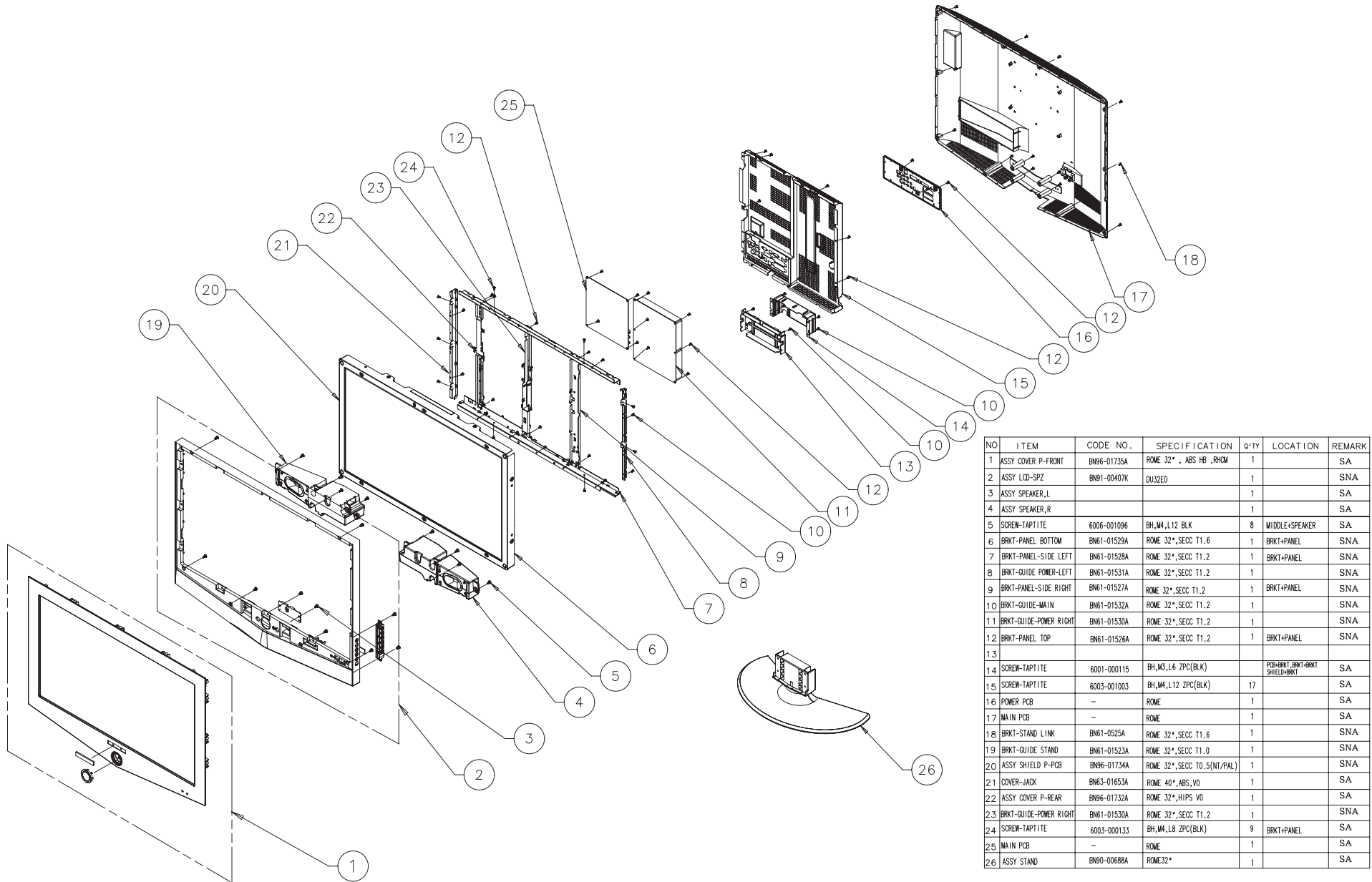
NO	ITEM	CODE NO.	SPECIFICATION	Q'TY	LOCATION	REMARK
1	ASSY COVER P-FRONT	BN96-01723A	ROME 23" , ABS HB ,RHCM	1		SA
2	ASSY COVER P-MIDDLE	BN96-01724A	ROME 26" ABS VO GR503	1		SA
3	ASSY SPEAKER_R	BN96-01772A	3W/16ohm	1		SA
4	SCREW-TAP11ITE	6006-001096	WP_BH_ML12_BLK,SWRCH18A	4	MIDDLE+SPK	SA
5	ASSY-LCD-SPZ	BN91-00833C	LTA230W-L02,8BIT	1		SNA
6	BRKT-GUIDE STAND	BN61-01523A	ROME 32",SECC T1.0	1		SNA
7	SCREW-TAP11ITE	6003-001003A	BH_MM_L12 ZPC(BLK)	4	MIDDLE+BRKT GUIDE STAND	SA
8	BRACKET-PCB	BN61-01569A	SECC T1.0	1		SNA
9	BRKT-PANEL SIDE	BN61-01564A	SECC T1.2	3		SNA
10	MAIN PCB	-	ROME 23"	1		SA
11	POWER PCB	-	ROME 23"	1		SA
12	SCREW-TAP11ITE	6003-000115	BH_MM_L6 ZPC(BLK)	10	BRACKET-PUSH-IN+PCB BRACKET-PCB+POWER-PCB	SA
13	COVER-JACK	BN63-01729A	ABS_VO_GR503_READY(NTSC)	1		SNA
14	SCREW-TAP11ITE	6003-000133	BH_MM_L8 ZPC(BLK)	3	COVER-JACK+PCB	SA
15	ASSY COVER P-REAR	BN96-01725A	HIPS VO GR503	1		SA
16	SCREW-TAP11ITE	6002-001294	BH_MM_L16 ZPC(BLK)	9	MIDDLE+R/COVER	SA
17	ASSY SPEAKER_L	BN96-01771A	3W/16ohm	1		SA
18	SCREW-TAP11ITE	6003-001003	BH_MM_L12 ZPC(BLK)	3	PANEL+MIDDLE	SA
19	SCREW-TAP11ITE	6003-000133	BH_MM_L8 ZPC(BLK)	4	PANEL+BRACKET-PCB	SA
20	SCREW-TAP11ITE	6003-001003	BH_MM_L12 ZPC(BLK)	5	BRACKET-PCB+M/COVER	SA
21	ASSY STAND	BN96-01727A	ROME23"	1		SA

6-2 LE26A51B



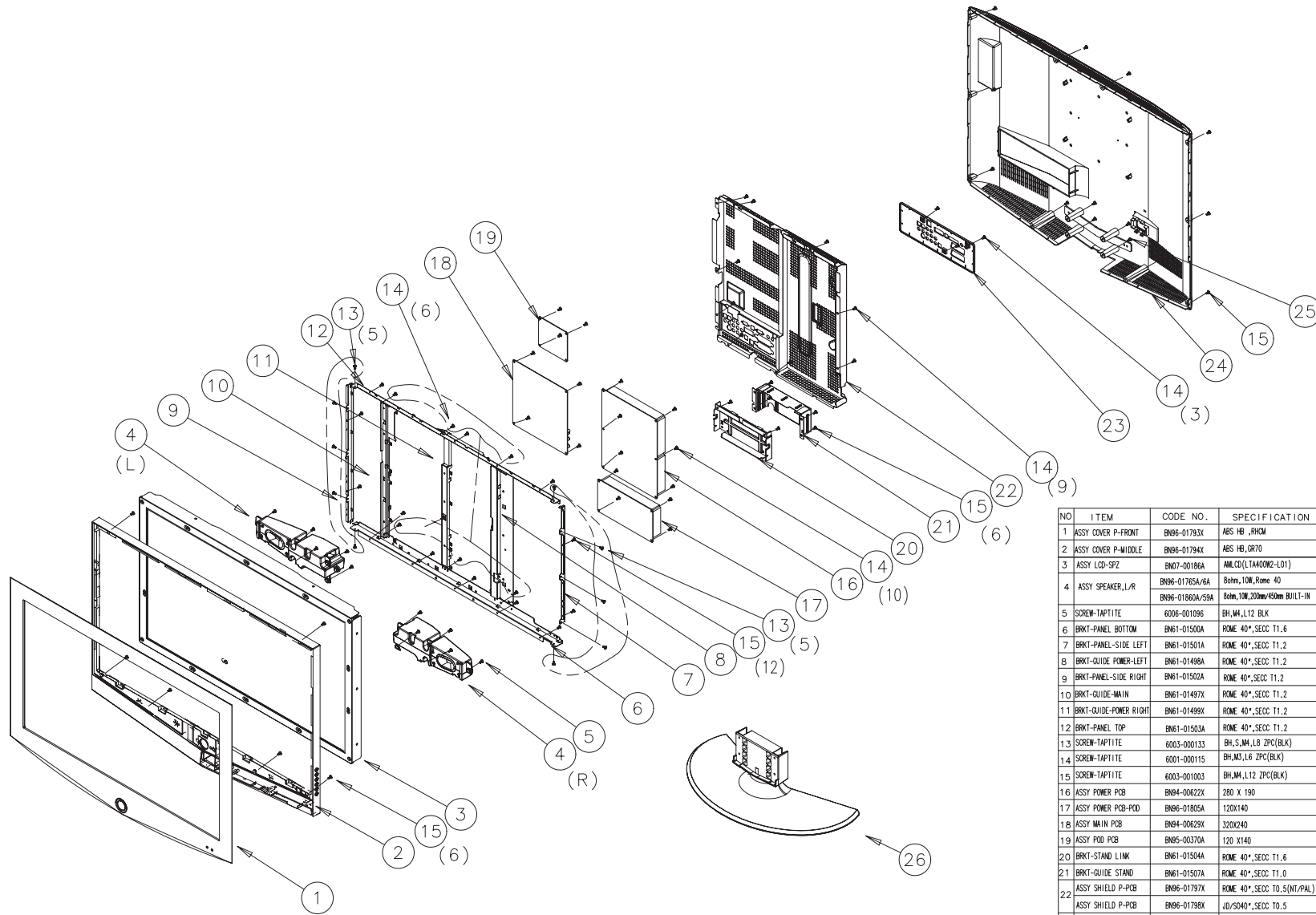
NO	ITEM	CODE NO.	SPECIFICATION	Q'TY	LOCATION	REMARK
1	ASSY COVER P-FRONT	BN96-01728A	ROME 26" , ABS HB ,RHCW	1		SA
2	ASSY COVER P-MIDDLE	BN96-01729A	ROME 26" ,ABS	1		SA
3	ASSY SPEAKER, R	BN96-01770A	5W/16ohm	1		SA
4	SCREW-TAPTITE	6003-001003	BH,MM,L12 ZPC(BLK)	8	MIDDLE+SPK	SNA
5	ASSY-LCD-SPZ	BN96-00833D	REZ9L0AM LCD	1		SNA
6	BRKT-STAND LINK	BN61-01525A	ROME 32",SECC T1.6	1		SNA
7	BRKT-GUIDE STAND	BN61-01523A	ROME 32",SECC T1.0	1		SNA
8	SCREW-TAPTITE	6003-001003	BH,MM,L12 ZPC(BLK)	6	MIDDLE+BRKT STAND LINK	SA
9	SCREW-TAPTITE	6003-000133	BH,MM,L8 ZPC(BLK)	4	BRKT+PANEL	SA
10	BRKT-PANEL BOTTOM	BN61-01565A	ROME 26",SECC T1.6	1		SNA
11	SCREW-MACHINE	6006-000245	WSP,PH,MM,L8,ZPC(YEL)	1	GROUND+BRKT	SA
12	BRKT-PANEL SIDE	BN61-01525A	ROME 32",SECC T1.6	4		SNA
13	SCREW-TAPTITE	6001-000115	BH,MM,L6 ZPC(BLK)	6	BRKT+BRKT	SA
14	BRKT-GUIDE POWER-LEFT	BN61-01567A	ROME 26",SECC T1.2	1		SNA
15	SCREW-TAPTITE	6003-001003	BH,MM,L12 ZPC(BLK)	5	MIDDLE+BRKT	SA
16	POWER PCB	-	ROME 26"	1		SA
17	SCREW-TAPTITE	6001-000115	BH,MM,L6 ZPC(BLK)	10	PCB+BRKT	SA
18	ASSY SHIELD P-PCB	BN96-01730A	ROME 26",SECC TO.5	1		SNA
19	SCREW-TAPTITE	6001-000115	BH,MM,L6 ZPC(BLK)	10	SHIELD+BRKT POWER SOCKET+BRKT	SA
20	COVER-JACK	BN63-01653A	ROME 40",ABS,V0	1		SNA
21	SCREW-TAPTITE	6001-000115	BH,MM,L6 ZPC(BLK)	3	PCB+COVER JACK	SA
22	ASSY COVER P-REAR	BN96-01736A	ROME 26",ABS	1		SA
23	SCREW-TAPTITE	6002-001294	BH,MM,L16 ZPC(BLK)	13	C/F+MIDDLE+C/R	SA
24	ASSY SPEAKER, L	BN96-01769A	5W/16ohm	1		SA
25	BRKT-GUIDE MAIN	BN61-01568A	ROME 26",SECC T1.2	1		SNA
26	BRKT-GUIDE POWER-RIGHT	BN61-01566A	ROME 26",SECC T1.2	1		SNA
27	BRKT-PANEL TOP	BN61-01563A	ROME 26",SECC T1.2	1		SNA
28	MAIN PCB	-	ROME 26"	1		SA
29	ASSY STAND	BN90-00694A	ROME26"	1		SA

6-3 LE32R51B/LE32R52B/LE32R53B



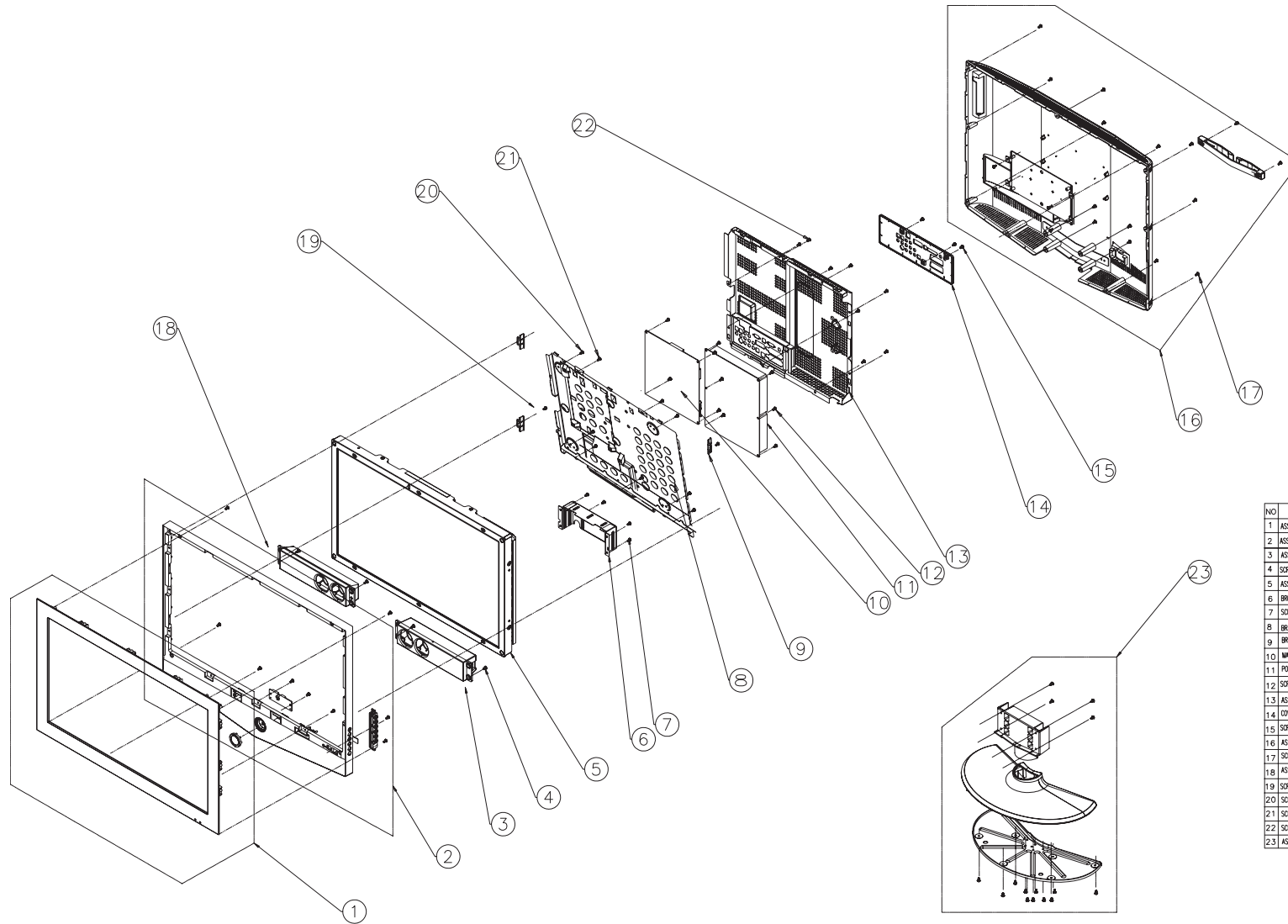
NO	ITEM	CODE NO.	SPECIFICATION	Q'TY	LOCATION	REMARK
1	ASSY COVER P-FRONT	BN96-01735A	ROME 32" , ABS HB ,RHCM	1		SA
2	ASSY LCD-SPZ	BN91-00407K	DU32ED	1		SNA
3	ASSY SPEAKER, L			1		SA
4	ASSY SPEAKER, R			1		SA
5	SCREW-TAPTITE	6006-001096	BH, M4, L12 BLK	8	MIDDLE+SPEAKER	SA
6	BRKT-PANEL BOTTOM	BN61-01529A	ROME 32", SECC T1.6	1	BRKT+PANEL	SNA
7	BRKT-PANEL-SIDE LEFT	BN61-01528A	ROME 32", SECC T1.2	1	BRKT+PANEL	SNA
8	BRKT-GUIDE POWER-LEFT	BN61-01531A	ROME 32", SECC T1.2	1		SNA
9	BRKT-PANEL-SIDE RIGHT	BN61-01527A	ROME 32", SECC T1.2	1	BRKT+PANEL	SNA
10	BRKT-GUIDE-MAIN	BN61-01532A	ROME 32", SECC T1.2	1		SNA
11	BRKT-GUIDE-POWER RIGHT	BN61-01530A	ROME 32", SECC T1.2	1		SNA
12	BRKT-PANEL TOP	BN61-01526A	ROME 32", SECC T1.2	1	BRKT+PANEL	SNA
13						
14	SCREW-TAPTITE	6001-000115	BH, M3, L6 ZPC(BLK)		PCB+BRKT, BRKT+BRKT SHIELD+BRKT	SA
15	SCREW-TAPTITE	6003-001003	BH, M4, L12 ZPC(BLK)	17		SA
16	POWER PCB	-	ROME	1		SA
17	MAIN PCB	-	ROME	1		SA
18	BRKT-STAND LINK	BN61-0525A	ROME 32", SECC T1.6	1		SNA
19	BRKT-STAND	BN61-01523A	ROME 32", SECC T1.0	1		SNA
20	ASSY SHIELD P-PCB	BN96-01734A	ROME 32", SECC TO.5(NT/PAL)	1		SNA
21	COVER-JACK	BN63-01653A	ROME 40", ABS, VO	1		SA
22	ASSY COVER P-REAR	BN96-01732A	ROME 32", HIPS VO	1		SA
23	BRKT-GUIDE-POWER RIGHT	BN61-01530A	ROME 32", SECC T1.2	1		SNA
24	SCREW-TAPTITE	6003-000133	BH, M4, L8 ZPC(BLK)	9	BRKT+PANEL	SA
25	MAIN PCB	-	ROME	1		SA
26	ASSY STAND	BN90-00688A	ROME32"	1		SA

6-4 LE40R51B



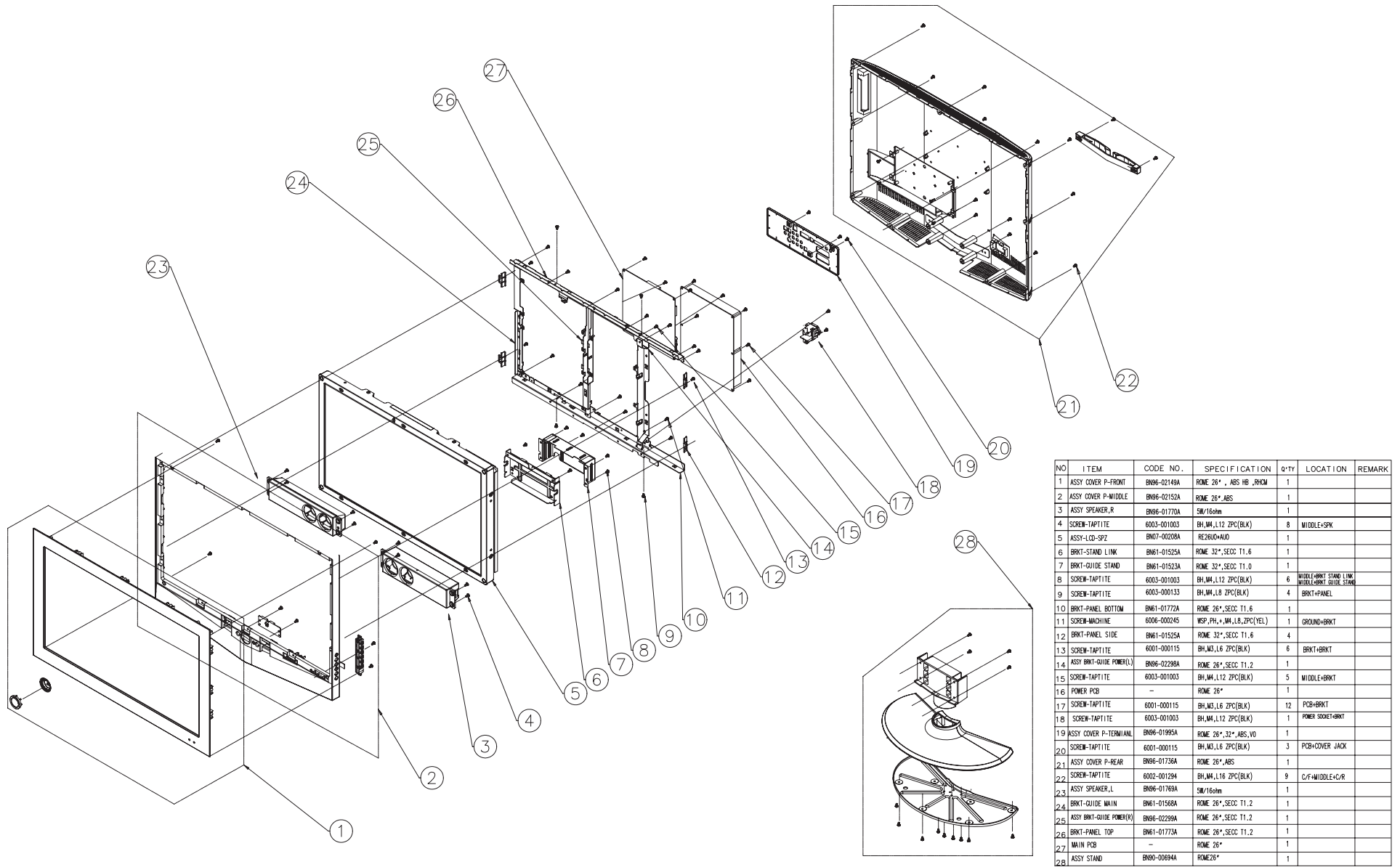
NO	ITEM	CODE NO.	SPECIFICATION	Q'TY	LOCATION	REMARK
1	ASSY COVER P-FRONT	BN96-01793X	ABS HB ,RHM	1		SA
2	ASSY COVER P-MIDDLE	BN96-01794X	ABS HB,ORT0	1		SNA
3	ASSY LCD-SPZ	BN07-00186A	AMLCD(LTM400W2-L01)	1		SA
4	ASSY SPEAKER,L/R	BN96-01785A/6A	8ohm,10W,Rome 40	1		SA
		BN96-01860A/59A	8ohm,10W,200mv/450m BUILT-IN	1		SA
5	SCREW-TAPTITE	6006-001096	BH,M,L12 BLK	10	MIDDLE-SPEAKER	SA
6	BRKT-PANEL BOTTOM	BN61-01500A	ROME 40*,SECC T1.6	1	BRKT+PANEL	SNA
7	BRKT-PANEL-SIDE LEFT	BN61-01501A	ROME 40*,SECC T1.2	1	BRKT+PANEL	SNA
8	BRKT-GUIDE POWER-LEFT	BN61-01498A	ROME 40*,SECC T1.2	1		SNA
9	BRKT-PANEL-SIDE RIGHT	BN61-01502A	ROME 40*,SECC T1.2	1	BRKT+PANEL	SNA
10	BRKT-GUIDE-MAIN	BN61-01497X	ROME 40*,SECC T1.2	1		SNA
11	BRKT-GUIDE-POWER RIGHT	BN61-01499X	ROME 40*,SECC T1.2	1		SNA
12	BRKT-PANEL TOP	BN61-01503A	ROME 40*,SECC T1.2	1	BRKT+PANEL	SNA
13	SCREW-TAPTITE	6003-000133	BH,S,M,L8 ZPC(BLK)	10	BRKT+PANEL	SA
14	SCREW-TAPTITE	6001-000115	BH,M3,L6 ZPC(BLK)	28	PCB+BRKT,SHIELD+BRKT SHIELD+BRKT SHIELD+BRKT SHIELD+BRKT	SA
15	SCREW-TAPTITE	6003-001003	BH,M,L12 ZPC(BLK)	24		SA
16	ASSY POWER PCB	BN94-00622X	280 X 190	1	REZ	SNA
17	ASSY POWER PCB-POD	BN96-01805A	120X140	1	SANJOSE ONLY	SNA
18	ASSY MAIN PCB	BN94-00629X	320X240	1		SA
19	ASSY POD PCB	BN95-00370A	120 X140	1	SANJOSE ONLY	SNA
20	BRKT-STAND LINK	BN61-01504A	ROME 40*,SECC T1.6	1		SNA
21	BRKT-GUIDE STAND	BN61-01507A	ROME 40*,SECC T1.0	1		SNA
22	ASSY SHIELD P-PCB	BN96-01797X	ROME 40*,SECC T0.5(NIT/PAL)	1		SNA
	ASSY SHIELD P-PCB	BN96-01798X	JD/S040*,SECC T0.5	1		SNA
23	COVER-JACK	BN63-01653X	ROME 40* PAL, ABS_V0	1		SNA
		BN63-01642X	ROME 40* NT, ABS_V0	1		SNA
		BN63-01646X	JD/S040+, ABS_V0	1		SNA
24	ASSY COVER P-REAR	BN96-01795X	ROME 40*,HIPS_V0	1		SA
25	SCREW-TAPTITE	6002-001284	BH,M,L16 ZPC(BLK)	4		SA
26	ASSY STAND	BN96-01796A	ROME40*	1		SA

6-5 LE23R41B



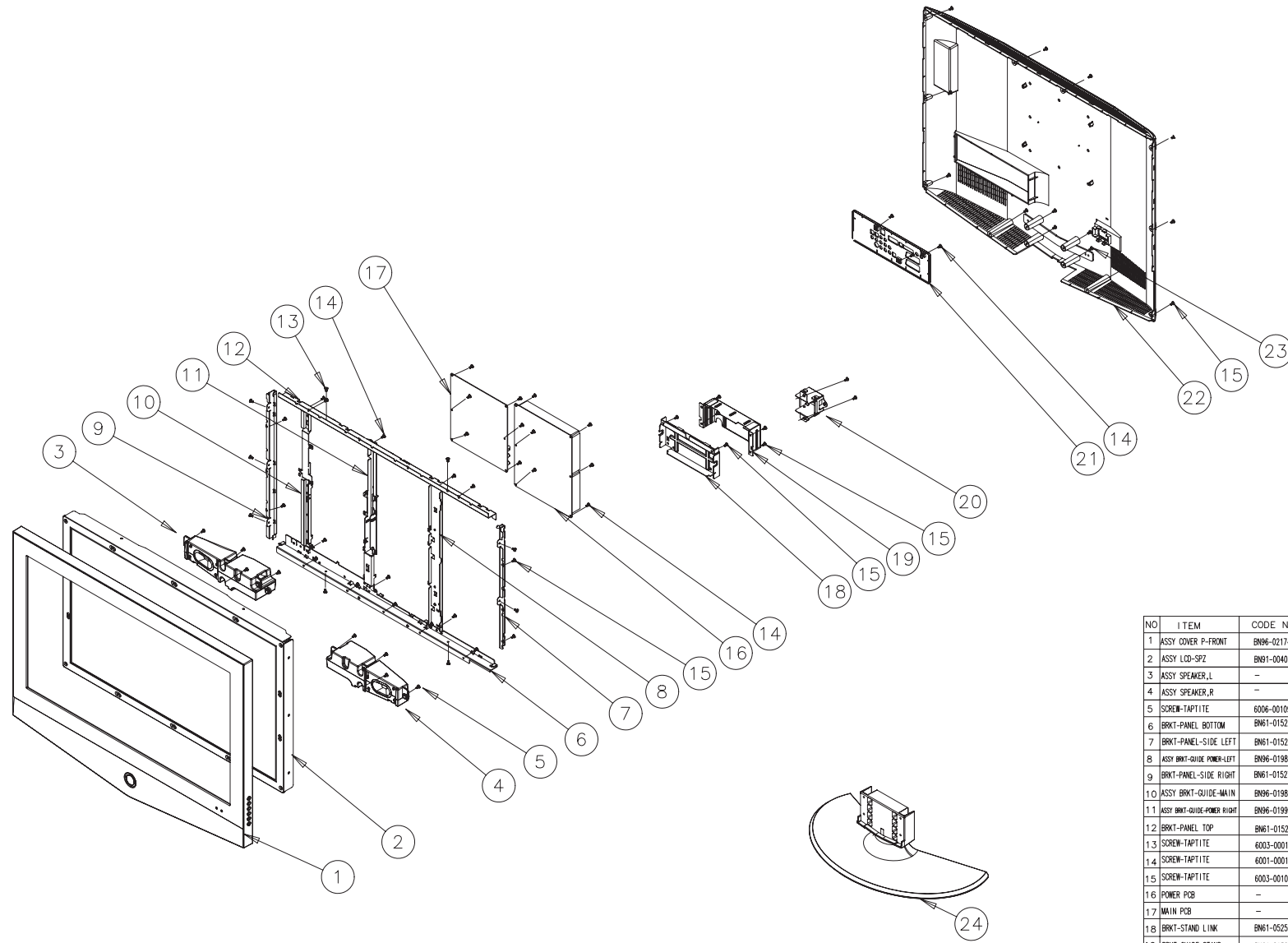
NO	ITEM	CODE NO.	SPECIFICATION	QTY	LOCATION	REMARK
1	ASSY COVER P-FRONT	BN06-02150A	ROME 23" * ABS HB ,RNCM	1		
2	ASSY COVER P-MIDDLE	BN06-02153A	ROME 26" *ABS VO ORS03	1		
3	ASSY SPEAKER_R	BN06-01772A	3W/16ohm	1		
4	SCREEN-TAPTITE	6006-001096	WP,BH,MM,L12,BLK,SMGCH18A	4	MIDDLE+SPK	
5	ASSY-LOD-SPZ	BN01-60083C	LTA23MM-L02,BBLT	1		
6	BRKT-GUIDE STAND	BN01-01523A	ROME 32" SECC T1.0	1		
7	SCREEN-TAPTITE	6003-001003	BH,MM,L12 ZPC(BLK)	4	MIDDLE+MKT GUIDE STAND	
8	BRACKET-PCB	BN01-01771A	SECC T1.0	1		
9	BRKT-PANEL SIDE	BN01-01564A	SECC T1.2	3		
10	MAIN PCB	-	ROME 23"	1		
11	POWER PCB	-	ROME 23"	1		
12	SCREEN-TAPTITE	6003-000115	BH,MS,L6 ZPC(BLK)	10	BRACKET-PANEL+PCB BRACKET-PCB+POWER-PCB	
13	ASSY SHIELD PCB	BN06-01728A	SECC T0.5	1		
14	COVER-JACK	BN03-01728A	ABS_VO,ORS03_READY(W/NSC)	1		
15	SCREEN-TAPTITE	6003-000133	BH,MM,L8 ZPC(BLK)	3	COVER-JACK+PCB	
16	ASSY COVER P-REAR	BN06-01725A	HIPS VO ORS03	1		
17	SCREEN-TAPTITE	6002-001294	BH,MM,L16 ZPC(BLK)	9	MIDDLE+H/COVER	
18	ASSY SPEAKER_L	BN06-01771A	3W/16ohm	1		
19	SCREEN-TAPTITE	6003-001003	BH,MM,L12 ZPC(BLK)	3	PANEL+MIDDLE	
20	SCREEN-TAPTITE	6003-000133	BH,MM,L8 ZPC(BLK)	4	PANEL+BRACKET-PCB	
21	SCREEN-TAPTITE	6003-001003	BH,MM,L12 ZPC(BLK)	5	BRACKET-PCB+H/COVER	
22	SCREEN-TAPTITE	6003-000115	BH,MS,L6 ZPC(BLK)	8		
23	ASSY STAND	BN00-00697A	ROME23"	1		

6-6 LE26R41B



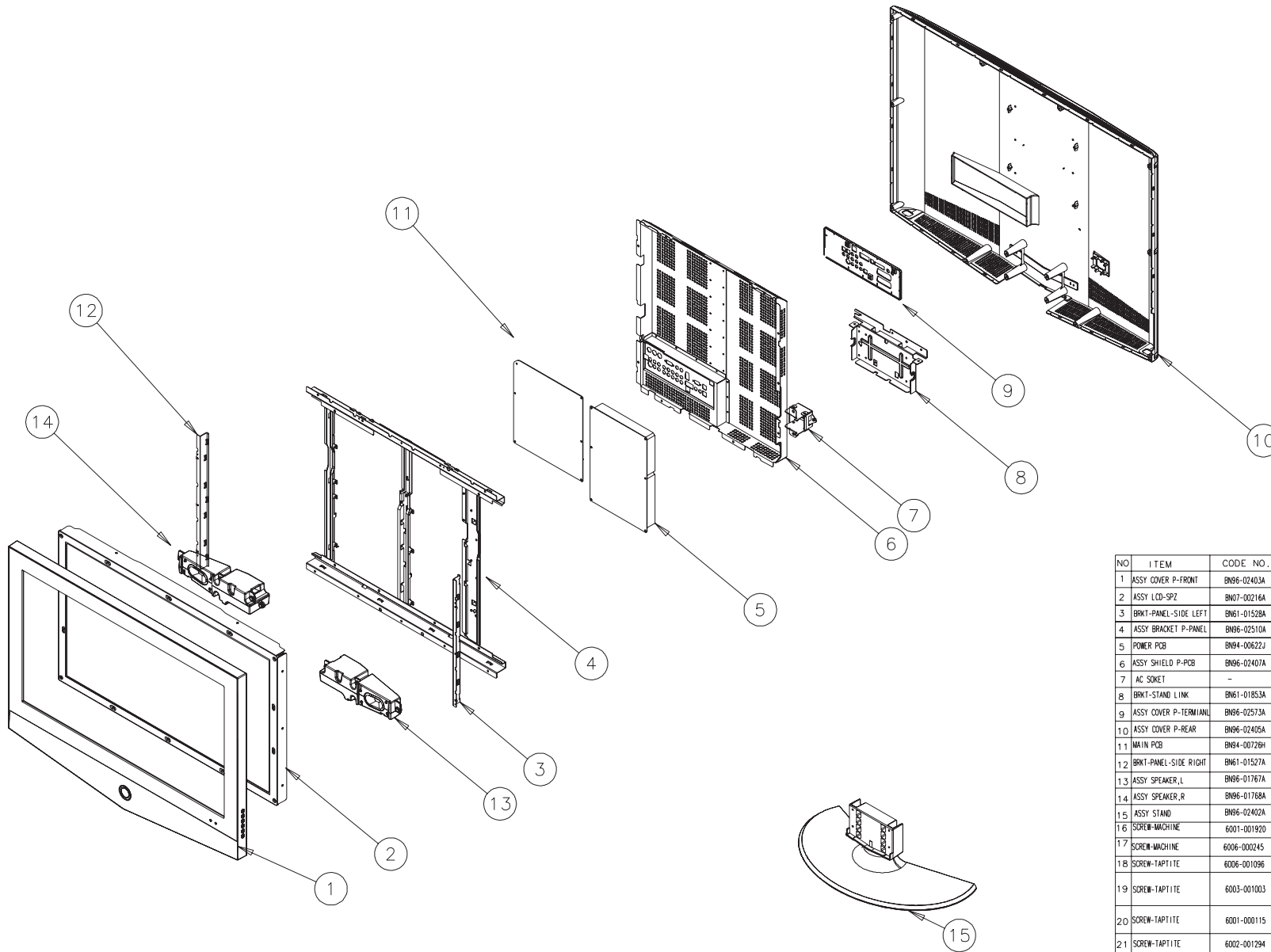
NO	ITEM	CODE NO.	SPECIFICATION	Q'TY	LOCATION	REMARK
1	ASSY COVER P-FRONT	BN96-02149A	ROME 26" , ABS HB ,RROM	1		
2	ASSY COVER P-MIDDLE	BN96-02152A	ROME 26" ABS	1		
3	ASSY SPEAKER,R	BN96-01770A	5W/16ohm	1		
4	SCREW-TAPTITE	6003-001003	BH,MM,L12 ZPC(BLK)	8	MIDDLE+SPK	
5	ASSY-LCD-SPZ	BN07-00209A	RE26HD-A10	1		
6	BRKT-STAND LINK	BN61-01525A	ROME 32",SECC T1.6	1		
7	BRKT-GUIDE STAND	BN61-01523A	ROME 32",SECC T1.0	1		
8	SCREW-TAPTITE	6003-001003	BH,MM,L12 ZPC(BLK)	6	MIDDLE+BRKT STAND LINK	
9	SCREW-TAPTITE	6003-000133	BH,MM,L8 ZPC(BLK)	4	BRKT+PANEL	
10	BRKT-PANEL BOTTOM	BN61-01772A	ROME 26",SECC T1.6	1		
11	SCREW-MACHINE	6006-000245	WSP,PH,+MM,L8,ZPC(YEL)	1	GROUND+BRKT	
12	BRKT-PANEL SIDE	BN61-01525A	ROME 32",SECC T1.6	4		
13	SCREW-TAPTITE	6001-000115	BH,MS,L6 ZPC(BLK)	6	BRKT+BRKT	
14	ASSY BRKT+GUIDE POWER(L)	BN96-02299A	ROME 26",SECC T1.2	1		
15	SCREW-TAPTITE	6003-001003	BH,MM,L12 ZPC(BLK)	5	MIDDLE+BRKT	
16	POWER PCB	-	ROME 26"			
17	SCREW-TAPTITE	6001-000115	BH,MS,L6 ZPC(BLK)	12	PCB+BRKT	
18	SCREW-TAPTITE	6003-001003	BH,MM,L12 ZPC(BLK)	1	POWER SOCKET+BRKT	
19	ASSY COVER P-TERMINAL	BN96-01995A	ROME 26",32" ABS,VO	1		
20	SCREW-TAPTITE	6001-000115	BH,MS,L6 ZPC(BLK)	3	PCB+COVER JACK	
21	ASSY COVER P-REAR	BN96-01736A	ROME 26" ABS	1		
22	SCREW-TAPTITE	6002-001294	BH,MM,L16 ZPC(BLK)	9	C/T-MIDDLE+C/R	
23	ASSY SPEAKER,L	BN96-01769A	5W/16ohm	1		
24	BRKT-GUIDE MAIN	BN61-01568A	ROME 26",SECC T1.2	1		
25	ASSY BRKT+GUIDE POWER(R)	BN96-02299A	ROME 26",SECC T1.2	1		
26	BRKT-PANEL TOP	BN61-01773A	ROME 26",SECC T1.2	1		
27	MAIN PCB	-	ROME 26"	1		
28	ASSY STAND	BN90-00694A	ROME26"	1		

6-7 LE32R41B



NO	ITEM	CODE NO.	SPECIFICATION	QTY	LOCATION	REMARK
1	ASSY COVER P-FRONT	BN96-02174A	ROME 32" , ABS HB , P/PCM	1		
2	ASSY LCD-SPZ	BN91-00407K	DU32E0	1		
3	ASSY SPEAKER_L	--	ROME	1		
4	ASSY SPEAKER_R	--	ROME	1		
5	SCREW-TAPTITE	6006-001096	BH,M,L12 BLK	8		MIDDLE+SPEAKER
6	BRKT-PANEL BOTTOM	BN61-01529A	ROME 32",SECC T1.6	1		BRKT-PANEL
7	BRKT-PANEL-SIDE LEFT	BN61-01528A	ROME 32",SECC T1.2	1		BRKT-PANEL
8	ASSY BRKT-GUIDE-POWER-LEFT	BN96-01989A	ROME 32",SECC T1.2	1		
9	BRKT-PANEL-SIDE RIGHT	BN61-01527A	ROME 32",SECC T1.2	1		BRKT-PANEL
10	ASSY BRKT-GUIDE-MAIN	BN96-01988A	ROME 32",SECC T1.2	1		
11	ASSY BRKT-GUIDE-POWER RIGHT	BN96-01990A	ROME 32",SECC T1.2	1		
12	BRKT-PANEL TOP	BN61-01526A	ROME 32",SECC T1.2	1		BRKT-PANEL
13	SCREW-TAPTITE	6003-000133	BH,M,L18 ZPC(BLK)	9		BRKT-PANEL
14	SCREW-TAPTITE	6001-000115	BH,M3,L16 ZPC(BLK)	18		POWBRKT,BRKT-BRKT
15	SCREW-TAPTITE	6003-001003	BH,M,L12 ZPC(BLK)	22		
16	POWER PCB	--	ROME	1		
17	MAIN PCB	--	ROME	1		
18	BRKT-STAND LINK	BN61-0525A	ROME 32",SECC T1.6	1		
19	BRKT-GUIDE STAND	BN61-01523A	ROME 32",SECC T1.0	1		
20	AC SOCKET	--	ROME	1		
21	ASSY COVER P-TERM/MAIN	BN96-01995A	ROME 40" ,ABS_V0	1		
22	ASSY COVER P-REAR	BN96-01732A	ROME 32" ,HIPS_V0	1		
23	SCREW-TAPTITE	6002-001294	BH,M,L16 ZPC(BLK)	19		
24	ASSY STAND	BN96-01733A	ROME32"	1		

6-8 LE37R41B



NO	ITEM	CODE NO.	SPECIFICATION	Q'TY	LOCATION	REMARK
1	ASSY COVER P-FRONT	BN96-02403A	ROME-11, 37EQ, ABS, HB, BK23 STEAM MOLD	1		
2	ASSY LCD-SPZ	BN07-00216A	LQ37013L241_Rome2	1		
3	BRKT-PANEL-SIDE LEFT	BN61-01528A	ROME 32*, SECC T1, 2	1	BRKT+PANEL	
4	ASSY BRACKET P-PANEL	BN96-02510A	ROME, 37EQ, SECC, READY	1	BRKT+PANEL	
5	POWER PCB	BN94-00622J	ROME, 40quot;, FREE VOLT	1		
6	ASSY SHIELD P-PCB	BN96-02407A	37 ROME2, SECC, TO, 5, READY	1		
7	AC SOCKET	-	ROME	1		
8	BRKT-STAND LINK	BN61-01853A	37 ROME-11, SECC, T1, 6	1		
9	ASSY COVER P-TERMINAL	BN96-02573A	ROME2 37*, PAL	1		
10	ASSY COVER P-REAR	BN96-02405A	ROME-11, 37, HIPS, HB, CR503	1		
11	MAIN PCB	BN94-00726H	ROME	1		
12	BRKT-PANEL-SIDE RIGHT	BN61-01527A	ROME 32*, SECC T1, 2	1	BRKT+PANEL	
13	ASSY SPEAKER, L	BN96-01767A	ROME	1		
14	ASSY SPEAKER, R	BN96-01768A	ROME	1		
15	ASSY STAND	BN96-02402A	ROME-11, 37, ABS, HB, 070, SV012P	1		
16	SCREW-MACHINE	6001-001920	PH, +, MWP, M6, L125, BRCH18A	9	BRKT+PANEL	
17	SCREW-MACHINE	6006-000245	MSP, PH, +, MM, L8, 2PC(YEL), SMDT1	1	GROUND	
18	SCREW-TAPTITE	6006-001096	BH, MM, L12 BLK	4	MIDDLE+SPEAKER	
19	SCREW-TAPTITE	6003-001003	BH, MM, L16 2PC(BLK)	43	ASSY COVER P-FRONT, IR-PCB+MIDDLE, POWER SW+MIDDLE, BRKT+MIDDLE	
20	SCREW-TAPTITE	6001-000115	BH, M3, L6 2PC(BLK)	29	PCB+BRKT, BRKT+BRKT, ASSY BRACKET P-PANEL	
21	SCREW-TAPTITE	6002-001294	BH, +, M, L16, 2PC(BLK)	20	MIDDLE+REAR ASSY STAND	
22	SCREW-TAPTITE	6003-001239	PH, +, B, MM, L10, 2PC(YEL)	8	ASSY STAND	