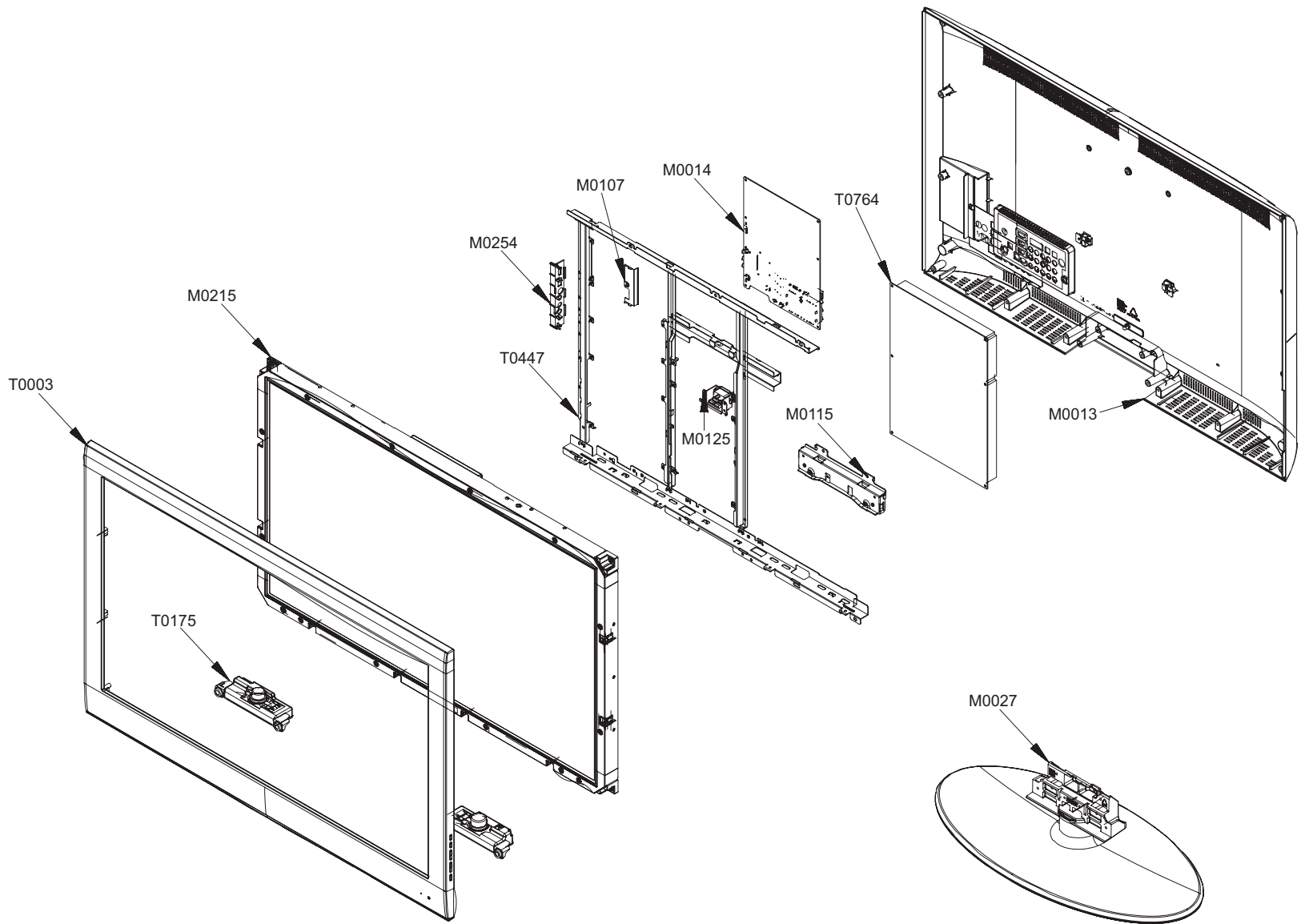


5-2. LE37A55\*P Exploded View



**5-2-1. LE37A55\*P Parts List**

Location No.	Code No.	Description & Specification	Q'ty	S.A/S.N.A	Remark
T0003	BN96-07427D	ASSY COVER P-FRONT;37L550,P3,EO(iDTV),AB	1	S.N.A	
T0175	BN96-06818B	ASSY SPEAKER P;8ohm,CORAL,L450,10W,4pin,	1	S.A	
M0215	BN07-00514A	LCD-PANEL;T370HW02 V4	1	S.A	
T0447	BN96-06880A	ASSY BRACKET P-PANEL;37L550P3,,SECC,,,PE	1	S.N.A	
M0115	BN61-02882A	BRACKET-STAND LINK;TULIP,40,SECC,T1.6,-,	1	S.A	
M0107	BN63-03039A	SHIELD-COVER;MURANO40,PCM,T0.5,IDTV	1	S.N.A	
M0254	BN61-02875E	HOLDER-SIDE AV;40F8,EO,HIPS V0,-,-,-,BK5	1	S.N.A	
M0014	BN94-01656A	ASSY PCB MAIN-AUO;LE37A556P1FX,N46A	1	S.A	
M0125	BN96-04817B	ASSY INLET P;LNT4081FX,XAA,250mm,250mm,-	1	S.A	
T0764	BN44-00216A	SMPS-LCDTV;MK37P5T,SEM,AC/DC,171W,AC100	1	S.A	
M0013	BN96-06948B	ASSY COVER P-REAR;37L530,EO(iDTV),HIPS,H	1	S.A	
M0027	BN96-04754A	ASSY STAND P-BASE;-,-,37,40S81,-,-ABS+PMMA,	1	S.A	