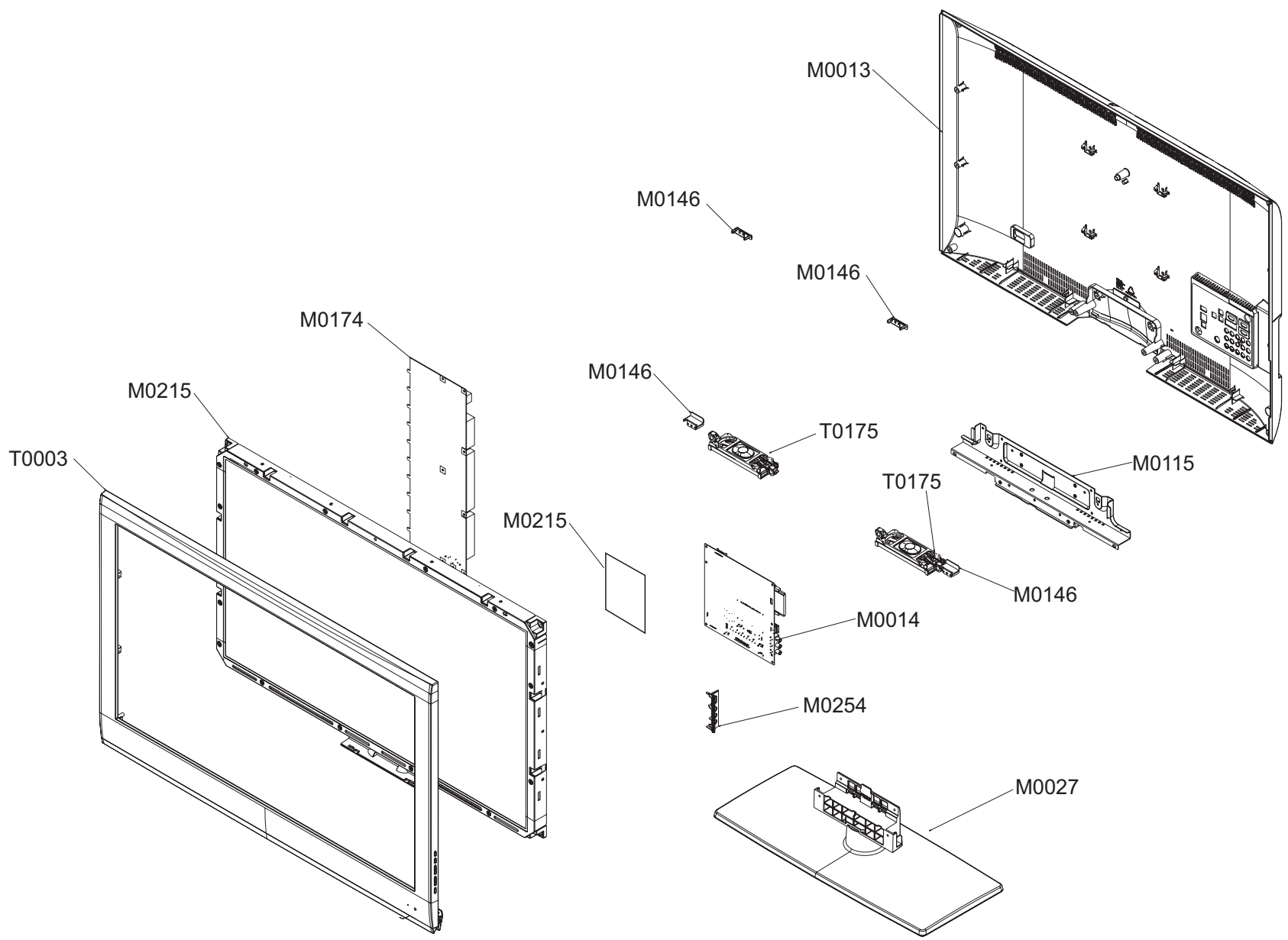


5-2. LE37B53*** Exploded View



5-2-1. LE37B53* Parts List**

Location No.	Code No.	Description & Specification	Q'ty	S.A/S.N.A	Remark
T0003	BN96-09659B	ASSY COVER P-FRONT;LB530 37,EO,ABS+PMMA,	1	S.A	
M0013	BN96-09715A	ASSY COVER P-REAR;LB530 37,EO,HIPS,HB,BK	1	S.A	
M0215	BN07-00643A	LCD-PANEL;T370HW02 VC	1	S.A	
M0174	BN44-00262A	IP BOARD;PSIV181E01A,H37F1_9SS,0.1mA,10m	1	S.A	
M0146	BN61-03414A	BRACKET-PANEL TOP;PEONY52,SECC T1.2	4	S.A	
M0014	BN94-02519B	ASSY PCB MAIN;LE37B530P7WXXC	1	S.A	
M0254	BN61-04799A	HOLDER-SIDE AV;B450/B530,HIPS,HB,BK500,1	1	S.N.A	
T0175	BN96-09463B	ASSY SPEAKER P;8ohm,4pin,10W,R:200/ L:50	1	S.A	
M0115	BN61-04918A	BRACKET-STAND LINK;40, B610,SECC,T1.6	1	S.N.A	
M0027	BN96-09644A	ASSY STAND P-BASE;LB530 37,40,ABS+PMMA,H	1	S.A	