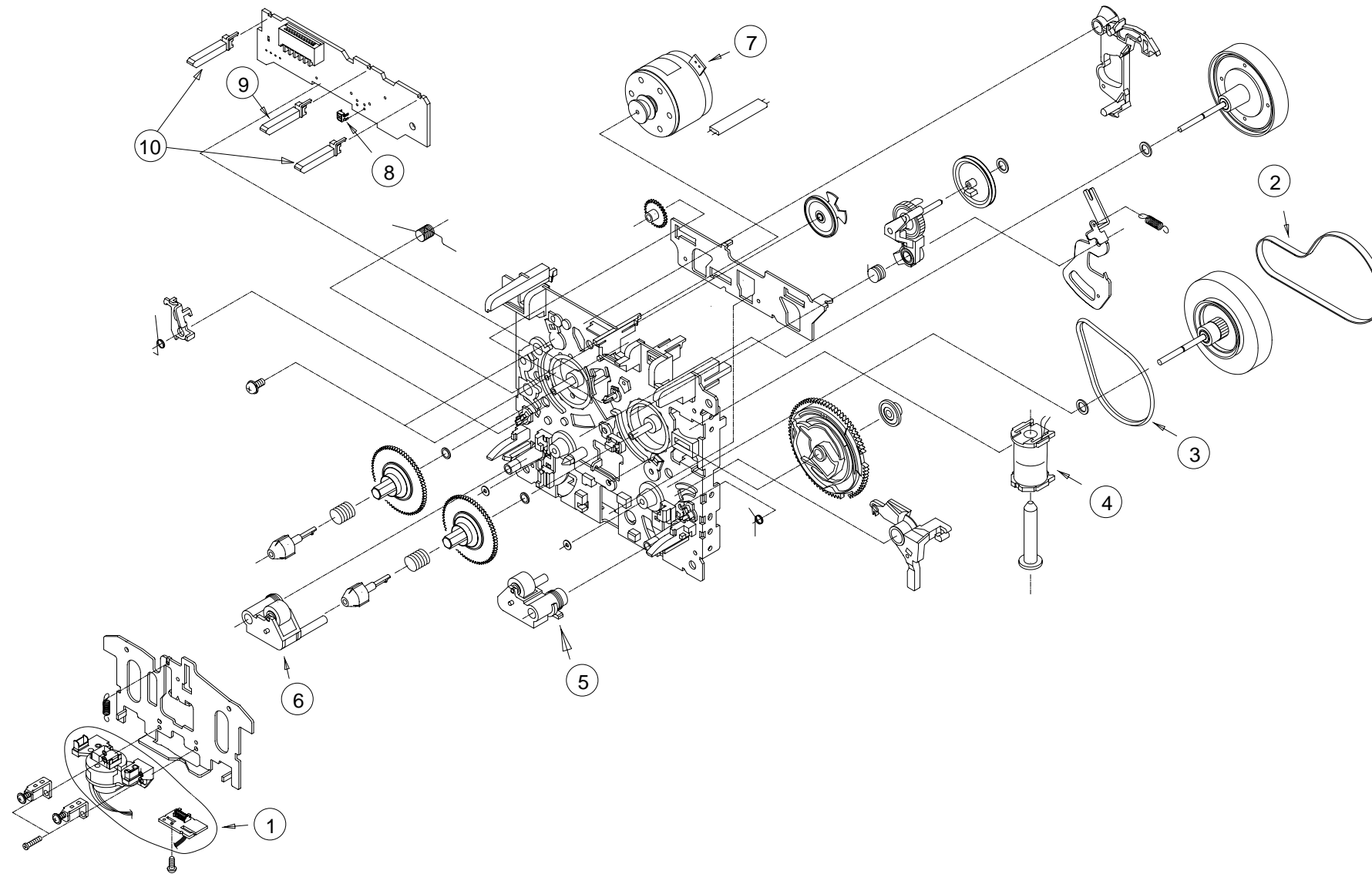


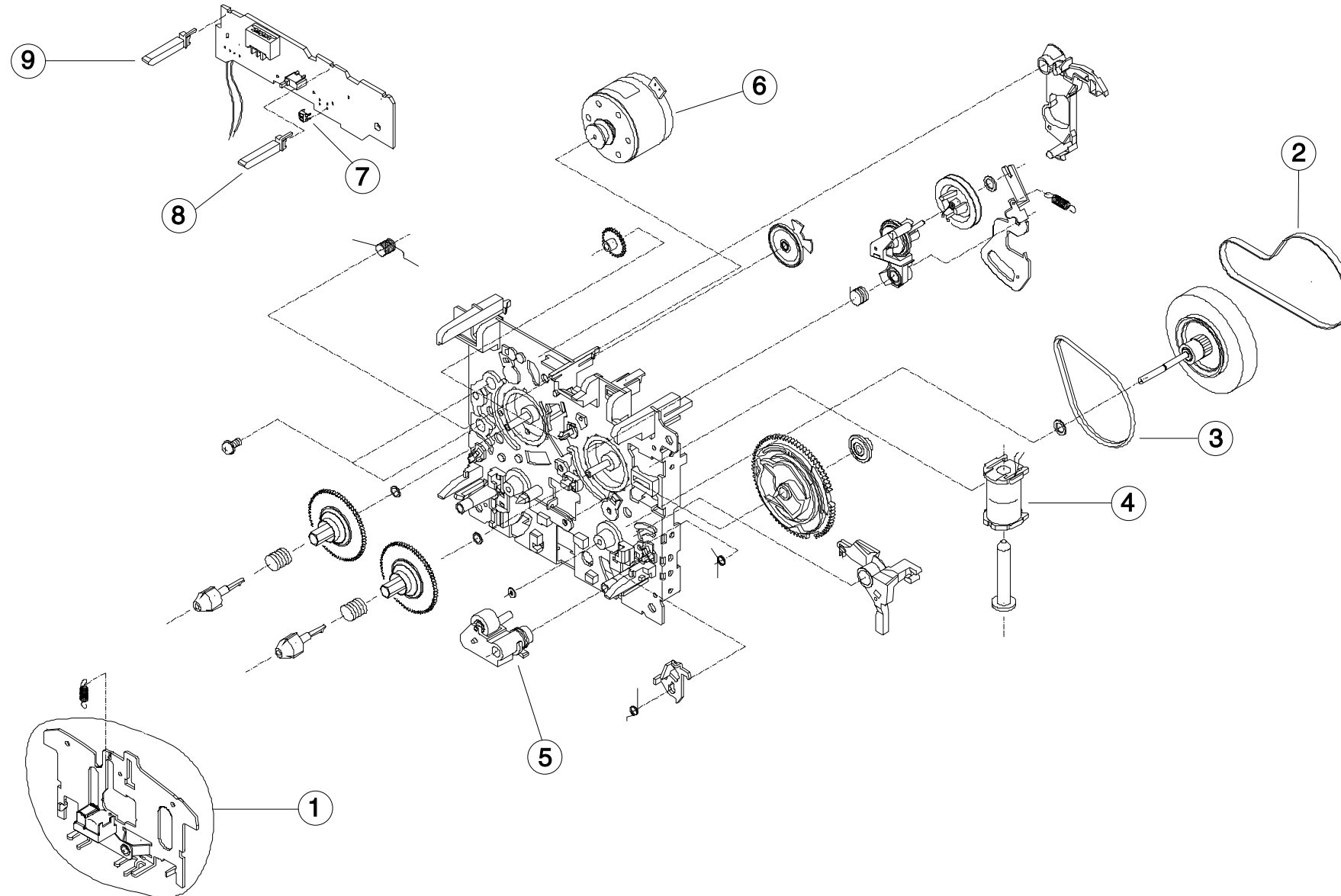
2.Exploded Views and Parts List

2-1-1 Cassette Deck (Auto Reverse : OPTION)



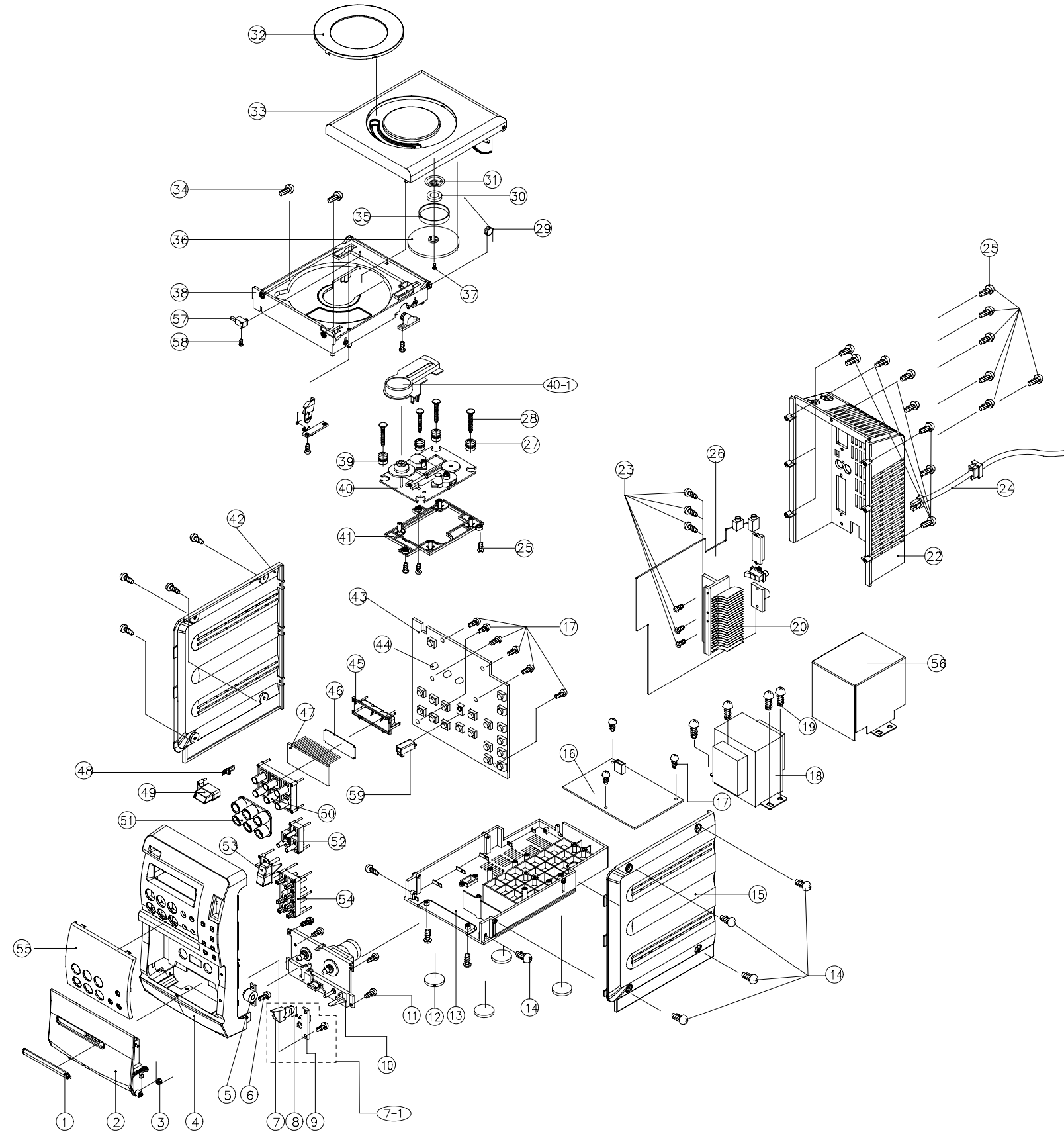
No.	Code No.	Description	Specification	Remarks
	AH59-01087A	DECK -CASSETTE	CMAL1Z230A	DC 12V
1	AH81-00543A	R/P HEAD ASS'Y	HADKH5655A	F513-853
2	AH81-00733A	MAIN BELT	MAIN BELT	
3	AH81-00543C	F/R BELT	FF19S-31	FF19S-31
4	AH81-00543D	SOLENOID	F765-292	F765-292
5	AH81-00543E	ROLLER PINCH BLK R	F514-129	F514-129
6	AH81-00543F	ROLLER PINCH BLK L	F514-130	F514-130
7	AH81-00734A	MOTOR	CCM09-120L-1-2	
8	AH81-00543H	REEL SENSOR	SG-107F3;KODENSHI	
9	AH81-00543J	LEAF S/W - WHITE	SPLFF	
10	AH81-00543K	LEAF S/W - BLK	SPLFE1	

2-1-2 Cassette Deck (Auto Stop : OPTION)



No.	Code No.	Description	Specification	Remarks
	AH59-01086A	DECK-CASSETTE	CMAL5Z217A	DC12V
1	AH81-00732A	A/S-R/P HEAD ASS'Y	HASVH5503B,,R/P HE	
2	AH81-00733A	A/S-MAIN BELT	MAIN BELT	
3	AH81-00543C	A/S-F/R BELT	FF19S-31,FF19S-31,F/R BELT,	
4	AH81-00543D	A/S-SOLENOID	F765-292,F765-292,SOLENOID,	
5	AH81-00543E	A/S-ROLLER PINCH BLK R	F514-129,F514-129	
6	AH81-00734A	A/S-MOTOR	CCM09-120L-1-2	
7	AH81-00543H	A/S-REEL SENSOR	SG-107F3;KODENSHI,-,REEL	
8	AH81-00543J	A/S-LEAF SW-WHITE	SPLFF,-,LEAF S/W-WHIT	
9	AH81-00543K	A/S-LEAF SW-BLK	SPLFF1,-,LEAF S/W-BLK	

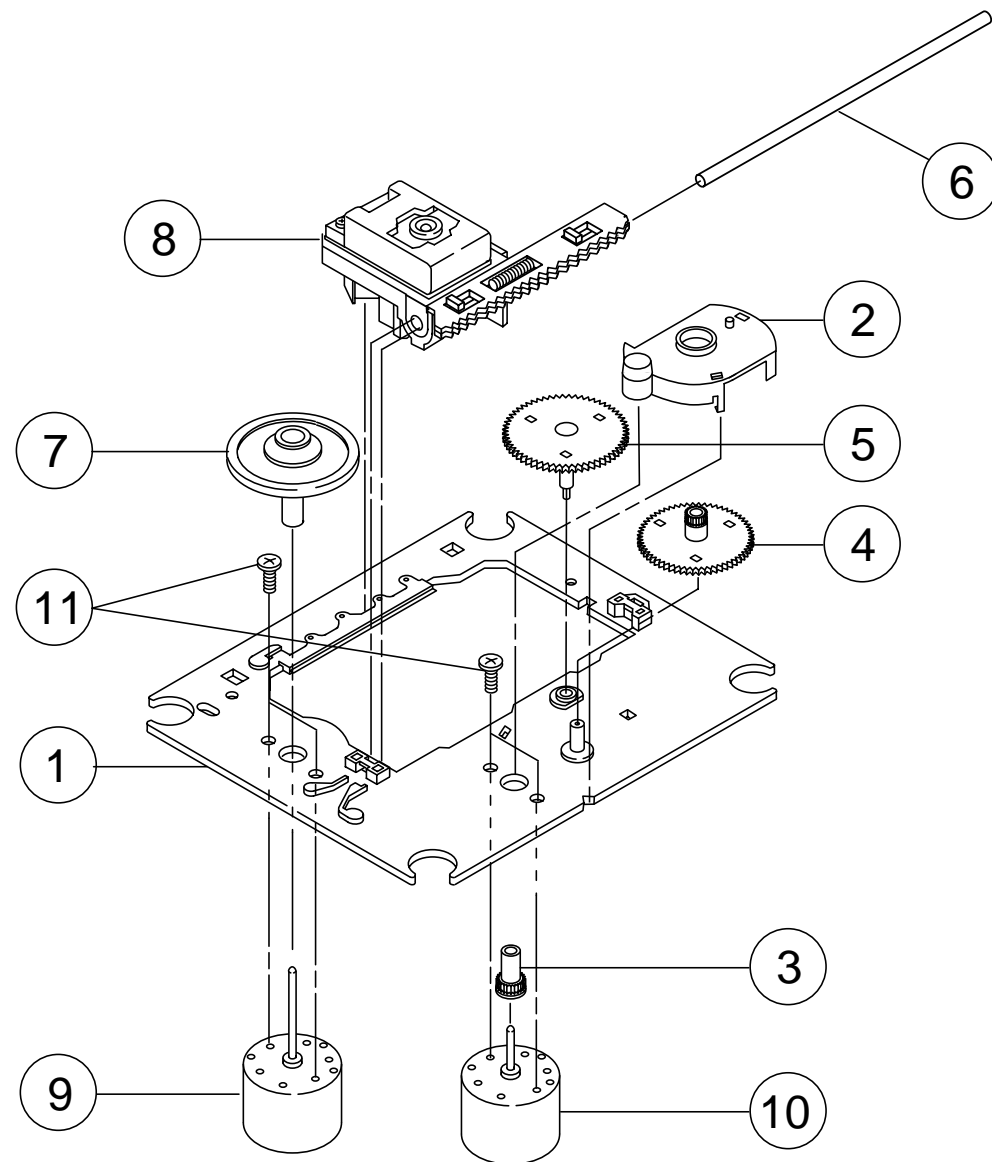
2-2 Total Exploded View and Parts List



* Parts List

No.	Code No.	Description	Specification	Q'TY
1	AH81-00552X	LENS CASS	0101-46546-00 PMMA W/S.S	1
2	AH81-00553E	CASS DOOR	0101-46532-00 ABS MOLD.COL.SPY	1
3	AH81-00911R	CASS DOOR SPRING	0102-44000-00 SWIC-F	1
4	AH81-00555F	CABINET FRONT	0101-46527-00 HIPS MOLD.COL.SPY	1
5	AH61-80030A	DAMPER ASS'Y	0101-46178-00 ASS'Y	2
7-1	AH95-50001A	LATCH ASS'Y	HOOK + HOOK SPRING	1
7	AH81-00384T	HOOK	0101-45627-00 ABS MOLD.BLK	2
8	AH81-00385J	HOOK SPRING	0102-43847-00 Dia.0.3mm MUSIC WIRE	2
9	AH81-00384U	HOOK BRACKET	0101-45628-00 ABS MOLD.BLK	2
10	AH59-01086A	CASS DECK	CMAL5Z217A (AUTO-STOP)	1
12	AH81-00551C	RUBBER FOOT	0109-40485-00 Dia9.6x2.5mm	4
13	AH81-00556D	CABINET BOTTOM	0101-46476-00 HIPS MOLD.COL	1
15	AH81-00557J	CABINET SIDE R	0101-46478-00 HIPS MOLD.COL.DARK GREY HDG-2269R	1
20	AH81-00911F	HEAT SINK	0102-43999-00 ALUMINIUM	1
22	AH81-00558E	CABINET REAR	0101-46471-00 HIPS MOLD.COL.SPY	1
27	AH81-00454D	VIBR. PROOF RUBBER	0109-40360-01 RED COLOR (3-910-095-01)	2
29	AH81-00551Z	CD DOOR SPRING	0102-44053-00 SWIC-F	1
30	AH81-00398H	MAGNET FORCE	0110-40867-00 Dia.30x17.9x5mmTHK	1
31	AH81-00384Y	CHUCKING PLATE (A)	0102-31274-00 DIA. 40mm 0.6mmTHK MILD STEEL	1
32	AH81-00552Y	LENS CD DOOR	0101-46545-00 PMMA MOLD.COL	1
33	AH81-00559P	CD DOOR	0101-46529-01 ABS MOLD.COL.SPY,EXPORT	1
35	AH81-00384S	CHUCKING RING	0101-45620-00 ABS MOLD.BLACK	1
36	AH81-00384R	CHUCKING PLATE(B)	0101-32546-02 Dia.70mm-ABS+FIBRE-GLASS(20%)	1
38	AH81-00560E	CD CHASSIS	0101-46473-00 HIPS MOLD.COL	1
39	AH81-00454E	VIBR. PROOF RUBBER	0109-40361-01 GREEN COLOR (3-910-095-11)	2
40	AH81-00568R	CD MECHA	0115-6MML4-00,B31TG6U,CMS-P31)	1
40-1	AH61-20529A	CAP PICK-UP	ABS BLACK, RCD-390	1
41	AH81-00554D	CD MECH HOLDER	0101-46474-00 HIPS MOLD.COL	1
42	AH81-00557K	CABINET SIDE L	0101-46477-00 HIPS MOLD.COL.DARK GREY HDG-2269R	1
45	AH81-00911S	LCD HOLDER	0101-46541-00 HIPS MOLD.COL	1
46	AH81-00911D	LCD SHEET	0103-43953-00 PVC	1
47	AH81-00905J	LCD DISPLAY	0347-40144-40 76x27x1.1mm 38 PIN(B5/B3)	1
48	AH81-00922A	LENS POWER	0101-46544-00 PMMA MOLD.COL.SPY	1
49	AH81-00561R	KNOB POWER	0101-46537-00 ABS MOLD.COL.SPY	1
50	AH81-00561M	KNOB FUNCTION 1	0101-46538-00 ABS MOLD.COL.SPY	1
51	AH81-00561Q	KNOB FUNCTION DECO	0101-46543-00 MOLD.PMMA W/PLATING	1
52	AH81-00561N	KNOB FUNCTION 2	0101-46539-00 ABS MOLD.COL.SPY	1
53	AH81-00561S	KNOB VOLUME	0101-46542-00 MOLD PMMA W/PLATING	1
54	AH81-00561P	KNOB FUNCTION 3	0101-46540-00 ABS MOLD.COL.SPY	1
47	AH81-00552Z	LENS LCD	0101-46547-00 PMMA MOLD	1
57	AH81-00551V	QUICK ACTION SWITCH	0323-60208-01 LS-323-0 (1P2T)	1
59	AH81-00554E	REMOTE HOLDER	0101-46550-00 ABS MOLD.COL	1

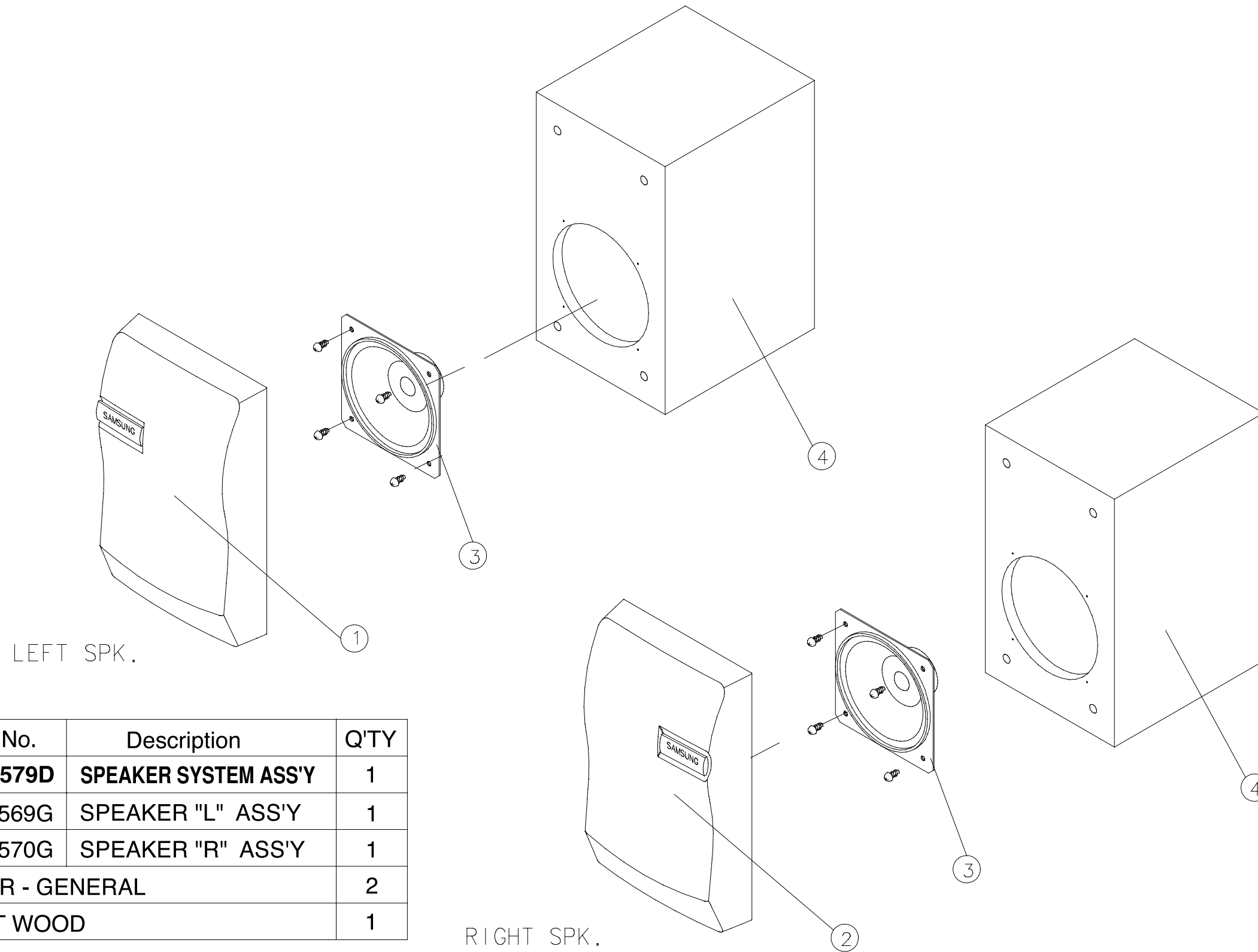
2-3 CD DECK Exploded View and Parts list



No.	Code No.	Description	Specification	Remarks
	AH81-00568R	CD MECHA	P31TG6U(CMS-P31)	
1	AH81-00635A	CHASSIS-DECK(M)	AJ70-00601E	
2	AH81-00635D	COVER-GEAR	AJ66-00601G	
3	AH81-00635B	GEAR(A)	AJ66-00601D	
4	AH81-00635E	GEAR(B)	AJ66-00601B	
5	AH81-00635F	GEAR(C)	AJ66-00601F	
6	AH81-00635G	SHAFT-PU	AJ70-00601A	
7	AH81-00635H	TURN-TABLE(T)	AJ72-00602A	
8	AH81-00635J	SOH-AA	AJ75-00601F	
9	AH81-00635K	MOTOR-SPINDLE	AJ31-00601C	
10	AH81-00635C	MOTOR-FEED	AJ31-00601A	
11	AH81-00635L	SCREW-PH	AJ60-00601D	

2-4 SPEAKER Exploded View and Parts list

* CAUTION : When the disassembly, take extreme care not to damage the SPEAKER.



NO	CODE No.	Description	Q'TY
	AH81-00579D	SPEAKER SYSTEM ASS'Y	1
1	AH81-00569G	SPEAKER "L" ASS'Y	1
2	AH81-00570G	SPEAKER "R" ASS'Y	1
3	SPEAKER - GENERAL		2
4	CABINET WOOD		1