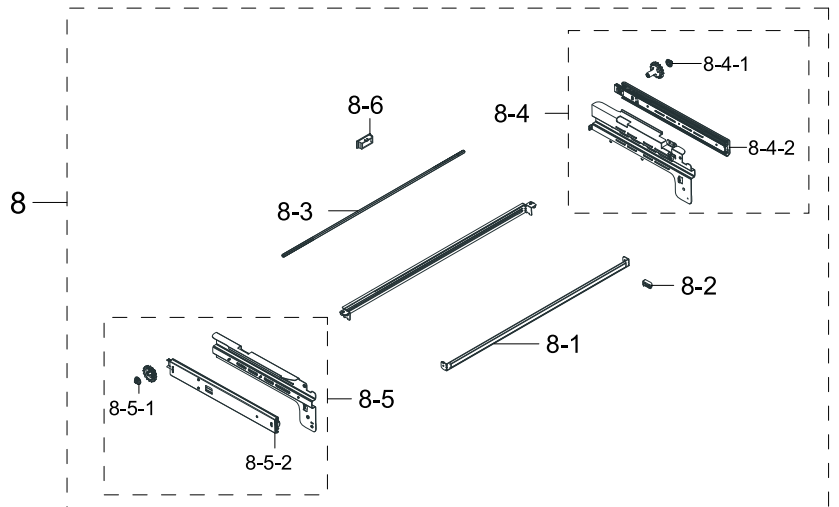
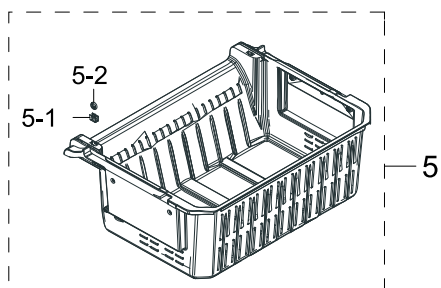
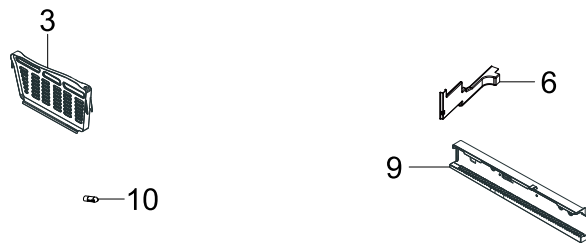
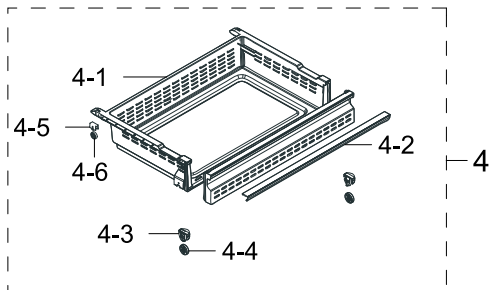
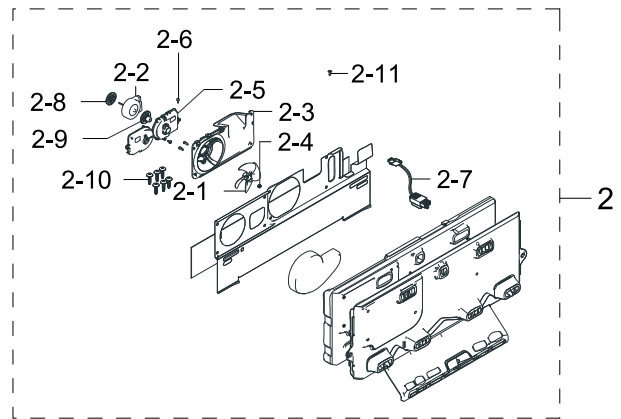
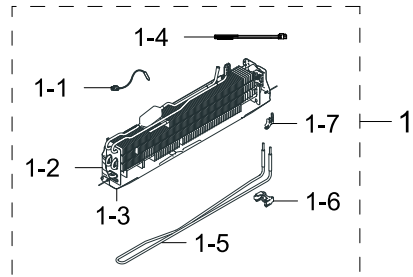
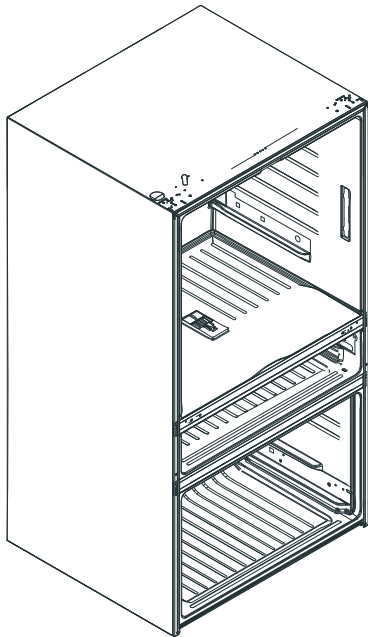


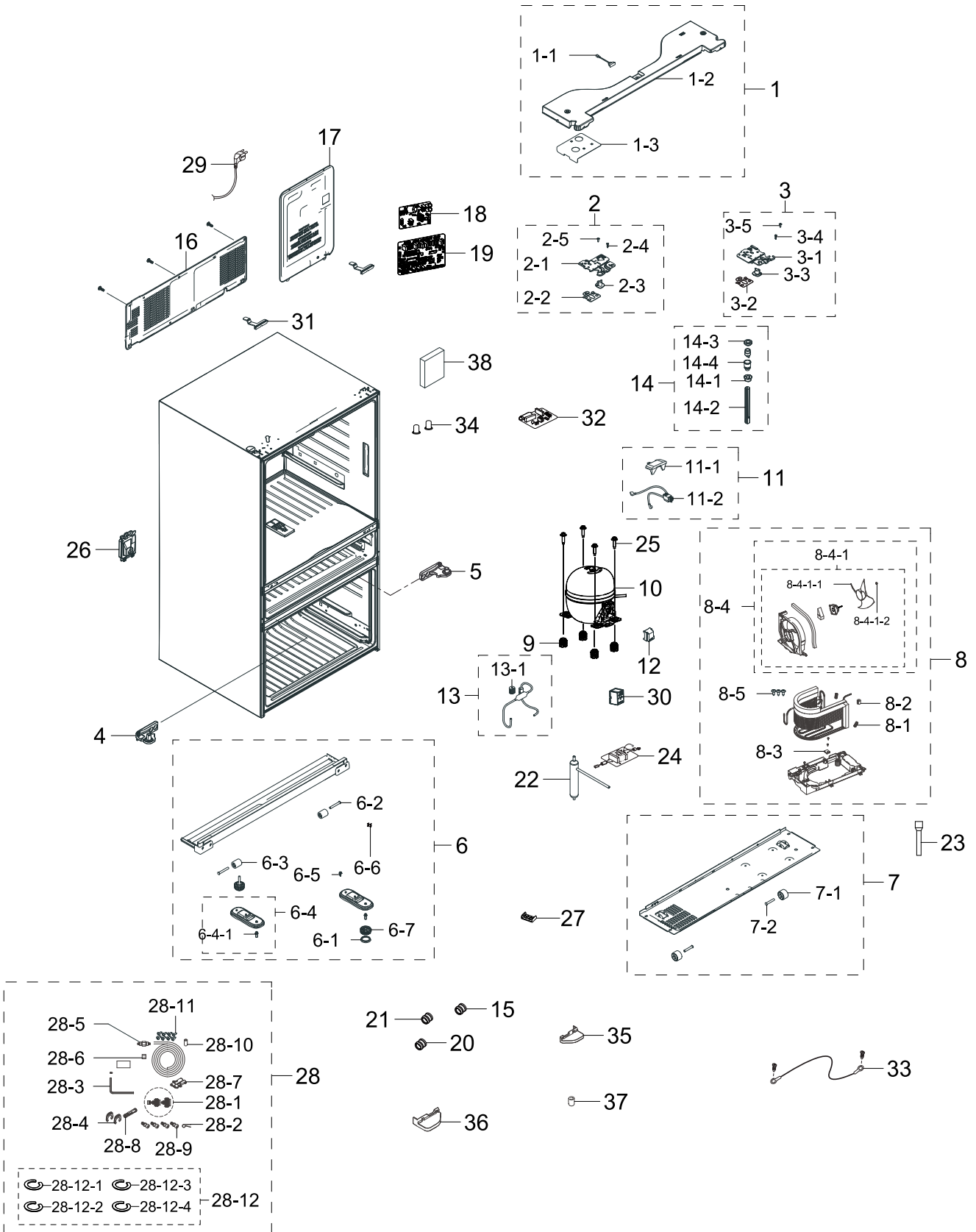
1. RF24FSEDBSR/ES_Freezer

Exploded View



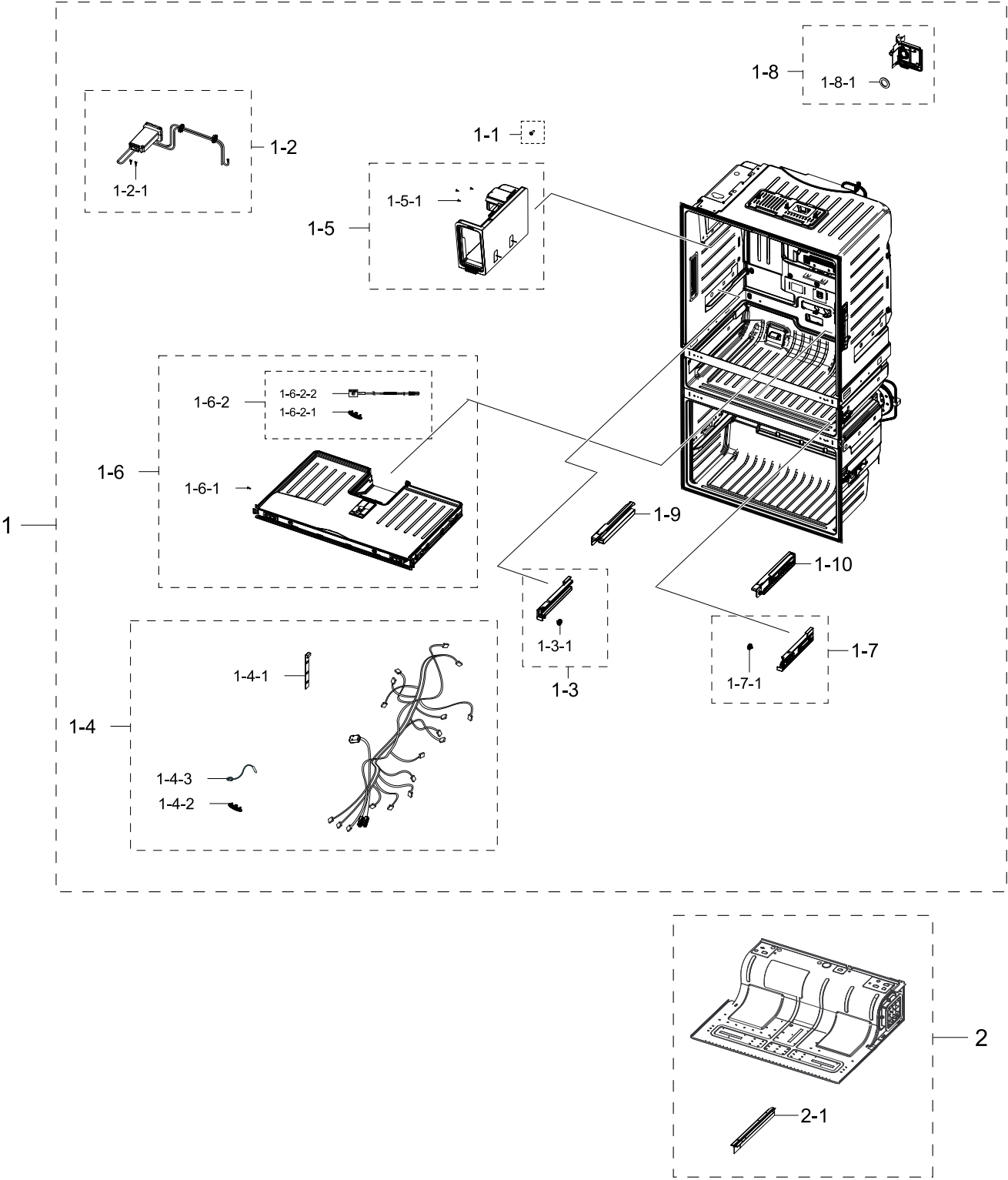
3. Cabinet

Exploded View



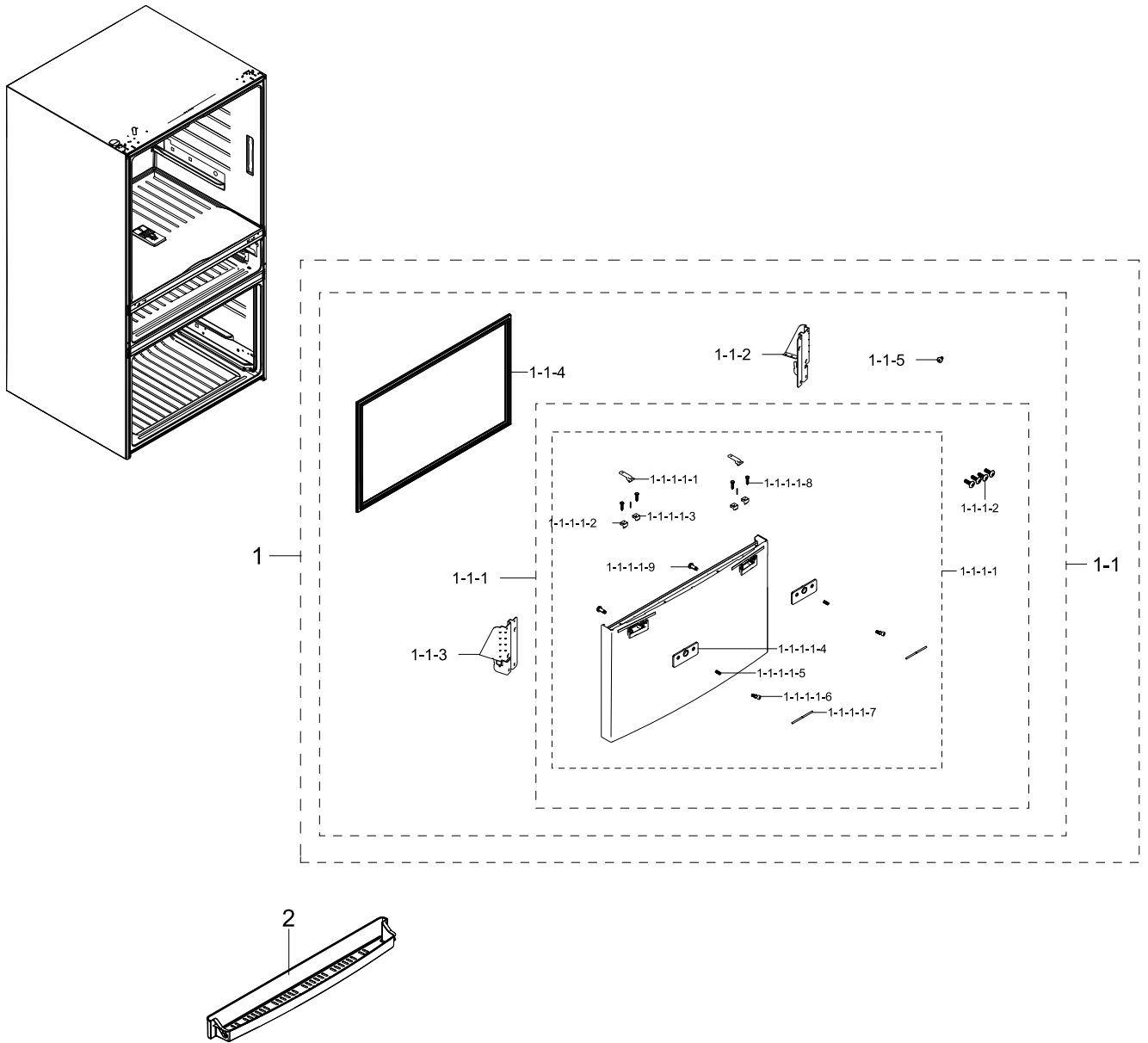
4. Cabinet_2

Exploded View



5. Freezer-Door

Exploded View

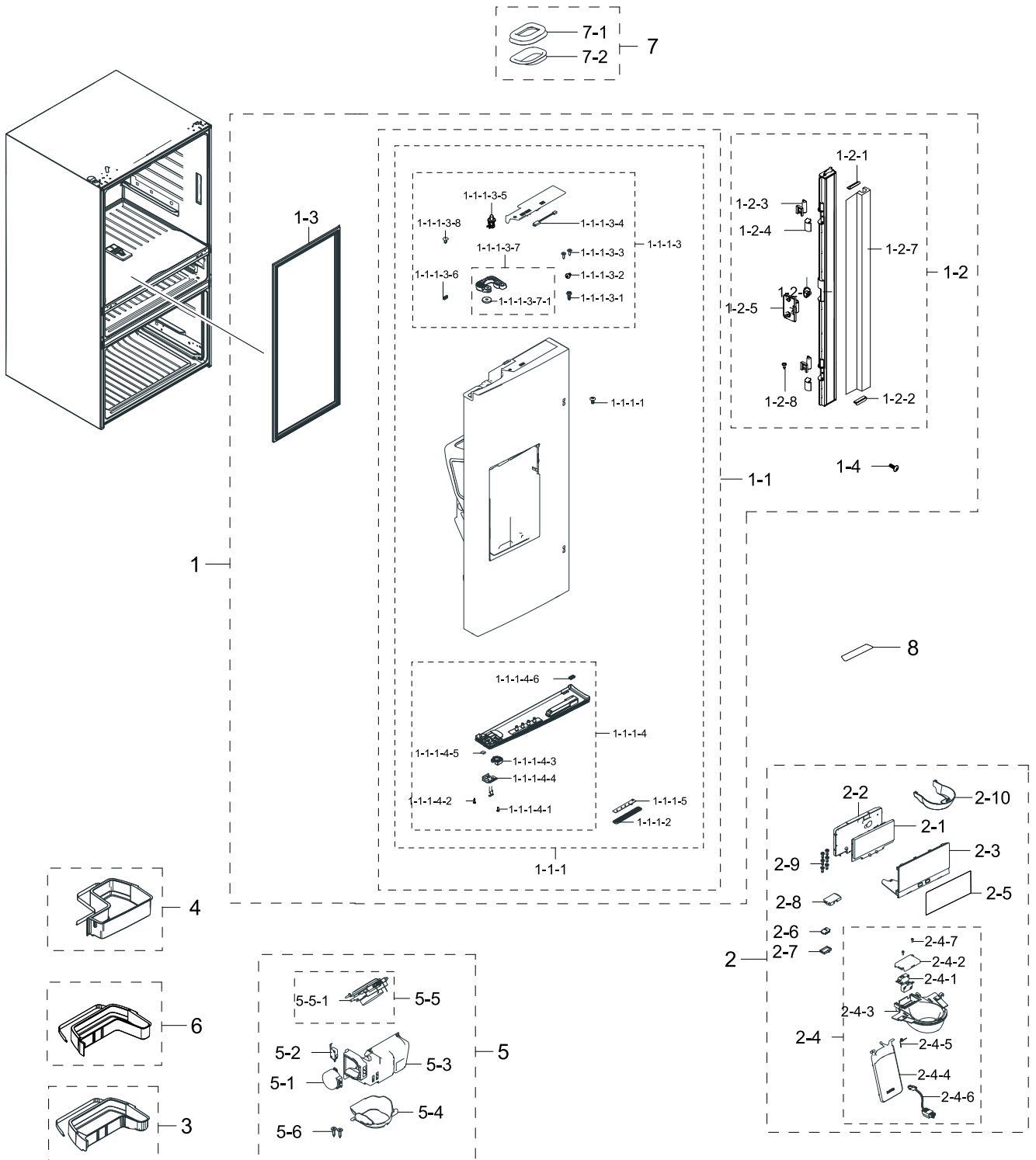


Parts List

No.	Lvl.	Loc.	Material Code	Description & Specification	SNA	Qty.
1	2		DA93-00224C	ASSY DOOR SUB-FRE; REAL STS430J1L	SNA	1
1-1	3	RD001	DA90-08947H	ASSY DOOR FRE; REAL STS430J1L	SNA	1
1-1-1	4	RD001	DA91-04290H	ASSY DOOR FOAM-FRE; AW4-4D,Real Sts,K150	SA	1
1-1-1-1	5		DA97-14207H	ASSY PLATE DOOR-FRE; AW4-4D,Real STS(Coat	SNA	1
1-1-1-1-16		RU036	DA61-08234A	SLIDER-EASY HANDLE; AW4,POM,CREAMY-STs,F2	SA	2

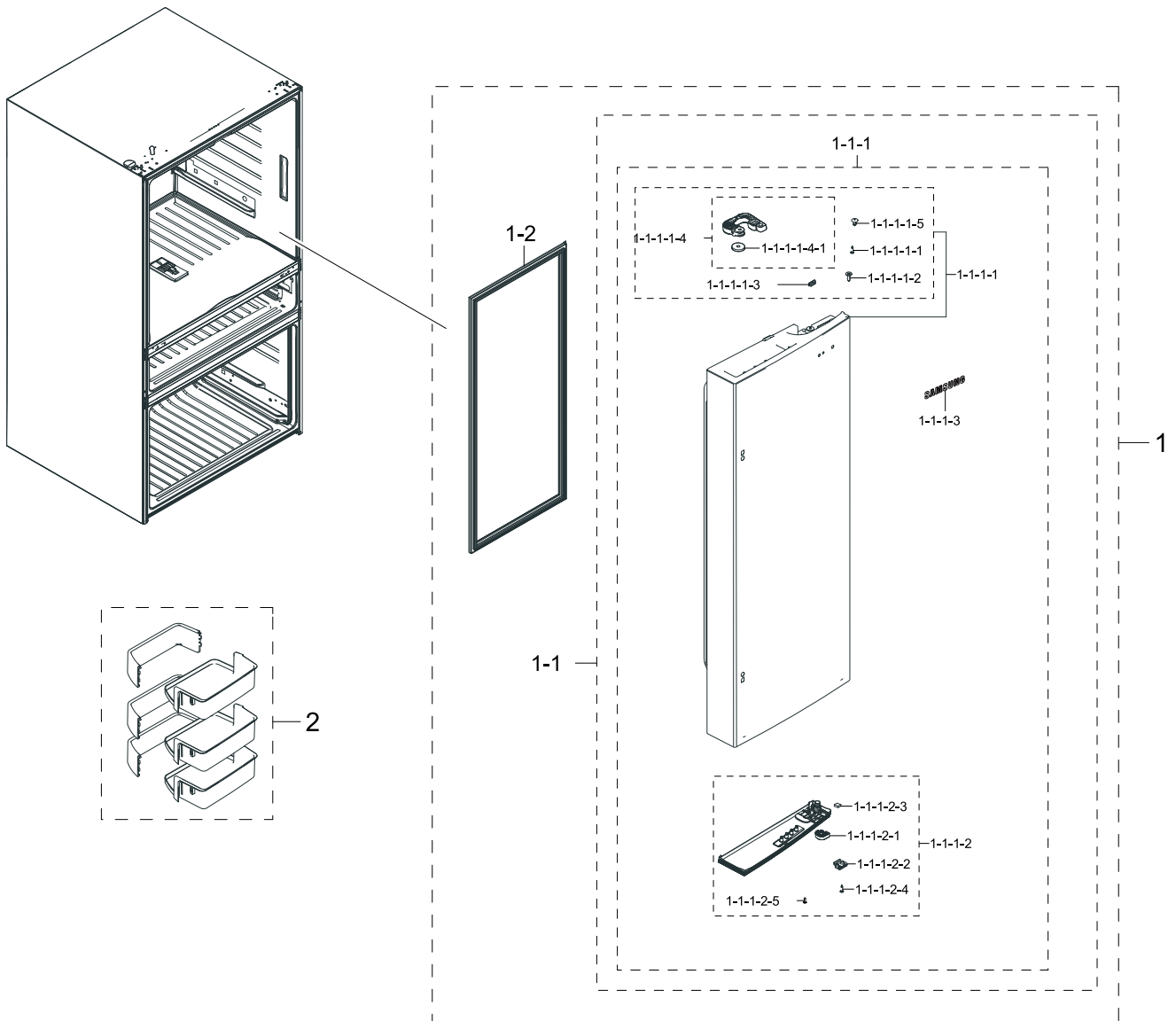
6. Refrigerator-Door-L

Exploded View



7. Refrigerator-Door-R

Exploded View

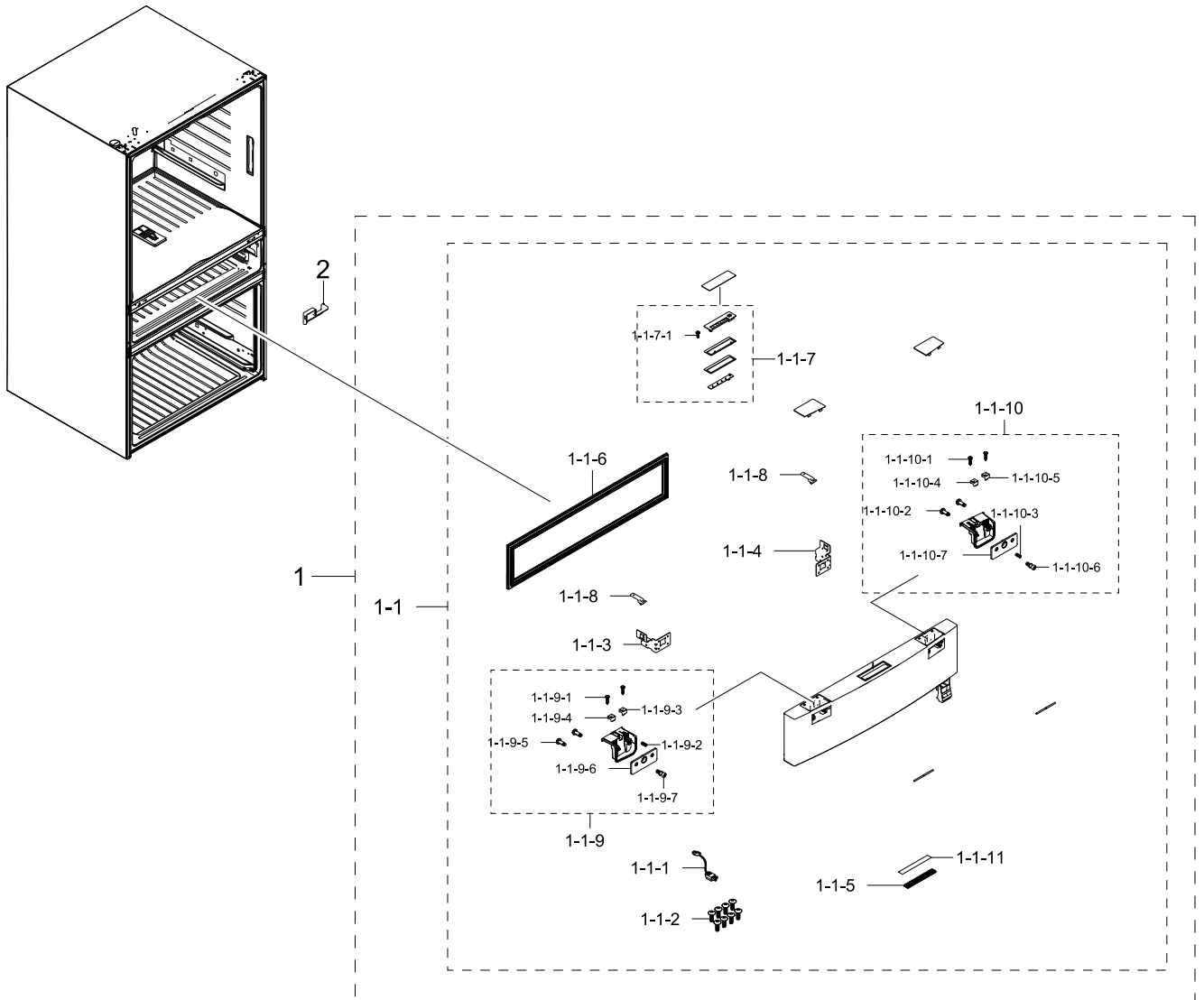


Parts List

No.	Lvl.	Loc.	Material Code	Description & Specification	SNA	Qty.
1	2		DA93-00230J	ASSY DOOR SUB-REF RIGHT; AW4-4D,SR(Coatig)	SNA	1
1-1	3		DA91-04146W	ASSY DOOR FOAM-REF RIGHT; AW4-4D,SR,Coati	SA	1
1-1-1	4		DA97-14206V	ASSY PLATE DOOR-REF RIGHT; RF31FM*/RF24FS	SNA	1
1-1-1-1	5		DA97-13867H	ASSY CAP DOOR-REF UP RIGHT; AW3-14 LCD	SNA	1
1-1-1-1-16		RR013	6002-000613	SCREW-TAPPING; TH,+,-,2,M5,L16,ZPC(WHT),S	SA	2

8. Flexzone-Door

Exploded View

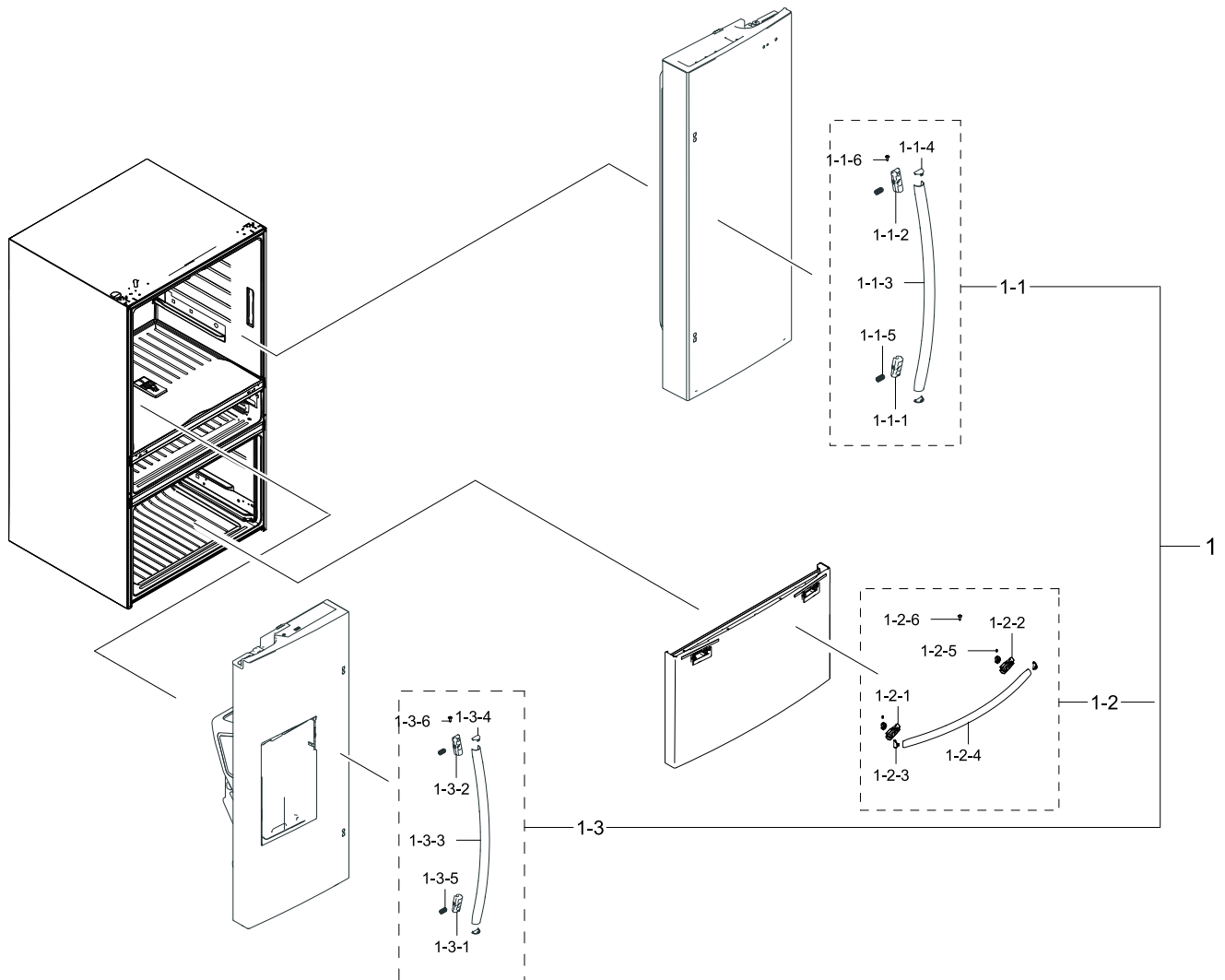


Parts List

No.	Lvl.	Loc.	Material Code	Description & Specification	SNA	Qty.
1	2		DA93-00220E	ASSY DOOR SUB-MIDDLE; AW4-4D,RS,PLATE,110	SNA	1
1-1	3		DA97-13797J	ASSY DOOR-MIDDLE; AW4-4D,RS,PLATE,110V	SA	1
1-1-1	4		DA96-00641B	ASSY WIRE HARNESS-DISPLAY; OPUS1-PJT,MID-	SA	1
1-1-2	4	RR013	6002-000613	SCREW-TAPPING; TH,+,-,2,M5,L16,ZPC(WHT),S	SA	8
1-1-3	4		DA61-09248A	HANGER-FRONT MIDDLE LEFT; AW4-4D,EGI-SECC	SA	1

9. Assy Handle-Kit

Exploded View



Parts List

No.	Lvl.	Loc.	Material Code	Description & Specification	SNA	Qty.
1	2	RO317	DA99-04011D	ASSY HANDLE-KIT; AW3,-,-,-,-,-,VERSAILL	SNA	1
1-1	3		DA97-12714C	ASSY HANDLE BAR-REF R; AW4,AL(A6063),Vers	SC	1
1-1-1	4		DA61-08228A	SUPPORT-HANDLE REF; AW1-12,AW4,POM,GF-702	SA	1
1-1-2	4	RE305	DA61-08246A	SUPPORT-HANDLE REF UPP; AW1-12,AW4,POM,GF	SA	1
1-1-3	4		DA64-03756G	HANDLE BAR-REF R; AW1-12 & AW4,Al,T1.3,Ve	SA	1
1-1-4	4		DA67-02788A	CAP-SUPT HANDLE REF; AW3,ABS,NTR,CR Plati	SA	2
1-1-5	4	RS030	6009-001526	SCREW-SET; -,HEX,-,#10-24 UNC 2B,L9,PASS,	SA	1