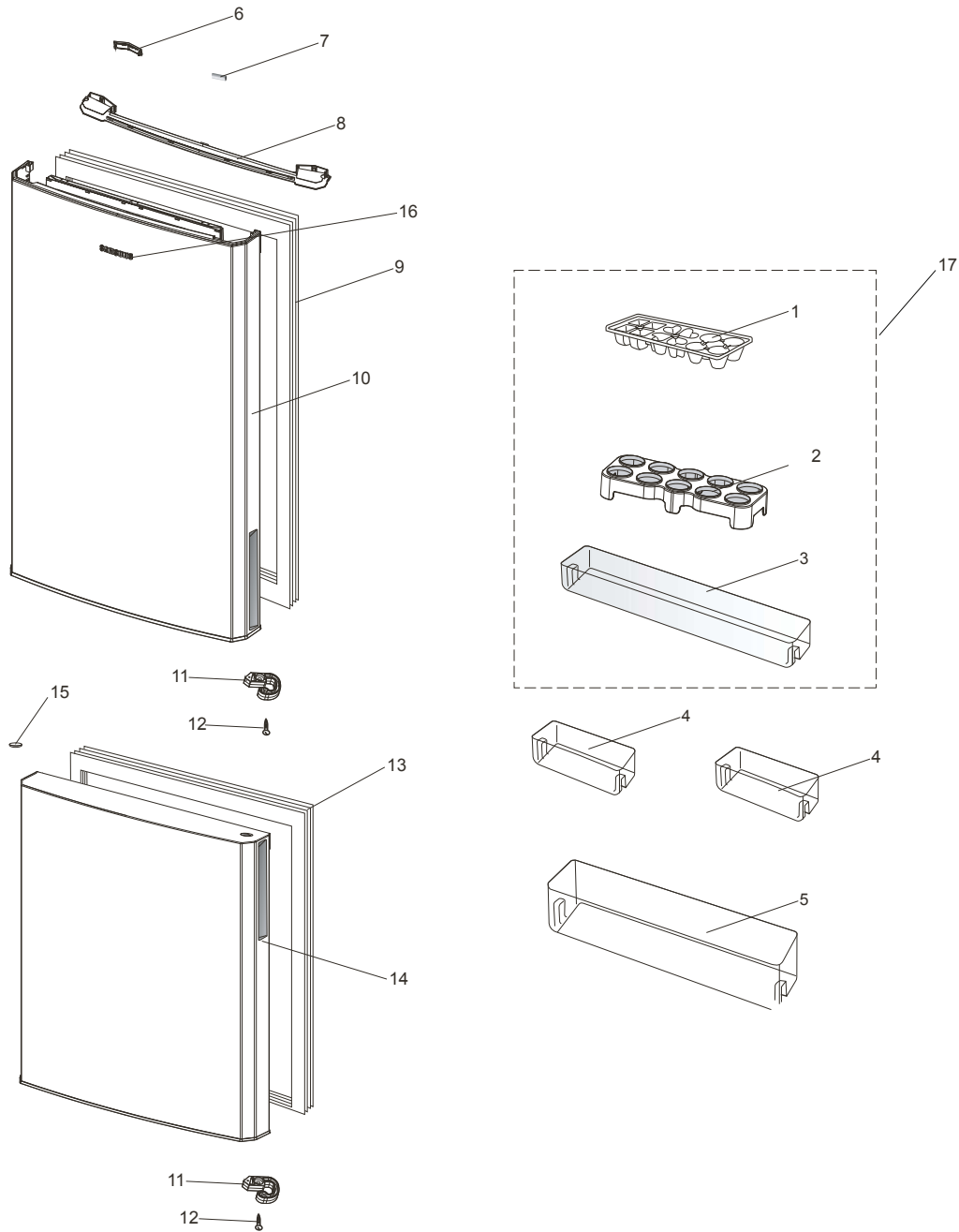


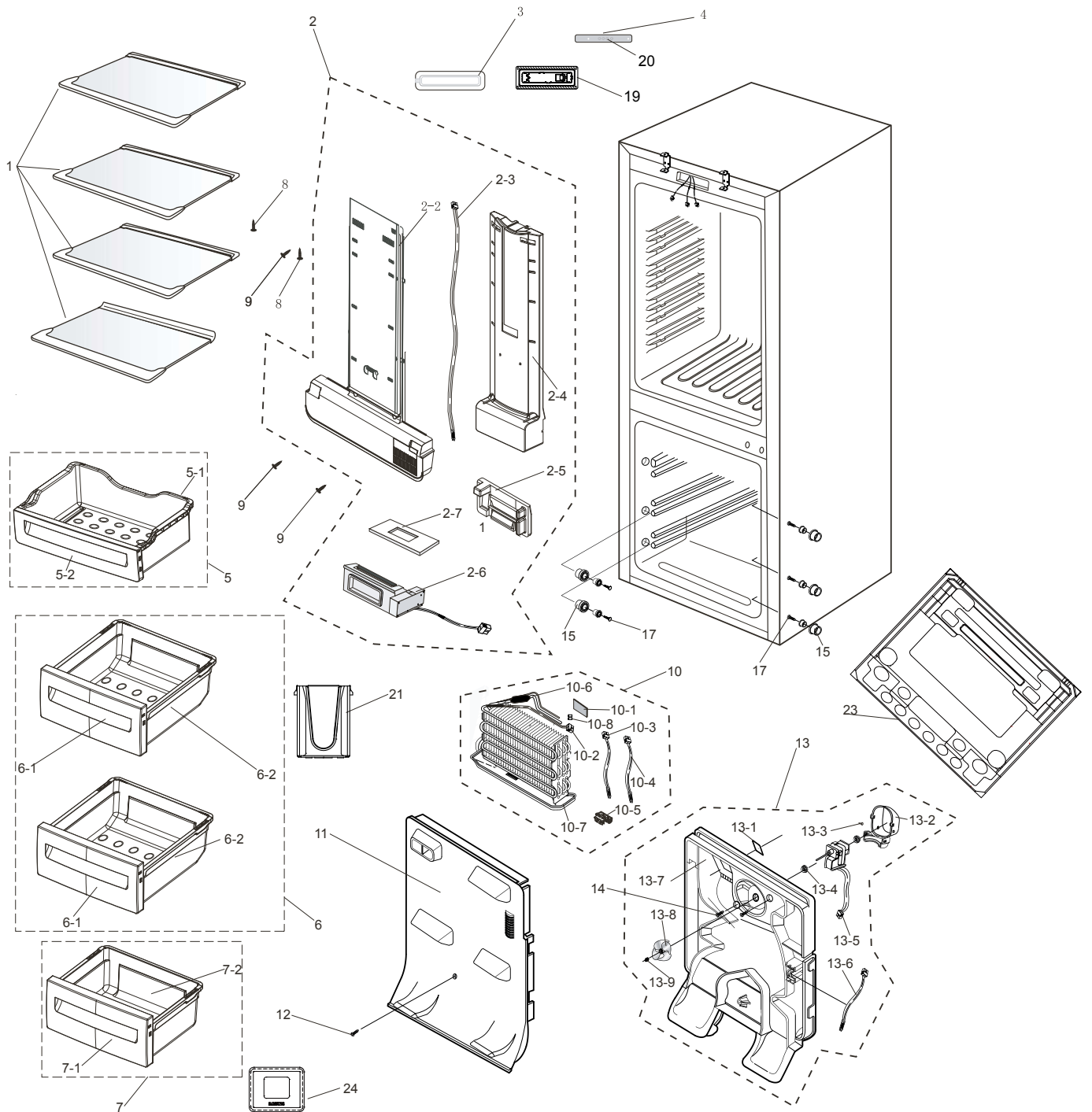
EXPLODED VIEW PART LIST

Door



EXPLODED VIEW PART LIST

Fridge & Freeze



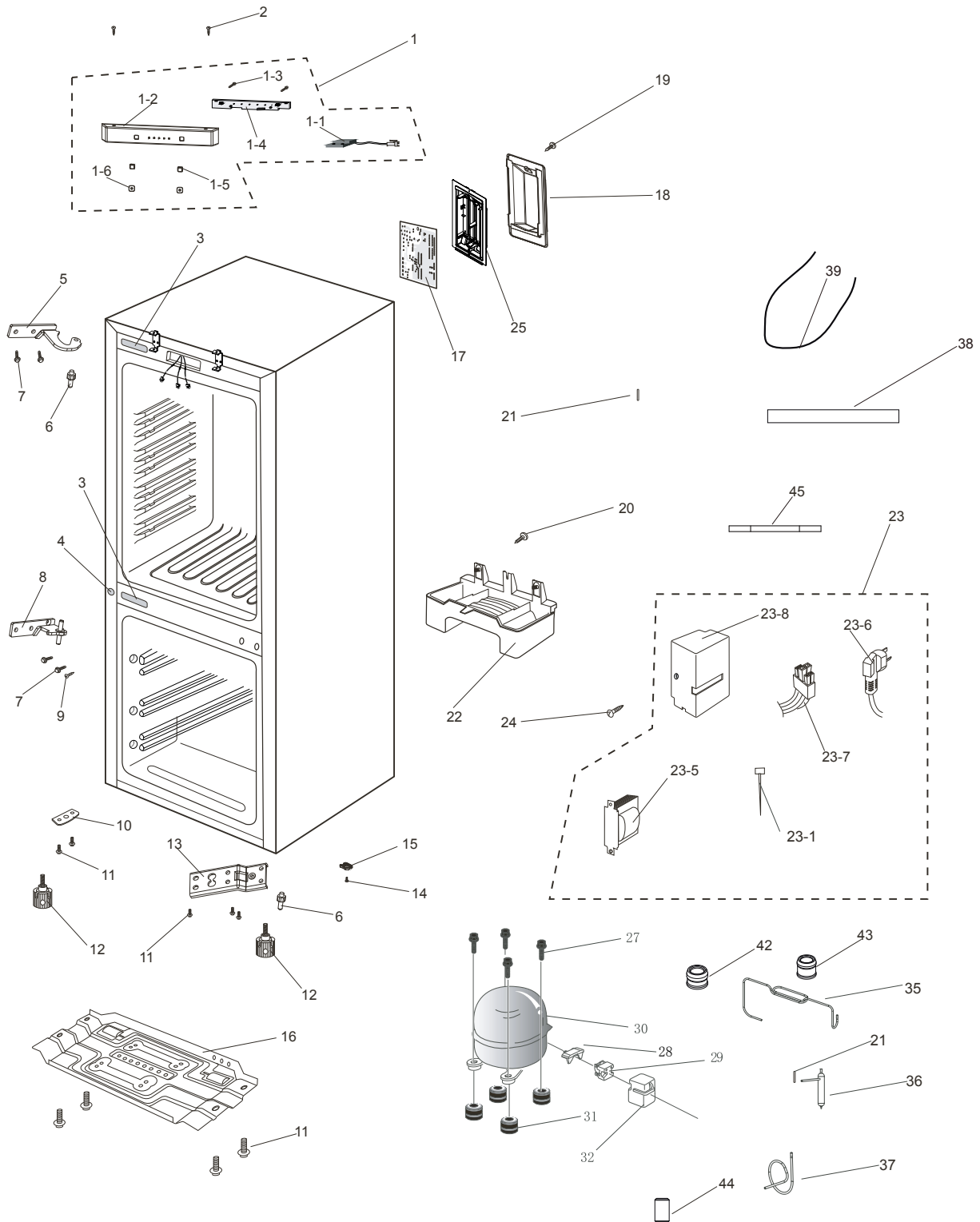
EXPLODED VIEW PART LIST

• Parts List of Fridge & Freeze

| NO | CODE NO | PART NAME | Specification | Quantity | SA/SNA | SVC NO |
|------|-------------|------------------------|------------------------------------|----------|--------|--------|
| 1 | DA97-05405B | ASSY SHELF REF | W07, GLASS+PP | 4 | SA | A0185 |
| 2 | DA97-10600A | ASSY COVER MULTI | W07, RL34 | 1 | SA | 0 |
| 2-2 | DA63-05681A | COVER-MULTI REF | W07, RL34, PP, SC-03084R, M1 | 1 | SA | A0689 |
| 2-3 | DA32-00012J | SENSOR TEMP | DKST1329, W07, -, -, -, REF, -, - | 1 | SA | A1018 |
| 2-4 | DA62-01571A | INSULATION-MULTI REF A | W07, FOAM-PS | 1 | SNA | 0 |
| 2-5 | DA62-01570A | INSULATION-MULTI REF B | W07, FOAM-PS | 1 | SNA | 0 |
| 2-6 | DA31-00218B | MOTOR DC-DAMPER | -, -, -, DC12V, Max60mA, -, -, - | 1 | SA | G0242 |
| 2-7 | DA62-01637C | SEAL-COVER MULTI LOW | W07, AOPUSAILUO, OJC- | 1 | SNA | 0 |
| 3 | DA63-05460B | COVER LAMP | SUPER STAR, GPPS, W35, L145, tran | 1 | SA | A0280 |
| 4 | DA41-00675J | ASSY PCB KIT | 110*20mm, CEM-1 | 1 | SA | Z1144 |
| 5 | DA97-05406A | ASSY TRAY-VEG | W07, GPPS+PP, film | 1 | SA | A0018 |
| 5-1 | DA63-03800A | TRAY-VEG | W07, PP, M1600, -, -, -, W91527, - | 1 | SNA | A0201 |
| 5-2 | DA63-03802A | COVER-TRAY VEG | W07, GPPS, PH88, -, -, -, - | 1 | SNA | A0197 |
| 6 | DA97-05407B | ASSY TRAY-UP | W07, -, -, -, GPPS+PP, FILM | 2 | SA | A0015 |
| 6-1 | DA63-03801A | COVER-TRAY FRE | W07, GPPS | 1 | SNA | 0 |
| 6-2 | DA63-03797A | TRAY FRE-UPP | W07, PP, M1600, -, -, -, W91527 | 1 | SNA | Z1172 |
| 7 | DA97-05408B | ASSY TRAY-LOW | W07, -, -, -, GPPS+PP, FILM | 1 | SA | A0013 |
| 7-1 | DA63-03801A | COVER-TRAY FRE | W07, GPPS | 1 | SNA | 0 |
| 7-2 | DA63-03796A | TRAY FRE-LOW | W07, PP, M1600, -, -, -, W91527 | 1 | SNA | A0216 |
| 8 | 6002-001341 | SCREW-TAPPING | BH, +, -, 1, M4, L16, DACRO, SWRC | 1 | SNA | G0412 |
| 9 | 6002-001341 | SCREW-TAPPING | BH, +, -, 1, M4, L16, DACRO, SWRC | 1 | SNA | G0412 |
| 10 | DA96-00401P | ASSY EVAP-FRE | W07, 240V, 50Hz, PL | 1 | SA | A0163 |
| 10-1 | DA72-00088A | SEAL-BUTYL RUBBER | C-P, BUTYL-RUBBER, -, T3, | 1 | SNA | 0 |
| 10-2 | DA47-00263F | HEATER DEFROST | W07, 250W, 240V | 1 | SA | A0753 |
| 10-3 | DA47-00138F | THERMO FUSE-ASSY | W07-PJT, G4A01, 77C, 250V, | 1 | SC | A1008 |
| 10-4 | DA32-00012K | SENSOR TEMP | DKST1329, W07, -, -, -, REF, -, - | 1 | SA | A1018 |
| 10-5 | DA61-03716A | FIXER-SENSOR EVAP | W07, PP, -, -, - | 1 | SNA | M9009 |
| 10-6 | DA59-00364A | EVAP FRE | W07-PJT, -, AL, -, -, -, -, - | 1 | SNA | A0742 |
| 10-7 | DA67-00979B | DRAIN EVAP-FRE | W07-PJT, GALVA, T0.35 | 1 | SNA | 0 |
| 10-8 | DA63-40237H | GROMMET-DISCHARGE | ID7.0 OD20 H20, NBR, BLK | 1 | SNA | Z1132 |
| 11 | DA97-05485D | ASSY COVER EVAP-FRONT | W07, IMPROVE ENERGY | 1 | SA | A0661 |
| 12 | 6002-001341 | SCREW-TAPPING | BH, +, -, 1, M4, L16, DACRO, SWRC | 1 | SNA | G0412 |
| 13 | DA97-05993Q | ASSY COVER EVAP-REAR | W07, 240V | 1 | SA | A0667 |
| 13-1 | DA62-01090B | SEAL DUCT | RL33, EPDM, BLACK, T8, W93, L95, - | 1 | SNA | 0 |
| 13-2 | DA61-01441A | CASE-MOTOR | BCD-290, PP, -, -, -, NTR, - | 1 | SNA | 0 |
| 13-3 | DA63-40167A | GROMMET-COVER CHIL | SILICON, L16, WHITE | 1 | SNA | M2002 |
| 13-4 | DA63-40115A | GROMMET-MOTOR | L20, SILICON-RUBBER, -, -, -, - | 2 | SNA | A0218 |
| 13-5 | DA31-00197F | FAN-MOTOR AC | RL34E, PBT+GF, 5.7W, LIUSHENG, | 1 | SNA | Z1139 |
| 13-6 | DA32-00012L | SENSOR TEMP | DKST1329, W07, -, -, -, REF, -, - | 1 | SA | A1018 |
| 13-7 | DA63-03787B | COVER EVAP-REAR | W07, PP, NTR, IMPROVE ENER | 1 | SNA | G0236 |
| 13-8 | DA31-00019A | FAN-PROPELLER | -, SR-32, 35, NTR, -, -, -, - | 1 | SA | Z1138 |
| 13-9 | DA61-20128A | SPRING ETC-FAN | STS304, PI8.8, ID7.8, OD9.8, | 1 | SNA | A0768 |
| 14 | 6002-001341 | SCREW-TAPPING | BH, +, -, 1, M4, L16, DACRO, SWRC | 1 | SNA | G0412 |
| 15 | DA66-00825A | ROLLER-TRAY | W07, POM | 6 | SA | Z1140 |
| 17 | DA60-10130B | SCREW-TAPPING | BH, +, -, 1, M4, L16, DACRO, SWRC | 6 | SNA | G0412 |
| 19 | DA97-08671B | ASSY CASE LAMP | CC-PJT, ASSY NTR | 1 | SA | A0189 |

EXPLODED VIEW PART LIST

CABI



EXPLODED VIEW PART LIST

• Parts List of CABI

| NO | CODE NO | PART NAME | Specification | Quantity | SA/SNA | SVC NO |
|------|--------------------|--------------------------|------------------------------------|----------|--------|--------|
| 1 | DA90-04803A | ASSY COVER TOP-FRONT | W07,SEMI,2008,,,SW, | 1 | SA | Z1141 |
| 1-1 | DA34-00046B | SWITCH-REED | KYESH,JST,200V,0.5A,DC,L90 | 1 | SA | Z1142 |
| 1-2 | DA63-03792A | COVER TOP-FRONT | W07,ABS,LG-121h,SEMI | 1 | SNA | A0820 |
| 1-3 | 6002-001341 | SCREW-TAPPING | BH,+,-,1,M4,L16,DACRO,SWRC | 1 | SNA | G0412 |
| 1-4 | DA41-00483A | ASSY PCB KIT LED | W07,LED | 1 | SA | G0069 |
| 1-5 | DA63-03804A | GROMMET-BUTTON SELECT | W07,RUBBER,-,-,-,- | 2 | SNA | 0 |
| 1-6 | DA64-02262A | BUTTON-SELECT | W07,ABS,LG-121h | 2 | SNA | 0 |
| 2 | 6002-001341 | SCREW-TAPPING | BH,+,-,1,M4,L16,DACRO,SWRC | 1 | SNA | G0412 |
| 3 | DA67-01798A | CAP-HINGE HOLE | W07,ABS,T2,-,-,-,- | 2 | SNA | A0549 |
| 4 | DA67-00429A | CAP-SCREW | BCD-133WB,ABS,A2000901B5 | 1 | SNA | A0270 |
| 5 | DA97-05488D | ASSY HINGE UPP | RL34,T4,PAINT ZN | 1 | SA | A0705 |
| 6 | DA66-00500A | SHAFT HINGE | W07,SM45C,-,-,-,-,M6 | 1 | SNA | 0 |
| 7 | DA60-10124A | SCREW-HEX | HWH,-,- ,M6,L16,ZPC(WHT,YEL),SW | 2 | SNA | T0072 |
| 8 | DA61-03688A | HINGE-MID | W07,SCP1,T4,-,-,-,-,PAINT Cr | 1 | SA | A0831 |
| 9 | 6002-001184 | SCREW-TAPPING | FH,+,-,1,M4,L12,ZPC(WHT),S | 2 | SNA | G0412 |
| 10 | DA61-04391A | REINF CABI LEG | SBS,2007GVE,SCP1,T1.5 | 1 | SA | 0 |
| 11 | DA60-10124A | SCREW-HEX | HWH,-,- ,M6,L16,ZPC(WHT,YEL),SW | 9 | SNA | T0072 |
| 12 | DA61-00851A | LEG-FRONT | BCD-230FBN,PP+MSWR10 | 2 | SA | Z1128 |
| 13 | DA97-05489A | ASSY HINGE LOW | RL34,T3,-,-,-,-,PAINT ZN | 1 | SA | A0515 |
| 14 | DA61-02972A | FIXER HINGE-LOW | CTA,FE1018,M5,L10,-,- | 1 | SNA | 0 |
| 15 | DA61-03673A | STOPPER HINGE-LOW | W07,POM,-,-,-,-,- | 1 | SNA | 0 |
| 16 | DA90-04051A | ASSY BASE COMP | RL34,SGCC,T1 | 1 | SA | Z1148 |
| 17 | DA92-00280A | ASSY PCB MAIN | SEMI,W07,127*100mm | 1 | SA | A0952 |
| 18 | DA63-03794D | COVER PCB-MAIN | W07,ABS,T2,5VA,ANTI-BURNI | 1 | SA | Z1143 |
| 19 | 6002-001341 | SCREW-TAPPING | BH,+,-,1,M4,L16,DACRO,SWRC | 1 | SNA | G0412 |
| 20 | 6002-001341 | SCREW-TAPPING | BH,+,-,1,M4,L16,DACRO,SWRC | 1 | SNA | G0412 |
| 21 | DA63-40115A | GROMMET-MOTOR | L20,SILICON-RUBBER,-,-,-,- | 2 | SNA | A0218 |
| 22 | DA63-01834E | TRAY WATER-DRAIN | W07,2010GVE,PP,BLACK,RE | 1 | SA | Z1150 |
| 23 | DA97-11908H | ASSY CASE JUNCTION | W07,electric,WITHOUT | 1 | SNA | A0249 |
| 23-1 | 6501-000124 | CABLE TIE | DA-200,T1.2,W4.5,L213.2,NTR,NY | 2 | SNA | 0 |
| 23-5 | DA26-00036A | TRANS POWER | -,W07,-,-,240V,16V,0.35A,-,5 | 1 | SA | Z1149 |
| 23-6 | DA96-00795A | ASSY POWER CORD | UCP-2,EUROPE,16A,H05VV-F | 1 | SNA | Z1187 |
| 23-7 | DA39-00497B | WIRE HARNESS-RELAY | W07,machine,without c | 1 | SNA | A0574 |
| 23-8 | DA61-07593A | CASE JUNCTION | W07 NEW,ABS,NTR,5VA,big ca | 1 | SNA | A0250 |
| 24 | 6002-001341 | SCREW-TAPPING | BH,+,-,1,M4,L16,DACRO,SWRC | 1 | SNA | G0412 |
| 25 | DA61-03679A | CASE PCB-MAIN | W07,HIPS,ANTI-BURNING,-,-, | 1 | SA | A1122 |
| 27 | DA60-20008A | BOLT-HEX | SWCH45K,WHITE,ZPC | 4 | SA | A0564 |
| 28 | DA34-10004A | RELAY PROTECTOR O/L | 4TM189PHBY-53,ST 5. | 1 | SA | A0575 |
| 29 | DA35-00103D | RELAY-PTC THERMISOR | PTHTM330MD3,33ohm 38 | 1 | SA | M0206 |
| 30 | MSA4A1QL1B/ CF1 | COMPRESSOR | RSCR,11.1CC,200-220V,STATIC | 1 | SA | 0 |
| 31 | DA63-02617A | GROMMET COMP | USP05,EPDM,OD27.0,BLACK | 4 | SA | Z1112 |
| 32 | DA63-04553A | COVER RELAY | N300X,T2.1,V-0,5VA,SSEC,BLAC | 1 | SNA | Z1032 |

