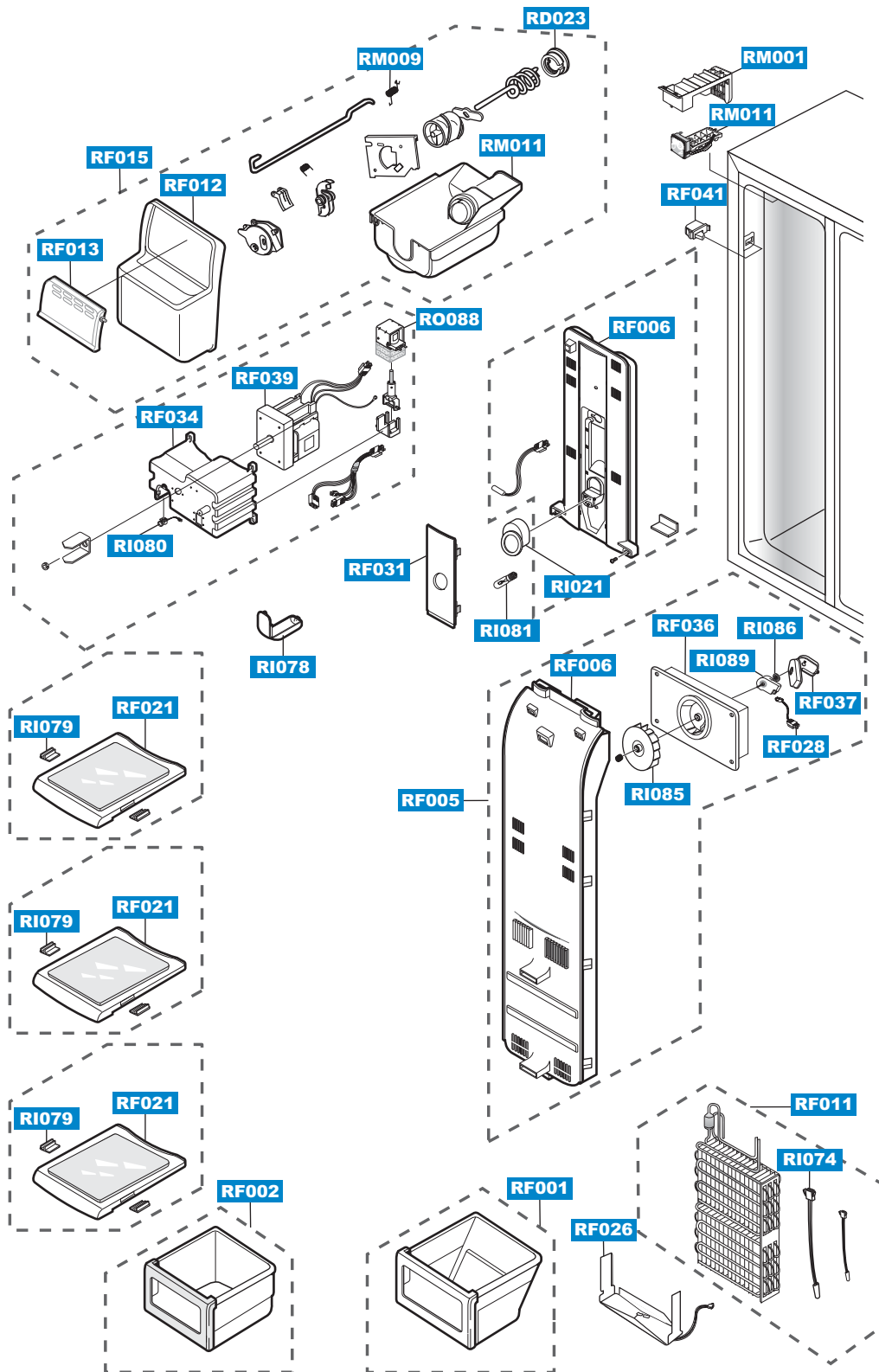
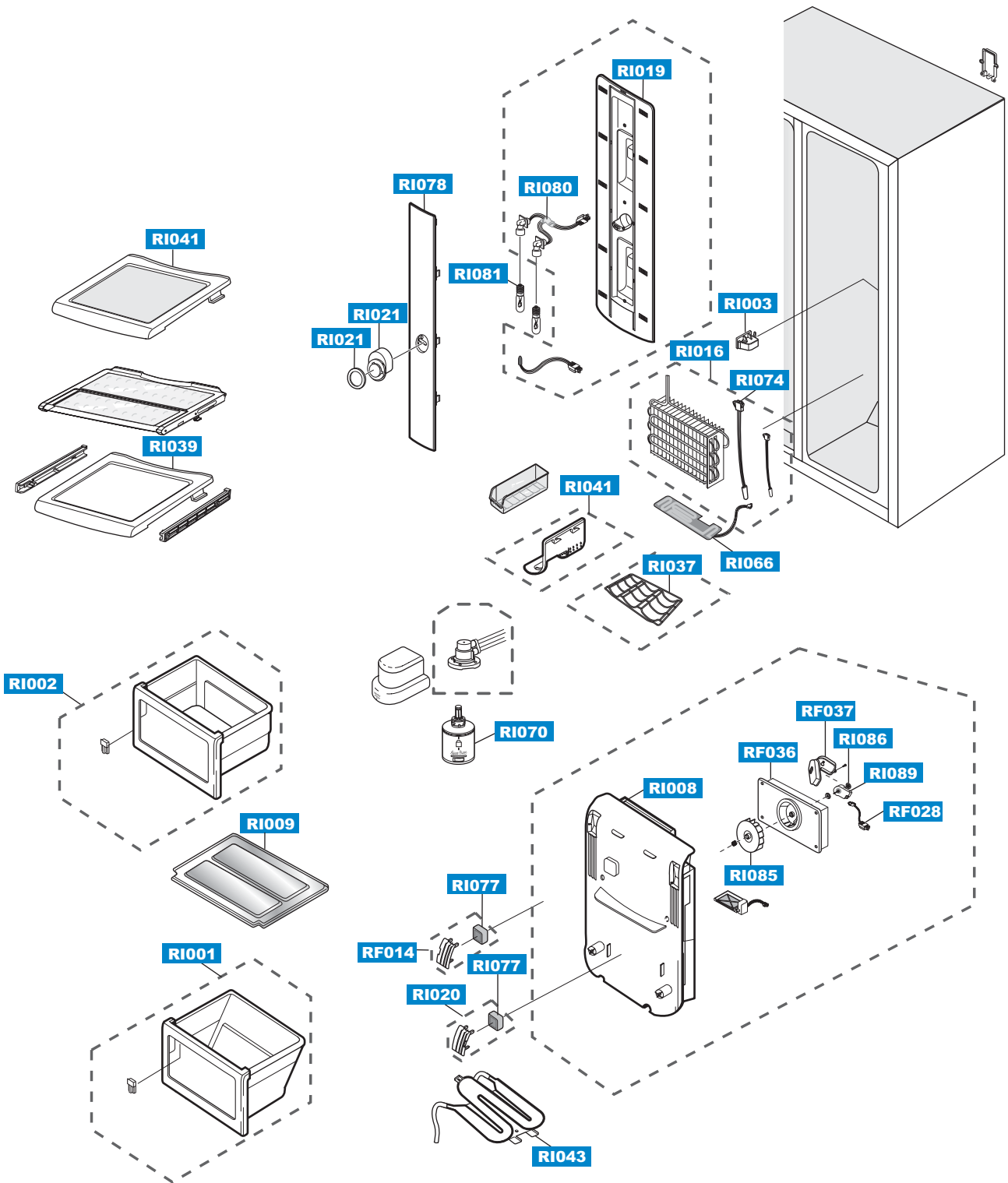


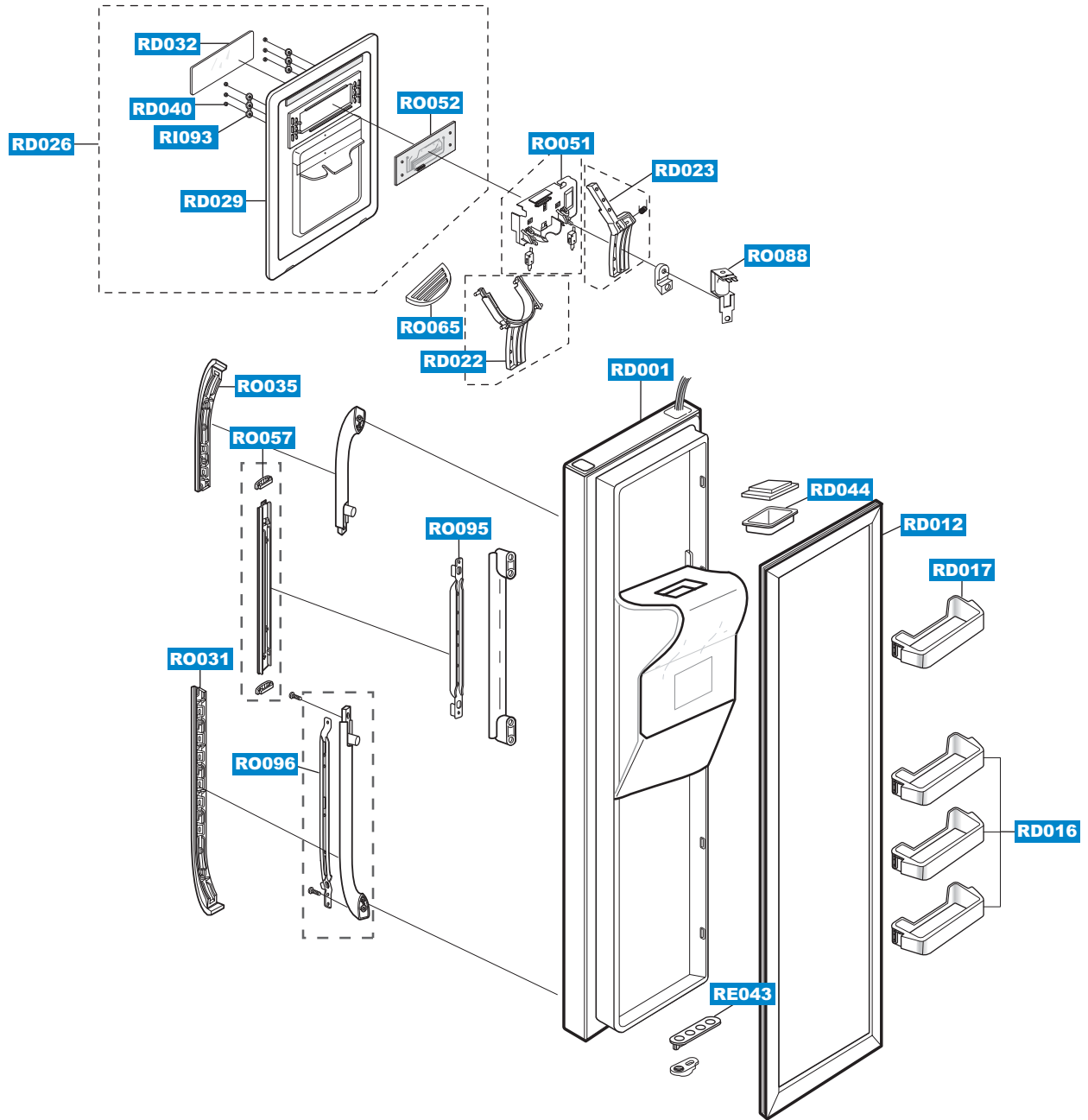
# New ET-PJT F Freezer Room (RS21F\*\*\*, RS23F\*\*\*)



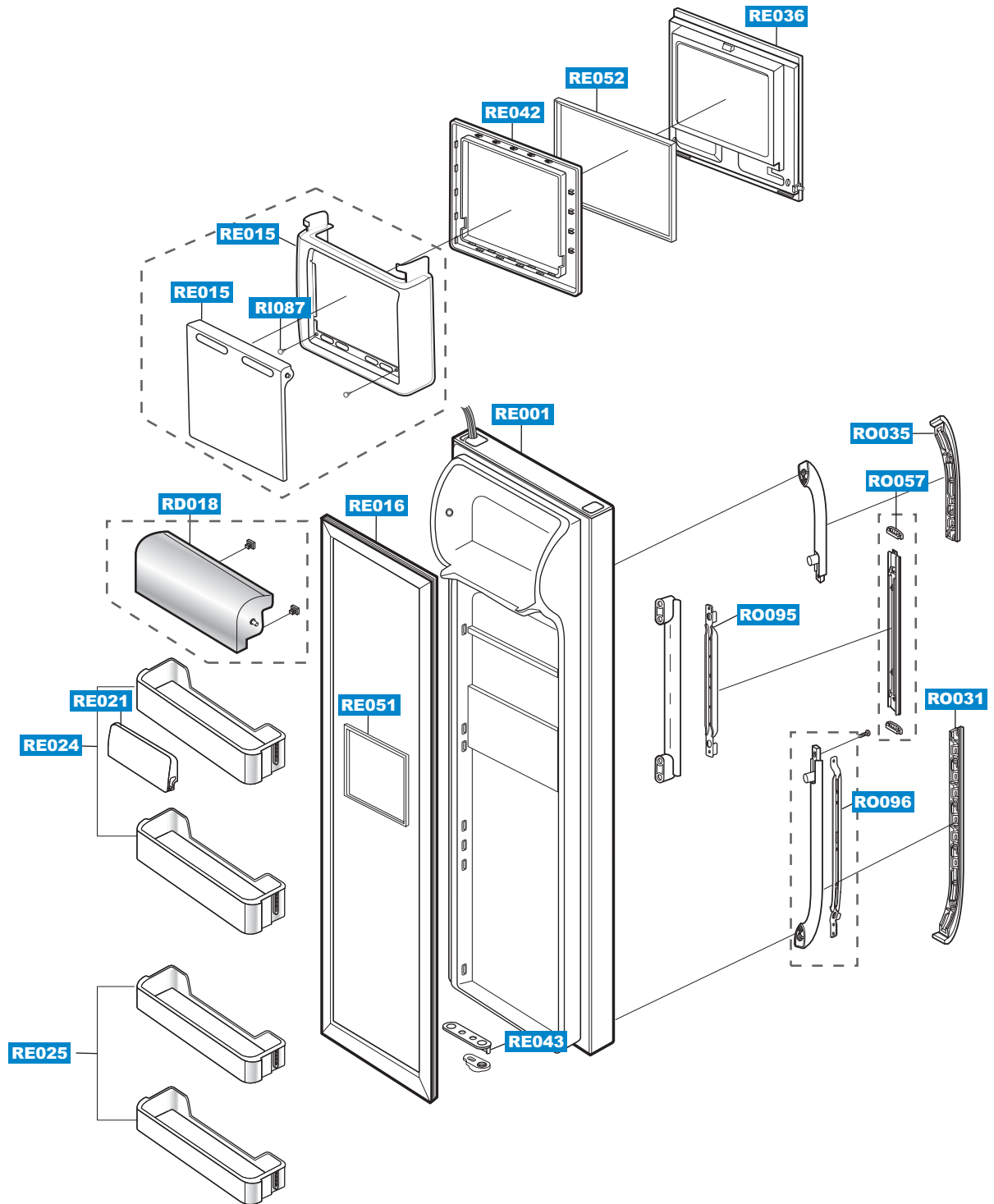
# New ET-PJT F Refrigerator Room (RS21F\*\*\*, RS23F\*\*\*)



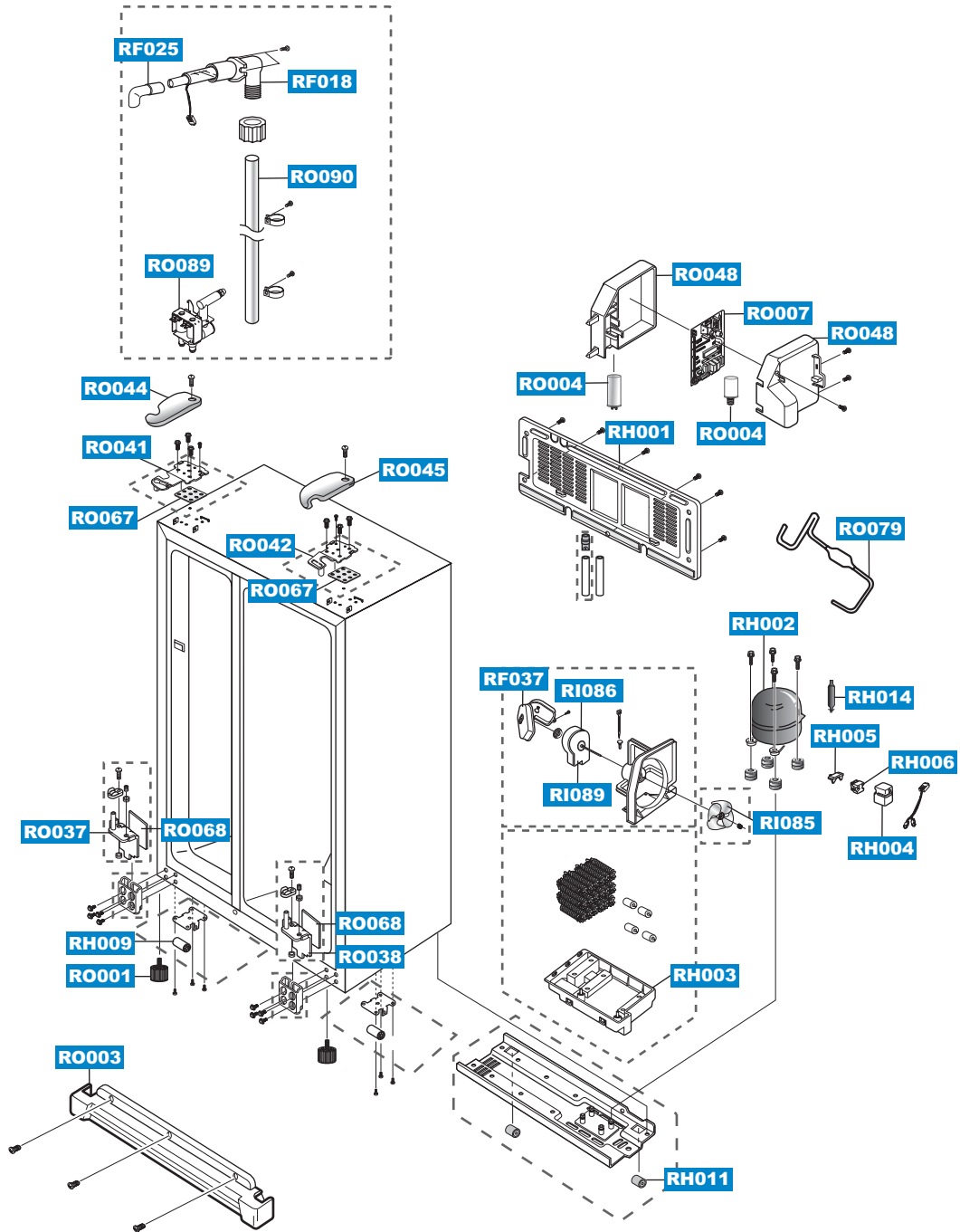
# New ET-PJT F Freezer Room Door (RS21F\*\*\*, RS23F\*\*\*)



# New ET-PJT F Refrigerator Room Door (RS21F\*\*\*, RS23F\*\*\*)



# New ET-PJT F Unit (RS21F\*\*\*, RS23F\*\*\*)



## Parts List

(Model Code : RS21FGRS1/XEN )

Location	Part Code	Part Name	Specification	SA/SNA
RD001	DA91-01741A	ASSY DOOR FOAM FRE	ET-PJT(RS21),STAINLES	SA
RD003	DA61-01236B	REINF-SHELF L	ET-PJT,SECC1,-,-,-,WHITE,F	SA
RD012	DA97-01800A	ASSY-GASKET DOOR FRE	ET-PJT,W332,H1573,-	SA
RD016	DA63-01864A	GUARD FRE-LOW	ET-PJT,HIPS,-,-,-,-,50MM,N	SA
RD017	DA63-01863F	GUARD FRE-UP(50)	ET 04,2-STAR,HIPP,-,-,-,-	SA
RD018	DA63-00199B	COVER-GUARD	ET-PJT,GPPS,-,-,-,-,NTR,50MM	SA
RD019	DA63-00194A	COVER-ICE ROUTE-B	ET-PJT,ABS,T2.5,-,-,-,-	SA
RD022	DA66-00236C	LEVER DISPENSER-ICE	ET-PJT(RS21/23),ABS,	SA
RD022	DA97-01350C	ASSY LEVER DISP-ICE	ET-PJT(RS21/23),ABS,	SA
RD023	DA66-30138A	LEVER-DISPENSER	POM,W9236E,-,-,-,-,DELIN5	SA
RD023	DA97-01352C	ASSY LEVER DISP-WATER	ET-PJT(RS21/23),AB	SA
RD026	DA97-01345F	ASSY COVER-DISPENSER	ET-PJT(RS21/23),ABS	SA
RD029	DA63-01169N	COVER-CONTROL DISP	ET-PJT 03,ABS,-,-,-,-	SA
RD040	DA64-00740B	KNOB-TOUCH	A-TOP,ABS,-,-,-,-,SILVER COAT	SA
RD040	DA64-40144A	KNOB-TOUCH	ICE-MAKER,NBR,-,-,-,-,-,NTR	SA
RD044	DA67-00940B	CAP-CHUTE ICE	ET-PJT(RS21),ABS,-,-,-,-,SC-	SA
RD067	DA97-01346C	ASSY COVER-PCB,PANEL REAR	ET-PJT(RS21/23	SA
RD068	DA97-00283C	ASSY COVER-ICE ROUTE	ET-PJT,New-gasket,-	SA
RE001	DA91-01745A	ASSY DOOR FOAM REF	ET-PJT(RS21),STAINLES	SA
RE015	DA63-00222A	COVER-DOOR RECESS-OUT	ET-PJT,GPPS,-,-,-,-	SA
RE015	DA63-00223A	COVER-DOOR RECESS-IN	ET-PJT,GPPS,-,-,-,-	SA
RE016	DA97-01800B	ASSY-GASKET DOOR REF	ET-PJT,W478,H1573,-	SA
RE021	DA71-00090A	GUIDE-BOTTLE REF	ET-PJT,PP,T2.5,-,-,-,-	SA
RE024	DA63-00635D	GUARD REF-UP(50)	ET-PJT,HIPP,-,-,SC-02740R	SA
RE025	DA63-00590D	GUARD REF-LOW(50)	ET-PJT,PP,-,-,SC-02740R,	SA
RE036	DA97-01347C	ASSY HOME BAR	ET-PJT(RS21/23),ABS,-,-,NOBL	SA
RE037	DA64-00990A	MASCOT	-,-,AL,-,-,80MM,-,-,-,-	SA
RE042	DA63-01607C	COVER-BRACKET FRAME	ET-PJT(RS21/23),ABS,	SA
RE043	DA61-00776A	STOPPER DOOR	N-PJT,SH1,T3.0,-,-,-,-,-	SA
RE043	DA61-01232B	STOPPER DOOR-H/B	A-TOP LOOK,NY-66,-,-,NTR,	SA
RE048	DA67-00881C	HOME BAR DOOR-OUT	ET-PJT(RS21/23),ABS,-,-	SA
RE051	DA63-00224C	GASKET HOME BAR-IN	ET-PJT 03,SF-PVC,L224	SA
RE052	DA63-00850G	GASKET HOME BAR-OUT	ET-PJT 03,SF-PVC,L32	SA
RE055	DA61-01235B	REINF-SHELF R	ET-PJT,SECC1,-,-,-,-,COOL WH	SA
RE056	DA34-10121A	SWITCH DOOR-HOME BAR	-,-,PA6,-,-,250V/125V	SA
RE060	DA63-01100F	GASKET HOME BAR-S/W	ET-PJT,SILICON,-,-,-,-	SA
RF001	DA97-00424C	ASSY CASE-BASKET LOW(ET)	ET-PJT,EXP,Cool	SA
RF002	DA97-00425C	ASSY CASE-BASKET UP	ET-PJT,Cool-white,EX	SA
RF006	DA63-00153E	COVER-EVAP FRE(FRONT LOW)	ET-PJT,PP,-,-,-,-	SA
RF006	DA63-00363B	COVER EVAP-FRE FRONT	ET-PJT,PP,-,-,-,-,-	SA
RF011	DA96-00090B	ASSY EVAP-FRE	ET-PJT 03,230V,-,-,-,-,-,-	SA
RF012	DA63-00180E	COVER-ICE BURKET,A	ET-PJT,PP,-,-,-,-,-,C	SA
RF013	DA63-00181C	COVER-ICE BURKET,B	ET-PJT,PP,-,-,-,-,-,C	SA
RF015	DA97-01957C	ASSY-CRUSHER ICE	ET-PJT,COOL-WHITE,EXP,-	SA
RF018	DA63-40262A	GROMMET-TUBE WATER	A,HDPE,-,-,-,-,-,WH	SA
RF018	DA73-00070H	PIPE-WATER	ZIPEL,LDPE,-,-,6.35,1700,-,-,-,CO	SA
RF018	DA73-00134A	PIPE-WATER FRE,ASSY(SUB)	ET-PJT,AL,-,-,1	SA
RF018	DA97-00209B	ASSY PIPE-WATER FRE	ET-PJT,240V,7W	SA
RF018	DA97-00753A	ASSY PIPE-WATER	A-TOP,INVERTER	SA
RF019	DA61-00044C	RAIL-BASKET L(ET)	ET-PJT,HIPS,-,-,-,-,COOL	SA
RF019	DA97-01291B	ASSY RAIL-BASKET L(ET)	ET-PJT,Cool-white	SA
RF020	DA61-00045C	RAIL-BASKET R(ET)	ET-PJT,HIPS,-,-,-,-,COOL	SA
RF020	DA97-01292B	ASSY RAIL-BASKET R(ET)	ET-PJT,Cool-white	SA
RF021	DA67-00175B	SHELF-FRE	ET-PJT,HIPS,Cool-white,SC-0027	SA
RF021	DA97-01962A	ASSY SHELF-FRE	ET-PJT,Cool-white	SA

# Parts List

(Model Code : RS21FGRS1/XEN )

Location	Part Code	Part Name	Specification	SA/SNA
RF022	DA97-01932B	ASSY SHELF-FRE LOW(ET)	ET-PJT,Cool-white	SA
RF025	DA47-00092B	HEATER DRAIN-FRE	-,ET-PJT,-,-,230V,41W	SA
RF025	DA63-01701A	GROMMET-TUBE WATER,FILL IN	ET-PJT,SILICO	SA
RF026	DA70-00231A	PLATE-DRAIN,REF	SBHG1,T0.6,-,ET-PJT,-,-,	SA
RF026	DA97-00339B	ASSY-PLATE DRAIN,FRE	ET-PJT,230V,41W,-	SA
RF028	DA39-00060B	WIRE HARNESS-MOTOR	-,,-,-,-,-,F-FAN,-,-	SA
RF031	DA63-00364A	COVER LAMP-FRE,A	ET-PJT,PP,-,-,-,-,FUL	SA
RF034	DA67-00144D	CASE-AUGER MOTOR	ET-PJT,ABS SCRAP,-,-,-,	SA
RF034	DA97-01958B	ASSY CASE-AUGER MOTOR	ET-PJT,-,-,SC-0274	SA
RF035	DA63-10016A	COVER-CRUSHER DISP	-,PC-ABS,-,-,-,-,-,	SA
RF036	DA61-00417A	CASE MOTOR	A-TOP,ABS SCRAP,-,-,-,WHT,SBS	SA
RF037	DA63-00713A	COVER-MOTOR	OMEGA,PP,-,-,-,-,BLDC	SA
RF039	DA31-10141D	MOTOR GEARD	ISG-3250SSD,SR-S6586,1.8A,50	SA
RF041	DA34-10120D	SWITCH DOOR-F	-,slide,-,-,250V,-,0.5A,-,	SA
RF042	DA60-30104A	NUT-WATER LINE A	-,,-,-,-,NY-6,SR-S7180,-	SA
RF043	DA60-30105A	NUT-WATER LINE B	-,,-,-,-,NY-6,SR-S7180,-	SA
RF044	DA60-90137A	PIN-SPRING A	STS304,-,L22,SR-S7180,-,-	SA
RF045	DA60-90137B	PIN-SPRING B	STS304,-,L16,SR-S7180,-,-	SA
RF054	DA97-00101L	ASSY COVER-MULTI FRE(ET)	ET-PJT,Dispense	SA
RF076	DA60-90125A	RING	SK-5H,-,-,-,SR-S7180,-	SA
RF083	DA63-01809A	COVER MOTOR-BLDC	BLDC-NEW,PP,NTR,-,-,-,-	SA
RH001	DA63-00278E	COVER COMP-ASSY	A-TOP,SBHG1,T0.35,-,-,-,	SA
RH002	MK4A5QR1U/E09	COMPRESSOR	15.31cc,220/240V~50Hz,RSCR	SA
RH003	DA66-00034A	TRAY-DRAIN WATER	-,,-,-,-,-,T2.0,-	SA
RH003	DA97-01285C	ASSY TRAY-DRAIN,WATER(SPIRAL)	A-TOP,SPIR	SA
RH004	DA63-01866A	COVER RELAY	SBS,NORYL,-,-,-,-,-,-	SA
RH005	DA34-10003V	RELAY PROTECTOR O/L	4TM265RHHBY-53,	SA
RH006	DA35-10013B	RELAY-PTC	J531Q35E330M385-2,385V.6A	SA
RH009	DA61-40115A	CASTER-FRONT	SR-62EA,NY-66,-,-,-,-,ID6 O	SA
RH011	DA61-40126B	CASTER-REAR	REF-ALL,PP,-,PI 44,NTR,W22,-	SA
RH012	DA60-90124A	RIVET	-,ZPC3,OD6.0,-,-,L56,-,-,-	SA
RH014	DA73-30102B	DRYER-ASSY	-,CU,OD18.85,ID2,L102,10.0G,-	SA
RH019	DA60-90146A	PIN-CASTER	MSWR10,OD6.0,L40,ZPC2,SR-289-	SA
RH020	DA61-01797A	FIXER GROMMET-DOOR	T3-PJT,ABS,-,SC-02740	SA
RH022	DA63-40128A	GROMMET-SUB COND	-,NBR,-,-,-,-,-,DARK-	SA
RH027	DA96-00042A	ASSY-HARNESS COMP	A-TOP UL(MOTOR),C-FAN,	SA
RI001	DA97-00422C	ASSY CASE-VEG LOW	ET-PJT,Cool-white,EXP,	SA
RI002	DA97-00423C	ASSY CASE-VEG UP	ET-PJT,Cool-white,EXP,-	SA
RI003	DA34-10110E	SWITCH DOOR-R	-,Sliding,-,-,250V,-,0.5A,	SA
RI006	DA97-01666C	ASSY CASE-FILTER	A-TOP,-,-,-,NTR,-	SA
RI008	DA63-00159E	COVER-EVAP REF(ET)	ET-PJT,PP,-,-,-,SC-02	SA
RI008	DA97-00092S	ASSY COVER EVAP-REF	ET-PJT,EXP,BLDC,-,-,	SA
RI009	DA63-10942C	COVER-VEG LOW(ET)	ET-PJT,HIPS,Cool-white	SA
RI018	DA66-00038D	TRAY-CHILLED ROOM	'05E/T-2nd,SAN,T2.5,-,	SA
RI019	DA97-00102K	ASSY COVER-MULTI REF(ET)	ET-PJT,EXP,Cool	SA
RI021	DA63-00162B	COVER SENSOR-B	ET-PJT,ABS,-,-,-,-,PNC2,-	SA
RI021	DA63-11065A	COVER-SENSOR	SR-S6586/7087,PP,-,-,-,-,-,	SA
RI033	DA97-01247B	ASSY RAIL-LOW L(ET)	ET-PJT,Cool-white,SC	SA
RI034	DA97-01248B	ASSY RAIL-LOW R(ET)	ET-PJT,Cool-white,SC	SA
RI038	DA67-00900B	SHELF REF-FOLD,B	ET-PJT,ABS+GLASS,-,-,-,	SA
RI038	DA97-00199R	ASSY SHELF-FOLD	ET-PJT,cool-white	SA
RI039	DA67-00148D	SHELF-REF LOW(ET)	ET-PJT,HIPP,Cool-white	SA
RI041	DA67-00149B	SHELF-REF UP(ET)	ET-PJT,HIPP,Cool-white,	SA
RI042	DA67-00901B	SHELF REF-FOLD,A	ET-PJT,ABS+GLASS,-,-,-,-,	SA
RI043	DA97-00670D	ASSY TANK WATER	A-TOP,HDPE,-,-,-,-,-,-	SA

## Parts List

(Model Code : RS21FGRS1/XEN )

Location	Part Code	Part Name	Specification	SA/SNA
RI066	DA47-00039B	HEATER-DRAIN ASSY,REF	-,ET-PJT EXP,-,-,-	SA
RI068	DA97-00724E	ASSY COVER-FILTER	A-TOP,Insert-filter,EX	SA
RI069	DA97-01469F	ASSY-INSTALL FILTER	EXP,FILTER IN	SA
RI070	DA29-00003B	FILTER WATER-ASSY	-,A-TOP,-,-,86*86*167,	SA
RI074	DA47-10148J	THERMO FUSE-ASSY A	V2,ATOP,W2,SW-102T,25	SA
RI077	DA02-90106K	CATALYST-LTC	EXPORT,LTC,4,T10,W40,L40,SS	SA
RI078	DA63-00157A	COVER-LAMP	-,PP,-,-,-,-,-,MOTOR	SA
RI078	DA63-00160A	COVER-LAMP REF	-,PP,-,-,-,-,-,A	SA
RI079	DA64-00090A	TRIM-SHELF	-,PVC,-,-,T1.0,-,-,-	SA
RI080	DA47-00025H	LAMP HOLDER	E14,250V,1A,370,NTR,PBT 5VA,	SA
RI080	DA47-40112V	LAMP HOLDER	E14,250V,1A,-,-,-,PBT 5VA,UL-S	SA
RI081	4713-001132	LAMP-INCANDESCENT	240V,-,-,30W,BLU,-,-,-,T35	SA
RI081	DA97-01486E	ASSY-PURIFIER,R	ET-PJT,COOL WHT	SA
RI081	DA97-01487E	ASSY-PURIFIER,L	ET-PJT,COOL WHT	SA
RI085	DA31-00010D	FAN-ASS'Y	-,ET,ZIPEL,ASSY,-,-,UNIT, c 150	SA
RI086	DA63-01146A	GROMMET-MOTOR	A-TOP,NBR,-,-,-,-,ID6.5,OD42	SA
RI086	DA63-01808A	GROMMET-MOTOR	BLDC,NBR,BLACK,-,-,-,-,-,H	SA
RI087	DA63-40167A	GROMMET-COVER CHIL	T3.0,SILICON,-,-,-,-,-,	SA
RI088	DA63-00202A	GROMMET-RAIL	-,NY-6,-,-,-,-,-,-,-	SA
RI089	DA31-00020E	MOTOR DC-BLDC SENSOR	DREP3020LA,ET,0.245	SA
RI089	DA31-00020H	MOTOR DC-BLDC SENSOR	DRCP3030LA,-,-,0.259A	SA
RI093	DA61-00874A	SUPPORT-KNOB TOUCH,DISP	A-TOP,SILICON,-,-	SA
RI098	DA32-00006B	SENSOR ASSY-REF	PX-41C,A TOP,-10C~35C,5V	SA
RI150	DA31-00053A	FAN-BACKWARD	-,A-TOP,ABS,-,-,FRE	SA
RI152	DA63-00178B	COVER-SENSOR,A	'05E/T-2nd,SAN,T1.5,-,-,-,-	SA
RM001	DA59-30103J	ICE MAKER	ZIPEL DOM ET-PJT,DC12 V,-,-,-,HO	SA
RM008	DA41-20151B	PBA SUB	ZIPEL,ICE-MAKER,FR-1,54 X 29,S	SA
RM009	DA61-20139A	SPRING ETC-ICE MAKER	SR-S7180,STS304,PI5	SA
RM010	DA61-70253B	SUPPORT-ICE MAKER	SR-S6580/7080/7580,HIP	SA
RM011	DA67-40308A	TRAY-ICE	ICE-MAKER,PP,T1.0,-,-,-,-,C/ST	SA
RM012	DA66-00033B	TRAY ICE-BUCKET(ET)	ET-PJT,HIPP,-,-,-,-,-,	SA
RM016	DA60-90136A	PIN-SPIRAL	STS304,OD5.2,L40,SR-S7180,-,-	SA
RM017	DA61-00453A	FIXER-SENSOR	A-TOP,EVAP,PP,-,-,NTR,ALL	SA
RM017	DA61-00603A	FIXER-SENSOR	N-PJT,PP,-,-,-,-	SA
RO001	DA61-30102A	FOOT-FRONT	SR-F5670,PP,-,-,YEL,T0.6,-,-,ZPC2	SA
RO002	DA97-00555D	ASSY CHASSIS-COMP	A-TOP,ET,-,-,-,-,-,-,-	SA
RO003	DA63-00189G	COVER LEG-FRONT	ET-PJT,HIPS,-,-,-,-,-,NOBL	SA
RO004	2501-001186	C-OIL	5UF,350V,BK,43X55MM,15	SA
RO004	DA27-00002A	COIL-NOISE FILTER	4,+50%,-30%,38*50,-,-	SA
RO005	DA39-10115E	CBF-POWER CORD	ET-PJT,-,-,UCP-2,-,-,-,-,-,-,	SA
RO007	DA41-00185J	PBA MAIN	ET-PJT,-,-,FR-1,197*148,DISPENSE	SA
RO017	DA64-00575F	HANDLE BAR	ET-PJT,AL,-,-,-,L1587,-,-,AL(A6)	SA
RO037	DA61-01607A	HINGE-LOW FRE	10.5MM,SCP1,T4.5,-,-,T3.0,-,-	SA
RO038	DA61-01608A	HINGE-LOW REF	10.5MM,SCP1,T4.5,-,-,T3.0,-,-	SA
RO041	DA61-01874A	HINGE-UP L(ET)	TRIM-KIT,SHP1,-,-,T3.0,BLAC	SA
RO041	DA97-02292B	ASSY HINGE UPP-L(ET)	ET-PJT,Trim-kit,EXP	SA
RO042	DA97-02293B	ASSY HINGE UPP-R(ET)	ET-PJT,Trim-kit,EXP	SA
RO044	DA63-02231D	COVER HINGE-UP,L	ET-PJT,ABS,SC-02008R,No	SA
RO045	DA63-02232D	COVER HINGE-UP,R	ET-PJT,ABS,SC-02008R,No	SA
RO048	DA61-00261A	CASE PCB-PANEL	A-TOP,N-ABS,-,-,-,-,-,-	SA
RO050	DA63-00783A	COVER PCB-PANEL	A-TOP,N-ABS,-,-,-,-,-,-	SA
RO051	DA63-01609C	COVER-PCB PANEL,REAR	ET-PJT(RS21/23),PP,	SA
RO052	DA41-00173A	PBA PANEL	A-TOP LOOK,R/F 9mm 10mm,FR-4,	SA
RO058	DA67-00773B	CAP-HANDLE	A-TOP,ABS,-,-,-,-,SC-03030S,-	SA
RO058	DA67-00796B	CAP-HANDLE LOW	A-TOP,ABS,-,-,-,-,SC-03030S	SA



## Parts List

(Model Code : RS21FGRS1/XEN )

Location	Part Code	Part Name	Specification	SA/SNA
RO060	DA61-00264B	SUPPORT - HANDLE MID	A - TOP,ABS, -, -, -, SC-03	SA
RO065	DA66-00037H	TRAY DISPENSER	ET - PJT,HIPS, -, -, -, -, SC-01	SA
RO068	DA63-50207C	SHIM HINGE - LOW	-, RD - PVC,T1.0,W45, -, -, -	SA
RO074	DA61-00317D	BRACKET HINGE - LOW	ET - PJT,SHP1,T2.6, -, -, B	SA
RO075	DA97-02211B	ASSY BRACKET - HINGE LOW L	ET 50mm, -	SA
RO076	DA97-02212B	ASSY BRACKET - HINGE LOW R	ET 50mm, -	SA
RO079	DA97-00918A	ASSY PIPE CONNECT	A - TOP,SUCTION	SA
RO082	DA67-00638A	CAP - HOME BAR DOOR IN	A - TOP,SILICON, -, -, -	SA
RO087	DA62-20111B	TUBE - FITTING	POM, -, -, -, SRS6580Z,OD8.1	SA
RO088	DA74-40151F	VALVE - SOLENOID	SR - S6586B, -, -, -, -, CUBE - SN	SA
RO088	DA74-40154C	VALVE SOLENOID	-, SCP1,75.5,MIN 80GF, -, ,22	SA
RO089	DA74-40149C	VALVE WATER - ASSY	-, -, -, -, RIV - 12A - 4,220	SA
RO091	DA73-00180A	PIPE - CONNECT	ET - PJT,BRASS, -, -, -, -, EURO	SA
RO101	6501-000122	CABLE TIE	DACT - 100, -, W2.5,L101.6,NTR,NYL	SA
RO101	6501-000123	CABLE TIE	DACT - 140, -, W3.6,L146,NTR,NYLON	SA
RO108	6001-000715	SCREW - MACHINE	TH, +, -, M5,L16,ZPC(YEL),SWR	SA
RO115	DA63-00476A	COVER - PIPE - WATER	ET - PJT,PP, -, -, -, -, WHT, -	SA
RO119	DA97-00979A	ASSY COVER - PIPE WATER	ET - PJT,DISP, -, -, -, -	SA
RO128	DA61-01875A	HINGE - UP R(ET)	TRIM - KIT,SHP1, -, T3.0,BLAC	SA
RO139	DA31-00016A	FAN - CIRCUIT	-, ET - PJT, -, -, -, 12, 95, 63.	SA
RO140	DA97-00727D	ASSY HANDLE - BAR	A - TOP,A6063,,,1587,,,LON	SA
RO141	DA61-01957A	CLIP - DRYER	AD,SECC1,T0.6, -, -	SA
RQ565	DA63-02017A	GROMMET - COMP	QUEEN,EPDM, -, -, -, -, -, -	SA
RQ747	6009-001252	SCREW - SPECIAL	PH, +, -, M4.0,L20(12),ZPC(YE	SA
RQ747	DA60-00001A	SCREW - SPECIAL	HEX, -, -, -, L8.3, -, STS-304, -	SA
RS016	DA60-10107A	SCREW MACHINE	-, BSBN,M4,L10, -, +, -, -, -, EA	SA
RS021	6001-001458	SCREW - MACHINE	TH, +, M5,L21.0,PASS,STS304,	SA
RS045	DA60-10124A	SCREW - TAPPING	-, -, M6,L16,HH, -, -, -, ZPC2 - Y	SA
RS047	6002-000213	SCREW - TAPPING	TH, +, -, 1,M4,L12,ZPC(YEL),S	SA
RS059	6002-001122	SCREW - TAPPING	FH, +, 1,M4,L14,ZPC(WHT),SWR	SA
RS065	6002-001197	SCREW - TAPPING	TH, +, 1,M4,L16,SNC2(SIL),MS	SA
RS069	6002-001335	SCREW - TAPPING	BH, +, 1,M4,L12,DAC(WHT),SWR	SA
RS080	6002-000216	SCREW - TAPPING	TH, +, -, 1,M4.0,L20,ZPC(YEL)	SA
RS080	6002-000468	SCREW - TAPPING	PH, +, -, 2S,M5.0,L18,ZPC(YEL)	SA
RS080	6002-000470	SCREW - TAPPING	TH, +, -, 1,M4,L10,ZPC,SCRCH1	SA
RS080	6002-000473	SCREW - TAPPING	TH, +, 1,M4,L14, -, STS304	SA
RS080	6002-000630	SCREW - TAPPING	PH, +, -, 2S,M3,L8,ZPC(YEL),S	SA
RS080	6002-001341	SCREW - TAPPING	BH, +, -, 1,M4,L16,DAC(WHT),S	SA
RS080	6003-000003	SCREW - TAPTITE	BH, +, -, B,M4,L10,CBLACK,SWR	SA
RS080	6003-001144	SCREW - TAPTITE	BH, +, -, B,M4,L12,ZPC(WHT),S	SA
RS080	6006-001108	SCREW - TAPPING	TH, +, PW(OD15), -, M4,L16,ZPC	SA
RS080	DA60-10004A	SCREW - TAPPING	-, SGDC90/90, -, L16,HH, +, -, -	SA
RS080	DA60-10122C	SCREW - TAPPING	-, MSWR10,M5,L16,HH, -, -, -, Z	SA
RS082	6003-001435	SCREW - TAPTITE	HWH, +, S,M5,L12.7,ZPC(YEL),	SA
RS131	DA32-10105H	SENSOR - ASSY	502AT,K - PJT, - 10 ~ 35.5V,5KOHM,	SA
RW003	DA97-00259G	ASSY PIPE - SPIRAL CONDESNSER	A - TOP,SPIRAL	SA
RW057	DA61-00831A	BASE - CAP HANDLE	N - PJT,ABS, -, -, -, N.T.R, -	SA
RW065	DA31-20009A	BLADE - DISPENSER	PC, -, SR - S7240,OD113, -, T2	SA
RW069	DA31-20120D	BLADE - MOVING DISP,A	A - TOP,STS304,T2.0,47	SA
RW070	DA31-20120E	BLADE - MOVING DISP,B	A - TOP,STS304,T2.0,34	SA
RW071	DA31-20120F	BLADE - MOVING DISP,C	A - TOP,STS304,T2.0,21	SA
RW074	DA60-20008A	BOLT - HEX	SM30C, -, -, L42.6, -, -, -	SA
RW077	6011-001442	BOLT - SOCKET	M8,L15,ZPC(BLK),SCM435	SA
RW111	DA63-90008A	BUSH - SOLENOID	-, POM, -, -, -, SC - 93438R, -	SA
RW134	DA66-90112C	CAM HINGE - RISER,LOW	ZIPEL,NY - 66, -, -, BLAC	SA

# Parts List

(Model Code : RS21FGRS1/XEN )

Location	Part Code	Part Name	Specification	SA/SNA
RW137	DA66-00268A	CAM-RISER	USP-PJT,NY-66,10.5 GASKET,-,BL	SA
RW155	DA67-00143A	CAP-GUARD	ZIPEL,ABS,-,-,-,-,-	SA
RW211	DA65-20110B	CLAMP	-,NY-66,-,-,-,DN-5N,PI8.0	SA
RW223	DA60-90111A	CLIP-DOOR HOME BAR	STS430,SR-S7180,T1.5,	SA
RW257	DA63-01133A	COVER-CHUTE ICE	ET-PJT,PP,-,-,-,-,-,SNOW	SA
RW275	DA63-02212A	COVER-MULTI AIR,GUIDE(ET)	ET,HIPS,-,-,-,-,-	SA
RW303	DA63-00586A	COVER-TUBE FILTER	ZIPEL,PP,T2.0,-,-,-,-,SC	SA
RW349	DA63-01869A	GASKET-COVER ICE,ROUTE	ET-PJT,SILICON,T1	SA
RW358	DA66-90003A	GEAR-SOLENOID	POM,-,-,-,-,-,SC-93438R	SA
RW389	DA63-00951C	GROMMET-DRAIN HOSE	V2-PJT,NBR,-,-,-,-,-,-	SA
RW395	DA63-00789A	GROMMET-FIXER HANDLE	EXP,PC-ABS,-,-,-,-,-,-	SA
RW431	DA71-70163B	GUIDE ICE	R2-PJT,ABS,-,-,-,-,WHITE,ICE-MAK	SA
RW446	DA71-70003A	GUIDE-ICE DISPENSER	-,PC/ABS,-,-,-,-,-,-	SA
RW520	DA64-00085B	KNOB-MOISTURE CONTROL(ET)	ET-PJT,HIPS,Co	SA
RW535	DA66-30145A	LEVER-CUBE	MSWR10,-,G-PJT,EPC3,DISPENSER	SA
RW554	DA60-30108A	NUT-HEX	HEX,-,-,-,-,POM,-,AURGER	SA
RW555	6021-001125	NUT-HEXAGON	3,M8, P1.25,ZPC(BLK),SWRCH10	SA
RW595	DA70-20017A	PLATE-D/AUGER DISP	-,STS304,-,L127XD14.4	SA
RW606	DA61-00549A	PLATE-FAN MOTOR,ASSY	ET-PJT,HIPS,T1.0,W2	SA
RW608	DA70-20160C	PLATE-FRONT DISP	ZIPEL,STS304,T1.0,-,-,-,-	SA
RW654	DA73-00216A	RUBBER-COVER GUARD	ET-PJT,SILICON,-,WHIT	SA
RW661	DA65-20107A	SADDLE-SOLENOID	-,NY-6,-,-,SR-S7180,-	SA
RW664	6009-001255	SCREW-HEX	SWRCH18A,-,HEX-PLANGE,HEX,M6,L	SA
RW700	DA61-60001A	SLIDER-SOLENOID DISP	-,POM,-,-,-,-,-,-	SA
RW706	DA61-00565A	SPRING ETC-COVER ICE,ROUTE	A-TOP,STS304,	SA
RW709	DA61-20124A	SPRING ETC-DISPENSER	SR-S7180,STS304,PI0	SA
RW711	DA61-20138A	SPRING ETC-DOOR HOME BAR	SR-S7180,STS304	SA
RW712	DA61-20141A	SPRING ETC-DOOR HOME BAR	SR-S7180,STS304	SA
RW716	DA61-20128A	SPRING ETC-FAN	-,STS304,PI7.8,-,OD1.0,-,-	SA
RW735	DA61-20140A	SPRING ETC-SOLENOID	SR-S7180,STS304,PI7.	SA
RW736	DA61-00338A	SPRING ETC-WATER LEVER DISP	A-TOP,STS304	SA
RW747	DA61-00415A	SUPPORT-CIRCUITE MOTOR	A-TOP,ABS SCRAP,-	SA
RW759	DA61-70254A	SUPPORT-GASKET	ICE-MAKER,NBR,T2.0,-,-,-,-,-	SA
RW776	DA61-70234A	SUPPORT-TIME DELAY	SR-S7180,HIPS,-,-,-,-,-,-	SA
RW782	DA34-00011A	SWITCH-MICRO	VP533A-OF-5,MICRO,250V,15A,	SA
RW829	DA67-40250E	TRAY-UTILITY	SR-S7185.7335,GPPS,-,-,-,-,-,-	SA
RW885	DA64-00214A	TRIM-COVER EVAP	-,SOFT-PVC+ABS,-,-,-,L62,S	SA
RW902	DA62-20001P	TUBE PVC	ZIPEL,-,-,-,-	SA
RW904	DA62-20001R	TUBE PVC	V2-PJT,GASKET SCRAP,T1.0,-,L21	SA
RW915	DA74-00070A	VALVE-FITTING-NUT	ET-PJT,CU,-,-,-,-,-,-	SA
RW919	DA60-40116A	WASHER-PLAIN	-,ID20,OD28,T0.5,-,-,-,-,STS4	SA
RW944	DA39-00083A	WIRE HARNESS-SUB	-,EXP,-,-,-,-,FULL,-,-,-,-	SA
RW958	0203-000399	TAPE-TEFLON	-,T0.05,W13,ROLL,WHT,-	SA
RW959	6502-000112	CABLE CLAMP	DA-8N,ID13.2,T1.0,NYLON6/6,N	SA
RW960	DA72-60040D	SEAL CUTT-RUBBER	-,POLYBUTILENE,-,-,-,-,-,-	SA
RW961	DA72-60348A	SEAL-FOAM PE	SR-S7180,FOAM-PE,BLK,T30,-,-	SA
	DA39-00084B	WIRE HARNESS-COMP	-,EXP,-,-,-,-,COMP,NOT	SA
	DA63-00219H	COVER SWITCH- H/B	A-TOP,ABS,-,-,-,-,-,SC	SA
	DA63-40171B	GROMMET-SUCT PIPE A	-,NBR,OD20,ID4,L20,-	SA
	DA63-40171D	GROMMET-SUCT PIPE B	RAIL L19.5,NR,-,OD20	SA
	DA71-00163A	FIXER-NUT	ZIPEL,STS420,T1,-,CLIP,STS420-	SA
	DA71-20207A	FIXER-VALVE WATER A	SR-S7180,NY-6,OD7.8	SA
	DA71-20208A	FIXER-VALVE WATER B	SR-S7180,NY-6,OD6.1	SA
	DA73-10190L	PIPE-CONNECT-DISC A	SR-L35,32,C1220T-0,-	SA
	DA73-10190M	PIPE-CONNECT DISC B	SR-L35,32,C1220T-0,-	SA

**Parts List**

(Model Code : RS21FGRS1/XEN )

Location	Part Code	Part Name	Specification	SA/SNA
	DA97-00904A	ASSY COVER-GUARD	ET-PJT,50mm,,,,,,,,,	SA
	DA97-01760A	ASSY HINGE LOW L	A-TOP,DISPESNER,10.5 Ga	SA
	DA97-01763A	ASSY HINGE LOW R	A-TOP,BASIC,10.5 Gasket	SA
	DA97-02245A	ASSY COVER-DOOR RECESS(ET)	ET-PJT,-,-,-,	SA