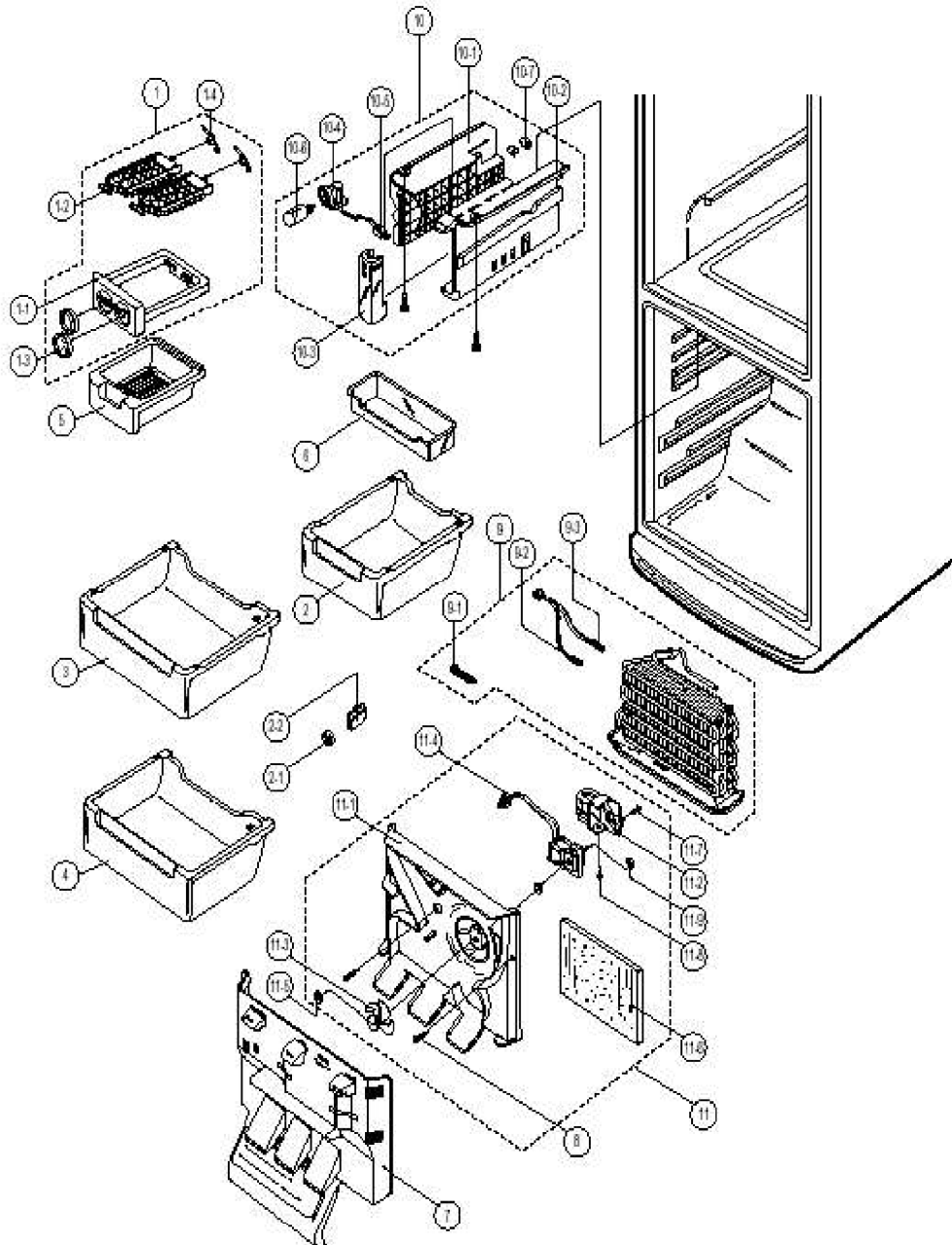
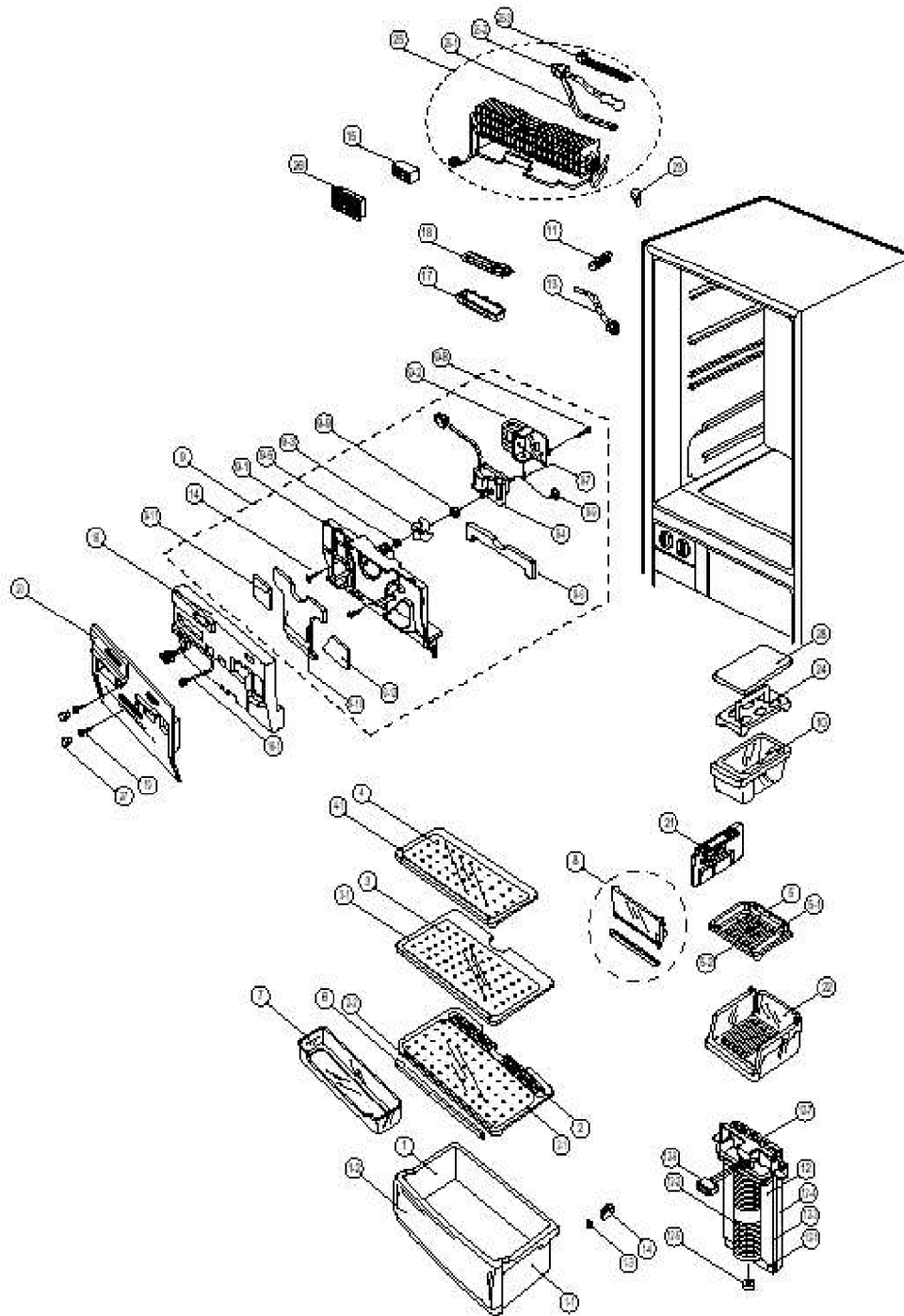


8. Part List

1. Freezer



2. Refrigeration room



4. Cabinet parts & unit

