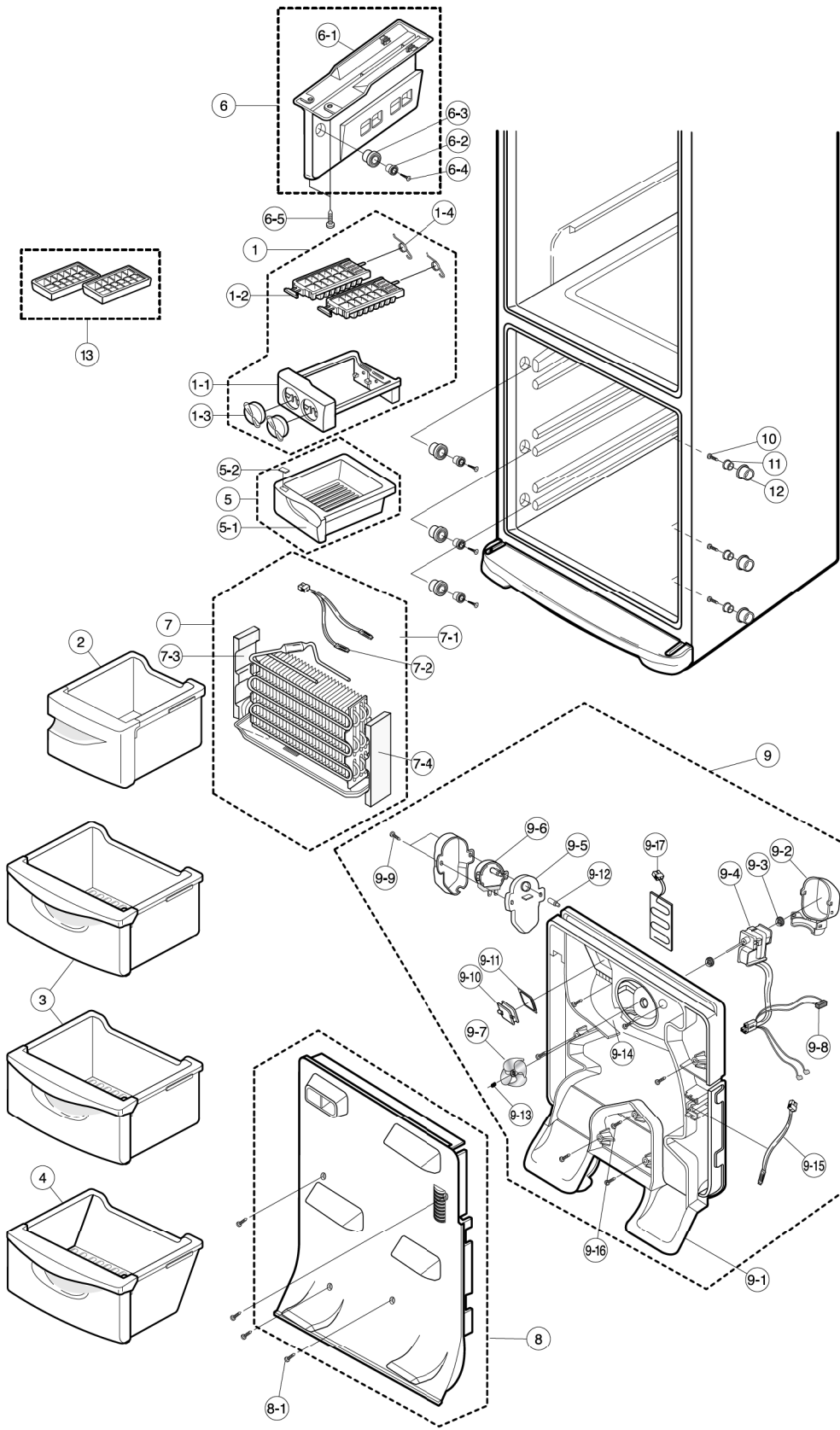
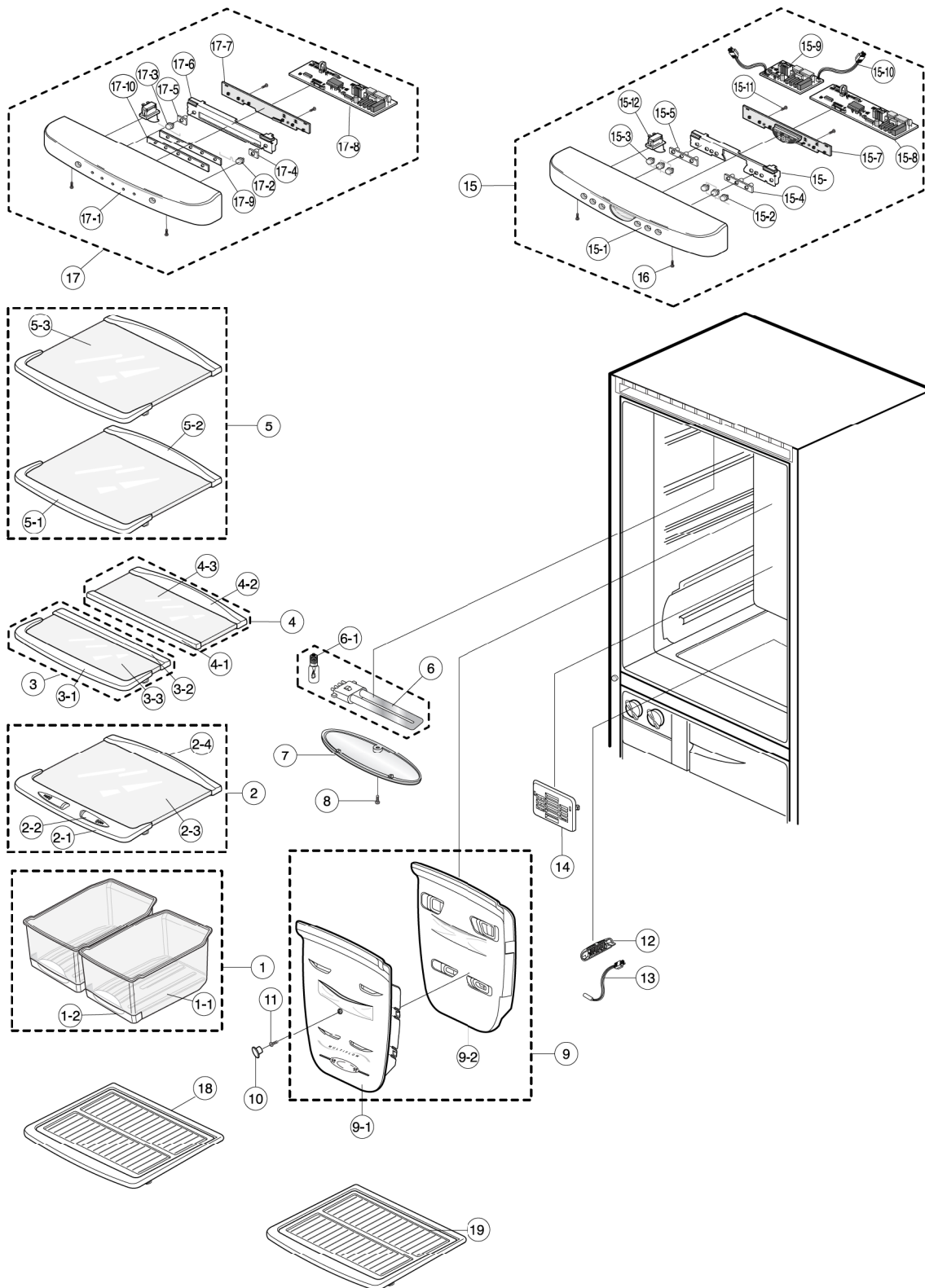


# 10. Parts List

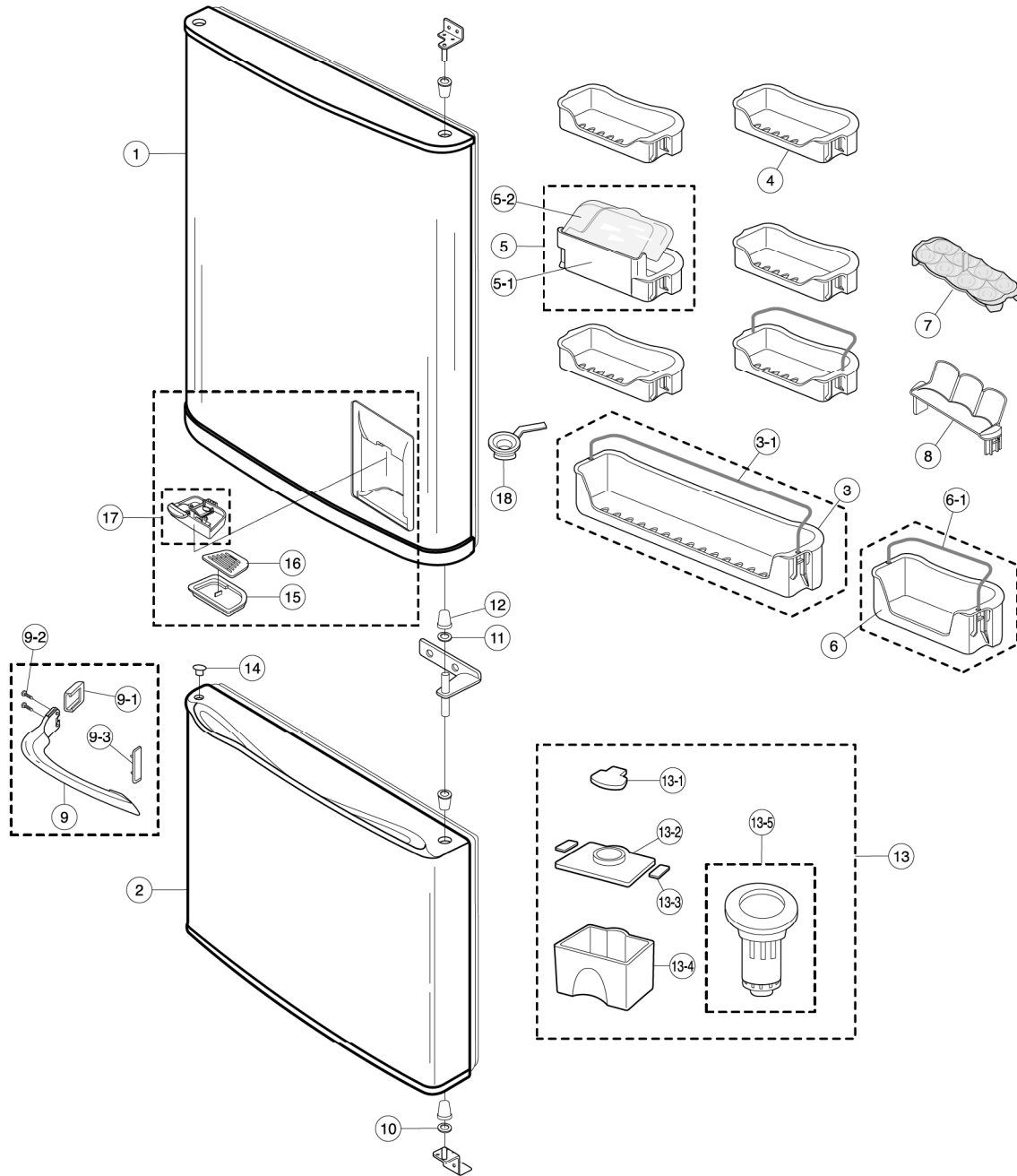
## 10-1. Freezer Compartment



## 10-2. Refrigerator Compartment



# 10-3. Door



---

## 10-4. Cabinet Parts & Unit

---

