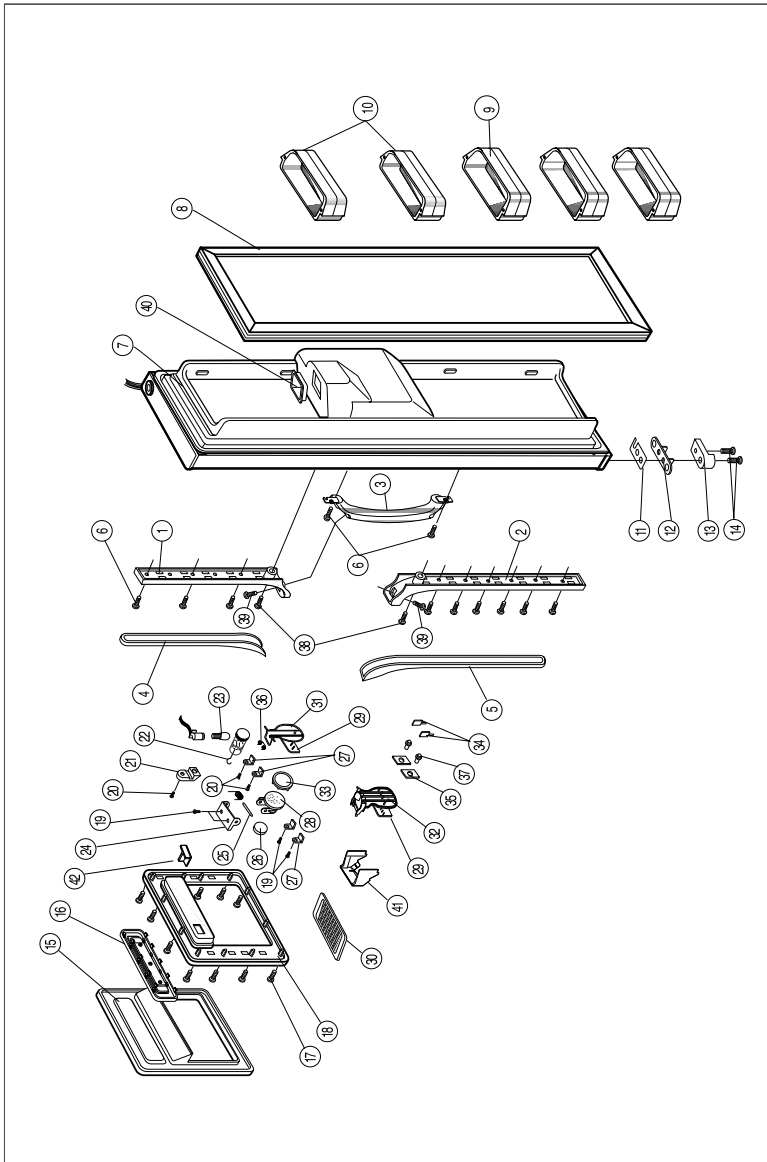


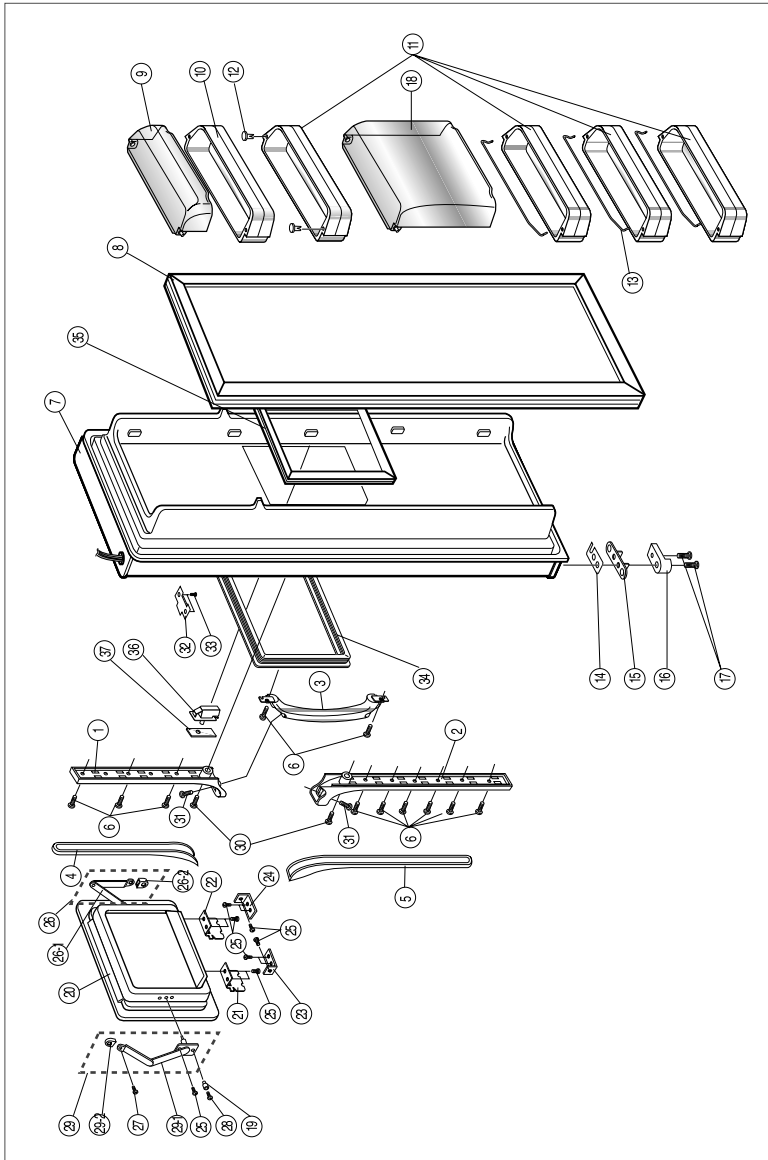
15-6 Door Parts List of Freezing Compartment (SR-S24FTA)



■Freezing Door Components List (SR-S24FTA)

No	Code-No	Items	Specifications	QTY	Remarks
1	DA64-10465A	HANDLE-BASE FRE UPP	Au coated	1	
2	DA64-10464A	HANDLE-BASE FRE LOW	Au coated	1	
3	DA64-10463A	HANDLE	POLY URETHANE	1	
4	DA64-10469A	HANDLE-TRIM FRE UPP	ABS	1	
5	DA64-10468A	HANDLE-TRIM FRE LOW	ABS	1	
6	6002-000213	SCREW(NORMAL)-TAPPING	M4×12	11	
7	DA91-10268A	ASS'Y-FOAM DOOR FRE	FTA	1	
8	DA63-30231A	GASKET-DOOR FRE ASS'Y	RD-PVC	1	
9	DA63-20270A	GUARD-FRE	ABS	3	
10	DA63-20273B	GUARD-FRE UPP	ABS	2	
11	DA63-50187B	SHIM-RISER	RD-PVC T2.0	1	
12	DA71-40150A	STOPPER-DOOR	SM45C T3.0	1	
13	DA66-90112A	CAM-HINGE	POM	1	
14	6001-000716	SCREW-MACHINE	MSWR10+M5×16	2	
15	DA63-10951B	COVER-TRIM RECFS	ABS	1	
16	DA63-10962F	COVER-CONTROL FRE ASS'Y	FTA	1	
17	6002-000213	SCREW-TAPPING	1S 4 × 12TH	11	
18	DA64-20102B	TRIM-RECESS DISP	ABS Au coated	1	
19	6002-000471	SCREW-TAPPING	TH M4 × 12 STS 304	6	
20	6002-000213	SCREW-TAPPING	1S 4 × 12TH	1	
21	DA61-70234A	SUPT-TIME DILAY	HIPS, BLK	1	
22	DA92-90023A	ASS'Y AIR PUMP	SR-S7185	1	
23	4713-000186	LAMP-INCANDESCENT	220V/10W	1	
	4713-000195	LAMP-INCANDESCENT	240V/10W	1	
	4713-001078	LAMP-INCANDESCENT	110V/130V/9W/11W	1	
24	DA71-50209A	BRACKET-COVER, ICE ROUTE	STS 304	1	
25	DA60-90112A	PIN-SPECIAL	STS 304	1	
26	DA72-60367A	SEAL-FOAM LEX	T-BOARD	1	
27	DA71-50208A	BRACKET-SCREW	STS 304	4	
28	DA63-10759B	COVER-ICE ROUTE	HIPS	1	
29	DA66-30001B	LEVER DISPENSER, SUB	SILICON	2	
30	DA64-90124B	GRILL-RECESS	ABS	1	
31	DA66-30114B	LEVER-DISP(WATER)	ABS Au coated	1	
32	DA66-30113B	LEVER-DISP (ICE)	ABS Au coated	1	

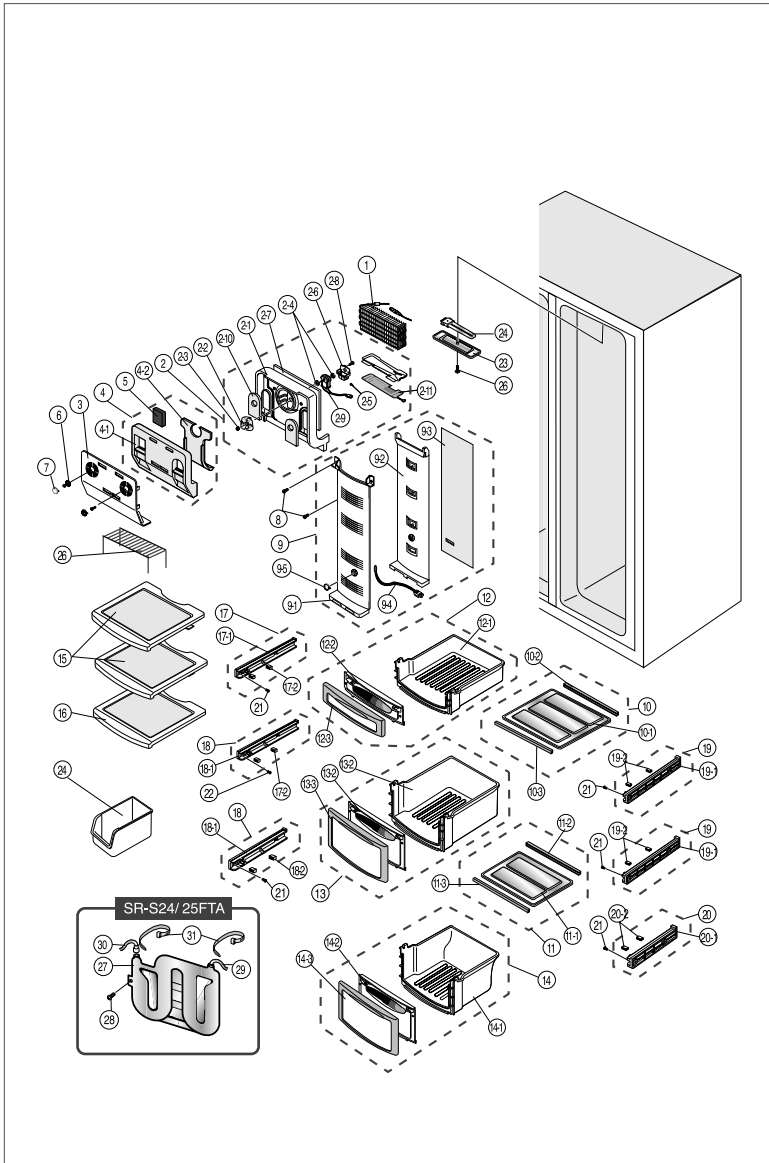
15-8 Refrigerating Door Parts (SR-S24FTA)



■Refrigerating Door Parts List (SR-S24FTA)

No	Code-No	Items	Specifications	QTY	Remarks
1	DA64-10467A	HANDLE-BASE REF UPP	Au coated	1	
2	DA64-10466A	HANDLE-BASE REF LOW	Au coated	1	
3	DA64-10463A	HANDLE	POLY URETHANE	1	
4	DA64-10471A	HANDLE-TRIM REF UPP	ABS	1	
5	DA64-10470A	HANDLE-TRIM REF LOW	ABS	1	
6	6002-000213	SCREW-TAP	M4 × 12	11	
7		ASS'Y-FOAM DOOR REF	SR-S24FTA	1	
8	DA63-30232A	GASKET-DOOR FRE ASS'Y	SF-PVC	1	
9	DA63-10925B	COVER-GUARD	GPPS	1	
10	DA63-20272A	GUARD-REF UPP	ABS	1	
11	DA63-20271A	GUARD-REF LOW	ABS	1	
12	DA67-30343A	CAP-GUARD	General PP	2	
13	DA71-70162A	GUIDE-BOTTLE REF	PIPE Cr coated	3	
14	DA63-50187B	SHIM-HINGE RISER	RD-PVC T2.0	2	
15	DA71-40120A	STOPPER-DOOR	SM45C T3.0	1	
16	DA66-90112A	CAM-HINGE	POM	1	
17	6001-000716	SCREW-MACHINE	MSWR10 + M5 × 16	2	
18	DA63-10952B	COVER-DOOR RECESS, A	GPPS	1	
19	DA71-40138A	STOPPER-HOME BAR	NY-66	2	
20	DA91-10192C	ASS'Y-HOME BAR FOAM	SR-S24FTA	1	
21	DA61-10198A	HINGE-HOME BAR		1	
22	DA61-10199A	HINGE-HOME BAR		1	
23	DA63-40185A	GROMMET-HINGE	STS 304	1	
24	DA63-40184A	GROMMET-HINGE	STS 304	1	
25	DA60-10110A	SCREW-SPECIAL, C	STS M7	12	
26	DA66-90123A	ARM-HOME BAR ASS'Y, L		1	
26-1	DA66-90123A	ARM-HOME BAR		1	
26-2	DA67-30271A	CAP-HOME BAR ARM	NY-66	2	
27	DA60-10108A	SCREW-SPECIAL, A	STS M7	2	
28	DA60-10109A	SCREW-SPECIAL, B	STS M7	2	
29	DA66-90122A	ARM-HOME BAR ASS'Y, R		1	
29-1	DA66-90122A	ARM-HOME BAR		1	
29-2	DA67-30271A	CAP-HOME BAR ARM	NY-66	2	
30	6002-000468	SCREW TAPPING	M5 × 18	2	

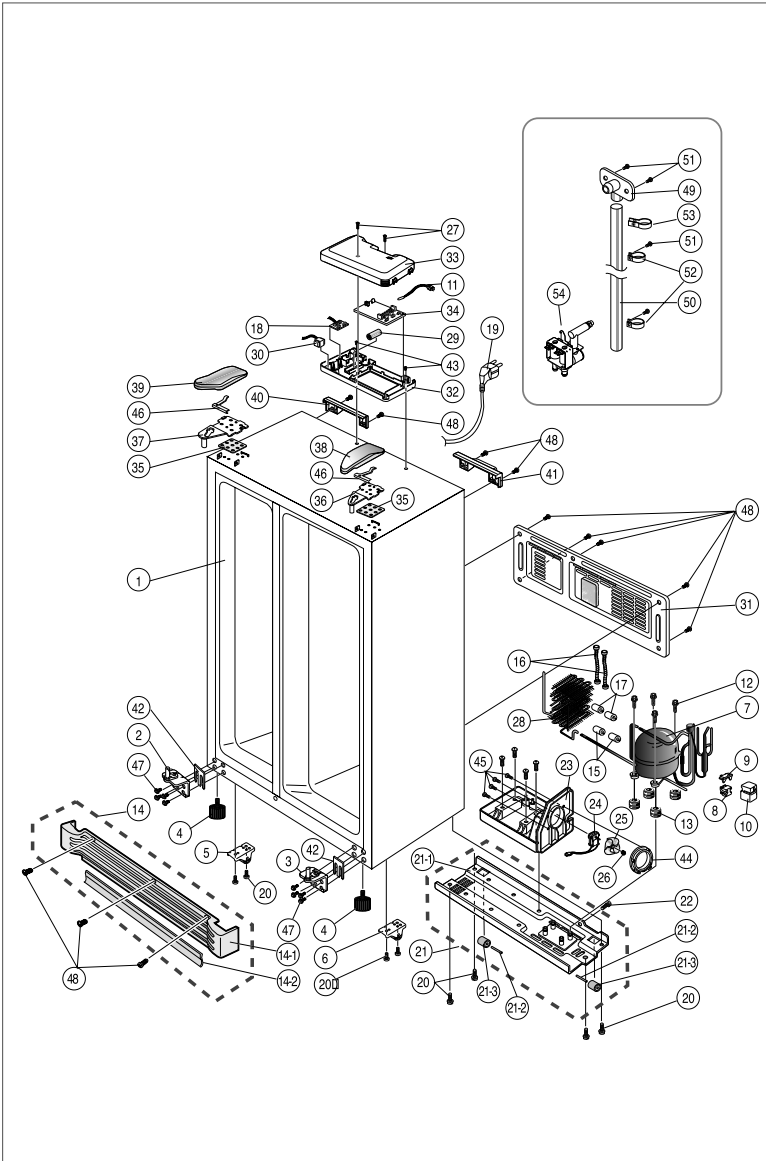
15-10) Refrigerating Compartment (SR-S25/26NTA, SR-S24/25FTA)



■Parts List of Refrigerating Compartment (SR-S25/26NTA)

No	Code-No	Items	Specifications	QTY	Remarks
1	DA59-40210A	EVAPORATOR-REF ASS'Y	220V/50, 60Hz/90W	1	
	DA59-40210B	EVAPORATOR-REF ASS'Y	240V/50Hz/90W	1	
	DA59-40210E	EVAPORATOR-REF ASS'Y	127V/60Hz/90W	1	
	DA59-40210C	EVAPORATOR-REF ASS'Y	115V/60Hz/90W	1	
2	DA63-10957G	COVER-EVAP REAR ASS'Y(REF)	220V/50, 60Hz	1	
	DA63-10957L	COVER-EVAP REAR ASS'Y(REF)	240V/50Hz	1	
	DA63-10957K	COVER-EVAP REAR ASS'Y(REF)	127V/60Hz	1	
	DA63-10957J	COVER-EVAP REAR ASS'Y(REF)	115V/60Hz	1	
2-1	DA63-10943A	COVER-EVAP REAR, REF	PP(NTR)	1	
2-2	DA31-20103A	FAN	ABS φ90	1	
2-3	DA61-20128C	SPRING-FAN	STS27 ID1.0 P17.8	1	
2-4	DA63-40119A	GROMMET-FAN MOTOR	NBR	2	
2-5	DA72-60042A	SEAL-CUTT RUBBER	NBR	1	
2-6	DA63-10364A	COVER-MOTOR	PP	1	
2-7	DA72-60377A	SEAL-CUTT FOAM LEX(REF)	FOAM-LEX + AL	1	
2-8	6002-000471	SCREW-TAPPING	TH 4×12 STS 304	1	
	DA31-10109B	MOTOR-FAN	220V/50,60Hz,AMRHB-008WTEB	1	
	DA31-10109F	MOTOR-FAN	240V/60Hz, AMRHB-008UVEB	1	
	DA31-10109W	MOTOR-FAN	127V/60Hz, AMRHB-008ZREB	1	
DA31-10109D	MOTOR-FAN	115V/60Hz, AMRHB-008ZQEB	1		
2-10	DA72-60390A	SEAL-CUTT FOAM LEX(REF)	FOAM-LEX	2	
2-11	DA47-20200A	HEATER-P CORD, REF	220V/35W	1	
	DA47-20200B	HEATER-P CORD, REF	240V/35W	1	
	DA47-20200D	HEATER-P CORD, REF	127V/35W	1	
	DA47-20200C	HEATER-P CORD, REF	115V/35W	1	
2-12	DA70-20186A	PLATE-EVAP BOTT, REF	AL T0.8	1	
3	DA63-10944C	COVER-EVAP FRONT(REF)	PP(SC-93437R)	1	
4	DA72-40463A	INS-ASS'Y(EVAP FRONT)	FOAM-PS	1	
4-1	DA72-40446A	INS(EVAP FRONT)	FOAM-PS	1	
4-2	DA72-40451A	INS(EVAP REAR)	FOAM-PS	1	
5	DA02-90106F	CATALIST-LTC	NTA	1	
6	6002-000471	SCREW-TAPPING	TH4×12 STS 304	2	
7	DA63-10939A	COVER-PURIFER	ABS	2	
8	6002-000215	SCREW-TAP, TH	TH4×12 ZPC	2	

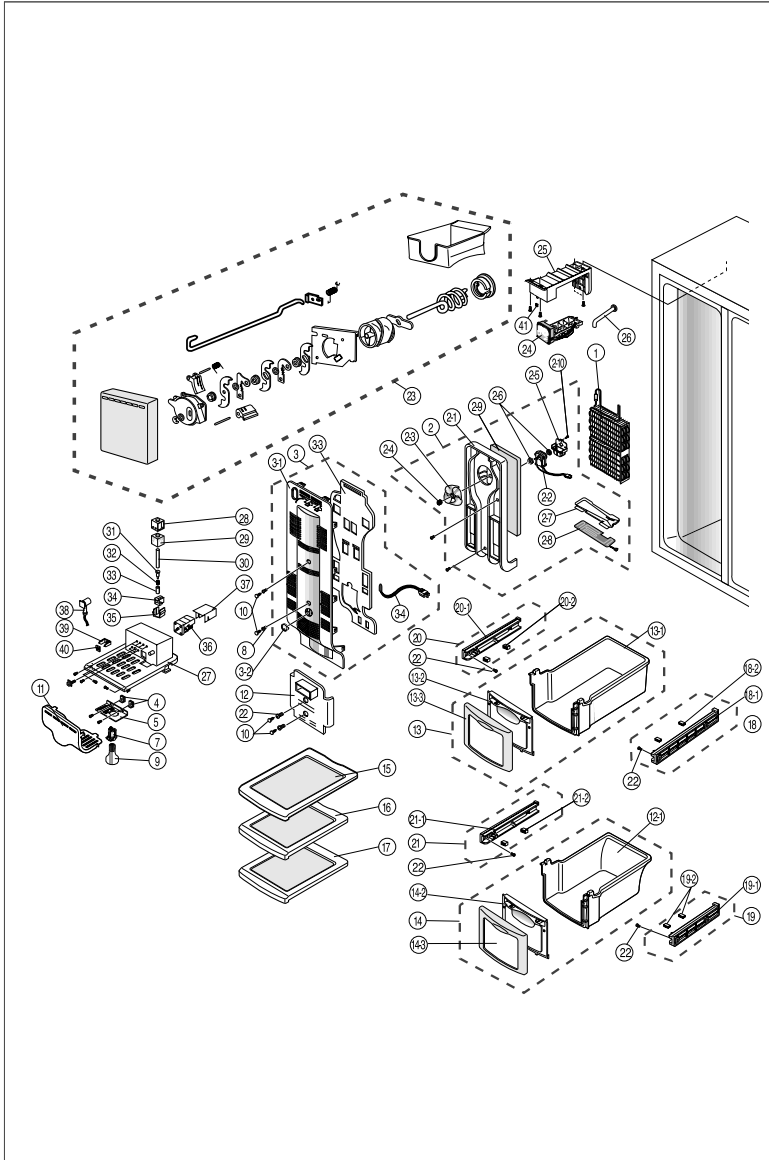
15-11) CABINET PARTS



■CABINET Components List

No	Code-No	Items	Specifications	QTY	Remarks
1		ASS'Y CABI FOAM	NTA	1	
		ASS'Y CABI FOAM	FTA	1	
2	DA61-10234C	HINGE-LOW ASS'Y, L	SHP1, T4.5	1	
3	DA61-10235B	HINGE-LOW ASS'Y, R	SHP1, T4.5	1	
4	DA61-30102B	FOOT-FRONT	PP, ZPC2	2	
5	DA61-40123A	CASTER-FRONT ASS'Y, L	NTA	1	
6	DA61-40123B	CASTER-FRONT ASS'Y, R	NTA	1	
7	SK190H-L2U	COMPRESSOR	220V/50, 60Hz	1	
	SK190Q-L2U	COMPRESSOR	240V/50Hz	1	
	SK182P-L2W	COMPRESSOR	120V/60Hz	1	
	SK182C-L2W	COMPRESSOR	115V/60Hz	1	
8	DA34-10003O	O/L-PROTECTOR	4TM 314RHBY-53,(220V/50,60Hz)	1	
	DA34-10003K	O/L-PROTECTOR	4TM 232SHBY-53,(240V/50Hz)	1	
	DA34-10003P	O/L-PROTECTOR	4TM 444NHBY-53,(115V/127V)	1	
9	DA35-10003L	RELAY-PTC	PTHAS-T220M350D,(220V/50Hz)	1	
	DA35-10003D	RELAY-PTC	PTHAS-T330M385D,(240V/50Hz)	1	
	DA35-10003H	RELAY-PTC	PTHAS-T100M200B,(110V/127V)	1	
10	DA63-10352A	COVER-RELAY	BLK, T2.0	1	
11	DA32-10105F	SENSOR-ASS'Y	502AT, TEMP CAP TYPE	1	
12	DA60-20008A	BOLT-HEX	SM30C, L42.6	1	
13	DA63-40165A	GROMMET-COMP	NBR, BLK	4	
14	DA63-10978A	COVER-TRAY, WATER ASS'Y	NTA	4	
14-1	DA63-10927A	COVER-TRAY, WATER	PP, T2.5	1	
14-2	DA64-20138E	TRIM-PLATE, ABSORBER	PVC, L768	1	
15	DA63-40171D	GROMMET-SUCT PIPE	NR, BLK	1	
16	DA74-30131A	DRAIN-HOSE	LD-PE	2	
17	DA63-40171B	GROMMET-SUCT PIPE	NR, BLK	2	
18	DA41-20152A	PBA-SUB	220V/50~60Hz	1	
	DA41-20147A	PBA-SUB	240V/50Hz	1	
	DA41-20160A	PBA-SUB	127V/60Hz	1	
	DA41-20148A	PBA-SUB	105V/50~60Hz	1	
19		POWER-CORD	OPTION	1	
20	DA60-10124A	SCREW-TAP TITE	M6X16	8	
21	DA71-60192A	CHASSIS-COMP ASS'Y	NTA	1	

15-12) Freezing Compartment (SR-S24/25FTA)



■Freezing Components List(SR-S24/25FTA)

No	Code-No	Items	Specifications	QTY	Remarks
1	DA59-40211A	EVAP-FRE ASS'Y	220V/50,60Hz/200W	1	
	DA59-40211B	EVAP-FRE ASS'Y	240V/50Hz/20W	1	
	DA59-40211F	EVAP-FRE ASS'Y	127V/60Hz/200W	1	
	DA59-40211C	EVAP-FRE ASS'Y	115V/60Hz/200W	1	
2	DA63-10955K	COVER-EVAP REAR ASS'Y	220V/50,60Hz	1	
	DA63-10955G	COVER-EVAP REAR ASS'Y	240V/50Hz	1	
	DA63-10955L	COVER-EVAP REAR ASS'Y	127V/60Hz	1	
	DA63-10955J	COVER-EVAP REAR ASS'Y	115V/60Hz	1	
2-1	DA63-10934A	COVER-EVAP REAR, FRE	ABS SCRAP	1	
2-2	DA31-10109K	MOTOR-FAN	220V/50, 60Hz, AMRHB-010WTEC	1	
	DA31-10109X	MOTOR-FAN	240V/50Hz, RHB-010UVEEC	1	
	DA31-10109U	MOTOR-FAN	115V-127V/60Hz, RHB-010ZQNC	1	
2-3	DA31-20110A	FAN	ABS ø 110	1	
2-4	DA61-20128A	SPRING-FAN	STS27 ID1.0 PI 7.8	1	
2-5	DA63-10459A	COVER-MOTOR	PP	1	
2-6	DA63-40119A	GROMMET-FAN MOTOR	NBR	2	
2-7	DA70-20185A	PLATE-EVAP BOTT, FRE	AL T0.6	1	
2-8	DA47-20198A	HEATER P-CORD(F)	220V/30W	1	
	DA47-20198B	HEATER P-CORD(F)	240V/30W	1	
	DA47-20198D	HEATER P-CORD(F)	127V/30W	1	
	DA47-20198C	HEATER P-CORD(F)	115V/30W	1	
2-9	DA72-60384A	SEAL-CUTT FOAM LEX(FRE)	FOAM-LEX +AL	1	
2-10	6002-000471	SCREW-TAPPING	TH 4×12 STS 304	1	
3	DA63-10956F	COVER-EVAP FRONT ASS'Y(FRE)	FTA	1	
3-1	DA63-10935E	COVER-EVAP FRONT, FRE	PP(SC-93437R)	1	
3-2	DA63-10936A	COVER-SENSOR	ABS	1	
3-3	DA72-60385B	SEAL-FOAM PE(FRE)	FOAM-PE	1	
3-4	DA32-10104F	SENSOR-ASS'Y(FRE)	502AT	1	
4	DA63-40260A	GROMMET-BRACKET(LAMP)	NBR	2	
5	DA60-10106A	SCREW-TAPPING	TWH+2S 4×16 STS 304	2	
6	DA71-50182A	BRACKET-CONTROL	SECC-P	1	
7	DA47-40001B	LAMP-HOLDER ASS'Y	PBT	1	
8	6002-000215	SCREW-TAP, TH	TH 4×16 ZPC	2	
9	4713-000194	LAMP	220V/60W	1	