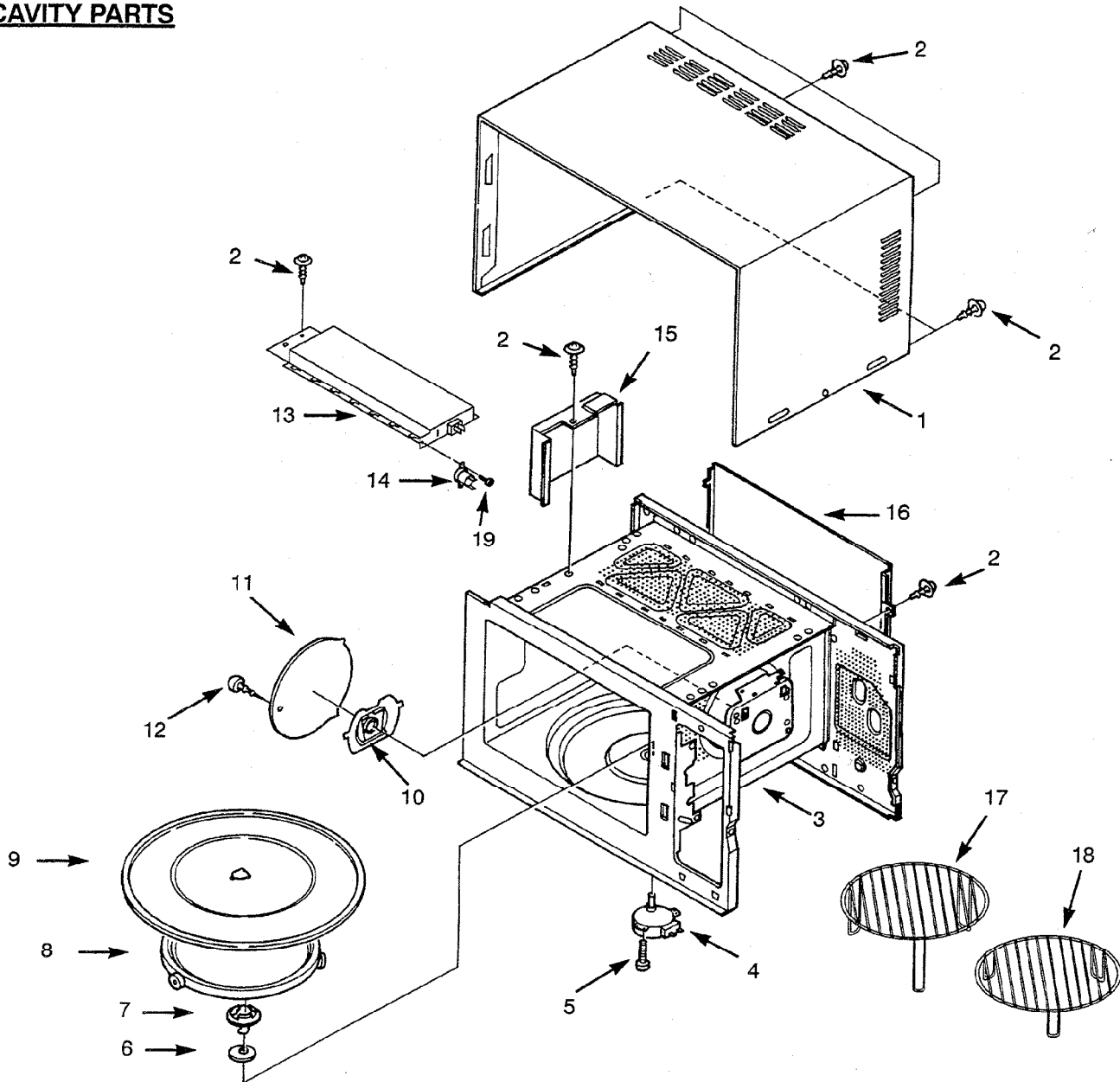


**8. EXPLODED VIEW AND PARTS LIST
CAVITY PARTS**

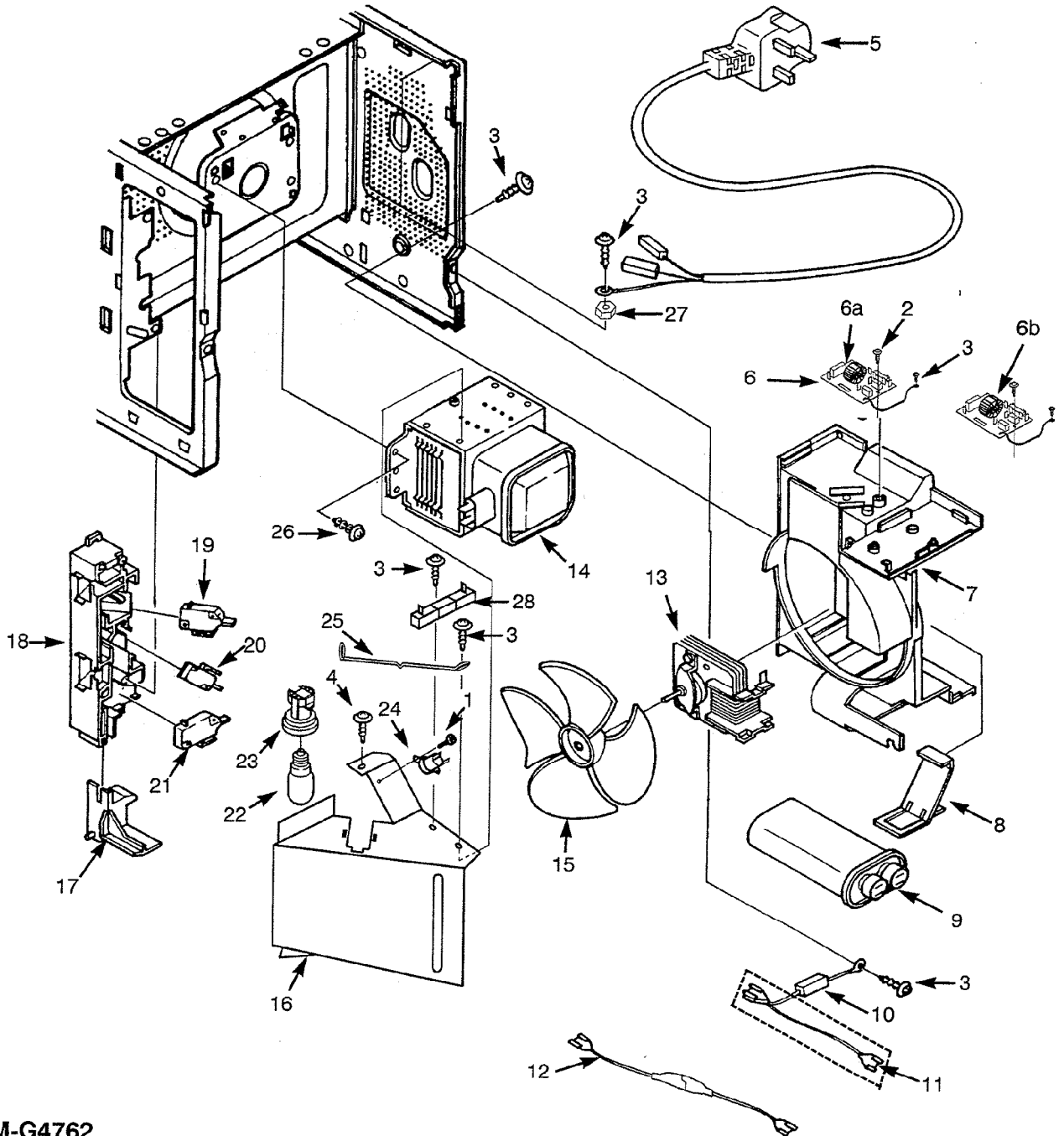


EM-G4762

Key No.	Part No.	Description	Q'ty
1	617 188 0595	Cabinet	1
2	411 156 5601	SCR TPG PAN+F+S 4x10	7
3	617 221 2814	Cavity	1
4	617 123 9928	Gear Motor	1
5	411 001 6005	SCR S-TPG PAN 4x8	2
6	617 080 5315	Special Washer	1
7	617 144 4476	Turntable Shaft	1
8	617 155 2386	Roller	1
9	617 167 1421	Glass Tray	1
10	617 177 3156	Antenna Complete	1
11	617 169 8930	Cavity Cover	1
12	412 037 5901	SCR TPG TRS 4x6K	1

Key No.	Part No.	Description	Q'ty
13	617 221 0025	Heater Complete	1
14	617 202 4554	Thermostat, 150°C	1
15	617 167 0431	Duct	1
16	617 169 6875	Frame Rear Plate	1
17	617 166 2153	Cook Net	1
18	617 170 5058	Cook Net	1
19	411 010 5600	SCR EVR PAN 3x6	1

SWITCHES AND MICROWAVE PARTS

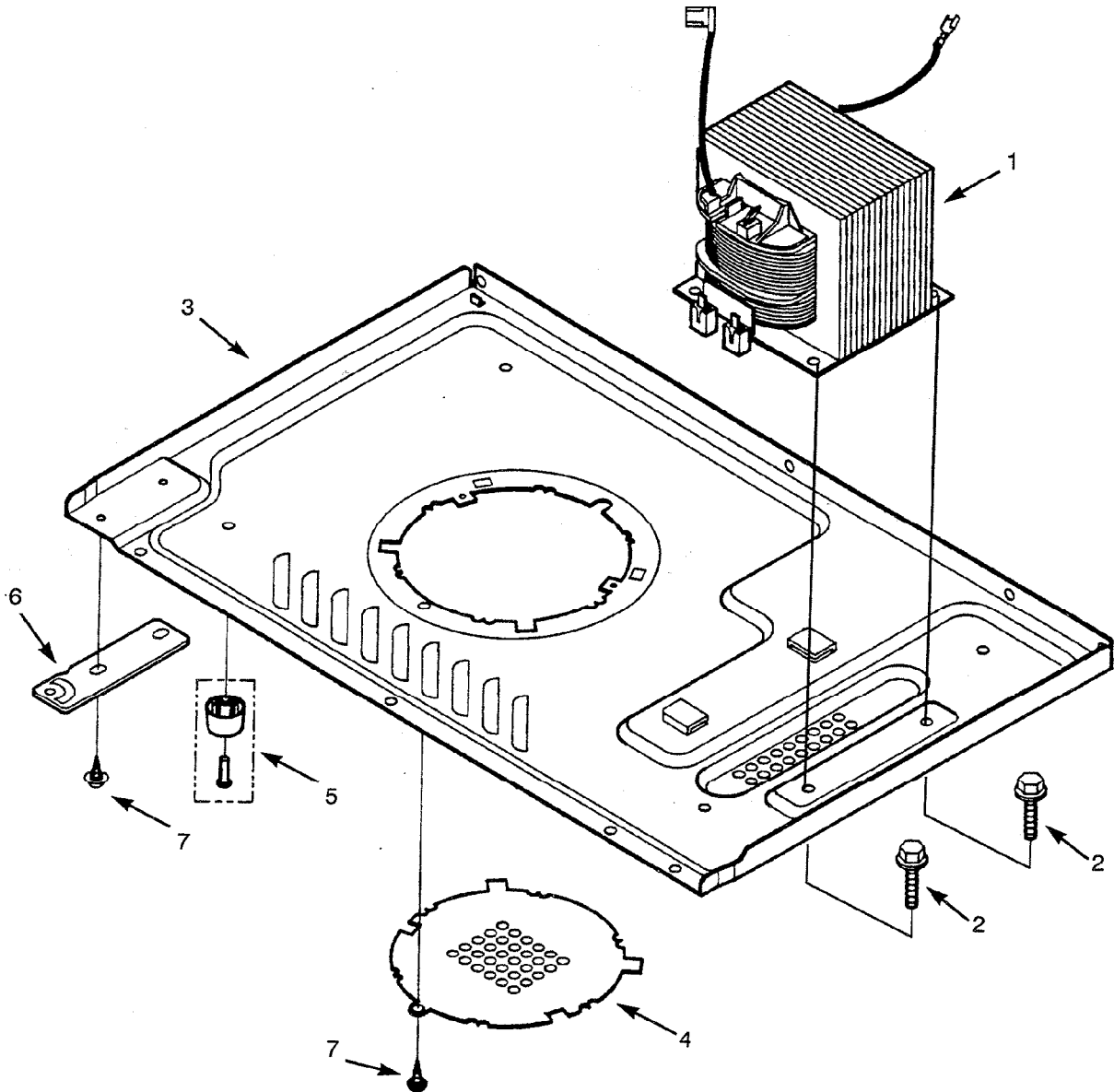


EM-G4762

Key No.	Part No.	Description	Q'ty
1	411 010 5600	SCR EVR PAN 3x6	1
2	411 156 5601	SCR TPG PAN+F+S 4x10	1
3	411 156 5502	SCR S-TPG PAN+F+S 4x10	6
4	411 171 9004	SCR TPG TRS+FLG 3x8	1
5	617 220 4925	Power Supply Cord	1
6	617 179 0746	PCB Complete	1
6a	617 232 3558	PCB Complete(soldered fuse)	1
6b	423 027 8802	Fuse	1
7	617 167 0417	Space Partition	1
8	617 162 2041	Capacitor Band	1
9	617 213 1849	Capacitor 1.14uF	1
10	617 182 6548	Diode Ass'y	1
11	617 167 0561	Lead Wire Ass'y	1
12	617 213 4819	HV Fuse	1
13	617 167 0592	Blower Motor	1
14	415 002 5005	Magnetron	1
15	617 112 1025	Fan	1

Key No.	Part No.	Description	Q'ty
16	617 220 1764	Duct	1
17	617 124 1181	Latch Lever	1
18	617 167 5627	Lever Stopper	1
19	617 220 4529	Door Sensing Switch	1
20	617 220 4536	Interlock Monitor Switch	1
21	617 220 4529	Primary Interlock Switch	1
22	617 149 3009	Lamp 250V 25W	1
23	617 119 3480	Lamp Socket	1
24	617 202 4561	Thermostat V122°C	1
25	617 220 1757	Stay Plate	1
26	617 218 9673	Special Screw	4
27	411 004 5609	NUT HEX M4	1
28	402 071 0703	Ceramic Resistor	1

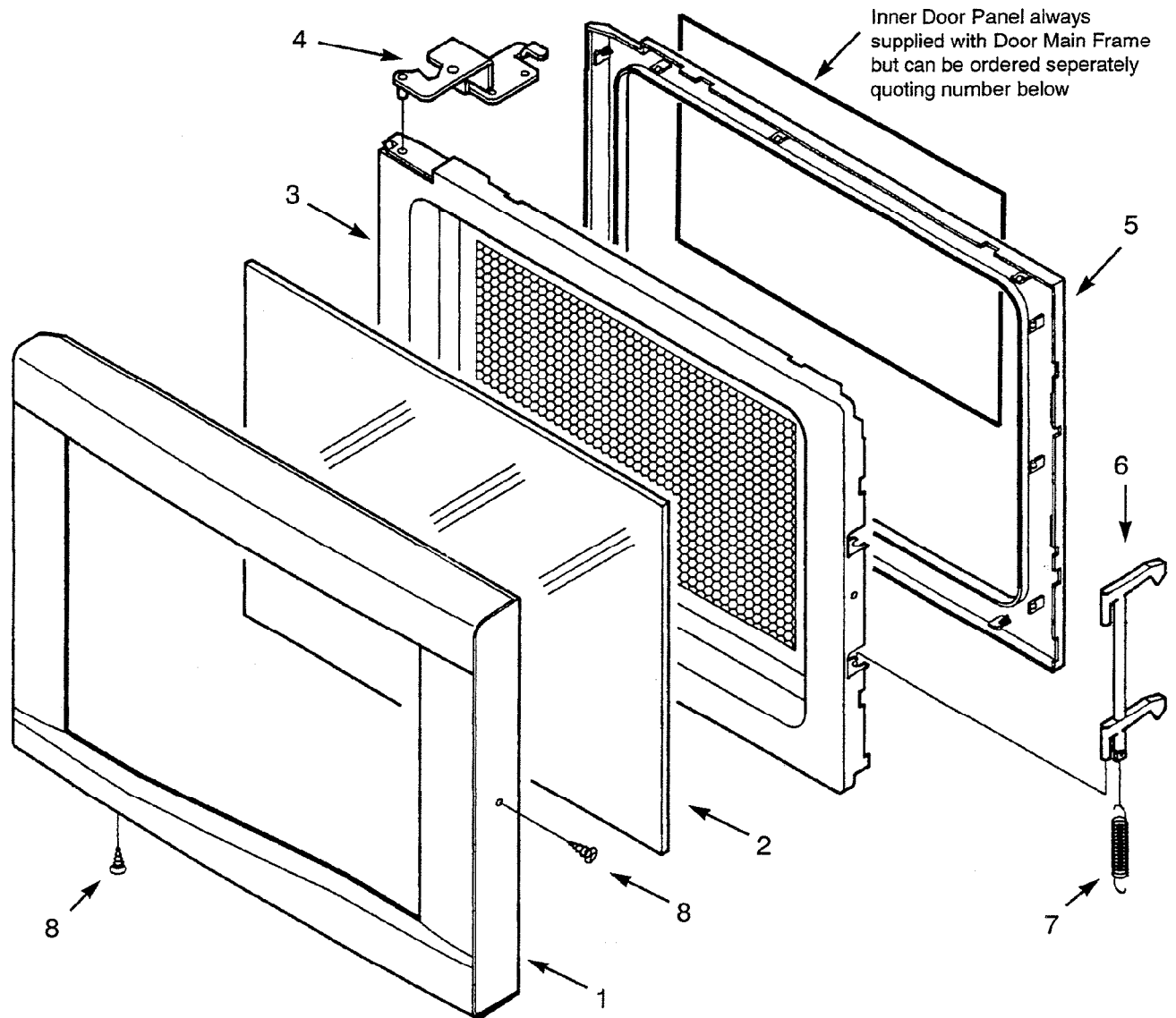
MICROWAVE PARTS



EM-G4762

Key No.	Part No.	Description	Q'ty
1	617 209 4557	Transformer	1
2	617 225 1721	Special Screw	2
3	617 220 7957	Bottom Plate	1
4	-----	Gear Motor Cover	1
5	617 144 5435	Foot Cushion Assembly	4
6	617 166 7493	Bottom Hinge	1
7	411 156 5602	SCR S-TPG PAN+F+S 4x10	3

DOOR PARTS

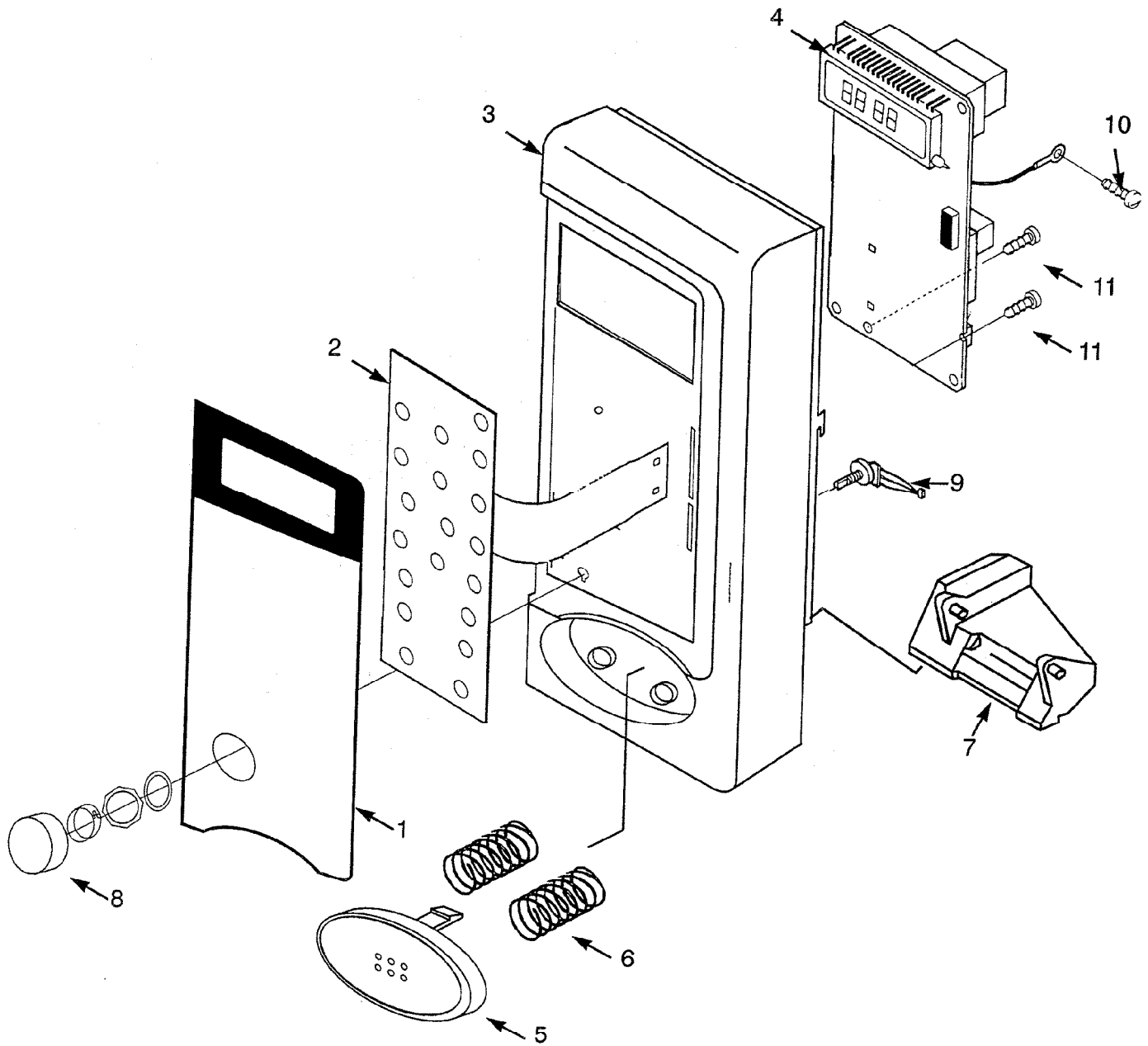


EM-G4762

Key No.	Part No.	Description	Q'ty
1	617 246 0956	Door Cover	1
2	617 169 6806	Glass Door Panel	1
3	617 169 6790	Door Main Frame(Supplied with inner Door Panel)	1
*	617 144 2472	Glass Inner Door Panel	1
4	617 167 0189	Hinge	1
5	617 167 1292	Choke Dielectric	1
6	617 101 1487	Door Latch	1
7	617 101 1494	Spring	1
8	411 071 9104	SCR TPG FLT 3x8	2
*	617 246 0949	Door Ass'y	1

NB. Please refer to the detailed instructions for door setting on page 14 of the service manual before changing, adjusting or repairing these parts.

CONTROL PANEL PARTS



EM-G4762

Key No.	Part No.	Description	Q'ty
1	617 246 0987	Control Sheet	1
2	617 218 0304	Touch Keyboard	1
3	617 218 0113	Control Frame	1
4	617 222 6781	PCB Complete	1
5	617 218 0168	Door Release Lever	1
6	617 188 3329	Spring	1
7	617 135 8407	Latch Lever	1
8	617 198 5146	Knob Assembly	1
9	617 197 4836	PCB Complete	1
10	411 156 5502	SCR S-TPG PAN+F+S4x10	1
11	411 064 2709	SCR TPG BIN 3x14	2

Key No.	Part No.	Description	Q'ty
*	617 246 1014	Operating Instructions	1
*	617 246 1021	Operating Instructions	1
*	617 221 7420	Carton Box	1

* These items not illustrated