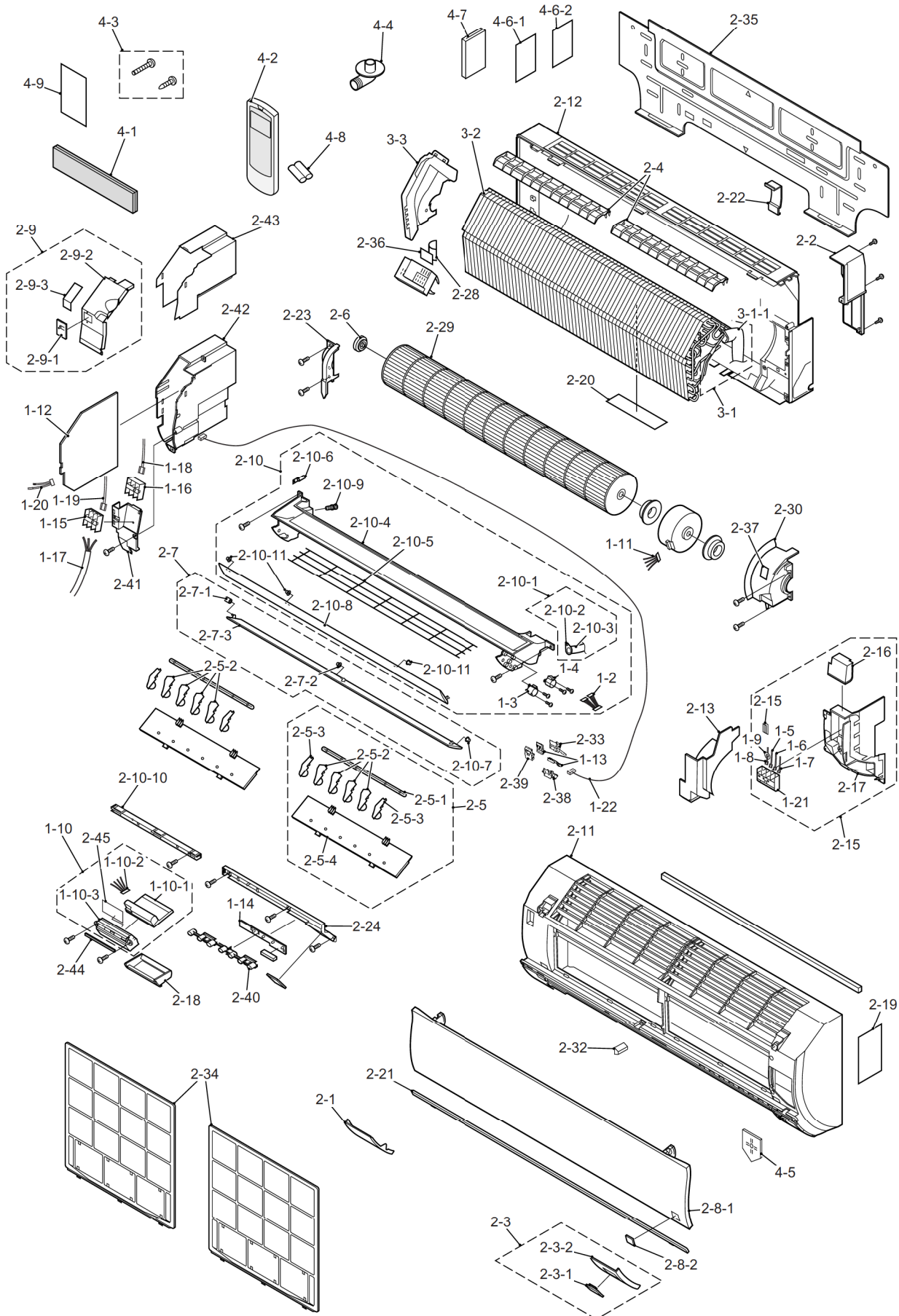


[1] INDOOR UNIT PARTS



[3] OUTDOOR UNIT PARTS

